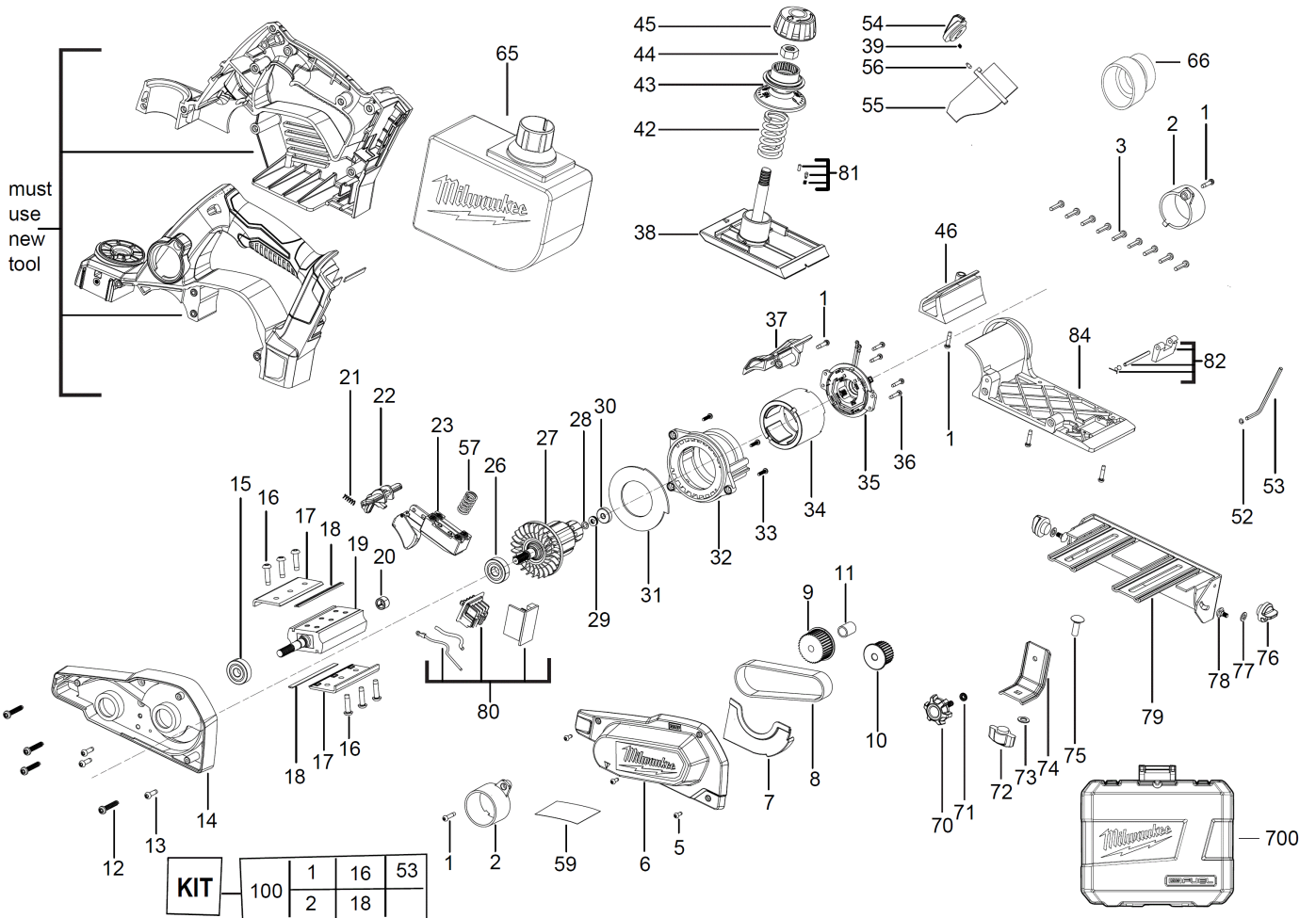


M18BP-0 BATTERY PLANER XXX

4933451113 - M18BP-0 - 4000452626



must
use
new
tool



| Position | Quantity | Description | Part number | EAN |
|----------|----------|------------------------------------|-------------|---------------|
| 0001 | 6 | SCREW | 660031017 | 4002395825189 |
| 0002 | 2 | ADAPTOR | 4931453000 | 4002395170654 |
| 0003 | 9 | SCREW | 06827470 | 4002395773367 |
| 0005 | 3 | SCREW | 4931436265 | 4002395253418 |
| 0006 | 1 | HOUSING COVER | 4931453001 | 4002395170661 |
| 0007 | 1 | GUIDE | 4931453002 | 4002395170678 |
| 0008 | 1 | BELT | 4931453003 | 4002395170685 |
| 0009 | 1 | PULLEY | 4931453004 | 4002395170692 |
| 0010 | 1 | PULLEY | 4931453005 | 4002395171309 |
| 0011 | 1 | BUSHING | 4931453006 | 4002395171316 |
| 0012 | 4 | SCREW | 4931436250 | 4002395253449 |
| 0013 | 3 | SCREW | 4931435150 | 4002395859948 |
| 0014 | 1 | HOUSING COVER | 4931453007 | 4002395171323 |
| 0015 | 1 | BEARING | 4931453008 | 4002395171330 |
| 0016 | 6 | SCREW | 4931453009 | 4002395171347 |
| 0017 | 2 | ANGLE CLAMPING GRIP | 4931453010 | 4002395171354 |
| 0018 | 1 | REVERSIBLE BLADES Planer BI 82 P2M | 4932273484 | 4002395300150 |
| 0019 | 1 | CUTTING HEAD | 4931453011 | 4002395171361 |
| 0020 | 1 | NEEDLE BEARING | 4931453012 | 4002395171378 |
| 0021 | 1 | SPRING WASHER | 672029001 | 4002395848683 |
| 0022 | 1 | BUTTON | 4931453013 | 4002395171385 |
| 0023 | 1 | SWITCH | 760245005 | 4002395830022 |
| 0026 | 1 | BALL BEARING | 02041020 | 4058546068028 |
| 0027 | 1 | ARMATURE | 4931453014 | 4002395171392 |
| 0028 | 1 | WASHER | 902206001 | 4002395824113 |
| 0029 | 1 | WASHER | 902207002 | 4002395895007 |
| 0030 | 1 | BEARING | 4931453015 | 4002395168606 |
| 0031 | 1 | AIR FLOW PLATE | 513100000 | |
| 0032 | 1 | MOTOR HOUSING | 4931453017 | 4002395168620 |
| 0033 | 3 | SCREW | 4931453018 | 4002395168637 |
| 0034 | 1 | ELECTRIC FIELD | 4931454080 | 4002395287550 |
| 0035 | 1 | CARBON BRUSH SET | 4931453019 | 4002395168644 |
| 0036 | 4 | SCREW | 660851001 | 4002395823239 |
| 0037 | 1 | GUIDE ELEMENT | 513100000 | |
| 0038 | 1 | GLIDING SHOE | 4931453021 | 4002395168668 |
| 0039 | 1 | SPRING | 4931453022 | 4002395168675 |
| 0042 | 1 | SPRING | 4931453023 | 4002395168682 |
| 0043 | 1 | ADJUSTING BUTTON | 4931453024 | 4002395168699 |
| 0044 | 1 | HEXAGON NUT | 4931453025 | 4002395169306 |
| 0045 | 1 | CAP | 4931453026 | 4002395169313 |
| 0046 | 1 | AIR GUIDE | 4931453027 | 4002395169320 |
| 0052 | 1 | O-RING | 513100000 | |
| 0053 | 1 | KEY | 4931453029 | 4002395169344 |
| 0054 | 1 | TURNING KNOB | 4931453030 | 4002395169351 |
| 0055 | 1 | ADAPTOR | 4931453031 | 4002395169368 |
| 0056 | 1 | KNOB | 4931453032 | 4002395169375 |
| 0057 | 1 | PRESSURE SPRING | 4931408243 | 4002395814466 |
| 0059 | 1 | RATING PLATE | 4931453033 | 4002395169382 |
| 0065 | 1 | DUST BAG | 4931453034 | 4002395169399 |
| 0066 | 1 | DUST EXTR.CONNECTOR | 4931453035 | 4002395170005 |

| Position | Quantité | Désignation | Référence | EAN |
|-----------------|-----------------|--------------------------|------------------|---------------|
| 0070 | 1 | KNOB | 4931453036 | 4002395170012 |
| 0071 | 1 | RING | 4931453037 | 4002395170029 |
| 0072 | 1 | KNOB | 4931453038 | 4002395170036 |
| 0073 | 1 | WASHER | 4931453039 | 4002395170043 |
| 0074 | 1 | ADJUSTING PLATE | 4931453040 | 4002395170050 |
| 0075 | 1 | SCREW | 4931453041 | 4002395170067 |
| 0076 | 2 | KNOB | 4931453042 | 4002395170074 |
| 0077 | 2 | WASHER | 4931453043 | 4002395170081 |
| 0078 | 2 | SCREW | 4931453044 | 4002395170098 |
| 0079 | 1 | GUIDE RAIL | 4931453045 | 4002395170708 |
| 0080 | 1 | ELECTRONIC ELEMENT | 4931453046 | 4002395170715 |
| 0081 | 1 | ASSEMBLY KIT | 4931453047 | 4002395170722 |
| 0082 | 1 | ASSEMBLY KIT | 4931453048 | 4002395170739 |
| 0084 | 1 | ASSEMBLY KIT | 4931453050 | 4002395170753 |
| 0100 | 1 | Planer Re-work Kit M18BP | 4931453696 | 4002395274758 |
| 0700 | 1 | CARRYING CASE | 4931453051 | 4002395170760 |