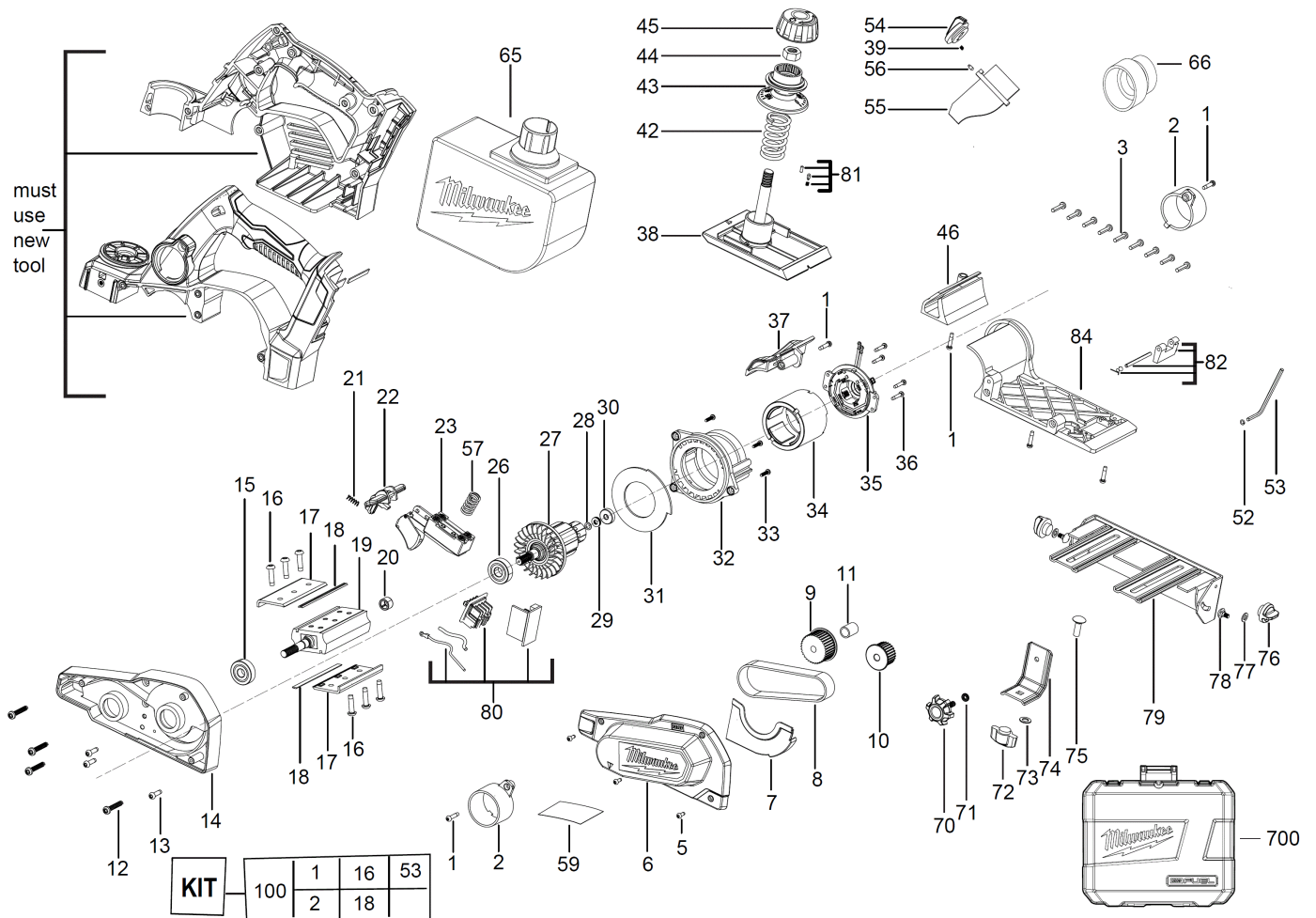


M18BP-402C BATTERY PLANER IN2

4933451114 - M18BP-402C IN2 - 4000452626



must use new tool



KIT	100	1	16	53
		2	18	



Position	Quantity	Description	Part number	EAN
0001	6	SCREW	660031017	4002395825189
0002	2	ADAPTOR	4931453000	4002395170654
0003	9	SCREW	06827470	4002395773367
0005	3	SCREW	4931436265	4002395253418
0006	1	HOUSING COVER	4931453001	4002395170661
0007	1	GUIDE	4931453002	4002395170678
0008	1	BELT	4931453003	4002395170685
0009	1	PULLEY	4931453004	4002395170692
0010	1	PULLEY	4931453005	4002395171309
0011	1	BUSHING	4931453006	4002395171316
0012	4	SCREW	4931436250	4002395253449
0013	3	SCREW	4931435150	4002395859948
0014	1	HOUSING COVER	4931453007	4002395171323
0015	1	BEARING	4931453008	4002395171330
0016	6	SCREW	4931453009	4002395171347
0017	2	ANGLE CLAMPING GRIP	4931453010	4002395171354
0018	1	REVERSIBLE BLADES Planer BI 82 P2M	4932273484	4002395300150
0019	1	CUTTING HEAD	4931453011	4002395171361
0020	1	NEEDLE BEARING	4931453012	4002395171378
0021	1	SPRING WASHER	672029001	4002395848683
0022	1	BUTTON	4931453013	4002395171385
0023	1	SWITCH	760245005	4002395830022
0026	1	BALL BEARING	02041020	4058546068028
0027	1	ARMATURE	4931453014	4002395171392
0028	1	WASHER	902206001	4002395824113
0029	1	WASHER	902207002	4002395895007
0030	1	BEARING	4931453015	4002395168606
0031	1	AIR FLOW PLATE	513100000	
0032	1	MOTOR HOUSING	4931453017	4002395168620
0033	3	SCREW	4931453018	4002395168637
0034	1	ELECTRIC FIELD	4931454080	4002395287550
0035	1	CARBON BRUSH SET	4931453019	4002395168644
0036	4	SCREW	660851001	4002395823239
0037	1	GUIDE ELEMENT	513100000	
0038	1	GLIDING SHOE	4931453021	4002395168668
0039	1	SPRING	4931453022	4002395168675
0042	1	SPRING	4931453023	4002395168682
0043	1	ADJUSTING BUTTON	4931453024	4002395168699
0044	1	HEXAGON NUT	4931453025	4002395169306
0045	1	CAP	4931453026	4002395169313
0046	1	AIR GUIDE	4931453027	4002395169320
0052	1	O-RING	513100000	
0053	1	KEY	4931453029	4002395169344
0054	1	TURNING KNOB	4931453030	4002395169351
0055	1	ADAPTOR	4931453031	4002395169368
0056	1	KNOB	4931453032	4002395169375
0057	1	PRESSURE SPRING	4931408243	4002395814466
0059	1	RATING PLATE	4931453033	4002395169382
0065	1	DUST BAG	4931453034	4002395169399
0066	1	DUST EXTR.CONNECTOR	4931453035	4002395170005

Position	Quantité	Désignation	Référence	EAN
0070	1	KNOB	4931453036	4002395170012
0071	1	RING	4931453037	4002395170029
0072	1	KNOB	4931453038	4002395170036
0073	1	WASHER	4931453039	4002395170043
0074	1	ADJUSTING PLATE	4931453040	4002395170050
0075	1	SCREW	4931453041	4002395170067
0076	2	KNOB	4931453042	4002395170074
0077	2	WASHER	4931453043	4002395170081
0078	2	SCREW	4931453044	4002395170098
0079	1	GUIDE RAIL	4931453045	4002395170708
0080	1	ELECTRONIC ELEMENT	4931453046	4002395170715
0081	1	ASSEMBLY KIT	4931453047	4002395170722
0082	1	ASSEMBLY KIT	4931453048	4002395170739
0084	1	ASSEMBLY KIT	4931453050	4002395170753
0100	1	Planer Re-work Kit M18BP	4931453696	4002395274758
0700	1	CARRYING CASE	4931453051	4002395170760
	2	M18B4 LI-ION BATTERY PACK 4.0AH XXX	4932430063	4002395377244