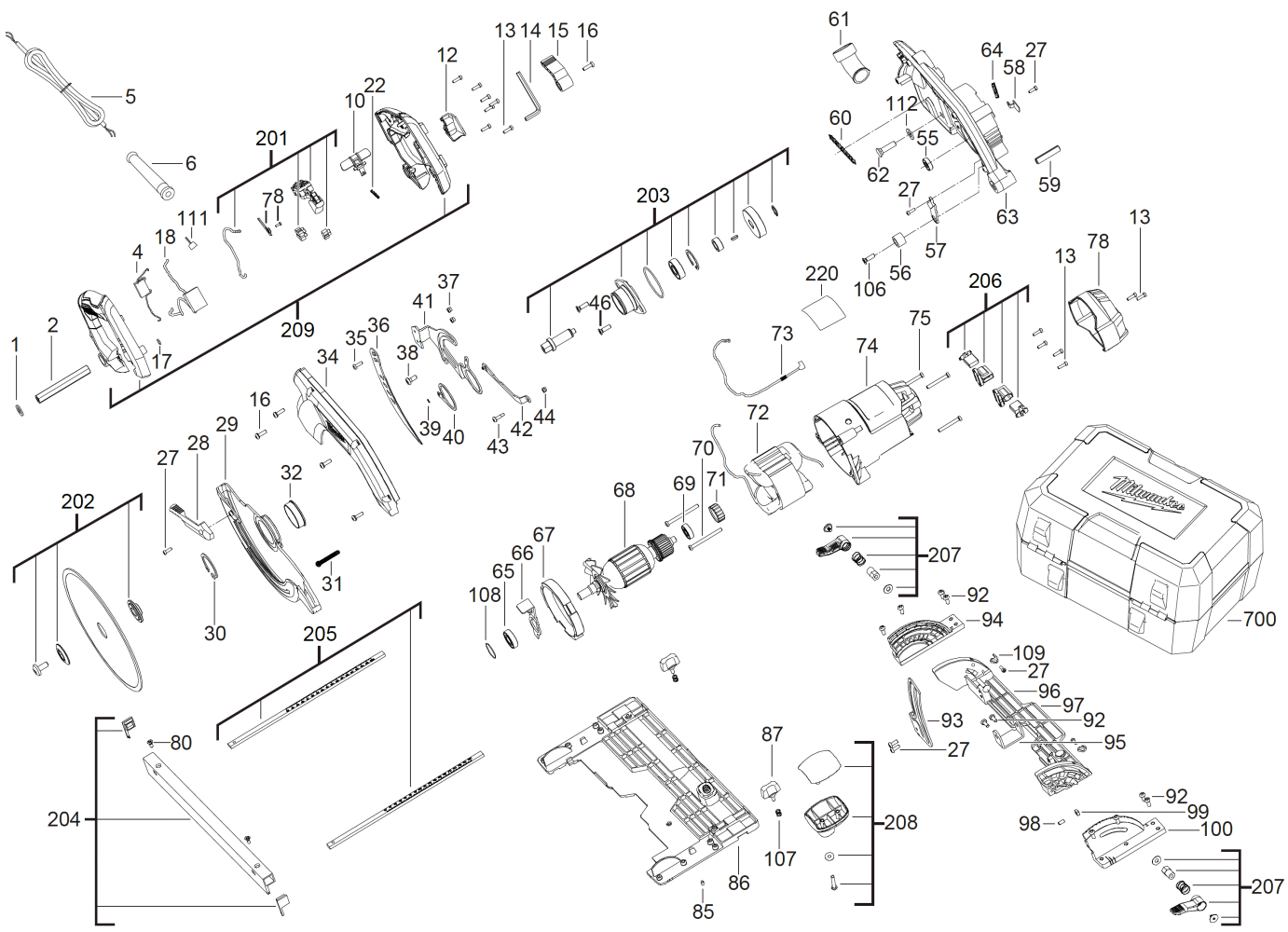


# CS85CBE CIRCULAR SAW IN2

4933451116 - CS85CBE IN2 - 4000458632





Position	Quantity	Description	Part number	EAN
0001	1	WASHER	4931431103	4002395853694
0002	1	GUIDE BAR	4931454194	4002395285082
0004	1	CAPACITOR	4931454746	4058546013639
0005	1	POWER CORD	4931454196	4002395285709
0006	1	CABLE ENTRY SLEEVE	4931454747	4058546013646
0007	1	RETAINING PLATE	4931454200	4002395285747
0008	1	SCREW	4931454201	4002395285754
0010	1	TRIGGER	4931454202	4002395285761
0012	1	CAP	4931454203	4002395285778
0013	13	SCREW	4931454205	4002395285792
0014	1	WRENCH	4931454206	4002395286409
0015	1	KNOB	4931454207	4002395286416
0016	5	SCREW	4931454208	4002395286423
0017	1	O-RING	4931454209	4002395286430
0018	1	SOFT START	4931454210	4002395286447
0022	1	SPRING	4931454212	4002395286461
0027	7	SCREW	4931454213	4002395286478
0028	1	SWING LEVER	4931454214	4002395286485
0029	1	SAFTY GUARD	4931454215	4002395286492
0030	1	CIRCLIP	4931454216	4002395283705
0031	1	SPRING	4931454217	4002395283712
0032	1	COVER	4931454218	4002395283729
0034	1	SAFTY GUARD	4931454219	4002395283736
0035	2	BOLT	4931454748	4058546013653
0036	1	SPLITTING WEDGE	4931454749	4058546013660
0037	2	NUT	4931454750	4058546013677
0038	1	SCREW	4931454896	4058546020705
0039	1	WASHER	4931454752	4058546013691
0040	1	COVER PLATE	4931454753	4058546013707
0041	1	HOLDING DEVICE	4931454754	4058546013714
0042	1	HOLDER	4931454755	4058546013721
0043	1	SCREW	4931454756	4058546013738
0044	1	NUT	4931454757	4058546013745
0046	2	SCREW	4931454220	4002395283743
0055	1	BALL BEARING	4931454221	4002395283750
0056	1	RUBBER BUFFER	4931454222	4002395283767
0057	1	COVER	4931454223	4002395283774
0058	1	COVER PLATE	4931454224	4002395283781
0059	1	HOLDING PIN	4931454225	4002395283798
0060	1	SPRING	4931454758	4058546013752
0061	1	DIRECT.DUST CHUTE	4931454226	4002395284405
0062	1	FASTENING BOLT	4931454227	4002395284412
0063	1	GEAR BOX ASSY	4931454897	4058546020712
0064	1	SPRING	4931454229	4002395284436
0065	1	BALL BEARING	4931454230	4002395284443
0066	1	SPINDLE LOCK	4931454231	4002395284450
0067	1	FAN HOUSING	4931454232	4002395284467
0068	1	MOTOR ASSEMBLY	4931454233	4002395284474
0069	1	BALL BEARING	4931454235	4002395284498
0070	2	SCREW	4931454236	4002395285105

Position	Quantité	Désignation	Référence	EAN
0071	1	BEARING BUSH	4931454237	4002395285112
0072	1	FIELD LEAD GROMMET	4931454759	4058546013769
0073	1	CHOKING COIL	4931454780	4058546013974
0074	1	HOUSING	4931454240	4002395285143
0075	3	SCREW	4931454241	4002395285150
0078	1	END COVER CAP	4931454242	4002395285167
0080	2	SCREW	4931454248	4002395285822
0085	1	SCREW	4931454760	4058546013776
0086	1	GROUND PLATE	4931454761	4058546013783
0087	2	LOCK BOTTON	4931454246	4002395285808
0092	10	SCREW	4931454762	4058546013790
0093	1	HOLDING DEVICE	4931454763	4058546013806
0094	1	PARALL./ANGLE GUIDE	4931454764	4058546013813
0095	1	COVER	4931454765	4058546013820
0096	2	BOLT	4931454766	4058546013837
0097	1	GROUND PLATE	4931454767	4058546013844
0098	1	SCREW	4931454244	4002395285181
0099	1	NUT	4931454768	4058546013851
0100	1	PARALL./ANGLE GUIDE	4931454769	4058546013868
0106	1	SCREW	4931454250	4002395285846
0107	2	SPRING	4931454251	4002395285853
0108	1	O-RING	4931454770	4058546013875
0109	2	LATCH PLATE	4931454771	4058546013882
0111	1	TERMINAL PLUG	4931454772	4058546013899
0112	1	WASHER	4931454773	4058546013905
0201	1	SWITCH	4931454252	4002395285860
0202	1	FLANGE	4931454253	4002395285877
0203	1	SPINDLE LOCK	4931454254	4002395285884
0204	1	BUFFER HANDLE	4931454774	4058546013912
0205	1	PARALLEL GUIDE	4931454775	4058546013929
0206	1	CARBON BRUSH	4931454255	4002395285891
0207	2	CLAMPING LEVER	4931454776	4058546013936
0208	1	AUXILIARY HANDLE	4931454256	4002395286508
0209	1	PAIR HANDLE SHELLS	4931454257	4002395286515
0220	1	RATING PLATE	4931454924	4058546020989
0700	1	CARRYING CASE	4931454778	4058546013950