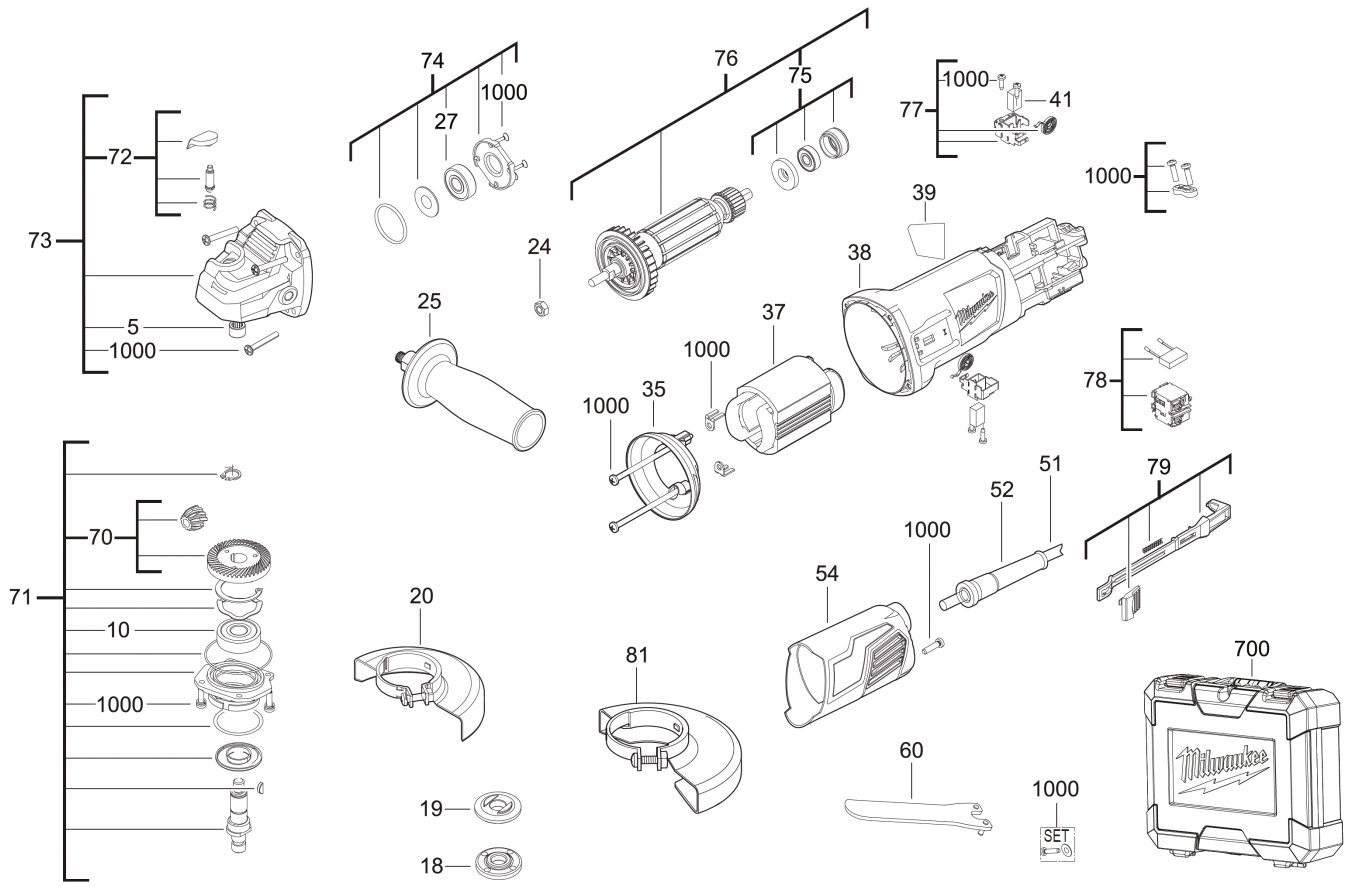


AG800-125E ANGLE GRINDER IN2

4933451211 - AG800-125E IN2 - 4000452815





| Position | Quantity | Description | Part number | EAN |
|----------|----------|---------------------|-------------|---------------|
| 0005 | 1 | NEEDLE BEARING | 4931453548 | 4002395145751 |
| 0010 | 1 | BALL BEARING | 4931453524 | 4002395144310 |
| 0018 | 1 | INTERMEDIATE FLANGE | 4931453551 | 4002395145782 |
| 0019 | 1 | INTERMEDIATE FLANGE | 4931453543 | 4002395145706 |
| 0020 | 1 | GUARD | 4931453541 | 4002395145089 |
| 0024 | 1 | NUT | 4931453549 | 4002395145768 |
| 0025 | 1 | AUXILIARY HANDLE | 4931453554 | 4002395146413 |
| 0027 | 1 | BALL BEARING | 4931453523 | 4002395144303 |
| 0035 | 1 | AIR DEFLECTOR RING | 4931453520 | 4002395143672 |
| 0037 | 1 | ELECTRIC FIELD | 4931453537 | 4002395145041 |
| 0038 | 1 | MOTOR HOUSING | 4931453547 | 4002395145744 |
| 0039 | 1 | RATING PLATE | 4931453564 | 4002395143726 |
| 0041 | 2 | CARBON BRUSH | 4931453529 | 4002395144365 |
| 0051 | 1 | CONNECTION CABLE | 4931453557 | 4002395146451 |
| 0052 | 1 | PROTECTING COVER | 4931453530 | 4002395144372 |
| 0054 | 1 | HOUSING CAP | 4931453559 | 4002395146475 |
| 0060 | 1 | WRENCH | 4931453578 | 4002395144464 |
| 0070 | 1 | GEARWHEEL SET | 4931453553 | 4002395146406 |
| 0071 | 1 | SPINDLE | 4931453571 | 4002395143795 |
| 0072 | 1 | LOCKING LEVER | 4931453546 | 4002395145737 |
| 0073 | 1 | GEAR BOX | 4931453538 | 4002395145058 |
| 0074 | 1 | BEARING KIT | 4931453526 | 4002395144334 |
| 0075 | 1 | BALL BEARING | 4931453525 | 4002395144327 |
| 0076 | 1 | ARMATURE | 4931453522 | 4002395143696 |
| 0077 | 2 | BRUSH HOLDER | 4931453528 | 4002395144358 |
| 0078 | 1 | SWITCH | 4931453575 | 4002395144433 |
| 0079 | 1 | SWITCH BUTTON | 4931453576 | 4002395144440 |
| 0081 | 1 | GUARD CAP | 4931419253 | 4002395827145 |
| 0700 | 1 | CARRYING CASE | 4931453527 | 4002395144341 |
| 1000 | 1 | SCREW | 4931453560 | 4002395146482 |