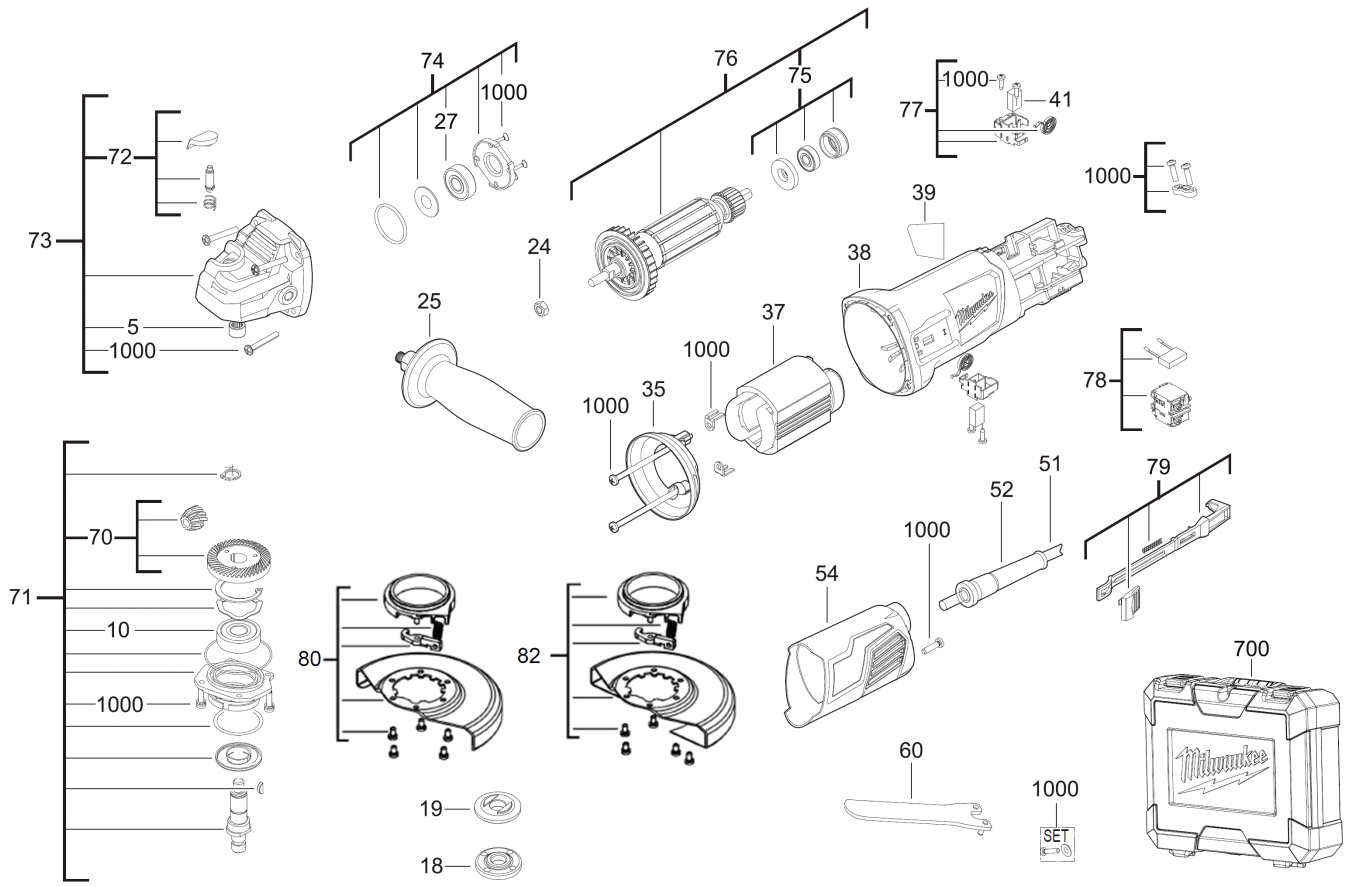


AG800-125EK ANGLE GRINDER IN2

4933451213 - AG800-125EK IN2 - 4000452827





Position	Quantity	Description	Part number	EAN
0005	1	NEEDLE BEARING	4931453548	4002395145751
0010	1	BALL BEARING	4931453524	4002395144310
0018	1	INTERMEDIATE FLANGE	4931453551	4002395145782
0019	1	INTERMEDIATE FLANGE	4931453543	4002395145706
0024	1	NUT	4931453549	4002395145768
0025	1	AUXILIARY HANDLE	4931453554	4002395146413
0027	1	BALL BEARING	4931453523	4002395144303
0035	1	AIR DEFLECTOR RING	4931453520	4002395143672
0037	1	ELECTRIC FIELD	4931453537	4002395145041
0038	1	MOTOR HOUSING	4931453547	4002395145744
0039	1	RATING PLATE	4931453566	4002395143740
0041	2	CARBON BRUSH	4931453529	4002395144365
0051	1	CONNECTION CABLE	4931453558	4002395146468
0052	1	PROTECTING COVER	4931453530	4002395144372
0054	1	HOUSING CAP	4931453559	4002395146475
0060	1	WRENCH	4931453578	4002395144464
0070	1	GEARWHEEL SET	4931453553	4002395146406
0071	1	SPINDLE	4931453572	4002395144402
0072	1	LOCKING LEVER	4931453546	4002395145737
0073	1	GEAR BOX	4931453538	4002395145058
0074	1	BEARING KIT	4931453526	4002395144334
0075	1	BALL BEARING	4931453525	4002395144327
0076	1	ARMATURE	4931453522	4002395143696
0077	2	BRUSH HOLDER	4931453528	4002395144358
0078	1	SWITCH	4931453575	4002395144433
0079	1	SWITCH BUTTON	4931453576	4002395144440
0080	1	GUARD	4931453545	4002395145720
0082	1	GUARD CAP	4931441555	4002395866373
0700	1	CARRYING CASE	4931453527	4002395144341
1000	1	SCREW	4931453560	4002395146482