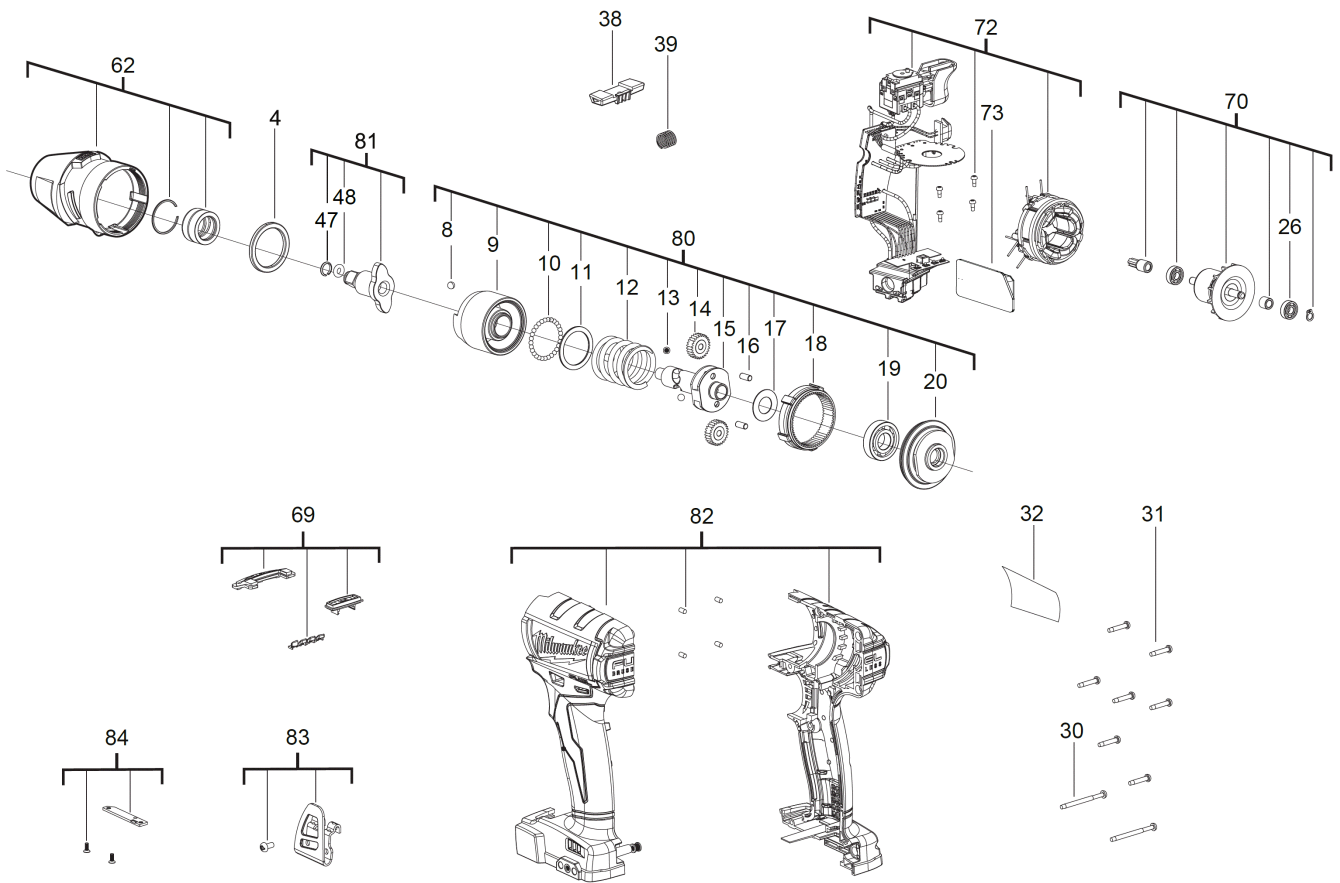


M18ONEIWF12-502X BTY. IMPACT WRENCH IN2

4933451374 - M18ONEIWF12-502X - 4000452740





Position	Quantity	Description	Part number	EAN
0004	1	WASHER	4931435372	4002395892082
0008	1	BALL	4931453238	4002395153916
0009	1	IMPACT BOLT	4931453273	4002395158645
0010	29	BALL	4931440309	4002395892013
0011	1	WASHER	4931452049	4002395180141
0012	1	SPRING	4931435742	4002395864799
0013	2	BALL	4931440453	4002395892020
0014	2	GEAR	4931454799	4058546014162
0015	1	SHAFT	4931453274	4002395158652
0016	2	CYLINDER PIN	4931435378	4002395889341
0017	1	WASHER	4931435379	4002395889358
0018	1	WORM GEAR WHEEL	4931453242	4002395153954
0019	1	BALL BEARING	4931436062	4002395877058
0020	1	GEAR BOX COVER	4931453275	4002395158669
0026	1	BALL BEARING	4931453276	4002395158676
0030	2	SCREW	4931453244	4002395153978
0031	7	SCREW	4931453227	4002395153206
0032	1	RATING PLATE	4931453443	4002395147960
0038	1	SWITCH	4931453243	4002395153961
0039	1	PRESSURE SPRING	4931408243	4002395814466
0047	1	CIRCLIP	4931416493	4002395898374
0048	1	O-RING	4931416492	4002395898367
0062	1	GEAR BOX	4931453280	4002395159314
0069	1	COVER	4931456377	4002395172740
0070	1	ARMATURE ASSEMBLY	4931453282	4002395159338
0072	1	PRINT.CURIUT SWITCH	4931453444	4002395147977
0073	1	CONTACT CASE	4931453372	4002395164141
0080	1	GEAR KIT	4931453284	4002395159352
0081	1	IMPACT BOLT	4931453290	4002395160013
0082	1	HOUSING	4931453445	4002395147984
0083	1	HOLDER	4931453252	4002395157556
0084	1	HOUSING	4931456378	4002395172757
	1	M12-18C BATTERY CHARGER IN2	4932352959	4002395376179
	1	M18B5 LI-ION BATTERY PACK 5.0AH XXX	4932430483	4002395381449