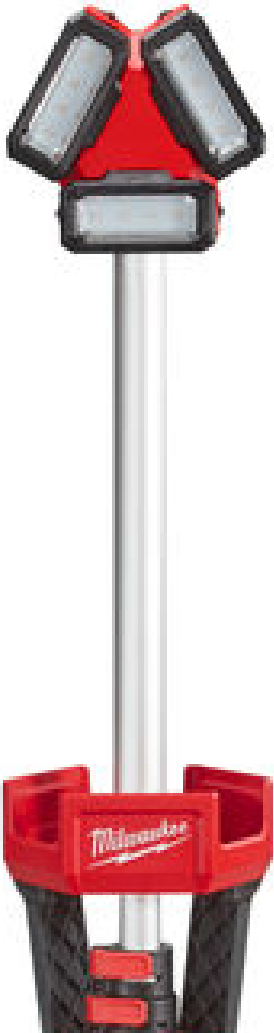
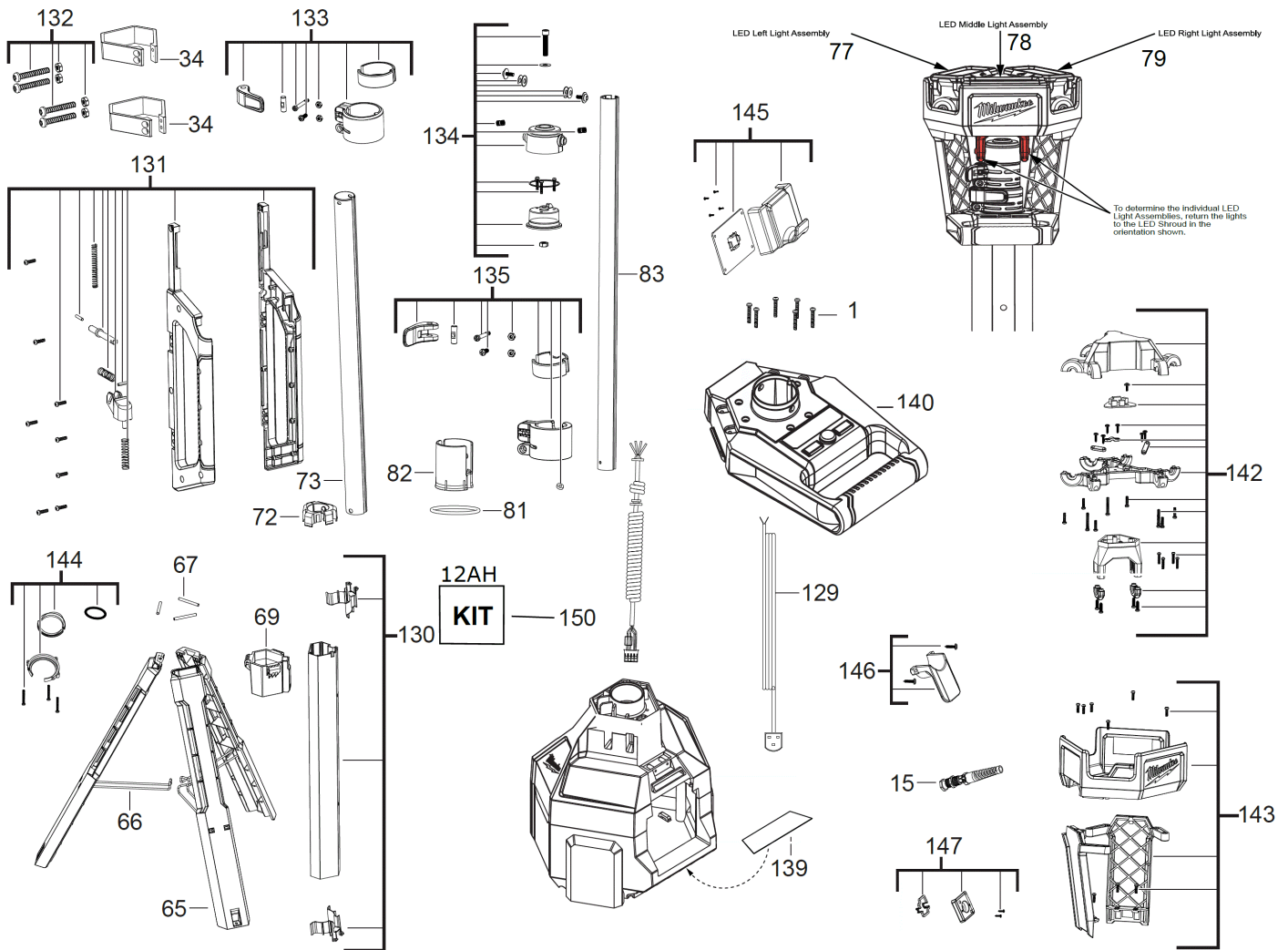


# M18HSAL-0 STAND LIGHT PREMIUM IN2

4933451392 - M18HSAL-0 - 4000456876







Position	Quantity	Description	Part number	EAN
0001	6	SCREW	4931453488	4002395149582
0015	1	COVER	4931454874	4058546020484
0034	2	CLAMPING RING	4931453482	4002395149520
0065	3	FOOT	4931453480	4002395149506
0066	3	SWIVEL FOOT	4931453478	4002395148882
0067	3	PIN	4931453481	4002395149513
0069	1	CLAMPING PIECE	4931453483	4002395149537
0072	1	GUIDE PIECE	4931454875	4058546020491
0073	1	TUBE	4931454876	4058546020507
0077	1	ILLUMINANT	4931454877	4058546020514
0078	1	ILLUMINANT	4931454878	4058546020521
0079	1	ILLUMINANT	4931454879	4058546020538
0081	1	O-RING	4931454880	4058546020545
0082	1	RING	4931454881	4058546020552
0083	1	TUBE	4931454882	4058546020569
0129	1	POWER CORD	4931454883	4058546020576
0130	1	GUIDE TUBE	4931454884	4058546020583
0131	1	HANDLE COMPL.	4931454885	4058546020590
0132	1	SCREW	4931453497	4002395150274
0133	1	CLAMPING RING	4931461470	4058546037031
0134	1	COVER	4931453498	4002395150281
0135	1	CLAMPING PIECE	4931461471	4058546037048
0139	1	RATING PLATE	4931454886	4058546020606
0140	1	HANDLE	4931454887	4058546020613
0142	1	GUIDE ELEMENT	4931454888	4058546020620
0143	1	LAMP HOUSING	4931454889	4058546020637
0144	1	HOLDING RING	4931454890	4058546020644
0145	1	CABLE CLIP	4931454891	4058546020651
0146	1	CABLE CLIP	4931454892	4058546020668
0147	1	PROTECTIVE CAP	4931454893	4058546020675
0150	1	SERVICE KIT	4931466671	4058546278885