

# Milwaukee®

Nothing but **HEAVY DUTY**.®



## M18 HCC45

Original instructions  
Originalbetriebsanleitung  
Notice originale  
Istruzioni originali  
Manual original  
Manual original  
Oorspronkelijke gebruiksaanwijzing  
Original brugsanvisning  
Original bruksanvisning  
Bruksanvisning i original

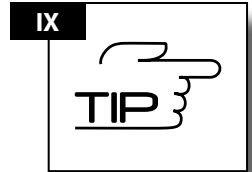
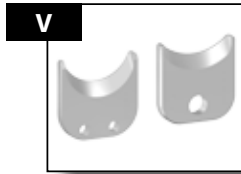
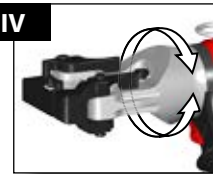
Alkuperäiset ohjeet  
Πρωτότυπο οδηγίων χρήσης  
Orijinal işletme talimatı  
Původním návodem k používání  
Původný návod na použití  
Instrukcją oryginalną  
Eredeti használati utasítás  
Izvirna navodila  
Originalne pogonske upute  
Instrukcijām oriēinālvadā  
Originali instrukcija

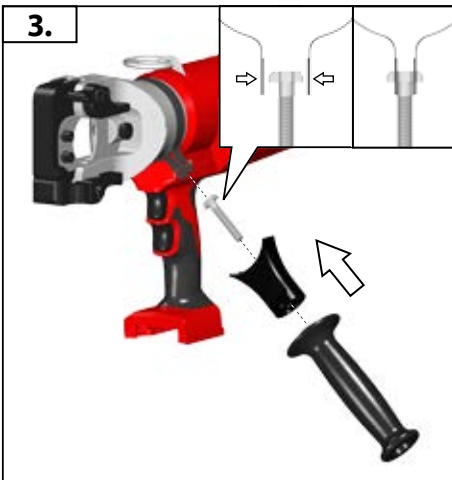
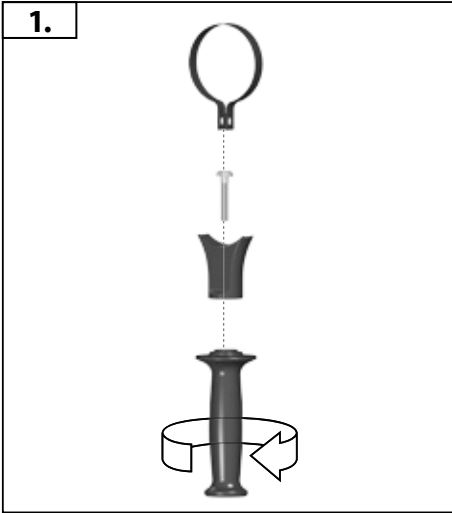
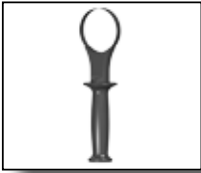
Algupärane kasutusjuhend  
Оригинальное руководство по эксплуатации  
Οριγiνάλo ρυκoυoδoστω  
Οριγiνάλo ρυκoυoδoστω za  
ekσπλoαταция  
Instrucțiuni de folosire originale  
Оригiнален прирачник за  
работа  
Оригiнал iнструкцiї з  
ekσπлoαταцiї  
التعليمات الأصلية

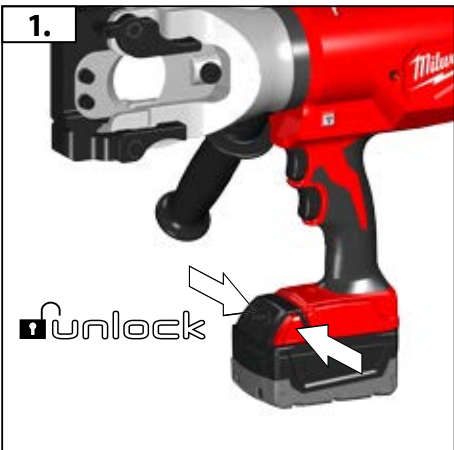
Technical Data, Safety Instructions, Specified Conditions of Use, EC-Declaration of Conformity, Batteries, Maintenance, Symbols	Please read and save these instructions!	<b>English</b>	<b>16</b>
Technische Daten, Sicherheitshinweise, Bestimmungsgemäße Verwendung, CE-Konformitätserklärung, Akku, Wartung, Symbole	Bitte lesen und aufbewahren!	<b>Deutsch</b>	<b>20</b>
Caractéristiques techniques, Instructions de sécurité, Utilisation conforme aux prescriptions, Déclaration CE de Conformité, Accus, Entretien, Symboles	A lire et à conserver soigneusement	<b>Français</b>	<b>24</b>
Dati tecnici, Norme di sicurezza, Utilizzo conforme, Dichiarazione di Conformità CE, Batterie, Manutenzione, Simboli	Si prega di leggere e conservare le istruzioni!	<b>Italiano</b>	<b>28</b>
Datos técnicos, Instrucciones de seguridad, Aplicación de acuerdo a la finalidad, Declaración de Conformidad CE, Batería, Mantenimiento, Símbolos	Lea y conserve estas instrucciones por favor!	<b>Español</b>	<b>32</b>
Características técnicas, Instruções de segurança, Utilização autorizada, Declaração de Conformidade CE, Acumulador, Manutenção, Símbolo	Por favor leia e conserve em seu poder!	<b>Português</b>	<b>36</b>
Technische gegevens, Veiligheidsadviezen, Voorgeschreven gebruik van het systeem, EC-Konformiteitsverklaring, Akku, Onderhoud, Symbolen	Lees en let goed op deze adviezen!	<b>Nederlands</b>	<b>40</b>
Tekniske data, Sikkerhedshenvisninger, Tiltænkent formål, CE-Konformitetserklæring, Batteri, Vedligeholdelse, Symboler	Vær venlig at læse og opbevare!	<b>Dansk</b>	<b>44</b>
Tekniske data, Spesielle sikkerhetshenvisninger, Formålsmessig bruk, CE-Samsvarserklæring, Batterier, Vedlikehold, Symboler	Vennligst les og oppbevar!	<b>Norsk</b>	<b>48</b>
Tekniska data, Säkerhetsutrustning, Använd maskinen Enligt anvisningarna, CEFörsäkran, Batterier, Skötsel, Symboler	Läs igenom och spara!	<b>Svenska</b>	<b>52</b>
Tekniset arvot, Turvallisuusohjeet, Tarkoituksenmukainen käyttö, Todistus CE-standardinmukaisuudesta, Akku, Huolto, Symbolit	Lue ja säilytä!	<b>Suomi</b>	<b>56</b>
Τεχνικά στοιχεία, Ειδικές υποδείξεις ασφαλείας, Χρήση σύμφωνα με το σκοπό προοριζομένου, Δήλωση πιστότητας ΕΚ, Μηταρίες, Χαρακτηριστικά, Συντήρηση, Σύμβολα.	Παρακαλώ διαβάστε τις και φυλάξτε τις!	<b>Ελληνικά</b>	<b>60</b>
Teknik veriler, Güvenliğinizi için talimatlar, Kullanım, CE uygunluk beyanance, Akü, Bakım, Semboller	Lütfen okuyun ve saklayın	<b>Türkçe</b>	<b>64</b>
Technická data, Speciální bezpečnostní upozornění, Oblast využití, Ce-prohlášení o shodě, Akumulátory, Údržba, Symboly	Po přečtení uschovejte	<b>Česky</b>	<b>68</b>
Technické údaje, Špeciálne bezpečnostné pokyny, Použitie podľa a predpisov, CE-Vyhľadanie konformity, Sieťová prípojka, Údržba, Symboly	Prosím prečítať a uschovať!	<b>Slovensky</b>	<b>72</b>
Dane techniczne, Specjalne zalecenia dotyczące bezpieczeñstwa, Uzytkowanie zgodnie z przeznaczeniem, Swiadectwo zgodnošci ce, Podlaczzenie do sieci, Gwarancja, Symbole	Należy uważnie przeczytać i zachować do wglądu!	<b>Polski</b>	<b>76</b>
Műszaki adatok, Különleges biztonossági tudnivalók, Rendeltetésszerű használat, Ce-azonossági nyilatkozat, Hálózati csatlakoztatás, Karbantartás, Szimbólumok	Olvassa el és őrizze meg	<b>Magyar</b>	<b>80</b>
Tehnični podatki, Specialni varnostni napotki, Uporaba v skladu z namembnostjo, Ce-izjava o konformnosti, Omrežni priključek, Vzdrževanje, Simboli	Prosim preberite in shranite!	<b>Slovensko</b>	<b>84</b>
Tehnički podaci, Specijalne sigurnosne upute, Propisna upotreba, CE-Izjava konformnosti, Priključak na mrežu, Održavanje, Simboli	Molimo pročitati i sačuvati	<b>Hrvatski</b>	<b>88</b>
Tehniskie dati, Speciālie drošības noteikumi, Noteikumiem atbilstošs izmantojums, Atbilstība CE normām, Tikla pieslēgums, Apkope, Simboli	Pielikums lietošanas pamācībai	<b>Latviski</b>	<b>92</b>
Techniniai duomenys, Ypatingos saugumo nuorodos, Naudojimas pagal paskirti, CE Atitikties pareiškimas, Elektros tinklo jungtis, Techninis aptarnavimas, Simboliai	Prašome perskaityti ir neišmesti!	<b>Lietuviškai</b>	<b>96</b>
Tehnilised andmed, Spetsiaalsed turvajuhised, Kasutamine vastavalt otstarbele, EÜ Vastavusavaldus, Võrku ühendamine, Hooldus, Sümbolid	Palun lugege läbi ja hoidke alal!	<b>Eesti</b>	<b>100</b>
Технические данные, Рекомендации по технике безопасности, Исползование, Подключение к электросети, Обслуживание, Символы	Пожалуйста прочтите и сохраните эту инструкцию.	<b>Русский</b>	<b>104</b>
Технически данни, Специални указания за безопасност, Използване по предназначение, CE-Декларация за съответствие, Свързване към мрежата, Поддръжка, Символи	Моля прочетете и запазете!	<b>Български</b>	<b>109</b>
Date tehnice, Instrucțiuni de securitate, Condiții de utilizare specifice, Declarație de conformitate, Acumulatori, Întreținere, Simboluri	Va rugăm citiți și păstrați aceste instrucțiuni	<b>Română</b>	<b>113</b>
Технички Податоци, Упатство За Употреба, Специфицирани Услови На Употреба, Еу-декларација За Сообразност, БАТЕРИИ, Одржување, Символи	Ве молиме прочитајте го и чувајте го ова упатство!	<b>Македонски</b>	<b>117</b>
Технічні характеристики, Вказівки З Техніки Безпеки, Використання за призначенням, Сертифікат Відповідності Вимогам Єс, Акумуляторна, Обслуговування, Символи	Прочитайте та збережіть цю інструкцію!	<b>Українська</b>	<b>121</b>
تعليمات السلامة شروط الاستخدام المحددة، البطاريات، إعلان المطابقة - الاتحاد الأوروبي، الصيانة، الرموز	يُرجى قراءة وحفظ هذه التعليمات!	<b>العربية</b>	<b>128</b>





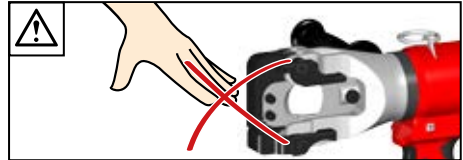
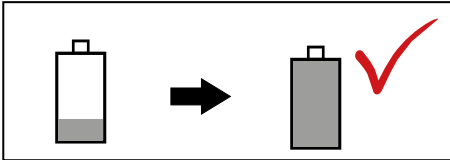
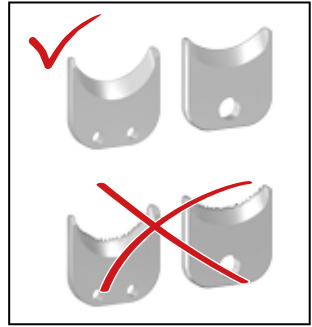




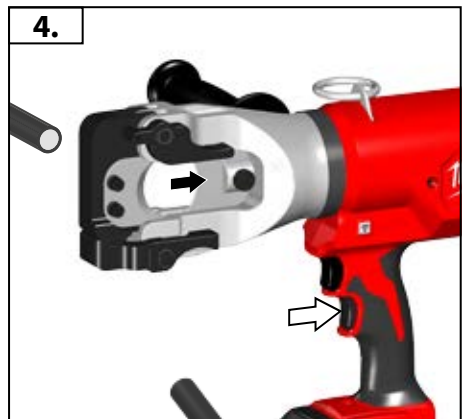
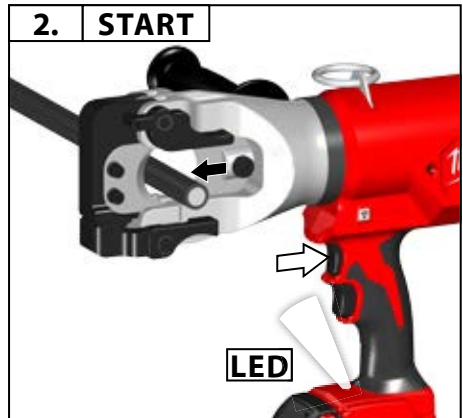
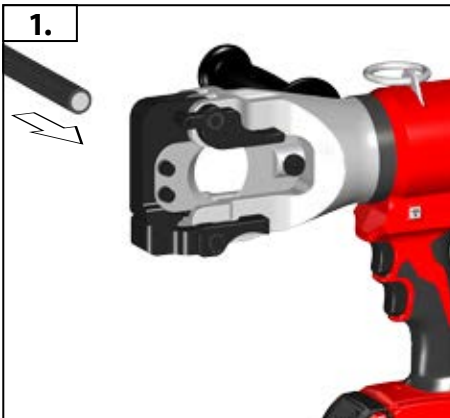




<b>78-100 %</b>		
<b>55-77 %</b>		
<b>33-54 %</b>		
<b>10-32 %</b>		
<b>&lt;10 %</b>		



START  
STOP



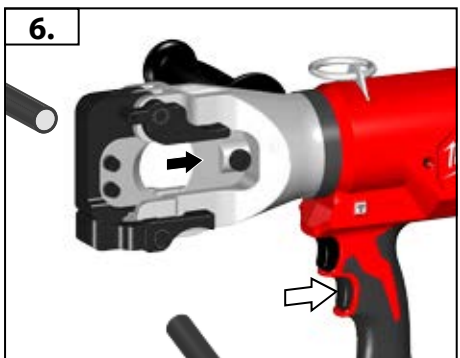
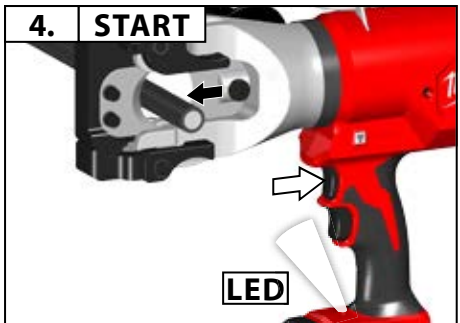
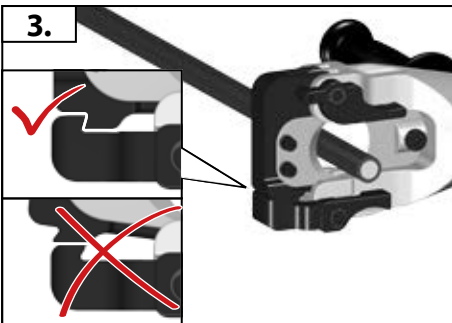
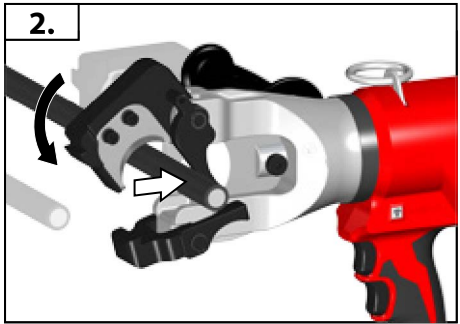
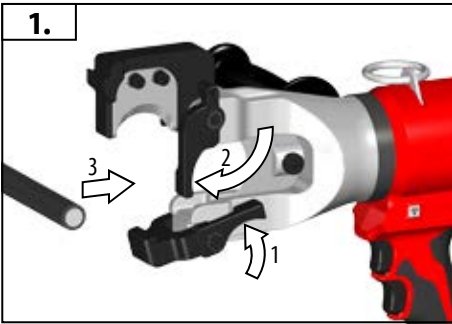


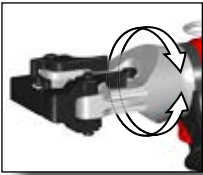


START  
STOP

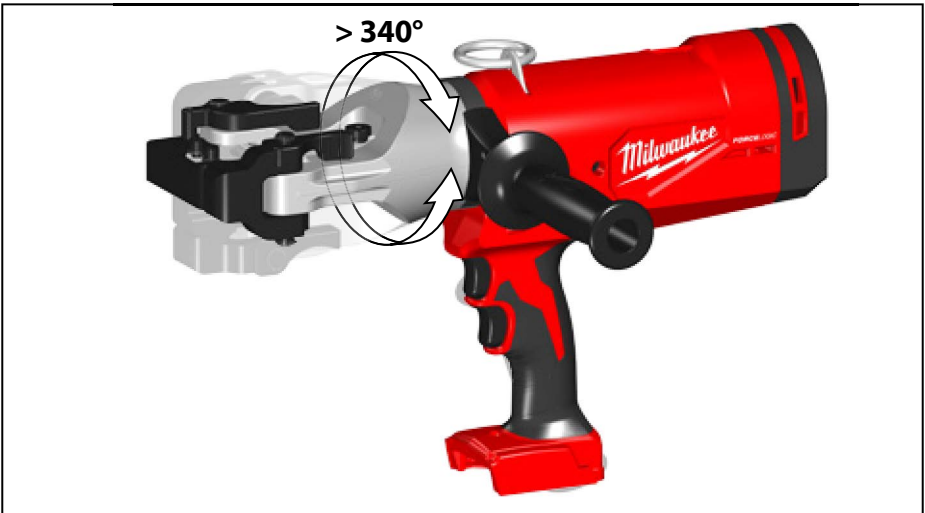


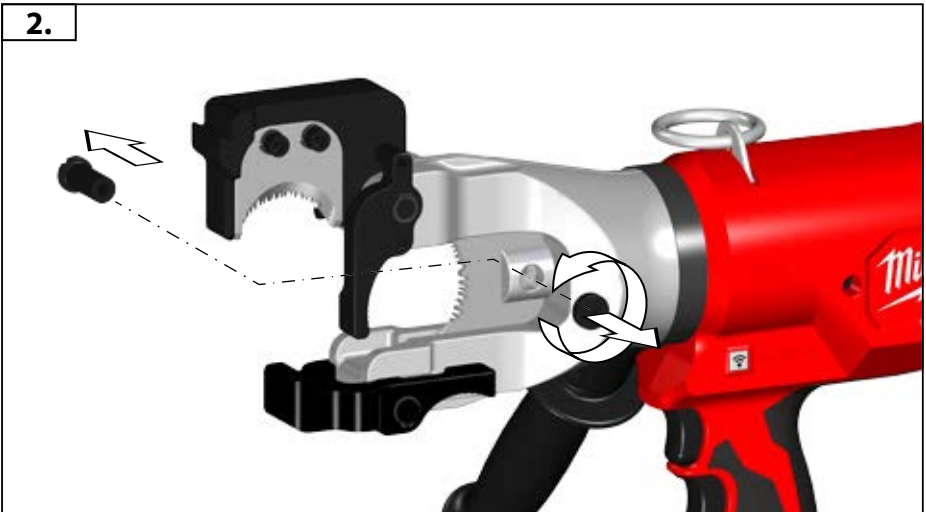
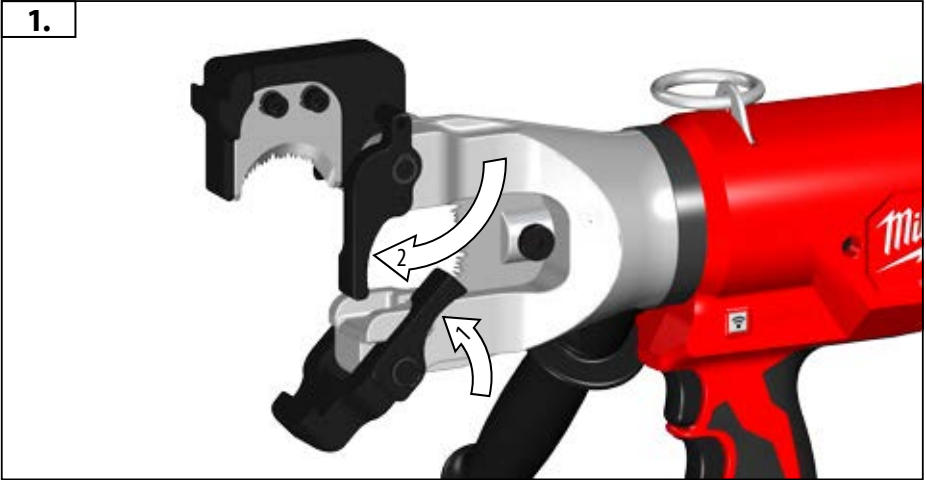
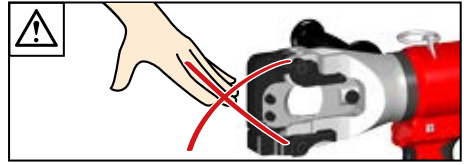
START  
STOP

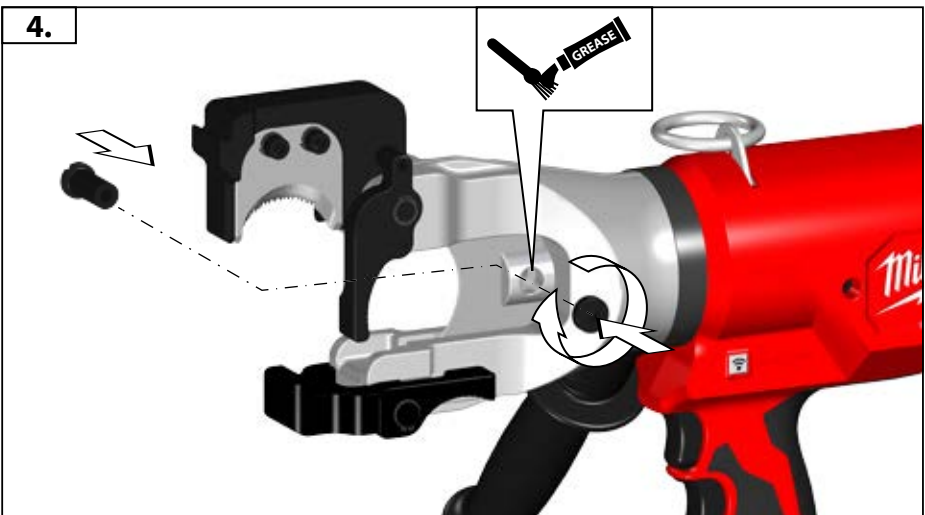
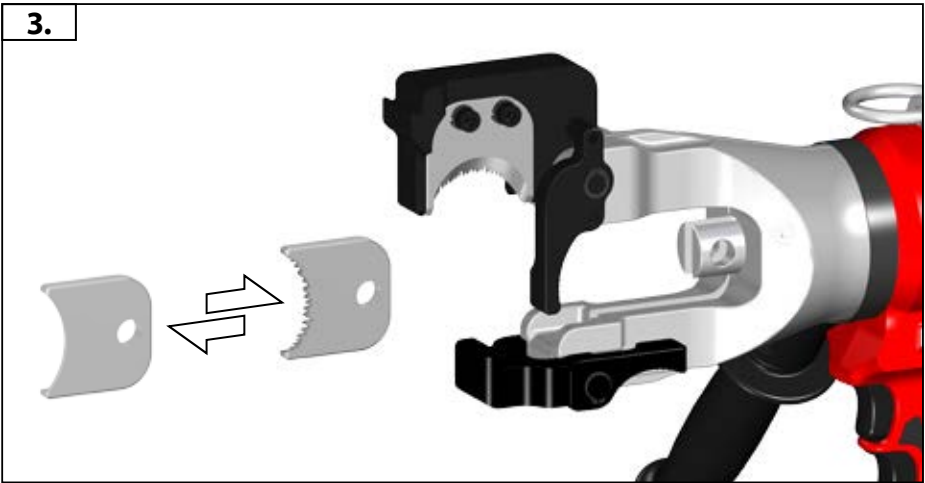
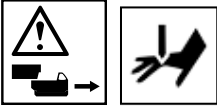
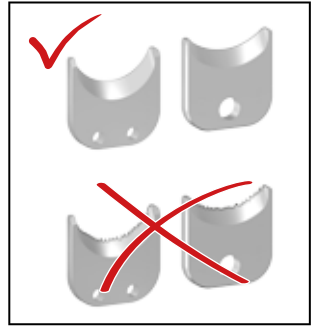


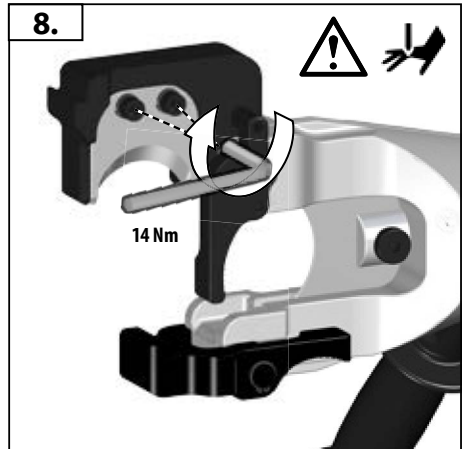
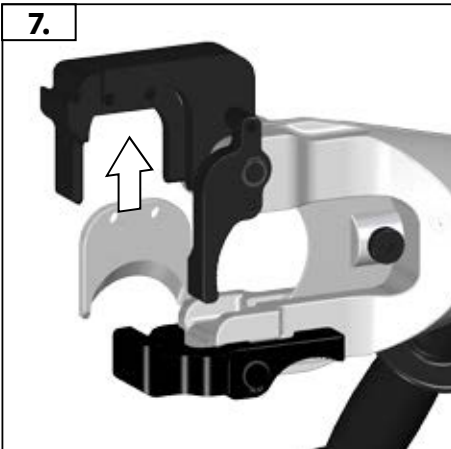
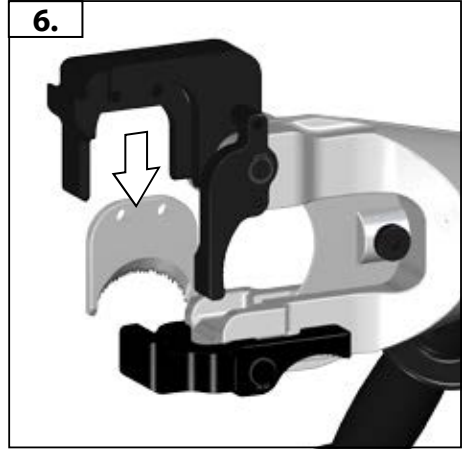
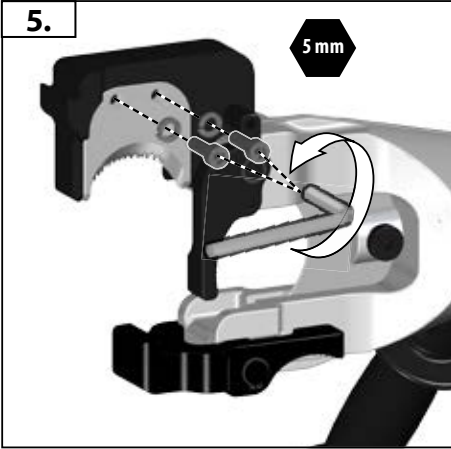
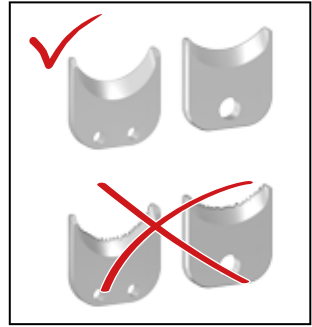
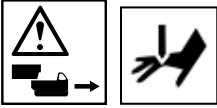


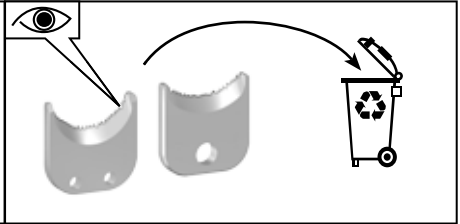
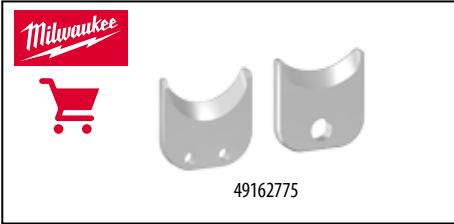
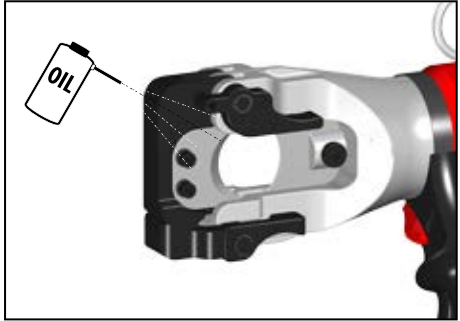
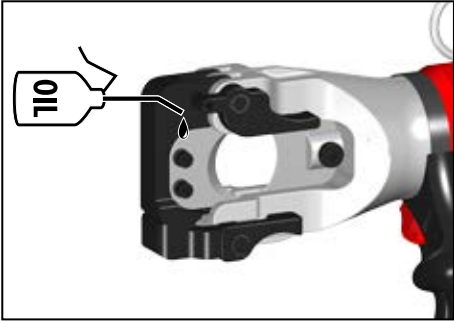
IV









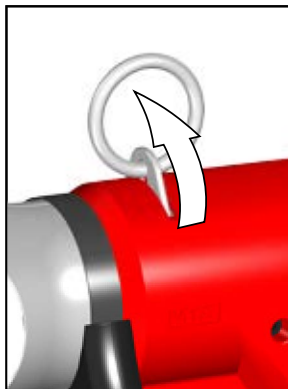


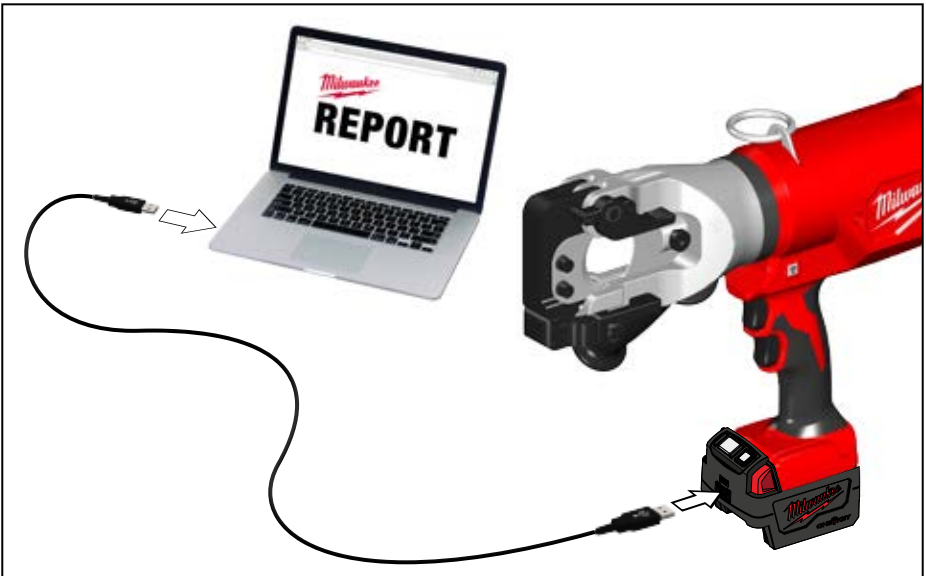


Not included in standard equipment.  
Im Lieferumfang nicht enthalten.  
Ces piéces ne font pas partie de la livraison.  
on incluso nella dotazione standard.  
No incluido en el equipo estándar.  
Não incluído no equipamento normal.  
Wordt niet meegeleverd.  
Ikke inkludert i leveringsomfanget.

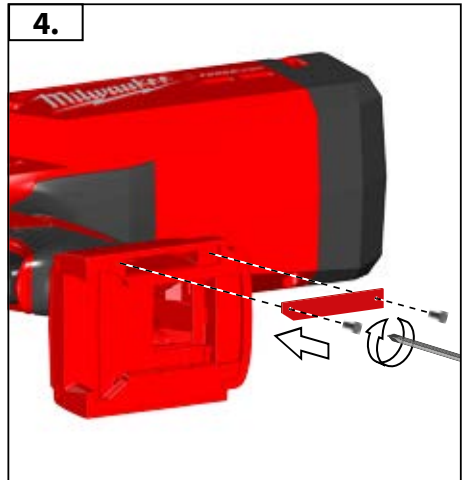
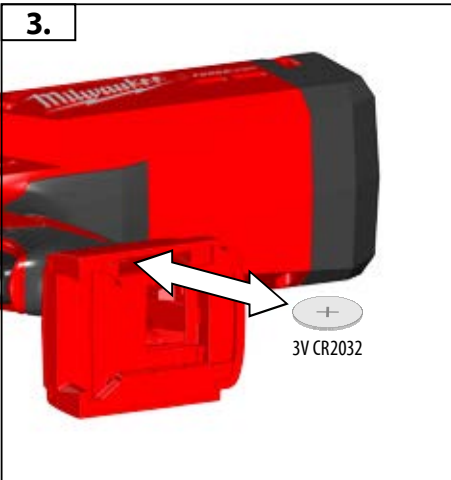
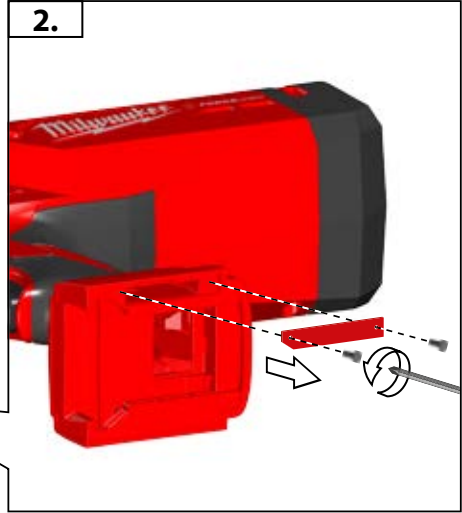
Inngår ikke i leveransen.  
Ingår ej i leveransomfanget.  
Ei sisälly vakiovarustukseen.  
Δεν συμπεριλαμβάνεται  
Teslimat kapsamında değildir.  
V dodávce neobsaženo.  
Neobsahuje štandardná výbava.  
Nie stanowi wyposażenia standardowego  
Nem tartozéka a készüléknek.  
Ni v obsegu dobave.  
U opsegu isporuke nije sadržano.

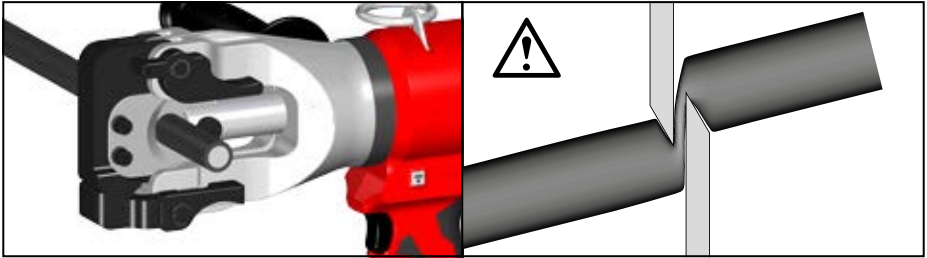
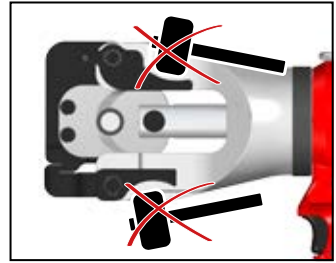
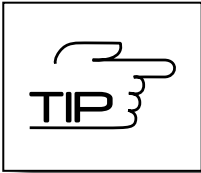
Komplektācijā nav ietverts.  
Nejeina j komplektācijā.  
Ei kuulu tarne komplekti.  
Не входит в объем поставки  
Не е включено в обема на доставката.  
Nu este inclus în echipamentul standard  
Не е включено во стандардна опрема  
Не входит в обсяг поставчання.  
ليس مدرجا كمعدة قياسية



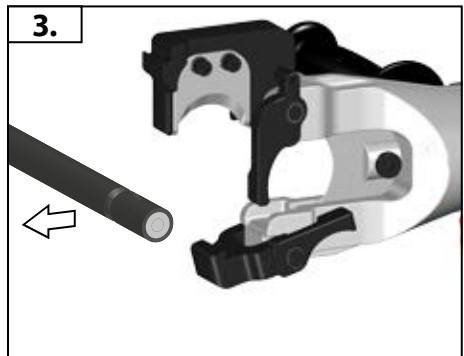
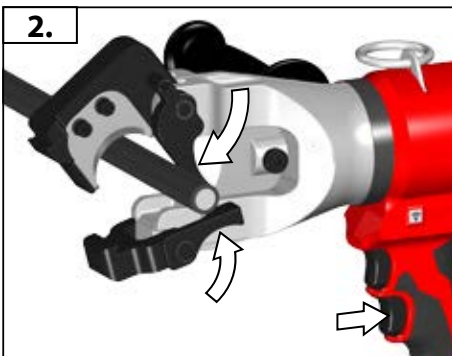








IX



TECHNICAL DATA	M18 HCC45
<b>Cable Cutter</b>	
Production code	4587 00 01... ... 000001-999999
Battery voltage	18 V
Nominal force	77,8 kN
Cutting range Depends on cable type	max. Ø 44 mm
ACSR: Aluminium-/Steel cable Copper / Aluminium	
Weight according EPTA-Procedure 01/2003 (Li-Ion 2,0 Ah)	6,0 kg
<b>Noise information</b>	
Measured values determined according to EN 62841. Typically, the A-weighted noise levels of the tool are:	
Sound pressure level (Uncertainty K=3dB(A))	76,9 dB(A)
Sound power level (Uncertainty K=3dB(A))	87,9 dB(A)
<b>Wear ear protectors!</b>	
<b>Vibration information</b>	
Vibration total values (triaxial vector sum) determined according to EN 62841	
Vibration emission value <sub>a,h</sub>	1,2 m/s <sup>2</sup>
Uncertainty K=	1,5 m/s <sup>2</sup>



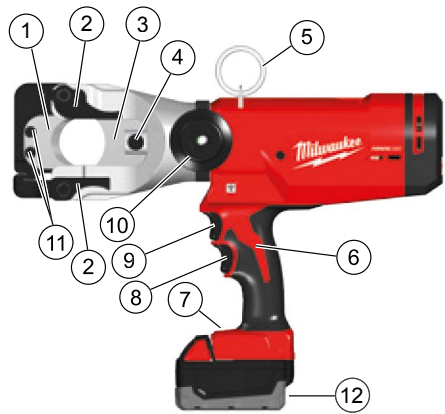
### WARNING!

The vibration emission level given in this information sheet has been measured in accordance with a standardised test given in EN 62841 and may be used to compare one tool with another. It may be used for a preliminary assessment of exposure.

The declared vibration emission level represents the main applications of the tool. However if the tool is used for different applications, with different accessories or poorly maintained, the vibration emission may differ. This may significantly increase the exposure level over the total working period.

An estimation of the level of exposure to vibration should also take into account the times when the tool is switched off or when it is running but not actually doing the job. This may significantly reduce the exposure level over the total working period.

Identify additional safety measures to protect the operator from the effects of vibration such as: maintain the tool and the accessories, keep the hands warm, organisation of work patterns.



### Device description

- |                       |                          |
|-----------------------|--------------------------|
| ① Front blade         | ⑦ LED                    |
| ② Jaw release levers  | ⑧ Release trigger        |
| ③ Rear blade          | ⑨ Trigger                |
| ④ Blade retaining pin | ⑩ Side handle            |
| ⑤ Hanger              | ⑪ 5 mm hex socket screws |
| ⑥ Handle              | ⑫ Battery                |

**⚠ WARNING** Read all safety warnings, instructions, illustrations and specifications provided with this device. Failure to follow the warnings and instructions may result in electric shock, fire and/or serious injury.

**Save all warnings and instructions for future reference.**

### ⚠ CABLE CUTTER SAFETY WARNINGS

To reduce the risk of explosions, electric shock and damage to property and equipment, never cut live electrical cables. Tool is NOT insulated.

Keep hands and loose items of clothing away from cutting tools and other moving parts. There is a risk of serious injury, including severing of limbs.

The use of protective clothing is recommended, such as dust mask, protective gloves, sturdy non-slip footwear, helmet and ear defenders.

Use protective equipment. Always wear safety goggles when working with the cable cutter.

Prevent accidental starting of the cable cutter. Before connecting to a removable battery, ensure that the trigger is secured with the switch lock.

Never hold the cable cutter by the cutting jaws.

Before using, always check the cutting jaws for cracks and other signs of wear.

Only use the cable cutter, removable battery and charger if they are in perfect technical condition.

Have damage repaired immediately by an authorised workshop.

Remove the battery pack before starting any work on the appliance.

The cable cutter may only be used with a cutting tool inserted.

Remove any setting tools and wrenches before making the cut.

To avoid injury and damage, never immerse the tool, removable battery or charger in liquid or allow liquid to penetrate them.

Hold the cable cutter by both handles.

In the event of faults during the cutting process, release the trigger immediately and press the hydraulic reset button.

The valve will open and the piston will return to its initial position.

### RESIDUAL RISK

Before the cutting process begins, access must be sealed off in accordance with local regulations.

Only ever cut cables that have been disconnected from the power supply.

Cable and cord may not be exposed to any mechanical forces.

Failure to comply with this instruction can lead to serious injury, death, fire and other damage to property as a result of electric shock, explosion and/or electric arcs.

Wear goggles.

### SPECIFIED CONDITIONS OF USE

Depending on the type of cable, the cable cutter is suitable for cutting insulated copper or aluminium cables, ACSR cables (aluminium/steel cables) and steel cables that have been disconnected from the power supply.

Only personnel trained in electrotechnical applications may carry out cutting and splitting of cables and cords with the aid of this cable cutter.

The operator of this cable cutter must be instructed in the specific dangers associated with using this cable cutter and in the essential safety measures before working with it for the first time and at least once a year thereafter.

The operating company must:

- make the operating manual available to the operator and
- ensure that the operator has read and understood it.

**⚠ WARNING** Read all safety warnings, instructions, illustrations and specifications provided with this device. Failure to follow the warnings and instructions may result in electric shock, fire and/or serious injury.

**Save all warnings and instructions for future reference.**

### USE

#### Set-up of the working area

Before work begins, the cables or cords must be disconnected and it must be ensured that they remain isolated from the power supply for the duration of the work.

If it cannot be ensured beyond doubt that the cable or insulated line has been disconnected, no work may be carried out.

It is crucial that local safety provisions and the regulations are observed.

Cable and cord may not be exposed to any mechanical forces and must be secured from any uncontrolled movements following the cut.

Do not expose tools to rain. Do not use tools in damp or wet locations.

#### Preparation of cable cutter and battery

Before every use:

- Inspect cable cutter for external defects
  - Check the cutting tool for cracks and other signs of wear
- Only use in perfect condition!

Before the cutting process begins, the battery capacity must be checked: minimum 33% (see illustrated description).

It may require charging before work commences.

#### Preparation for the cutting process

Support and fix the cable or rope to be cut to minimise the risk of uncontrolled movement.

Overhead cables and cords, in particular, can move out of control and cause injury and/or damage.

The cutting head must be positioned at an angle of 90° to the cable or cord, so that the cable can lie in the opened cutting jaws without tension and undesirable shearing forces can be avoided.

**⚠ WARNING:** To reduce the risk of explosions, electric shock and damage to property and equipment, never cut live electrical cables.

**Tool is NOT insulated. Contact with a live circuit could result in severe injury or death. Turn off power before making a cut. Never cut gas or water lines. Keep hands away from all cutting edges and moving parts. Laceration and amputation can occur.**

**Always remove battery pack before changing or removing accessories. Only use accessories specifically recommended for this tool. Others may be hazardous.**

**To reduce the risk of injury, wear safety goggles or glasses with side shields.**

**⚠ WARNING:** To reduce the risk of injury, only cut recommended materials for the blades. (see „Specifications“) Do not attempt to cut other materials.

#### Cutting

- Before cutting, ensure blades are properly installed.
- 1. Guide the cable at right angles to the cutting of the cable cutter. Do not attempt to make angled cuts as it will damage the workpiece and blades.

2. Grasp handle(s) firmly.

Pull and hold the trigger through the operation.

An LED will light when the trigger is pulled.

Once cutting has been carried out, or the tool is switched off, let the release button go again and activate the reset switch, so that the cutting bars open.

*Note: Workpiece may move slightly during the cut.*

#### Action in the event of faults

- The cable can be broached and become live, in which case always inform the safety officer, stop the cutting process, and initiate suitable protective measures
- Always ensure that the device is and will stay disconnected from the power supply before approached and touching the device
- press and hold the reset button until the cutter opens completely
- check the battery capacity
- check the material and material thickness against the technical data



GB

- If it is suspected that a live cable has been cut, the cable-cutter has to be inspected in an authorized specialist workshop

### Jammed Blades

Dirt and debris can cause the blades to become jammed together after a cut

- Press and hold the release trigger to ensure the tool has reset.
- Remove the battery pack.
- Follow the picture description to open the cutting bars
- Clean any dirt and debris from the blades before starting another cut.

### Cutting Tips

- Do not attempt to make angled cuts as it will damage the workpiece and blades.
- Cut clean material to extend the blade life. Wipe dirt and debris from material and blades before beginning the cut.



### MAINTENANCE

Remove the battery pack before starting any work on the appliance.

Never open the cable cutter, removable battery or charger.

Check the cable cutter for any problems such as noise or jamming of moving parts that could be affecting the tool.

Check the cutting tools for cracks and other signs of wear.

On completion of the work, clean and grease the cutting tools.

Check that the cutting edges are sharp and replace worn cutting jaws.

Replace the blades when they become chipped or damaged. Always replace blades as a set. Use only MILWAUKEE blades.

Check that the cutting tools can move freely.

To avoid injury and damage, never immerse the tool, removable battery or charger in liquid or allow liquid to penetrate them.

The ventilation slots of the machine must be kept clear at all times.

The device contains hydraulic fluid. Hydraulic fluids pose a hazard to groundwater. Uncontrolled draining or improper disposal is punishable by law.

The device should be serviced every six to twelve months, depending on usage.

You can find out more about service intervals via the ONE-KEY app.

Service and repair work may only be carried out by authorised specialist workshops.

Use only Milwaukee accessories and Milwaukee spare parts. Should components need to be replaced which have not been described, please contact one of our Milwaukee service agents (see our list of guarantee/service addresses).

If needed, an exploded view of the tool can be ordered. Please state the Article No. as well as the machine type printed on the label and order the drawing at your local service agents or directly at: Techtronic Industries GmbH, Max-Eyth-Straße 10, 71364 Winnenden, Germany.

### ONE-KEY™

To learn more about the ONE-KEY functionality of this tool, please refer to the Quick Start guide included with this product or go to <http://www.milwaukee.com/one-key>

To download the ONE-KEY app, visit the App Store or Google Play from your smart device.

When experiences Electrostatic discharge, the Bluetooth communication will be disconnected and App interface exit. And it is no use app in 45 seconds. After 45 s, it needs to reset APP to recover." We considered the result to be within our minimum acceptable performance level corroding to EN 301489-1/ EN 301489-17. And we will give the operation guidance to the customer in user manual.

### BATTERIES

Temperatures in excess of 50°C (122°F) reduce the performance of the battery pack. Avoid extended exposure to heat or sunshine (risk of overheating).

The contacts of chargers and battery packs must be kept clean.

For an optimum life-time, the battery packs have to be fully charged, after use. Battery packs which have not been used for some time should be recharged before use.

To obtain the longest possible battery life remove the battery pack from the charger once it is fully charged.

For battery pack storage longer than 30 days:, Store the battery pack where the temperature is below 27°C and away from moisture, Store the battery packs in a 30% - 50% charged condition, Every six months of storage, charge the pack as normal.

Do not dispose of used battery packs in the household refuse or by burning them. Milwaukee Distributors offer to retrieve old batteries to protect our environment.

Do not store the battery pack together with metal objects (short circuit risk).

Use only System M18 chargers for charging System M18 battery packs. Do not use battery packs from other systems.

### TRANSPORTING LITHIUM BATTERIES

Lithium-ion batteries are subject to the Dangerous Goods Legislation requirements.

Transportation of those batteries has to be done in accordance with local, national and international provisions and regulations.

The user can transport the batteries by road without further requirements.

Commercial transport of Lithium-Ion batteries by third parties is subject to Dangerous Goods regulations. Transport preparation and transport are exclusively to be carried out by appropriately trained persons and the process has to be accompanied by corresponding experts.

When transporting batteries:

Ensure that battery contact terminals are protected and insulated to prevent short circuit. Ensure that battery pack is secured against movement within packaging. Do not transport batteries that are cracked or leak. Check with forwarding company for further advice

## EC-DECLARATION OF CONFORMITY

We declare under our sole responsibility that the product described under "Technical Data" fulfills all the relevant provisions of the directives

2011/65/EU RoHS, 2006/42/EC, 2014/30/EU, 2014/53/EU and the following harmonized standards have been used.

EN 62841-1:2015

EN 62479:2010

EN 60950-1:2006+A11:2009+A1:2010+A12:2011+AC:2011+A2:2013

EN 55014-1:2006+A1:2009+A2:2011

EN 55014-2:2015

EN 50581:2012

EN 301 489-1 V1.9.2 (2011-09)

EN 301 489-17 V2.2.1 (2012-09)

EN 300 328 V1.9.1 (2015-02)



Winnenden, 2017-05-03

Alexander Krug / Managing Director  
Authorized to compile the technical file

Techtronic Industries GmbH  
Max-Eyth-Straße 10, 71364 Winnenden, Germany

## SYMBOLS



Please read the instructions carefully before starting the machine.



**WARNING!**  
Risk of injury from ejected fragments



Always wear goggles when using the machine.



Danger of electric shock



**CAUTION! WARNING! DANGER!**



Remove the battery pack before starting any work on the appliance.



Keep hands away from cutting tools and other moving parts. Fingers may get caught in the cutting mechanism and be amputated or injured.



Accessory - Not included in standard equipment, available as an accessory.



Do not dispose of electric tools together with household waste material. Electric tools and electronic equipment that have reached the end of their life must be collected separately and returned to an environmentally compatible recycling facility. Check with your local authority or retailer for recycling advice and collection point.



European Conformity Mark



UkrSEPRO Conformity Mark



EurAsian Conformity Mark



TECHNISCHE DATEN	M18 HCC45
<b>Kabelschneider</b>	
Produktionsnummer	4587 00 01... ... 000001-999999
Spannung Wechselakku	18 V
Nennkraft	77,8 kN
Schnittbereich kabeltypabhängig	max. Ø 44 mm
ACSR: Aluminium-/Stahlseile Kupfer / Aluminium	
Gewicht nach EPTA-Prozedur 01/2003 (Li-Ion 2,0 Ah)	6,0 kg
<b>Geräuschinformation</b>	
Messwerte ermittelt entsprechend EN 62841. Der A-bewertete Geräuschpegel des Gerätes beträgt typischerweise:	
Schalldruckpegel (Unsicherheit $K=3dB(A)$ )	76,9 dB(A)
Schalleistungspegel (Unsicherheit $K=3dB(A)$ )	87,9 dB(A)
<b>Gehörschutz tragen!</b>	
<b>Vibrationsinformationen</b>	
Schwingungsgesamtwerte (Vektorsumme dreier Richtungen) ermittelt entsprechend EN 62841.	
Schwingungsemissionswert <sub>a</sub>	1,2 m/s <sup>2</sup>
Unsicherheit $K=$	1,5 m/s <sup>2</sup>

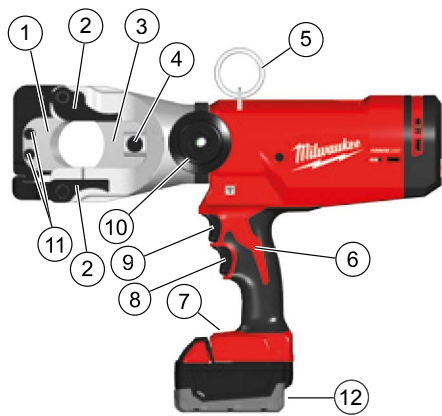


### WARNUNG!

Der in diesen Anweisungen angegebene Schwingungspegel ist entsprechend einem in EN 62841 genormten Messverfahren gemessen worden und kann für den Vergleich von Elektrowerkzeugen miteinander verwendet werden. Er eignet sich auch für eine vorläufige Einschätzung der Schwingungsbelastung. Der angegebene Schwingungspegel repräsentiert die hauptsächlichlichen Anwendungen des Elektrowerkzeugs. Wenn allerdings das Elektrowerkzeug für andere Anwendungen, mit abweichenden Einsatzwerkzeugen oder ungenügender Wartung eingesetzt wird, kann der Schwingungspegel abweichen. Dies kann die Schwingungsbelastung über den gesamten Arbeitszeitraum deutlich erhöhen.

Für eine genaue Abschätzung der Schwingungsbelastung sollten auch die Zeiten berücksichtigt werden, in denen das Gerät abgeschaltet ist oder zwar läuft, aber nicht tatsächlich im Einsatz ist. Dies kann die Schwingungsbelastung über den gesamten Arbeitszeitraum deutlich reduzieren.

Legen Sie zusätzliche Sicherheitsmaßnahmen zum Schutz des Bedieners vor der Wirkung von Schwingungen fest wie zum Beispiel: Wartung von Elektrowerkzeug und Einsatzwerkzeugen, Warmhalten der Hände, Organisation der Arbeitsabläufe.



### Gerätebeschreibung

- |                                  |                                |
|----------------------------------|--------------------------------|
| ① Vordere Klinge                 | ⑦ LED Leuchte                  |
| ② Hebel zum Lösen der Spannbacke | ⑧ Rückstellschalter            |
| ③ Hintere Klinge                 | ⑨ Auslöser                     |
| ④ Klingenthaltestift             | ⑩ Zusatzhandgriff              |
| ⑤ Aufhängebügel                  | ⑪ 5 mm Innensechskantschrauben |
| ⑥ Werkzeughandgriff              | ⑫ Akku                         |

**⚠️ WARNUNG Lesen Sie alle Sicherheitshinweise, Anweisungen, Darstellungen und Daten, die Sie mit dem Gerät erhalten.** Versäumnisse bei der Einhaltung der Sicherheitshinweise und Anweisungen können elektrischen Schlag, Brand und/oder schwere Verletzungen verursachen.  
**Bewahren Sie alle Sicherheitshinweise und Anweisungen für die Zukunft auf.**

### ⚠️ SICHERHEITSHINWEISE FÜR KABELSCHNEIDER

Um das Risiko von Explosionen, elektrischem Schlag, Sach- und Geräteschaden zu reduzieren, niemals stromführende elektrische Leitungen schneiden. Das Werkzeug gilt als NICHT isoliert.

Hände und lockere Kleidung von Schneidwerkzeugen und anderen beweglichen Teilen entfernt halten. Es besteht die Gefahr von schweren Verletzungen oder Abtrennung von Gliedmaßen.

Schutzkleidung wie Staubschutzmaske, Schutzhandschuhe, festes und rutschsicheres Schuhwerk, Helm und Gehörschutz werden empfohlen.

Schutzausrüstung verwenden. Beim Arbeiten mit dem Kabelschneider stets Schutzbrille tragen.

Verhindern Sie unbeabsichtigtes Starten des Kabelschneiders. Stellen Sie sicher dass vor dem Anschließen an einen Wechselakku der Auslöser durch die Einschaltsperrung gesichert ist.

Halten Sie den Kabelschneider nie an den Schneidbacken.

Vor jedem Gebrauch die Schneidbacken auf Risse und sonstige Verschleißerscheinungen prüfen.

Kabelschneider, Wechselakku und Ladegerät nur in technisch einwandfreiem Zustand verwenden.

Beschädigungen sofort von einer autorisierten Fachwerkstatt reparieren lassen.

Vor allen Arbeiten am Gerät den Wechselakku herausnehmen. Der Kabelschneider darf nur mit eingesetztem Schneidwerkzeug verwendet werden.

Entfernen Sie verwendete Einstellwerkzeuge oder Schlüssel bevor Sie den Schnitt ausführen.

Um Verletzungen oder Schäden zu vermeiden, tauchen Sie Ihr Werkzeug, Wechselakku oder Ladegerät nie in Flüssigkeit oder lassen eine Flüssigkeit in sie fließen.

Halten Sie den Kabelschneider an beiden Handgriffen.

Lassen Sie bei Störungen während des Schnittvorgangs sofort den Auslöser los und drücken Sie den Rückstellschalter der Hydraulik.

Das Ventil öffnet und der Kolben fährt in die Ausgangsposition zurück.

## RESTRISIKEN

Vor Beginn der Schneidvorganges muss entsprechend den lokalen Regelungen eine Absperrung gegen Zutritt eingerichtet sein.

Nur spannungsfreie Kabel schneiden.

Kabel und Seile dürfen keinen mechanischen Kräften ausgesetzt sein. Bei Nichtbeachtung besteht die Gefahr von schweren Verletzungen, Tod, Feuer oder sonstige Sachschäden durch Stromschlag, Explosion und oder Lichtbogen.

Schutzbrille tragen.

## BESTIMMUNGSGEMÄSSE VERWENDUNG

Der Kabelschneider ist geeignet zum Trennen von spannungsfreien Kabeln aus isoliertem Kupfer oder Aluminium, ACSR-Seile (Aluminium/Stahl-Seile), Stahlseilen, jeweils kabeltypabhängig.

Das Schneiden bzw. Trennen von Kabeln und Seilen mithilfe dieses Kabelschneiders darf nur durch eine elektrotechnisch unterwiesene Person erfolgen.

Der Bediener dieses Kabelschneiders ist vor der erstmaligen Aufnahme der Tätigkeit und danach, mindestens einmal jährlich, vor den besonderen Gefahren beim Umgang mit diesem Kabelschneider und über die notwendigen Sicherheitsvorkehrungen zu unterweisen.

Der Betreiber muss:

- dem Bediener die Betriebsanleitung zugänglich machen und
- sich vergewissern, dass der Bediener sie gelesen und verstanden hat.

**⚠️ WARNUNG Lesen Sie alle Sicherheitshinweise, Anweisungen, Darstellungen und Daten, die Sie mit dem Gerät erhalten.** Versäumnisse bei der Einhaltung der Sicherheitshinweise und Anweisungen können elektrischen Schlag, Brand und/oder schwere Verletzungen verursachen.

**Bewahren Sie alle Sicherheitshinweise und Anweisungen für die Zukunft auf.**

## ANWENDUNG

### Einrichtung des Arbeitsbereichs

Vor Arbeitsbeginn muss ein spannungsfreier Zustand der Leitungen oder Seile hergestellt und für die Dauer der Arbeiten sichergestellt werden.

Kann das freigeschaltete Kabel oder die freigeschaltete isolierte Leitung nicht eindeutig festgestellt werden, dürfen keine Arbeiten durchgeführt werden.

Auf lokale Sicherheitsvorschriften und Regelungen ist unbedingt zu achten.

Kabel und Seile dürfen keinen mechanischen Kräften ausgesetzt sein und müssen gegebenenfalls gegen unkontrollierte Bewegungen nach dem Schnitt gesichert werden.

Setzen Sie das Gerät nicht dem Regen aus und benutzen Sie es nicht in nasser oder feuchter Umgebung.

### Vorbereiten von Kabelschneider und Akku

Vor jedem Gebrauch:

- Kabelschneider auf äußere Mängel untersuchen
- Schneidwerkzeuge auf Risse und sonstige Verschleißerscheinungen prüfen

Nur in einwandfreiem Zustand verwenden!

Vor Beginn des Schneidvorgangs muss die Akku-Kapazität überprüft werden: mindestens 33% (siehe Bildbeschreibung).

Eventuell muss dieser vor Arbeitsbeginn geladen werden.

### Vorbereitung Schneidvorgang

Stützen und fixieren Sie das zu schneidende Kabel oder Seil, um das Risiko einer unkontrollierten Bewegung zu minimieren.

Insbesondere können Freileitungen und Seile unkontrolliert in Bewegung geraten und Verletzungen und / oder Beschädigungen verursachen.

Der Schneidkopf muss in einem Winkel von 90° zum Kabel oder Seil angelegt sein so dass dieses ohne Spannungen in den geöffneten Schneidbacken zum liegen kommt und ungünstige Scherkräfte vermieden werden.

**⚠️ WARNUNG: Um das Risiko von Explosionen, elektrischem Schlag, Sach- und Geräteschaden zu reduzieren, niemals stromführende elektrische Leitungen schneiden.**

**Das Werkzeug gilt als NICHT isoliert. Der Kontakt mit einem spannungsführenden Stromkreis kann schwerwiegende Verletzungen bis hin zum Tod verursachen. Unterbrechen Sie stets die Stromzufuhr, bevor Sie einen Schnitt tätigen. Schneiden Sie nie in Gas- oder Wasserleitungen. Halten Sie Ihre Hände von den Schneidwerkzeugen und anderen beweglichen Teilen fern. Es besteht die Gefahr schwerer Verletzungen oder der Abtrennung von Gliedmaßen.**

**Entfernen Sie stets den Wechselakku, bevor Sie Zubehörteile auswechseln oder entfernen. Verwenden Sie ausschließlich das speziell für dieses Werkzeug empfohlene Zubehör. Die Benutzung von anderem Zubehör ist gefährlich.**

**Um das Risiko von Verletzungen zu verringern, sollten Sie stets eine Schutzbrille oder eine Brille mit Seitenschutz tragen.**

**⚠️ WARNUNG: Um Verletzungsrisiken zu vermindern, sollten nur Materialien geschnitten werden, die für die Schneidklingen geeignet sind. (siehe „Technische Daten“) Versuchen Sie keine anderen Materialien zu schneiden.**

### Schneidvorgang

- Vergewissern Sie sich vor dem Schneiden, dass die Klingen ordnungsgemäß montiert sind.

1. Führen Sie das Kabel rechtwinklig an die Schneiden des Kabelschneiders. Versuchen Sie keine schrägen Schnitte, da diese das Werkzeug und die Klingen beschädigen würden.



D



2. Halten Sie das Werkzeug während des Handbetriebs an beiden Griffen fest.

Drücken Sie den Auslöser und halten Sie ihn gedrückt.

Es schaltet sich eine LED-Leuchtanzeige ein, sobald der Auslöser gedrückt wird.

Wenn der Schnitt durchgeführt ist oder das Werkzeug abschaltet, lassen Sie den Auslöser wieder los und betätigen Sie den Rückstellschalter, damit sich die Schneidbacken öffnen.

*Hinweis: Es ist möglich, dass sich das Kabel während des Schneidens leicht bewegt.*

### Verhalten bei Störungen

- das Kabel kann angeschnitten und spannungsführend sein, immer den Sicherheitsbeauftragten informieren, den Schneidvorgang abbrechen, geeignete Sicherungsmaßnahmen einleiten
- stellen Sie vor Annäherung und Berührung des Kabelschneiders immer sicher dass das Gerät spannungsfrei ist und bleibt
- Rückstellschalter gedrückt halten bis zum vollständigen Öffnen der Schneiden
- prüfen der Akku-Kapazität
- prüfen des Materials und der Materialstärke an Hand der technischen Daten
- Bei Verdacht des Schneidens eines spannungsführenden Kabels muss der Kabelschneider in einer autorisierten Fachwerkstatt überprüft werden

### Verklebte Schneiden

Schmutz und Anhaftungen können dazu führen, dass sich die Schneiden nach dem Schnitt verkleben.

- Halten Sie den Rückstellschalter gedrückt um sicherzustellen, dass das Gerät druckentlastet ist
- Entfernen Sie den Wechselakku
- Folgen Sie der Bildbeschreibung zum Öffnen der Schneidbacken
- Reinigen Sie die Schneidbacken von Schmutz und Anhaftungen bevor Sie einen weiteren Schnitt ausführen

### Tipps zum Schneiden von Kabeln

- Versuchen Sie keine schrägen Schnitte, da diese das Werkzeug und die Klingen beschädigen würden.
- Schneiden Sie nur saubere Kabel um die Lebensdauer der Klingen zu verlängern. Wischen Sie Schmutz und Anhaftungen von Kabel und Klingen vor dem Schneidvorgang

### WARTUNG

Vor allen Arbeiten am Gerät den Wechselakku herausnehmen.

Öffnen Sie nie den Kabelschneider, den Wechselakku oder das Ladegerät.

Überprüfen Sie den Kabelschneider auf etwaige Probleme wie Geräusch oder Festsitzen von beweglichen Teilen die das Werkzeug beeinträchtigen können.

Schneidwerkzeuge auf Risse und sonstige Verschleißerscheinungen prüfen.

Nach Beendigung der Arbeiten Schneidwerkzeuge reinigen und fetten.

Auf scharfe Schneidbacken achten bzw. abgenutzte Schneidbacken durch neue ersetzen.

Tauschen Sie die Klingen aus, wenn diese brüchig werden oder Beschädigungen aufweisen. Tauschen Sie die Klingen immer paarweise aus. Verwenden Sie ausschließlich MILWAUKEE-Klingen.

Leichtgängigkeit der Schneidwerkzeuge überprüfen.

Um Verletzungen oder Schäden zu vermeiden, tauchen Sie ihr Werkzeug, Wechselakku oder Ladegerät nie in Flüssigkeit oder lassen eine Flüssigkeit in sie fließen.

Stets die Lüftungsschlitze der Maschine sauber halten.

Das Gerät enthält Hydrauliköl, welches eine Gefahr für das Grundwasser darstellt. Unkontrolliertes Ablassen oder unsachgemäße Entsorgung steht unter Strafe.

Die Wartung des Gerätes soll alle sechs Monate, bis zu maximal einem Jahr erfolgen, je nach Nutzung.

Weiteres zu Wartungsintervallen finden Sie über die ONE-KEY App.

Wartungs- und Reparaturarbeiten dürfen nur durch autorisierte Fachwerkstätten ausgeführt werden.

Nur Milwaukee Zubehör und Milwaukee Ersatzteile verwenden. Bauteile, deren Austausch nicht beschrieben wurde, bei einer Milwaukee Kundendienststelle auswechseln lassen (Broschüre Garantie/Kundendienstadressen beachten).

Bei Bedarf kann eine Explosionszeichnung des Gerätes unter Angabe der Maschinen Type und der sechsstelligen Nummer auf dem Leistungsschild bei Ihrer Kundendienststelle oder direkt bei Techtronic Industries GmbH, Max-Eyth-Straße 10, 71364 Winnenden, Germany angefordert werden.

### ONE-KEY™

Um mehr über die ONE-KEY Funktionalität dieses Werkzeugs zu erfahren, lesen Sie die beiliegende Schnellstartanleitung oder besuchen Sie uns im Internet unter <http://www.milwaukeeetool.com/one-key>

Sie können die ONE-KEY App über den App Store oder Google Play auf Ihr Smartphone herunterladen.

Beim Auftreten von elektrostatischer Entladung werden die Bluetooth-Verbindung sowie die Verbindung zur App-Benutzeroberfläche getrennt. Die App kann 45 Sekunden lang nicht verwendet werden. Nach 45 Sekunden muss die App zum Neustarten zurückgesetzt werden. In unserem Ermessen liegt das Ergebnis gemäß EN 301489-1/ EN 301489-17 im Rahmen der akzeptablen Mindestleistung. Wir händigen dem Benutzer die Betriebsanweisungen in Form der Bedienungsanleitung aus.

### AKKUS

Eine Temperatur über 50°C vermindert die Leistung des Wechselakkus. Längere Erwärmung durch Sonne oder Heizung vermeiden.

Die Anschlusskontakte an Ladegerät und Wechselakku sauber halten.

Für eine optimale Lebensdauer müssen nach dem Gebrauch die Akkus voll geladen werden. Längere Zeit nicht benutzte Wechselakkus vor Gebrauch nachladen.

Für eine möglichst lange Lebensdauer sollten die Akkus nach dem Aufladen aus dem Ladegerät entfernt werden.

Bei Lagerung des Akkus länger als 30 Tage; Akku bei ca. 27°C und trocken lagern., Akku bei ca. 30%-50% des Ladezustandes lagern., Akku alle 6 Monate erneut aufladen.

Verbrauchte Wechselakkus nicht ins Feuer oder in den Hausmüll werfen. Milwaukee bietet eine umweltgerechte Alt-Wechselakku-Entsorgung an; bitte fragen Sie Ihren Fachhändler.

Wechselakku nicht zusammen mit Metallgegenständen aufbewahren (Kurzschlussgefahr).

Wechselakkus des Systems M18 nur mit Ladegeräten des Systems M18 laden. Keine Akkus aus anderen Systemen laden.

## TRANSPORT VON LITHIUM-IONEN-AKKUS

Lithium-Ionen-Akkus fallen unter die gesetzlichen Bestimmungen zum Gefahrguttransport.

Der Transport dieser Akkus muss unter Einhaltung der lokalen, nationalen und internationalen Vorschriften und Bestimmungen erfolgen.

Verbraucher dürfen diese Akkus ohne Weiteres auf der Straße transportieren.

Der kommerzielle Transport von Lithium-Ionen-Akkus durch Speditionsunternehmen unterliegt den Bestimmungen des Gefahrguttransports. Die Versandvorbereitungen und der Transport dürfen ausschließlich von entsprechend geschulten Personen durchgeführt werden. Der gesamte Prozess muss fachmännisch begleitet werden.

Folgende Punkte sind beim Transport von Akkus zu beachten:

Stellen Sie sicher, dass die Kontakte geschützt und isoliert sind, um Kurzschlüsse zu vermeiden. Achten Sie darauf, dass der Akkupack innerhalb der Verpackung nicht verrutschen kann. Beschädigte oder auslaufende Akkus dürfen nicht transportiert werden. Wenden Sie sich für weitere Hinweise an Ihr Speditionsunternehmen.

## CE-KONFORMITÄTSERKLÄRUNG

Wir erklären in alleiniger Verantwortung, dass das unter „Technische Daten“ beschriebene Produkt mit allen relevanten Vorschriften der Richtlinien

2011/65/EU RoHS, 2006/42/EG, 2014/30/EU, 2014/53/EU und den folgenden harmonisierten normativen Dokumenten übereinstimmt

EN 62841-1:2015

EN 62479:2010

EN 60950-1:2006+A11:2009+A1:2010+A12:2011+AC:2011+A2:2013

EN 55014-1:2006+A1:2009+A2:2011

EN 55014-2:2015

EN 50581:2012

EN 301 489-1 V1.9.2 (2011-09)

EN 301 489-17 V2.2.1 (2012-09)

EN 300 328 V1.9.1 (2015-02)



Winnenden, 2017-05-03

Alexander Krug / Managing Director

Bevollmächtigt die technischen Unterlagen zusammenzustellen.

Techtronic Industries GmbH

Max-Eyth-Straße 10, 71364 Winnenden, Germany

## SYMBOLE



Bitte lesen Sie die Gebrauchsanweisung vor Inbetriebnahme sorgfältig durch.



**WARNUNG!**  
Verletzungsgefahr durch wegfliegende Bruchstücke



Beim Arbeiten mit der Maschine stets Schutzbrille tragen.



Gefahr eines elektrischen Schlags



**ACHTUNG! WARNUNG! GEFAHR!**



Vor allen Arbeiten am Gerät den Wechselakku herausnehmen.



Hände vom Schneidwerkzeug und anderen beweglichen Teilen entfernt halten. Finger können in den Schneidmechanismus geraten und abgetrennt oder verletzt werden.



Zubehör - Im Lieferumfang nicht enthalten, empfohlene Ergänzung aus dem Zubehörprogramm.



Elektrogeräte dürfen nicht zusammen mit dem Hausmüll entsorgt werden. Elektrische und elektronische Geräte sind getrennt zu sammeln und zur umweltgerechten Entsorgung bei einem Verwertungsbetrieb abzugeben. Erkundigen Sie sich bei den örtlichen Behörden oder bei Ihrem Fachhändler nach Recyclinghöfen und Sammelstellen.



CE-Konformitätszeichen



UkrSEPRO Konformitätszeichen



EurAsian Konformitätszeichen



CARACTÉRISTIQUES TECHNIQUES	M18 HCC45
<b>Coupe-câbles</b>	
Numéro de série	4587 00 01... ... 000001-999999
Tension accu interchangeable	18 V
Force nominale	77,8 kN
Zone de coupe Dépend du type de câble	max. Ø 44 mm
ACSR: Aluminium-/Câbles en acier Cuivre / Aluminium	
Poids suivant EPTA-Procédure 01/2003 (Li-Ion 2,0 Ah)	6,0 kg
<b>Informations sur le bruit</b>	
Valeurs de mesure obtenues conformément à la EN 62841. Les mesures réelles (des niveaux acoustiques de l'appareil sont :	
Niveau de pression acoustique (Incertitude K=3dB(A))	76,9 dB(A)
Niveau d'intensité acoustique (Incertitude K=3dB(A))	87,9 dB(A)
<b>Toujours porter une protection acoustique!</b>	
<b>Informations sur les vibrations</b>	
Valeurs totales des vibrations (somme vectorielle de trois sens) établies conformément à EN 62841.	
Valeur d'émission vibratoire <sub>h</sub>	1,2 m/s <sup>2</sup>
Incertitude K=	1,5 m/s <sup>2</sup>

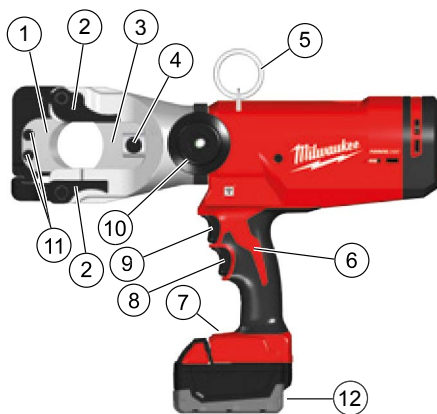


#### AVERTISSEMENT!

Le niveau vibratoire indiqué dans ces instructions a été mesuré selon un procédé de mesure normalisé dans la norme EN 62841 et peut être utilisé pour comparer des outils électriques entre eux. Il convient aussi à une estimation provisoire de la sollicitation par les vibrations. Le niveau vibratoire indiqué représente les applications principales de l'outil électrique. Toutefois, si l'outil électrique est utilisé pour d'autres applications, avec des outils rapportés qui diffèrent ou une maintenance insuffisante, il se peut que le niveau vibratoire diverge. Cela peut augmenter nettement la sollicitation par les vibrations sur tout l'intervalle de temps du travail.

Pour une estimation précise de la sollicitation par les vibrations, on devrait également tenir compte des temps pendant lesquels l'appareil n'est pas en marche ou tourne sans être réellement en service. Cela peut réduire nettement la sollicitation par les vibrations sur tout l'intervalle de temps du travail.

Définissez des mesures de sécurité supplémentaires pour protéger l'utilisateur contre l'influence des vibrations, comme par exemple : la maintenance de l'outil électrique et des outils rapportés, le maintien au chaud des mains, l'organisation des déroulements de travail.



#### Description du dispositif

- |   |                                       |   |                           |
|---|---------------------------------------|---|---------------------------|
| ① | Lame avant                            | ⑦ | LED                       |
| ② | Leviers de relâchement de la mâchoire | ⑧ | Déclencheur de réarmement |
| ③ | Lame arrière                          | ⑨ | Déclencheur               |
| ④ | Broche de retenue des lames           | ⑩ | Poignée supplémentaire    |
| ⑤ | Crochet                               | ⑪ | 5 mm Vis à six pans creux |
| ⑥ | Poignée                               | ⑫ | Batterie                  |

**⚠ AVERTISSEMENT Lisez toutes les consignes de sécurité, instructions, présentations et données que vous recevez avec l'appareil.** Le non-respect des avertissements et instructions indiqués ci après peut entraîner un choc électrique, un incendie et/ou de graves blessures sur les personnes.

**Bien garder tous les avertissements et instructions.**

#### ⚠ CONSIGNES DE SÉCURITÉ POUR LES COUPE-CÂBLES

Pour réduire le risque d'explosions, d'électrocution et de dommages au niveau du matériel et de l'équipement, ne jamais sectionner de câbles électriques sous tension. L'outil n'est PAS isolé. Tenir les mains et les vêtements amples à distance des outils de coupe et autres pièces mobiles. Risque de blessure grave, y compris le sectionnement de membres.

Il est recommandé de porter des articles de protection, tels que masque antipoussière, gants de protection, chaussures tenant bien aux pieds et antidérapantes, casque et protection acoustique.

Utiliser l'équipement de protection. Toujours porter des lunettes de sécurité lors du travail avec le coupe-câble.

Éviter le démarrage accidentel du coupe-câble. Avant de le raccorder à une batterie amovible, s'assurer que le déclencheur est verrouillé avec le commutateur de verrouillage.

Ne jamais tenir le coupe-câble au niveau des mâchoires de coupe.

Avant l'usage, toujours vérifier que les mâchoires de coupe ne présentent pas de fissures ou d'autres signes d'usure.

Uniquement utiliser le coupe-câble, la batterie amovible et le chargeur s'ils sont en parfait état technique.

Faire immédiatement réparer d'éventuels dommages chez une usine autorisée.

Avant tous travaux sur l'appareil retirer l'accu interchangeable. Le coupe-câble peut uniquement être utilisé avec un outil de coupe inséré.

Retirer les outils de réglage et clés avant de procéder à la coupe. Pour éviter des blessures et des dommages, ne jamais immerger l'outil, la batterie amovible ou le chargeur dans un liquide ou permettre à du liquide d'y pénétrer.

Tenir le coupe-câble par les deux poignées.

En cas d'erreurs au cours du processus de coupe, relâcher immédiatement le déclencheur et appuyer sur le bouton de réinitialisation hydraulique.

La vanne s'ouvrira et le piston rétablira sa position de partance.

## RISQUES RÉSIDUELS

Avant que le processus de coupe ne commence, l'accès doit être bloqué conformément aux réglementations locales.

À tout moment, ne couper que des câbles qui ne sont plus sous tension.

Les câbles ne doivent pas être exposés à des forces mécaniques.

Le non-respect de cette instruction peut entraîner des blessures graves, la mort, un incendie et d'autres dommages matériels résultant d'une électrocution, d'une explosion et/ou d'arcs électriques.

Porter des lunettes de protection.

## UTILISATION CONFORME AUX PRESCRIPTIONS

Le coupe-câble permet de découper des câbles hors tension en cuivre ou aluminium isolé, des câbles en ACSR (câbles aluminium/acier), des câbles en acier, selon le type de câble.

Seule une personne ayant reçu des instructions dans le domaine de l'électrotechnique a le droit de couper ou sectionner des câbles.

L'opérateur de ce coupe-câble doit avoir reçu des instructions concernant les dangers spécifiques associés à son utilisation et des mesures de sécurité essentielles avant de travailler avec pour la première fois et au moins une fois par an par la suite.

La société d'exploitation doit :

- mettre la notice technique à la disposition de l'opérateur et
- s'assurer que l'opérateur l'a lue et comprise.

**⚠ AVERTISSEMENT** Lisez toutes les consignes de sécurité, instructions, présentations et données que vous recevez avec l'appareil. Le non-respect des avertissements et instructions indiqués ci après peut entraîner un choc électrique, un incendie et/ou de graves blessures sur les personnes.

**Bien garder tous les avertissements et instructions.**

## UTILISATION

### Configuration de la zone de travail

Avant le début du travail, mettre les conduites ou câbles hors tension ; cet état doit être maintenu tout au long des travaux.

S'il n'est pas possible d'assurer indubitablement que le câble ou la ligne isolée n'est plus sous tension, tout travail est interdit.

Il faut impérativement tenir compte des consignes de sécurité et réglementations locales.

Les câbles ne doivent pas être exposés à des forces mécaniques et doivent, le cas échéant, être protégés contre les mouvements incontrôlés après la coupe.

N'exposez pas l'appareil à la pluie et ne l'utilisez pas dans un environnement mouillé ou humide.

### Préparation du coupe-câble et de la batterie

Avant toute utilisation :

- Inspecter le coupe-câble pour constater d'éventuels défauts externes
- Vérifier que l'outil de coupe ne présente pas de fissures ou d'autres signes d'usure

Uniquement utiliser en parfait état !

Avant que le processus de coupe ne commence, la capacité de la batterie doit être vérifiée : minimum 33 % (voir description illustrée).

Elle peut devoir être chargée avant que le travail ne commence.

### Préparation du processus de coupe

Soutenez et fixez le câble à couper afin de minimiser le risque de mouvement incontrôlé.

En particulier, les lignes aériennes et les câbles peuvent se mettre en mouvement de façon incontrôlée et provoquer des blessures et / ou des dégradations.

La tête de coupe doit être placée de sorte à former un angle de 90° avec le câble, pour qu'elle se place sans contrainte dans les mâchoires de coupe ouvertes et que les forces de cisaillement défavorables soient évitées.

**⚠ AVERTISSEMENT:** Pour réduire le risque d'explosions, d'électrocution et de dommages au niveau du matériel et de l'équipement, ne jamais sectionner de câbles électriques sous tension.

**L'outil n'est PAS isolé. Un contact avec un circuit sous tension pourrait entraîner des blessures graves ou la mort. Couper le courant avant d'effectuer une coupe. Ne jamais sectionner de conduites de gaz ou de canalisations d'eau. Tenir les mains à distance de toutes les arêtes vives et pièces en déplacement. Risque de lacération et d'amputation.**

**Toujours retirer le bloc-batterie avant de modifier ou retirer des accessoires. Utiliser uniquement des accessoires spécifiquement recommandés pour cet outil. D'autres accessoires pourraient être dangereux.**

**Pour réduire le risque de blessure, porter des lunettes de sécurité ou des lunettes dotées d'écrans latéraux.**

**⚠ AVERTISSEMENT:** Pour réduire le risque de blessures, uniquement couper des matériaux recommandés pour les lames. (cf. « Spécifications ») Ne pas essayer de couper d'autres matériaux.

### Coupe

- Avant de couper, s'assurer que les lames sont correctement installées.

1. Placez le câble à angle droit au niveau des tranchants du coupe-câble. Ne pas essayer de réaliser des coupes en angles, ce qui risque d'endommager la pièce à usiner et les lames.

2. Saisir la (les) poignée(s) fermement.

Tirer et maintenir le déclencheur tout au long de l'opération.

Une LED s'allume lorsque le déclencheur est tiré.

Lorsque la coupe est effectuée ou que l'outil s'arrête, relâchez le déclencheur et actionnez le bouton de réinitialisation afin que les mâchoires de coupe s'ouvrent.

*Remarque: La pièce à usiner peut se déplacer légèrement durant la coupe.*



## Action en cas de défauts

- Le câble peut être entaillé et sous tension, toujours informer le préposé à la sécurité, annuler le processus de coupe, prendre des mesures de sécurité appropriées
- Assurez-vous toujours que le dispositif est et restera déconnecté du secteur avant d'approcher et de toucher le dispositif.
- Appuyer sur le bouton de réinitialisation et le maintenir enclenché jusqu'à ce que le coupe-câble s'ouvre complètement.
- Contrôler la capacité de la batterie
- Contrôler le matériau et l'épaisseur du matériau par rapport aux caractéristiques techniques
- Si vous soupçonnez qu'un câble sous tension a été coupé, le coupe-câble doit être inspecté dans un atelier spécialisé agréé

## Lames bloquées

La saleté et les débris peuvent entraîner un blocage des lames les unes avec les autres après une coupe

- Appuyer sur le déclencheur de réarmement et le maintenir enclenché pour s'assurer que l'outil s'est réinitialisé.
- Retirer le bloc-batterie.
- Suivez la description de l'illustration pour ouvrir les mâchoires de coupe
- Nettoyer la saleté et les débris des lames avant de démarrer une autre coupe.

## Conseils de coupe

- Ne pas essayer de réaliser des coupes en angles, ce qui risque d'endommager la pièce à usiner et les lames.
- Couper du matériau propre pour prolonger la durée de vie de la lame. Essuyer la saleté et les débris du matériau et des lames avant de commencer la coupe.

## ENTRETIEN

Avant tous travaux sur l'appareil retirer l'accu interchangeable.

Ne jamais ouvrir le coupe-câble, la batterie amovible ou le chargeur.

Vérifier que le coupe-câble ne présente pas de problèmes tels que le bruit ou le blocage de pièces en mouvement qui pourrait affecter l'outil.

Vérifier que les outils de coupe ne présentent pas de fissures ou d'autres signes d'usure.

Une fois le travail terminé, nettoyer et lubrifier les outils de coupe.

Vérifier que les arêtes de coupe sont tranchantes et remplacer les mâchoires de coupe usées.

Remplacer les lames lorsqu'elles commencent à être ébréchées ou endommagées. Toujours remplacer l'ensemble des lames. Utiliser uniquement des lames MILWAUKEE.

Vérifier que les outils de coupe peuvent se déplacer librement.

Pour éviter des blessures et des dommages, ne jamais immerger l'outil, la batterie amovible ou le chargeur dans un liquide ou permettre à du liquide d'y pénétrer.

Tenir toujours propres les orifices de ventilation de la machine.

L'appareil contient de l'huile hydraulique qui représente un danger pour les couches aquifères. La vidange incontrôlée ou la décharge non correcte sont punissables.

Le dispositif doit subir une maintenance tous les six à douze mois, en fonction de son utilisation.

Pour en savoir davantage sur les intervalles de maintenance, consulter l'appli ONE-KEY.

Les interventions d'entretien et de réparation devront être effectuées exclusivement par des usines spécialisées et autorisées.

Utiliser uniquement les accessoires Milwaukee et les pièces détachées Milwaukee. Faire remplacer les composants dont le remplacement n'a pas été décrit, par un des centres de service après-vente Milwaukee (observer la brochure avec les adresses de garantie et de service après-vente).

Si besoin est, une vue éclatée de l'appareil peut être fournie. S'adresser, en indiquant bien le numéro porté sur la plaque signalétique, à votre station de service après-vente (voir liste jointe) ou directement à Techtronic Industries GmbH, Max-Eyth-Straße 10, 71364 Winnenden, Germany.

## ONE-KEY™

Pour en savoir plus sur la fonctionnalité ONE-KEY de cet outil, lisez les instructions rapides ci-jointes ou rendez-vous visite sur Internet sur <http://www.milwaukeetool.com/one-key>.

Vous pouvez télécharger l'appli ONE-KEY sur votre smartphone via l'App Store ou Google Play.

En cas de décharge électrostatique, la communication Bluetooth est déconnectée et l'interface de l'application se ferme. L'application ne peut alors pas être utilisée pendant 45 secondes. Au bout de 45 s, il faut réinitialiser l'application pour la redémarrer. » Nous avons considéré que le résultat correspond à notre niveau de performance acceptable minimum en matière de corrosion conformément aux normes EN 301489-1/EN 301489-17. De plus, nous donnerons le guide de fonctionnement au client dans le manuel de l'utilisateur.

## ACCUS

Une température supérieure à 50°C amoindrit la capacité des accus. Éviter les expositions prolongées au soleil ou au chauffage.

Tenir propres les contacts des accus et des chargeurs.

Pour une durée de vie optimale, les accus doivent être chargés à fond après l'utilisation. Recharger les accus avant utilisation après une longue période de non utilisation.

Pour une plus longue durée de vie, enlever les batteries du chargeur de batterie quand celles-ci seront chargées.

En cas d'entreposage de la batterie pour plus de 30 jours, Entrepo- ser la batterie à 27°C environ dans un endroit sec., Entrepo- ser la batterie avec une charge d'environ 30% - 50%. Recharger la batterie tous les 6 mois.

Ne pas jeter les accus interchangeables usés au feu ou avec les déchets ménagers. Milwaukee offre un système d'évacuation écologique des accus usés.

Ne pas conserver les accus interchangeables avec des objets métalliques (risque de court-circuit)

Ne charger les accus interchangeables du système M18 qu'avec le chargeur d'accu du système M18. Ne pas charger des accus d'autres systèmes.

## TRANSPORT DE BATTERIES LITHIUM-ION

Les batteries lithium-ion sont soumises aux dispositions législatives concernant le transport de produits dangereux.

Le transport de ces batteries devra s'effectuer dans le respect des dispositions et des normes locales, nationales et internationales. Les utilisateurs peuvent transporter ces batteries sans restrictions.

Le transport commercial de batteries lithium-ion est réglé par les dispositions concernant le transport de produits dangereux. La préparation au transport et le transport devront être effectués uniquement par du personnel formé de façon adéquate. Tout le procédé devra être géré d'une manière professionnelle.

Durant le transport de batteries il faut respecter les consignes suivantes :

S'assurer que les contacts soient protégés et isolés en vue d'éviter des courts-circuits. S'assurer que le groupe de batteries ne puisse pas se déplacer à l'intérieur de son emballage. Des batteries endommagées ou des batteries perdant du liquide ne devront pas être transportées. Pour tout renseignement complémentaire veuillez vous adresser à votre transporteur professionnel.

## DÉCLARATION CE DE CONFORMITÉ

Nous déclarons, sous notre responsabilité exclusive, que le produit décrit ici dans les « Caractéristiques techniques » satisfait à toutes les dispositions pertinentes des directives

2011/65/UE RoHS, 2006/42/CE, 2014/30/UE, 2014/53/EU et que les normes harmonisées suivantes ont été appliquées.

EN 62841-1:2015

EN 62479:2010

EN 60950-1:2006+A11:2009+A1:2010+A12:2011+AC:2011+A2:2013

EN 55014-1:2006+A1:2009+A2:2011

EN 55014-2:2015

EN 50581:2012

EN 301 489-1 V1.9.2 (2011-09)

EN 301 489-17 V2.2.1 (2012-09)

EN 300 328 V1.9.1 (2015-02)



Winnenden, 2017-05-03

Alexander Krug / Managing Director

Autorisé à compiler la documentation technique.

Techtronic Industries GmbH

Max-Eyth-Straße 10, 71364 Winnenden, Germany

## SYMBOLES



Veillez lire avec soin le mode d'emploi avant la mise en service



AVERTISSEMENT!  
Risque de blessures dû à la projection de fragments



Toujours porter des lunettes protectrices en travaillant avec la machine.



Risque d'électrocution



ATTENTION! AVERTISSEMENT! DANGER!



Avant tous travaux sur l'appareil retirer l'accu interchangeable.



Tenir les mains à distance de l'outil de coupe et autres pièces mobiles. Les doigts peuvent pénétrer dans le mécanisme de coupe et être sectionnés ou blessés.



Accessoires - Ces pièces ne font pas partie de la livraison. Il s'agit là de compléments recommandés pour votre machine et énumérés dans le catalogue des accessoires.



Les dispositifs électriques ne sont pas à éliminer dans les déchets ménagers. Les dispositifs électriques et électroniques sont à collecter séparément et à remettre à un centre de recyclage en vue de leur élimination dans le respect de l'environnement. S'adresser aux autorités locales ou au détaillant spécialisé en vue de connaître l'emplacement des centres de recyclage et des points de collecte.



Marque CE



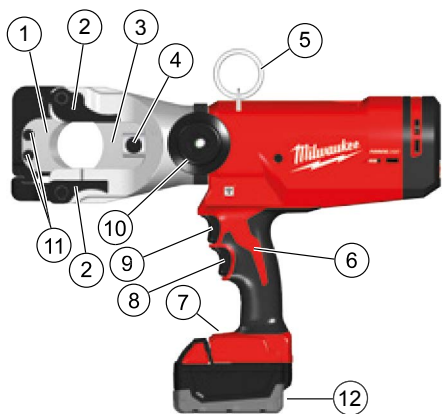
Marque de qualité UkrSEPRO



Marque de qualité EurAsian



DATI TECNICI	M18 HCC45
<b>Tagliacavi</b>	
Numero di serie	4587 00 01... ... 000001-999999
Tensione batteria	18 V
Forza nominale	77,8 kN
Area di taglio A seconda del tipo di cavo	max. Ø 44 mm
ACSR: Alluminio-/Funi in acciaio Rame / Alluminio	
Peso secondo la procedura EPTA 01/2003 (Li-Ion 2,0 Ah)	6,0 kg
<b>Informazioni sulla rumorosità</b>	
Valori misurati conformemente alla norma EN 62841. La misurazione A del livello di pressione acustica dell'utensile è di solito di:	
Livello di rumorosità (Incertezza della misura K=3dB(A))	76,9 dB(A)
Potenza della rumorosità (Incertezza della misura K=3dB(A))	87,9 dB(A)
<b>Utilizzare le protezioni per l'udito!</b>	
<b>Informazioni sulle vibrazioni</b>	
Valori totali delle oscillazioni (somma di vettori in tre direzioni) misurati conformemente alla norma EN 62841	
Valore di emissione dell'oscillazione <sub>h</sub>	1,2 m/s <sup>2</sup>
Incertezza della misura K=	1,5 m/s <sup>2</sup>



#### Descrizione del dispositivo

- |                                   |                                   |
|-----------------------------------|-----------------------------------|
| ① Telaio anteriore                | ⑦ LED                             |
| ② Leve di rilascio della ganascia | ⑧ Rilascio levetta di scatto      |
| ③ Telaio posteriore               | ⑨ Levetta di scatto               |
| ④ Perno di fissaggio del telaio   | ⑩ Impugnatura supplementare       |
| ⑤ Gancio                          | ⑪ 5 mm Viti con incasso esagonale |
| ⑥ Impugnatura                     | ⑫ Batteria                        |

**⚠ AVVERTENZA** Leggere tutte le avvertenze di sicurezza, le istruzioni, le illustrazioni e i dati forniti a corredo dell'apparecchio. In caso di mancato rispetto delle avvertenze di pericolo e delle istruzioni operative si potrà creare il pericolo di scosse elettriche, incendi e/o incidenti gravi. **Conservare tutte le avvertenze di pericolo e le istruzioni operative per ogni esigenza futura.**

**⚠ AVVERTENZE DI SICUREZZA PER TAGLIACAVI**  
Per ridurre il rischio di esplosioni, scosse elettriche e danni alla proprietà e all'apparecchiatura, non tagliare mai cavi elettrici sotto tensione. L'utensile NON è isolato.

Tenere le mani e abiti larghi lontano dagli utensili di taglio e da altre parti mobili. Sussiste il rischio di gravi lesioni, tra cui la recisione degli arti.

Si consiglia di indossare indumenti di protezione come maschera antipolvere, guanti di protezione, scarpe antiscivolo robuste, casco e cuffie di protezione acustica.

Usare dispositivi di protezione. Indossare sempre occhiali protettivi quando si lavora con il tagliacavi.

Prevenire l'avvio accidentale del tagliacavi. Prima di collegare a una batteria rimovibile, assicurarsi che la levetta di scatto sia stata messa in sicurezza tramite l'interruttore di arresto.

Non impugnare mai il tagliacavi dalle ganasce di taglio.

Prima di utilizzare il tagliacavi, controllare sempre che non vi siano incrinature o altri segni di usura sulle ganasce.

Utilizzare il tagliacavi, la batteria rimovibile e il caricabatteria solo se in condizioni tecniche perfette.

Fare immediatamente riparare eventuali danni da un'officina autorizzata.

#### AVVERTENZA!

Il livello di vibrazioni indicato nelle presenti istruzioni è stato misurato in conformità con un procedimento di misurazione codificato nella EN 62841 e può essere utilizzato per un confronto tra attrezzi elettrici. Inoltre si può anche utilizzare per una valutazione preliminare della sollecitazione da vibrazioni.

Il livello di vibrazioni indicato rappresenta le applicazioni principali dell'attrezzo elettrico. Se viceversa si utilizza l'attrezzo elettrico per altri scopi, con accessori differenti o con una manutenzione insufficiente, il livello di vibrazioni può risultare diverso. E questo può aumentare decisamente la sollecitazione da vibrazioni lungo l'intero periodo di lavorazione.

Ai fini di una valutazione precisa della sollecitazione da vibrazioni si dovrebbero tenere presente anche i periodi in cui l'apparecchio rimane spento oppure, anche se acceso, non viene effettivamente utilizzato. Ciò può ridurre notevolmente la sollecitazione da vibrazioni lungo l'intero periodo di lavorazione.

Stabilite misure di sicurezza supplementari per la tutela dell'operatore dall'effetto delle vibrazioni, come ad esempio: manutenzione dell'attrezzo elettrico e degli accessori, riscaldamento delle mani, organizzazione dei processi di lavoro.

Prima di iniziare togliere la batteria dall'apparecchio.

Il tagliacavi può essere utilizzato solo se è stato inserito un utensile da taglio.

Rimuovere tutti gli utensili di regolazione e le chiavi prima di procedere al taglio.

Per evitare lesioni o danni, non immergere mai l'utensile, la batteria rimovibile o il caricabatteria in un liquido e non consentire mai a un liquido di penetrare nell'utensile, nella batteria rimovibile o nel caricabatteria.

Impugnare il tagliacavi con entrambe le mani.

In caso di disturbi durante il processo di taglio, rilasciare immediatamente la levetta di scatto e premere il pulsante di reset idraulico.

La valvola si aprirà e lo stantuffo tornerà nella sua posizione di partenza.

## RISCHI RESIDUI

Prima di iniziare il processo di taglio occorre bloccare l'accesso in conformità alle disposizioni locali.

Tagliare solo cavi che siano stati scollegati dall'alimentazione elettrica.

Cavi e funi non possono essere sottoposti a forze meccaniche.

La mancata osservanza di questa misura può portare a lesioni gravi, morte, incendio o altri danni alla proprietà come risultato di una scossa elettrica, di un'esplosione e/o di un arco elettrico.

Indossare occhiali protettivi.

## UTILIZZO CONFORME

Il tagliacavi è adatto a troncare cavi privi di tensione in rame o alluminio isolati, funi in ACSR (funi in alluminio/acciaio), funi in acciaio, a seconda dei diversi tipi di cavo.

Il taglio o la troncatura di cavi e funi per mezzo di questo tagliacavi possono essere svolti esclusivamente da personale elettrotecnico qualificato.

L'operatore di questo tagliacavi deve essere stato istruito sui pericoli specifici associati all'uso del tagliacavi e sulle essenziali misure di sicurezza prima di iniziare a lavorare con il tagliacavi per la prima volta, e successivamente almeno una volta l'anno.

Il gestore deve:

- mettere a disposizione dell'operatore il manuale d'uso
- assicurarsi che l'operatore l'abbia letto e compreso.

**⚠ AVVERTENZA Leggere tutte le avvertenze di sicurezza, le istruzioni, le illustrazioni e i dati forniti a corredo dell'apparecchio.**

In caso di mancato rispetto delle avvertenze di pericolo e delle istruzioni operative si potrà creare il pericolo di scosse elettriche, incendi e/o incidenti gravi.

**Conservare tutte le avvertenze di pericolo e le istruzioni operative per ogni esigenza futura.**

## APPLICAZIONE

### Allestimento della zona di lavoro

Prima di iniziare a lavorare, per le condotte o le funi devono essere create condizioni di assenza di tensione, che vanno garantite per tutta la durata dei lavori.

Se non è possibile garantire con certezza che il cavo o la linea isolata siano stati scollegati, non è possibile eseguire lavori.

Le prescrizioni di sicurezza e le norme locali devono essere assolutamente rispettate.

Cavi e funi non possono essere sottoposti a forze meccaniche e all'occorrenza vanno assicurati per impedirne movimenti fuori controllo dopo il taglio.

Non esporre l'apparecchio alla pioggia, non utilizzarla nell'ambiente bagnato o umido.

### Preparazione dei tagliacavi e della batteria

Prima di ogni utilizzo:

- Controllare che il tagliacavi non abbia difetti esterni
- Controllare che non vi siano incrinature o altri segni di usura sul tagliacavi

Utilizzare solo se in perfette condizioni!

Prima di iniziare il processo di taglio, occorre verificare la carica della batteria: minimo 33% (vedere illustrazione).

Se necessario, la batteria deve essere caricata prima di iniziare il lavoro.

### Preparazione per il processo di taglio

Sostenere e fissare il cavo o la fune da tagliare, per ridurre al minimo il rischio di un movimento incontrollato.

In particolare le condotte aeree e le funi possono subire movimenti incontrollati e causare lesioni e/o danni.

La testa di taglio deve essere applicata sul cavo o sulla fune con un angolo di 90°, in modo che essi si collochino senza tensioni nelle ganasce di taglio aperte, onde evitare forze di taglio sfavorevoli.

**⚠ AVVERTENZA: Per ridurre il rischio di esplosioni, scosse elettriche e danni alla proprietà e all'apparecchiatura, non tagliare mai cavi elettrici sotto tensione.**

**L'utensile NON è isolato. Il contatto con un circuito sotto tensione può causare lesioni gravi o la morte. Interrompere sempre l'alimentazione elettrica prima di eseguire un taglio. Non tagliare mai condotte del gas o condotte d'acqua. Tenere le mani lontane dagli utensili da taglio e dalle parti in movimento. Pericolo di lacerazione e amputazione.**

**Rimuovere sempre il pacco batterie prima di sostituire o rimuovere gli accessori. Utilizzare esclusivamente accessori raccomandati per questo utensile. L'uso di accessori diversi è pericoloso.**

**Per ridurre il rischio di lesioni, indossare occhiali di sicurezza o occhiali con protezioni laterali.**

**⚠ AVVERTENZA: Per ridurre il rischio di lesioni, tagliare solo materiale adatto alle lame montate (vedere „Dati tecnici“). Non provare a tagliare materiali diversi.**

### Taglio

- Prima di iniziare a tagliare, assicurarsi che le lame siano state montate correttamente.

1. Muovere il cavo perpendicolarmente al filo della lama del tagliacavi. Evitare di eseguire tagli obliqui, onde evitare di danneggiare il pezzo e le lame.

2. Afferrare saldamente l'utensile con entrambe le mani. Premere la levetta di scatto e tenerla premuta durante l'intera operazione.

Non appena la levetta di scatto venga premuta, si accende una spia LED.

Una volta eseguito il taglio, o una volta disattivato l'utensile,





rilasciare nuovamente il pulsante di attivazione e azionare l'interruttore di ritorno, in modo da aprire le ganasce di taglio.

*Avviso: È possibile che il cavo si muova leggermente durante l'operazione di taglio.*

### Comportamento in caso di guasti

- il cavo può essere intaccato e sotto tensione, informare sempre il responsabile della sicurezza, interrompere la procedura di taglio, applicare le misure di sicurezza adeguate
- Assicurarsi sempre che il dispositivo sia scollegato e rimanga scollegato dall'alimentazione elettrica prima di avvicinarsi e toccare il dispositivo
- premere e tenere premuto il pulsante reset fino a quando il tagliacavi non si apra completamente
- controllare la capacità della batteria
- controllare il materiale e lo spessore del materiale in base ai dati tecnici
- Se si sospetta di avere tagliato un cavo sotto tensione, il tagliacavi deve essere controllato in un'officina specializzata autorizzata

### Le lame si sono inceppate

Sporco e residui possono causare l'inceppamento delle lame dopo un'operazione di taglio

- Premere e rilasciare il rilascio della levetta di scatto per assicurarsi che l'utensile sia resettato.
- Rimuovere il pacco batteria.
- Seguire la descrizione per immagini ai fini dell'apertura delle ganasce di taglio
- Rimuovere sporco e residui dalle lame prima di iniziare un'altra operazione di taglio.

### Consigli per il taglio di cavi

- Evitare di eseguire tagli obliqui, onde evitare di danneggiare il pezzo e le lame.
- Tagliare materiale pulito per allungare la durata di vita delle lame. Rimuovere sporco e residui dal materiale e dalle lame prima di iniziare l'operazione di taglio.

### MANUTENZIONE

Prima di iniziare togliere la batteria dall'apparecchio.

Non aprire mai il tagliacavi, la batteria rimovibile o il caricabatteria.

Controllare che il tagliacavi non presenti eventuali problemi, come rumore, inceppamento o parti in movimento che potrebbero avere effetti sull'utensile.

Controllare che non vi siano incrinature o altri segni di usura sugli utensili da taglio.

Una volta completato il lavoro, pulire e ingrassare gli utensili da taglio.

Controllare che gli spigoli di taglio siano affilati e sostituire le ganasce di taglio usurate.

Sostituire le lame quando siano scheggiate o danneggiate. Sostituire sempre entrambe le lame. Utilizzare esclusivamente lame MILWAUKEE.

Controllare che gli utensili da taglio non siano ostacolati nel movimento.

Per evitare lesioni o danni, non immergere mai l'utensile, la batteria rimovibile o il caricabatteria in un liquido, né consentire mai che un liquido penetri nell'utensile, nella batteria rimovibile o nel caricabatteria.

Tener sempre ben pulite le fessure di ventilazione dell'apparecchio.

L'apparecchio contiene olio idraulico che costituisce un pericolo per le falde acquifere. Lo scarico incontrollato o lo smaltimento non corretto sono punibili.

La manutenzione del dispositivo deve essere eseguita ogni 6 - 12 mesi, a seconda dell'utilizzo.

Per maggiori dettagli sugli intervalli di manutenzione, consultare l'app ONE-KEY.

Gli interventi di manutenzione e di riparazione dovranno essere eseguiti esclusivamente da officine specializzate autorizzate.

Usare solo accessori Milwaukee e pezzi di ricambio Milwaukee. Gruppi costruttivi la cui sostituzione non è stata descritta, devono essere fatti cambiare da un punto di servizio di assistenza tecnica al cliente Milwaukee (vedi depliant garanzia/indirizzi assistenza tecnica ai clienti).

In caso di mancanza del disegno esploso, può essere richiesto al seguente indirizzo: Techtronic Industries GmbH, Max-Eyth-Str. 10, 71364 Winnenden, Germany.

### ONE-KEY™

Per saperne di più sulla funzionalità ONE-KEY di questo utensile, leggere le istruzioni di messa in funzione rapida allegate oppure visitateci in Internet su <http://www.milwaukeetool.com/one-key>.

È possibile scaricare sullo smartphone l'app ONE-KEY dall'App Store o da Google Play.

In caso di scarica elettrostatica, la comunicazione Bluetooth si disconnette e si esce dall'interfaccia dell'App. L'app non funziona per 45 secondi. Dopo 45 s, bisogna resettare l'APP per ripristinarla." Il prodotto rispetcia il nostro livello minimo accettabile di prestazioni secondo le norme EN 301489-1/ EN 301489-17. Forniremo al cliente una guida al funzionamento nel manuale d'uso.

### BATTERIE

A temperature superiori ai 50°C, la potenza della batteria si riduce.

Evitare di esporre l'accumulatore a surriscaldamento prolungato, dovuto ad esempio ai raggi del sole o ad un impianto di riscaldamento.

Per una ottimale vita utile è necessario ricaricare completamente le batterie dopo l'uso. Batterie non utilizzate per molto tempo devono essere ricaricate prima dell'uso.

Per una più lunga durata, rimuovere le batterie dal caricabatterie quando saranno cariche.

In caso di immagazzinaggio della batteria per più di 30 giorni, immagazzinare la batteria a circa 27°C in ambiente asciutto., Immagazzinare la batteria con carica di circa il 30% - 50%. Ricaricare la batteria ogni 6 mesi.

Non gettare le batterie esaurite sul fuoco o nella spazzatura di casa. La Milwaukee offre infatti un servizio di recupero batterie usate.

Nel vano d'innesto per la batteria del caricatore non devono entrare parti metalliche.(pericolo di cortocircuito).

Le batterie del System M18 sono ricaricabili esclusivamente con i caricatori del System M18. Le batterie di altri sistemi non possono essere ricaricate.

### TRASPORTO DI BATTERIE AGLI IONI DI LITIO

Le batterie agli ioni di litio sono soggette alle disposizioni di legge sul trasporto di merce pericolosa.

Il trasporto di queste batterie deve avvenire rispettando le disposizioni e norme locali, nazionali ed internazionali.

Gli utilizzatori possono trasportare queste batterie su strada senza alcuna restrizione.



Il trasporto commerciale di batterie agli ioni di litio è regolato dalle disposizioni sul trasporto di merce pericolosa. Le preparazioni al trasporto ed il trasporto stesso devono essere svolti esclusivamente da persone idoneamente istruite. Tutto il processo deve essere gestito in maniera professionale.

Durante il trasporto di batterie occorre tenere conto di quanto segue:

Assicurarsi che i contatti siano protetti ed isolati per evitare corto circuiti. Accertarsi che il gruppo di batterie non possa spostarsi all'interno dell'imballaggio. Batterie danneggiate o batterie che perdono liquido non devono essere trasportate. Per ulteriori informazioni si prega di contattare il proprio trasportatore.

#### DICHIARAZIONE DI CONFORMITÀ CE

Assumendone la piena responsabilità, dichiariamo che il prodotto descritto nei "Dati tecnici" è conforme alle pertinenti disposizioni delle direttive

2011/65/UE RoHS, 2006/42/CE, 2014/30/UE, 2014/53/EU e che sono state applicate le seguenti norme armonizzate

EN 62841-1:2015

EN 62479:2010

EN 60950-1:2006+A11:2009+A1:2010+A12:2011+AC:2011+A2:2013

EN 55014-1:2006+A1:2009+A2:2011

EN 55014-2:2015

EN 50581:2012

EN 301 489-1 V1.9.2 (2011-09)

EN 301 489-17 V2.2.1 (2012-09)

EN 300 328 V1.9.1 (2015-02)



Winnenden, 2017-05-03

Alexander Krug / Managing Director

Autorizzato alla preparazione della documentazione tecnica

Techtronic Industries GmbH

Max-Eyth-Straße 10, 71364 Winnenden, Germany

#### SIMBOLI



Leggere attentamente le istruzioni per l'uso prima di mettere in funzione l'elettro utensile.



**AVVERTENZA!**

Pericolo di lesioni a causa dell'espulsione di frammenti



Durante l'uso dell'apparecchio utilizzare sempre gli occhiali di protezione.



Pericolo di scossa elettrica



**ATTENZIONE! AVVERTENZA! PERICOLO!**



Prima di iniziare togliere la batteria dall'apparecchio.



Tenere le mani lontano dall'utensile da taglio e da altre parti mobili. Le dita potrebbero entrare nel meccanismo di taglio ed essere troncate o ferite.



Accessorio - Non incluso nella dotazione standard, disponibile a parte come accessorio.



I dispositivi elettrici non devono essere smaltiti con i rifiuti domestici. I dispositivi elettrici ed elettronici devono essere raccolti separatamente e devono essere conferiti ad un centro di riciclaggio per lo smaltimento rispettoso dell'ambiente. Chiedere alle autorità locali o al rivenditore specializzato dove si trovano i centri di riciclaggio e i punti di raccolta.



Marchio CE



Marchio di conformità UkrSEPRO



Marchio di conformità EurAsian



DATOS TÉCNICOS	
<b>Cortacables</b>	
Número de producción	4587 00 01... ... 000001-999999
Voltaje de batería	18 V
Fuerza nominal	77,8 kN
Área de corte Depende del tipo de cable	máx. Ø 44 mm
ACSR: Aluminio-/Cables de acero Cobre / Aluminio	
Peso de acuerdo con el procedimiento EPTA 01/2003 (Li-Ion 2,0 Ah)	6,0 kg
<b>Información sobre ruidos</b>	
Determinación de los valores de medición según norma EN 62841. El nivel de ruido típico del aparato determinado con un filtro A corresponde a:	
Presión acústica (Tolerancia K=3dB(A))	76,9 dB(A)
Resonancia acústica (Tolerancia K=3dB(A))	87,9 dB(A)
<b>Usar protectores auditivos!</b>	
<b>Informaciones sobre vibraciones</b>	
Nivel total de vibraciones (suma vectorial de tres direcciones) determinado según EN 62841.	
Valor de vibraciones generadas <sub>h</sub>	1,2 m/s <sup>2</sup>
Tolerancia K=	1,5 m/s <sup>2</sup>



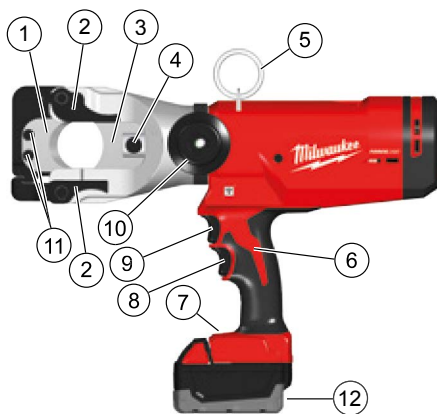
### ADVERTENCIA!

El nivel vibratorio indicado en estas instrucciones ha sido medido conforme a un método de medición estandarizado en la norma EN 62841, y puede utilizarse para la comparación entre herramientas eléctricas. También es apropiado para una estimación provisional de la carga de vibración.

El nivel vibratorio indicado representa las aplicaciones principales de la herramienta eléctrica. Si, pese a ello, se utiliza la herramienta eléctrica para otras aplicaciones, con útiles adaptables diferentes o con un mantenimiento insuficiente, el nivel vibratorio puede diferir. Esto puede incrementar sensiblemente la carga de vibración durante todo el periodo de trabajo.

Para una estimación exacta de la carga de vibración deberían tenerse en cuenta también los tiempos durante los que el aparato está apagado o, pese a estar en funcionamiento, no está siendo realmente utilizado. Esto puede reducir sustancialmente la carga de vibración durante todo el periodo de trabajo.

Adopte medidas de seguridad adicionales para la protección del operador frente al efecto de las vibraciones, como por ejemplo: mantenimiento de la herramienta eléctrica y de los útiles adaptables, mantener las manos calientes, organización de los procesos de trabajo.



### Descripción del dispositivo

- |  |                          |
|--|--------------------------|
| ① Cuchilla frontal                     | ⑥ Empuñadura             |
| ② Palancas de liberación de la mordaza | ⑦ LED                    |
| ③ Cuchilla trasera                     | ⑧ Disparador de apertura |
| ④ Clavija de sujeción de la cuchilla   | ⑨ Disparador             |
| ⑤ Gancho                               | ⑩ Empuñadura adicional   |
|  | ⑪ 5 mm Tornillos Allen   |
|  | ⑫ Batería                |

**⚠ ADVERTENCIA** Lea las indicaciones de seguridad, instrucciones, descripciones y datos que se incluyen en el aparato. En caso de no atenderse a las advertencias de peligro e instrucciones siguientes, ello puede ocasionar una descarga eléctrica, un incendio y/o lesión grave.

**Guardar todas las advertencias de peligro e instrucciones para futuras consultas.**

### ⚠ INDICACIONES DE SEGURIDAD PARA EL CORTACABLES

Para reducir el riesgo de explosiones, descargas eléctricas y daños a la propiedad, nunca corte líneas eléctricas energizadas. La herramienta NO está aislada.

Mantenga las manos y prendas de ropa ligeras alejadas de las herramientas de corte y otras piezas móviles. Existe riesgo de lesiones graves, incluyendo la amputación de extremidades.

Se recomienda utilizar ropa de protección como máscara protectora contra el polvo, guantes protectores, calzado resistente y antideslizante, casco y protección para los oídos.

Utilice el equipamiento de protección. Lleve siempre puestas gafas de seguridad cuando trabaje con el cortador de cables.

Prevenga un encendido accidental del cortador de cables. Antes de conectarlo a una batería extraíble, asegúrese de que el disparador está asegurado con un bloqueo de encendido.

Nunca sujete el cortador de cables por las mordazas de corte.

Antes de utilizarlo, compruebe siempre las mordazas de corte en busca de grietas u otros signos de desgaste.

Utilice únicamente el cortador de cables, la batería extraíble y el cargador si se encuentran en perfecto estado técnico.

Los deterioros deben ser reparados inmediatamente por un taller especializado autorizado.

Retire la batería antes de comenzar cualquier trabajo el aparato. El cortador de cables solo puede utilizarse con una herramienta de corte insertada.

Retire cualquier herramienta de ajuste o llaves antes de hacer el corte.

Para evitar lesiones y daños, nunca sumerja la herramienta, la batería extraíble o el cargador en líquidos ni permita que penetre líquido en su interior.

Sujete el cortador de cables por ambas empuñaduras.

En caso de fallos durante el proceso de corte, suelte el disparador inmediatamente y accione el botón de restablecimiento hidráulico.

La válvula se abre y el émbolo se vuelve a desplazar a la posición inicial.

## PELIGROS RESIDUALES

Antes de que comience el proceso de corte, se deberá cerrar el acceso de conformidad con las disposiciones locales.

Solo deberán cortarse cables que se hayan desconectado de la fuente de alimentación.

Las líneas eléctricas y los cables no pueden someterse a ningún tipo de fuerzas mecánicas.

La inobservancia de esta instrucción puede derivar en lesiones graves, la muerte, incendio y otros tipos de daños a la propiedad como resultado de una descarga eléctrica, una explosión y/o arcos eléctricos. Llevar gafas de protección.

## APLICACIÓN DE ACUERDO A LA FINALIDAD

El cortacables es adecuado para la separación de cables desenergizados de cobre o aluminio aislados, cables ACSR (cables de aluminio/acero), cables de acero, dependiendo respectivamente del tipo de cable.

Solo el personal capacitado especialmente en electrotecnia podrá llevar a cabo el corte o la separación de líneas eléctricas y cables utilizando este cortacables.

El operario de este cortador de cables debe haber recibido las instrucciones adecuadas sobre los peligros específicos asociados al uso del mismo y en cuanto a las medidas de seguridad esenciales antes de trabajar con él por primera vez y, como mínimo, una vez al año a partir de entonces.

La compañía operadora debe:

- poner el manual de instrucciones a disposición del operario y
- asegurar que el operario lo haya leído y comprendido.

**⚠️ ADVERTENCIA** Lea las indicaciones de seguridad, instrucciones, descripciones y datos que se incluyen en el aparato. En caso de no atenderse a las advertencias de peligro e instrucciones siguientes, ello puede ocasionar una descarga eléctrica, un incendio y/o lesión grave. **Guardar todas las advertencias de peligro e instrucciones para futuras consultas.**

## APLICACIÓN

### Configuración del área de trabajo

Antes de comenzar con los trabajos se deberán desenergizar las líneas eléctricas o los cables, y asegurarlos durante el tiempo que dure el trabajo.

Si no puede asegurarse más allá de toda duda que el cable o la línea aislada han sido desconectados, no se podrá llevar a cabo trabajo alguno.

Se deberán tener en cuenta obligatoriamente las disposiciones y las normas de seguridad locales.

Las líneas eléctricas y los cables no pueden someterse a ningún tipo de fuerzas mecánicas y, a su vez, tienen que estar asegurados contra movimientos incontrolados tras el corte.

No exponga las herramientas a la lluvia. No utilice las herramientas en lugares húmedos o mojados.

### Preparación del cortador de cables y de la batería

Antes de cada uso:

- Inspeccione el cortador de cables en busca de defectos externos
- Compruebe la herramienta de corte en busca de grietas u otros signos de desgaste

¡Utilice el dispositivo únicamente en perfectas condiciones!

Antes de que comience el proceso de corte, se deberá comprobar la capacidad de la batería: mínimo 33 % (véase la ilustración de la descripción).

Puede ser necesario cargarla antes de comenzar a trabajar.

### Preparación para el proceso de corte

Apoye y fije la línea eléctrica o el cable a cortar con el fin de minimizar el riesgo de movimientos incontrolados.

En particular, las líneas aéreas y los cables pueden moverse sin control y causar lesiones y/o daños.

El cabezal de corte tiene que colocarse sobre la línea eléctrica o el cable en un ángulo de 90°, de forma que se sitúe en las mordazas abiertas sin tensión para poder evitar fuerzas de corte desfavorables.

**⚠️ ADVERTENCIA:** Para reducir el riesgo de explosiones, descargas eléctricas y daños a la propiedad, nunca corte líneas eléctricas energizadas.

**La herramienta NO está aislada. El contacto con un circuito energizado puede resultar en lesiones graves o la muerte. Interrumpa el suministro eléctrico antes de hacer un corte. Nunca corte conductos de gas o tuberías de agua. Mantenga las manos alejadas de todos los bordes cortantes y de las piezas móviles. Pueden producirse laceraciones y amputaciones.**

**Retire siempre la batería antes de cambiar o retirar accesorios. Utilice únicamente accesorios recomendados específicamente para esta herramienta. Otros podrían ser peligrosos.**

**Para reducir el riesgo de lesiones, lleve puestas gafas de seguridad o gafas con visera deslizable.**

**⚠️ ADVERTENCIA:** Para reducir el riesgo de lesiones, corte únicamente materiales recomendados para las cuchillas. (véanse las „especificaciones“) No intente cortar otros materiales.

### Proceso de corte

- Antes de cortar, asegúrese de que las cuchillas estén instaladas correctamente.
- 1. Coloque el cable en ángulo recto sobre la cuchilla del cortacables. No intente hacer cortes angulares, pues esto dañará la pieza de trabajo y las cuchillas.
- 2. Sujete la(s) empuñadura(s) firmemente.



E

Pulse el disparador y manténgalo pulsado durante la operación. Cuando el disparador esté pulsado se encenderá una luz LED. Cuando se haya efectuado el corte o la herramienta se haya apagado, vuelva a soltar el gatillo y accione el interruptor de retroceso para que se abran las mordazas de corte.

*Observación: La pieza de trabajo puede moverse ligeramente durante el corte.*

### Cómo actuar en caso de fallos

- El cable puede estar cortado y energizado, siempre se debe informar al encargado de seguridad, detener el proceso de corte y tomar las medidas de seguridad adecuadas
- Asegúrese siempre de que el dispositivo está y permanecerá desconectado del suministro eléctrico antes de aproximarse y tocar el dispositivo
- Pulse y mantenga pulsado el botón de restablecimiento hasta que el cortador se abra completamente
- Compruebe la capacidad de la batería
- Compruebe el material y el grosor del material comparándolos con los datos técnicos
- Si se sospecha que se ha cortado un cable energizado, se deberá inspeccionar el cortador de cables en un taller especializado autorizado

### Cuchillas atascadas

La suciedad y los restos de material pueden hacer que las cuchillas se atasquen después de hacer un corte

- Pulse y mantenga pulsado el disparador de apertura para asegurar que la herramienta se ha restablecido.
- Retirar la batería.
- Siga la descripción de la imagen para abrir las mordazas
- Retire cualquier suciedad o restos de material de las cuchillas antes de iniciar un nuevo corte.

### Consejos para cortar

- No intente hacer cortes angulares, pues esto dañará la pieza de trabajo y las cuchillas.
- Corte material limpio para prolongar la vida útil de las cuchillas. Retire la suciedad y los restos del material y de las cuchillas antes de comenzar el corte.

### MANTENIMIENTO

Retire la batería antes de comenzar cualquier trabajo el aparato.

Nunca abra el cortador de cables, la batería extraíble o el cargador.

Compruebe el cortador de cables en busca de cualquier tipo de problemas como ruidos o atascos de las piezas móviles que puedan afectar a la herramienta.

Compruebe las herramientas de corte en busca de grietas u otros signos de desgaste.

Al completar el trabajo de corte, limpie y engrase las herramientas de corte.

Compruebe que los bordes de corte estén afilados y sustituya las mordazas de corte desgastadas.

Sustituya las cuchillas cuando presenten grietas o estén dañadas. Sustituya siempre el juego completo de las cuchillas. Utilice únicamente cuchillas MILWAUKEE.

Compruebe que las herramientas de corte se puedan mover libremente.

Para evitar lesiones y daños, nunca sumerja la herramienta, la batería extraíble o el cargador en líquidos ni permita que penetre

líquido en su interior.

Las ranuras de ventilación de la máquina deben estar despejadas en todo momento.

El aparato contiene aceite hidráulico que supone un peligro para las aguas subterráneas. La evacuación incontrolada o eliminación inadecuada se penalizan legalmente.

El dispositivo debe someterse a mantenimiento cada seis o doce meses, dependiendo del uso.

Puede encontrar más información acerca de los intervalos de mantenimiento a través de la aplicación ONE-KEY.

Los trabajos de mantenimiento y reparación deben ser realizados únicamente por talleres especializados autorizados.

Utilice solamente accesorios y repuestos Milwaukee. En caso de necesitar reemplazar componentes no descritos, contacte con cualquiera de nuestras estaciones de servicio Milwaukee (consulta lista de servicio técnicos)

En caso necesario, puede solicitar un despiece de la herramienta. Por favor indique el número de impreso que hay en la etiqueta y pida el despiece a la siguiente dirección: Techtronic Industries GmbH, Max-Eyth-Straße 10, 71364 Winnenden, Germany.

### ONE-KEY™

Para obtener más información sobre la función ONE-KEY de esta herramienta, lea la guía de inicio rápido adjunta o visite nuestra web en <http://www.milwaukeetool.com/one-key>.

Puede descargar en su teléfono móvil la aplicación ONE-KEY en la App Store o en Google Play.

Cuando se experimente una descarga electrostática, la comunicación vía Bluetooth se desconectará y la interfaz de la aplicación se cerrará. La app no podrá usarse durante 45 segundos. Transcurridos 45 s. se deberá restablecer la aplicación a „recuperar“. Consideramos que el rendimiento se encuentra dentro de nuestro nivel de rendimiento mínimo aceptable de conformidad con EN 301489-1/ EN 301489-17. Y ofreceremos al cliente las indicaciones de uso en nuestro manual de usuario.

### BATERIA

Las temperaturas superiores a 50°C reducen el rendimiento de la batería. Evite una exposición excesiva a fuentes de calor o al sol (riesgo de sobrecalentamiento).

Los puntos de contacto de los cargadores y las baterías se deben mantener limpios.

Para un tiempo óptimo de vida, deberán cargarse las baterías completamente después de su uso. Las baterías no utilizadas durante cierto tiempo deben ser recargadas antes de usar.

Para garantizar la máxima capacidad y vida útil, las baterías recargables se deberían retirar del cargador una vez finalizada la carga.

En caso de almacenar la batería recargable más de 30 días, Almacenar la batería recargable en un lugar seco a una temperatura de aproximadamente 27°C., Almacenar la batería recargable con un estado de carga del 30% y 50% aproximadamente., Recargar la batería cada 6 meses.

No tire las baterías usadas a la basura ni al fuego. Los Distribuidores Milwaukee ofrecen un servicio de recogida de baterías antiguas para proteger el medio ambiente.

No almacene la batería con objetos metálicos (riesgo de cortocircuito).

Recargar solamente los acumuladores del Sistema M18 en cargador M18. No intentar recargar acumuladores de otros sistemas.

## TRANSPORTE DE BATERÍAS DE IONES DE LITIO

Las baterías de iones de litio caen bajo las disposiciones legales relativas al transporte de mercancías peligrosas.

El transporte de estas baterías recargables debe llevarse a cabo, observando las normas y disposiciones locales, nacionales e internacionales.

Los consumidores pueden transportar estas baterías recargables sin el menor reparo en la calle.

El transporte comercial de baterías recargables de iones de litio por empresas de transportes está sometido a las disposiciones del transporte de mercancías peligrosas. Las preparaciones para el envío y el transporte deben ser llevados a cabo exclusivamente por personas instruidas adecuadamente. El proceso completo debe ser supervisado por personal competente.

Los siguientes puntos se deben observar para el transporte de las baterías recargables:

Se debe asegurar que los contactos estén protegidos y aislados para evitar que se produzcan cortocircuitos. Preste atención a que el conjunto de baterías recargables no se pueda desplazar dentro del envase. Las baterías recargables deterioradas o derramadas no se deben transportar. Rogamos que para cualquier información adicional se dirija a su empresa de transportes.

## DECLARACIÓN DE CONFORMIDAD CE

Declaramos bajo nuestra única responsabilidad que el producto descrito bajo „Datos técnicos“ cumple todas las disposiciones pertinentes de las directivas 2011/65/UE RoHS, 2006/42/CE, 2014/30/UE, 2014/53/EU y que se han implementado y estándares

EN 62841-1:2015

EN 62479:2010

EN 60950-1:2006+A11:2009+A1:2010+A12:2011+AC:2011+A2:2013

EN 55014-1:2006+A1:2009+A2:2011

EN 55014-2:2015

EN 50581:2012

EN 301 489-1 V1.9.2 (2011-09)

EN 301 489-17 V2.2.1 (2012-09)

EN 300 328 V1.9.1 (2015-02)



Winnenden, 2017-05-03

Alexander Krug / Managing Director

Autorizado para la redacción de los documentos técnicos.

Techtronic Industries GmbH

Max-Eyth-Straße 10, 71364 Winnenden, Germany

## SÍMBOLOS



Lea las instrucciones detenidamente antes de conectar la herramienta



ADVERTENCIA!

Peligro de lesiones por esquirlas que pudieran salir despedidas.



Para trabajar con la máquina, utilizar siempre gafas de protección.



Peligro de descarga eléctrica



¡ATENCIÓN! ¡ADVERTENCIA! ¡PELIGRO!



Retire la batería antes de comenzar cualquier trabajo el aparato.



Mantenga alejadas las manos de la herramienta de corte y de otras piezas móviles. Los dedos pueden entrar en contacto con el mecanismo de corte y quedar amputados o lesionados.



Accesorio - No incluido en el equipo estándar, disponible en la gama de accesorios.



Los aparatos eléctricos no se deben eliminar junto con la basura doméstica. Los aparatos eléctricos y electrónicos se deben recoger por separado y se deben entregar a una empresa de reciclaje para una eliminación respetuosa con el medio ambiente. Infórmese en las autoridades locales o en su tienda especializada sobre los centros de reciclaje y puntos de recogida.



Marca CE



Certificado UkrSEPRO de conformidad



Certificado EAC de conformidad



CARACTERÍSTICAS TÉCNICAS	M18 HCC45
<b>Corta-cabos</b>	
Número de produção	4587 00 01... ... 000001-999999
Tensão do acumulador	18 V
Força nominal	77,8 kN
Área de corte Depende do tipo de cabo	no máx. Ø 44 mm
ACSR: alumínio-/Cabos de aço cobre / alumínio	
Peso nos termos do procedimento-EPTA 01/2003 (Li-Ion 2,0 Ah)	6,0 kg
<b>Informações sobre ruído</b>	
Valores de medida de acordo com EN 62841. O nível de ruído avaliado A do aparelho é tipicamente:	
Nível da pressão de ruído (Incertez K=3dB(A))	76,9 dB(A)
Nível da potência de ruído (Incertez K=3dB(A))	87,9 dB(A)
<b>Use protectores auriculares!</b>	
<b>Informações sobre vibração</b>	
Valores totais de vibração (soma dos vectores das três direcções) determinadas conforme EN 62841.	
Valor de emissão de vibração <sub>h</sub>	1,2 m/s <sup>2</sup>
Incerteza K=	1,5 m/s <sup>2</sup>



Por

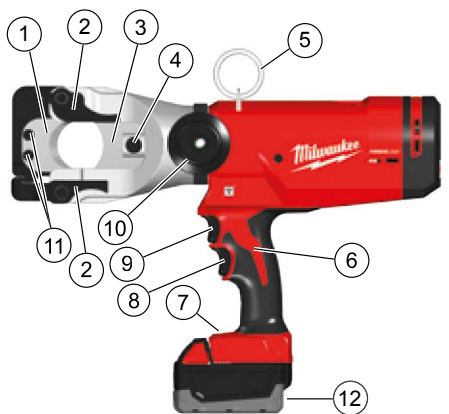
### ATENÇÃO!

O nível vibratório indicado nestas instruções foi medido em conformidade com um procedimento de medição normalizado na EN 62841 e pode ser utilizado para comparar entre si ferramentas eléctricas. O mesmo é também adequado para avaliar provisoriamente o esforço vibratório.

O nível vibratório indicado representa as principais aplicações da ferramenta eléctrica. Se, no entanto, a ferramenta eléctrica for utilizada para outras aplicações, com outras ferramentas adaptadas ou uma manutenção insuficiente, o nível vibratório poderá divergir. Isto pode aumentar consideravelmente o esforço vibratório ao longo de todo o período do trabalho.

Para uma avaliação exacta do esforço vibratório devem também ser considerados os tempos durante os quais o aparelho está desligado ou está a funcionar, mas não está efectivamente a ser utilizado. Isto pode reduzir consideravelmente o esforço vibratório ao longo de todo o período do trabalho.

Defina medidas de segurança suplementares para proteger o operador do efeito das vibrações, como por exemplo: manutenção da ferramenta eléctrica e das ferramentas adaptadas, manter as mãos quentes, organização das sequências de trabalho.



### Descrição do dispositivo

- |                                    |                                      |
|------------------------------------|--------------------------------------|
| ① Lâmina frontal                   | ⑦ LED                                |
| ② Alavancas de libertação da garra | ⑧ Gatilho de libertação              |
| ③ Lâmina traseira                  | ⑨ Gatilho                            |
| ④ Pino de retenção da lâmina       | ⑩ Manípulo suplementar               |
| ⑤ Gancho de suspensão              | ⑪ 5 mm parafusos de cabeça sextavada |
| ⑥ Pega                             | ⑫ Bateria                            |

**⚠ ATENÇÃO Ler todas as indicações de segurança, instruções, representações e dados fornecidos juntamente com o aparelho.** O desrespeito das advertências e instruções apresentadas abaixo pode causar choque eléctrico, incêndio e/ou graves lesões.  
**Guarde bem todas as advertências e instruções para futura referência.**

### ⚠ INDICAÇÕES DE SEGURANÇA PARA CORTA-CABOS

Para reduzir o risco de explosões, choque eléctrico e danos materiais e no equipamento, nunca corte cabos eléctricos energizados. A ferramenta NÃO é isolada.

Manter as mãos e vestuário solto afastados de ferramentas de corte e de outras peças móveis. Há um risco de lesões graves, incluindo corte dos membros.

Vestuário de protecção, bem como máscara de pó, sapatos fechados e antiderrapante, capacete e protecção auditiva são recomendados. Utilizar equipamento de protecção. Use sempre óculos de segurança ao trabalhar com o cortador de cabos.

Previna o arranque acidental do cortador de cabos. Antes de ligar a uma bateria amovível, certifique-se de que o gatilho está fixado com o bloqueio do interruptor.

Nunca segure o cortador de cabos pelas mandíbulas de corte.

Antes de utilizar, verifique sempre se as mandíbulas de corte apresentam fendas e outros sinais de desgaste.

Utilize o cortador de cabos, a bateria amovível e o carregador apenas se estiverem em perfeita condição técnica.

Deixe uma oficina especializada reparar os danos imediatamente.

Antes de efectuar qualquer intervenção o aparelho retirar o bloco acumulador.

O cortador de cabos apenas pode ser utilizado com uma ferramenta de corte inserida.

Remova quaisquer ferramentas de ajuste e chaves antes de efetuar o corte.

Para evitar lesões e danos, nunca mergulhe a ferramenta, a bateria amovível ou o carregador em líquidos nem permita que entrem líquidos no seu interior.

Segure o cortador de cabos pelas duas pegas.

Caso ocorram falhas durante o processo de corte, solte o gatilho imediatamente e pressione o botão de reposição hidráulica.

A válvula abre e o êmbolo volta à posição inicial.

## RISCOS RESIDUAIS

Antes de iniciar o processo de corte, o acesso deve ser vedado de acordo com os regulamentos locais.

Corte apenas cabos que tenham sido desligados da alimentação elétrica.

Os cabos e os fios não podem estar sujeitos a forças mecânicas.

O incumprimento desta instrução pode causar lesões graves, morte, incêndio e outros danos materiais, como resultado de choque elétrico, explosões e/ou arcos elétricos.

Use óculos de proteção.

## UTILIZAÇÃO AUTORIZADA

O corta-cabos é adequado para cortar cabos livres de tensão, feitos de cobre ou alumínio isolado, cabos ACSR (cabos de aço/alumínio), cabos de aço, respetivamente em função do tipo de cabo.

O corte e a separação de cabos e fios com a ajuda deste corta-cabos apenas podem ser realizados por pessoas devidamente instruídas.

O operador deste cortador de cabos deve ser instruído quanto aos perigos específicos associados à sua utilização e às medidas essenciais de segurança, antes de trabalhar com o cortador de cabos pela primeira vez e, pelo menos, uma vez por ano.

A empresa operadora deve:

- disponibilizar o manual de utilização ao operador e
- assegurar que o operador leu e compreendeu o manual.

**⚠ ATENÇÃO** Ler todas as indicações de segurança, instruções, representações e dados fornecidos juntamente com o aparelho. O desrespeito das advertências e instruções apresentadas abaixo pode causar choque eléctrico, incêndio e/ou graves lesões.

**Guarde bem todas as advertências e instruções para futura referência.**

## UTILIZAÇÃO

### Configuração da área de trabalho

Antes de iniciar o trabalho, é necessário assegurar que as linhas e os cabos se encontram livres de tensão e que continuarão pelo tempo de duração do trabalho.

Se não for possível assegurar sem qualquer dúvida que se desligou o cabo ou linha isolada, não se pode realizar nenhum trabalho.

Dever-se-ão respeitar obrigatoriamente as disposições de segurança e regulamentos locais.

Os cabos e os fios não podem estar sujeitos a forças mecânicas e devem estar protegidos contra eventuais movimentos incontrolados após o corte.

Não exponha as ferramentas à chuva. Não utilize as ferramentas em locais húmidos ou molhados.

### Preparação do cortador de cabos e da bateria

Antes de cada utilização:

- Inspeccione o cortador de cabos quanto a defeitos externos
- Verifique se a ferramenta de corte apresenta fendas e outros sinais de desgaste

Utilize apenas se estiver em perfeitas condições!

Antes de começar o processo de corte, deve ser verificada a capacidade da bateria: no mínimo 33% (veja a descrição ilustrada).

Poderá ser necessário carregar a bateria antes de começar o trabalho.

### Preparação para o processo de corte

Apoie e fixe o cabo ou fio a ser cortado, a fim de se minimizar o risco de um movimento descontrolado.

Em particular, os cabos e linhas ao ar livre poderão ter um movimento incontrolável e causar ferimentos e/ou danos.

A cabeça de corte deve estar posicionada num ângulo de 90° em relação ao cabo ou fio, de modo que este se encontre livre de tensões nos mordentes de corte, a fim de se evitar forças de corte desfavoráveis.

**⚠ ATENÇÃO:** Para reduzir o risco de explosões, choque eléctrico e danos materiais e no equipamento, nunca corte cabos eléctricos energizados.

**A ferramenta NÃO é isolada. O contacto com um circuito energizado poderia resultar em lesões graves ou morte. Desligue a energia eléctrica antes de efetuar um corte. Nunca corte linhas de gás ou de água. Mantenha as mãos afastadas de todas as arestas de corte e peças em movimento. Pode ocorrer laceração e amputação.**

**Remova sempre o bloco da bateria, antes de mudar ou remover os acessórios. Utilize apenas acessórios especificamente recomendados para esta ferramenta. Outros podem ser perigosos.**

**Para reduzir o risco de lesões, use óculos de segurança ou óculos com proteção lateral.**

**⚠ ATENÇÃO:** Para reduzir o risco de lesões, corte apenas os materiais recomendados para as lâminas. (Consulte as «Especificações») Não tente cortar outros materiais.

### Corte

• Antes de cortar, certifique-se de que as lâminas estão devidamente instaladas.

1. Coloque o cabo em ângulo reto nas lâminas do corta-cabos. Não tente fazer cortes em ângulo, pois danificam a peça de trabalho e as lâminas.

2. Agarre a(s) pega(s) com firmeza.

Puxe e segure o gatilho durante toda a operação.

Quando o gatilho é puxado, acende-se um LED.

Assim que tiver efetuado o corte ou desativado a ferramenta, solte novamente o acionador e prima mecanismo de reinicialização, para que se abram os mordentes de corte.

*Nota: A peça de trabalho pode mover-se ligeiramente durante o corte.*

### O que fazer em caso de falhas

- o cabo pode estar cortado e encontrar-se sob tensão; informar sempre o responsável pela segurança, interromper o processo de corte, iniciar as medidas de segurança adequadas



Por



- Certifique-se sempre de que o dispositivo está e permanecerá desligado da alimentação elétrica, antes de se aproximar e de tocar no dispositivo
- Pressione e mantenha pressionado o botão de reposição até que o cortador se abra completamente
- Verifique a capacidade da bateria
- Verifique o material e a respetiva espessura em comparação com os dados técnicos
- Caso se suspeite de que foi cortado um cabo energizado, o cortador de cabos deve ser inspecionado numa oficina especializada autorizada

### Lâminas encravadas

A sujidade e os detritos podem fazer com que as lâminas fiquem encravadas após um corte

- Pressione e mantenha pressionado o gatilho de libertação para garantir que a ferramenta foi reposta.
- Remova o bloco da bateria.
- Siga a descrição das imagens para abrir os mordentes de corte
- Limpe toda a sujidade e detritos das lâminas antes de iniciar outro corte.

### Dicas de corte

- Não tente fazer cortes em ângulo, pois danificam a peça de trabalho e as lâminas.
- Corte material limpo para prolongar a vida útil da lâmina. Limpe a sujidade e os detritos do material e das lâminas antes de começar o corte.

### MANUTENÇÃO

Antes de efectuar qualquer intervenção o aparelho retirar o bloco acumulador.

Nunca abra o cortador de cabos, a bateria amovível ou o carregador.

Verifique o cortador de cabos quanto a eventuais problemas, tais como ruído ou bloqueio de peças móveis que poderiam estar a afetar a ferramenta.

Verifique se as ferramentas de corte apresentam fendas e outros sinais de desgaste.

Após a conclusão do trabalho, limpe e lubrifique as ferramentas de corte.

Verifique se as arestas de corte estão afiadas e substitua as mandíbulas de corte gastas.

Substitua as lâminas quando ficarem lascadas ou danificadas. Substitua sempre as lâminas como um conjunto. Utilize apenas lâminas MILWAUKEE.

Verifique se as ferramentas de corte podem mover-se livremente.

Para evitar lesões e danos, nunca mergulhe a ferramenta, a bateria amovível ou o carregador em líquidos nem permita que entrem líquidos no seu interior.

Manter desobstruídos os rasgos de ventilação na carcaça da máquina.

O aparelho contém óleo hidráulico que representa um perigo para o lençol freático. Uma evacuação descontrolada ou eliminação incorrecta é punível.

O dispositivo deve ser sujeito a assistência técnica a cada seis a doze meses, dependendo da utilização.

Encontra mais informações sobre os intervalos de assistência técnica na aplicação ONE-KEY.

Trabalhos de manutenção e reparação só devem ser executados por oficinas autorizadas.

Utilizar apenas acessórios Milwaukee e peças sobresselentes Milwaukee. Os componentes cuja substituição não esteja descrita devem ser substituídos num serviço de assistência técnica Milwaukee (consultar a brochura relativa à garantia/moradas dos serviços de assistência técnica).

A pedido e mediante indicação da referência que consta da chapa de características da máquina, pode requerer-se um desenho explosivo da ferramenta eléctrica a: Techtronic Industries GmbH, Max-Eyth-Straße 10, 71364 Winnenden, Germany.

### ONE-KEY™

Para saber mais sobre a funcionalidade ONE-KEY desta ferramenta, ler o manual de arranque rápido em anexo ou visitar o nosso site na Internet em <http://www.milwaukeetool.com/one-key>

Pode-se descarregar a app ONE-KEY para o smartphone através da App Store ou do Google Play.

Quando ocorrem descargas eletrostáticas, a comunicação Bluetooth é desligada e a interface da aplicação é encerrada. Não se poderá utilizar a aplicação durante 45 segundos. Após 45 segundos, é necessária a reposição da aplicação para recuperar. Consideramos que o resultado está dentro do nosso nível mínimo de desempenho aceitável, em conformidade com a norma EN 301489-1/ EN 301489-17. Forneceremos ao cliente a orientação de operação contida no manual do utilizador.

### ACUMULADOR

Temperaturas acima de 50°C reduzem a capacidade do bloco acumulador. Evitar exposição prolongada ao sol ou a caloríferos.

Manter limpos os contactos eléctricos no carregador e no bloco acumulador.

Para uma vida útil óptima das baterias, terá que carregá-las plenamente após a sua utilização. Acumuladores não utilizados durante algum tempo devem ser recarregados antes da sua utilização.

Para assegurar uma vida útil longa, o pacote de bateria deve ser removido da carregadora depois do carregamento.

Se o pacote de bateria for armazenado por mais de 30 dias: Armazene o pacote de bateria com aprox. 27°C em um lugar seco., Armazene o pacote de bateria com aprox. 30%-50% da carga completa., Carregue o pacote de bateria novamente de 6 em 6 meses.

Não queimar acumuladores gastos nem deitá-los no lixo doméstico. A Milwaukee possui uma eliminação de acumuladores gastos que respeita o meio ambiente.

Não guardar acumuladores junto com objectos metálicos (perigo de curto-circuito).

Use apenas carregadores do Sistema M18 para recarregar os acumuladores do Sistema M18. Não utilize acumuladores de outros sistemas.

### TRANSPORTE DE BATERIAS DE IÃO-LÍTRIO

Baterias de ião-lítio estão sujeitas às disposições da legislação relativa às substâncias perigosas.

O transporte destas baterias deve ser efetuado de acordo com as disposições e os regulamentos locais, nacionais e internacionais.

O utilizador pode efetuar o transporte rodoviário destas baterias sem restrições.

O transporte comercial de baterias de ião-lítio por terceiros está sujeito aos regulamentos relativos às substâncias perigosas. A preparação do transporte e o transporte devem ser executados exclusivamente por pessoas instruídas e o processo deve ser acompanhado pelos especialistas correspondentes.

Observe o seguinte no transporte de baterias:

Assegure-se de que os contatos terminais estejam protegidos e isolados para evitar um curto-circuito. Assegure-se de que o bloco da bateria esteja protegido contra movimentos na embalagem. Não transporte baterias danificadas ou que tenham fuga. Para instruções mais detalhadas consulte a companhia de transportes

#### DECLARAÇÃO DE CONFORMIDADE CE

Declaramos, sob a nossa inteira responsabilidade, que o produto descrito em «Dados Técnicos» cumpre todas as disposições relevantes das diretivas

2011/65/UE RoHS, 2006/42/CE, 2014/30/UE, 2014/53/EU tendo sido seguidas as seguintes normas harmonizadas

EN 62841-1:2015

EN 62479:2010

EN 60950-1:2006+A11:2009+A1:2010+A12:2011+AC:2011+A2:2013

EN 55014-1:2006+A1:2009+A2:2011

EN 55014-2:2015

EN 50581:2012

EN 301 489-1 V1.9.2 (2011-09)

EN 301 489-17 V2.2.1 (2012-09)

EN 300 328 V1.9.1 (2015-02)



Winnenden, 2017-05-03

Alexander Krug / Managing Director

Autorizado a reunir a documentação técnica.

Techtronic Industries GmbH

Max-Eyth-Straße 10, 71364 Winnenden, Germany

#### SYMBÓLE



Leia atentamente o manual de instruções antes de colocar a máquina em funcionamento.



**ATENÇÃO!**  
Existe perigo de ferimentos devido a estilhaços de corte



Usar sempre óculos de protecção ao trabalhar com a máquina.



Perigo de choque eléctrico



**ATENÇÃO! PERIGO!**



Antes de efectuar qualquer intervenção o aparelho retirar o bloco acumulador.



Manter as mãos afastadas da ferramenta de corte e de outras peças móveis. Os dedos podem ser esfolados, cortados ou feridos no mecanismo de corte.



Acessório - Não incluído no equipamento normal, disponível como acessório.



Aparelhos eléctricos não devem ser jogados no lixo doméstico. Aparelhos eléctricos e electrónicos devem ser colectados separadamente e entregues a uma empresa de reciclagem para a eliminação correcta. Solicite informações sobre empresas de reciclagem e postos de colecta de lixo das autoridades locais ou do seu vendedor autorizado.



Marca CE



Marca de conformidade UkrSEPRO .



Marca de conformidade EurAsian.



TECHNISCHE GEGEVENS	M18 HCC45
<b>Draadsnijders</b>	
Productienummer	4587 00 01... ... 000001-999999
Spanning wisselakku	18 V
Nominale kracht	77,8 kN
Snijbereik Afhankelijk van type kabel ACSR: Aluminium-/Staalkabels Koper / Aluminium	max. Ø 44 mm
Gewicht volgens de EPTA-procedure 01/2003 (Li-Ion 2,0 Ah)	6,0 kg
<b>Geluidsinformatie</b>	
Meetwaarden vastgesteld volgens EN 62841. Het kenmerkende A-gewogen geluidsniveau van de machine bedraagt:	
Geluidsdruk niveau (Onzekerheid K=3dB(A))	76,9 dB(A)
Geluidsvermogen niveau (Onzekerheid K=3dB(A))	87,9 dB(A)
<b>Draag oorbeschermers!</b>	
<b>Trillingsinformatie</b>	
Totale trillingswaarden (vectorsom van drie richtingebepaald volgens EN 62841.	
Trillingsemisiewaarde <sub>h</sub>	1,2 m/s <sup>2</sup>
Onzekerheid K=	1,5 m/s <sup>2</sup>



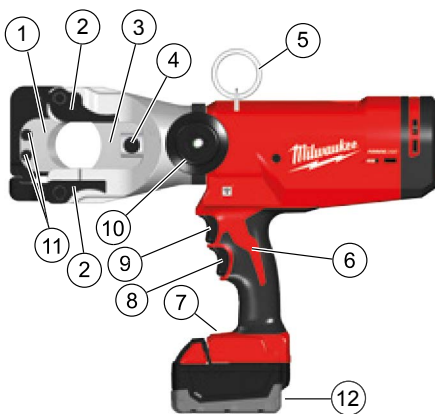
### WAARSCHUWING!

De in deze aanwijzingen vermelde trillingsdruk is gemeten volgens een in EN 62841 genormeerde meetmethode en kan worden gebruikt voor de onderlinge vergelijking van apparaten. Hij is ook geschikt voor een voorlopige inschatting van de trillingsbelasting.

De aangegeven trillingsdruk geldt voor de meest gebruikelijke toepassingen van het elektrische apparaat. Wanneer het elektrische gereedschap echter voor andere doeleinden, met andere dan de voorgeschreven hulpstukken gebruikt of niet naar behoren onderhouden wordt, kan de trillingsdruk afwijken. Dit kan de waarde van de trillingsdruk over de hele werkperiode aanzienlijk verhogen.

Voor een nauwkeurige inschatting van de trillingsdruk moeten ook de tijden in aanmerking worden genomen dat het apparaat uitgeschakeld is of weliswaar loopt, maar niet werkelijk in gebruik is. Dit kan de waarde van de trillingsdruk over de hele werkperiode aanzienlijk verminderen.

Bepaal extra veiligheidsmaatregelen ter bescherming van de bediener tegen de inwerking van trillingen, bijvoorbeeld: onderhoud van elektrische gereedschappen en apparaten, warmhouden van de handen, organisatie van de werkprocessen.



### Beschrijving van het apparaat

- |                                   |                      |
|-----------------------------------|----------------------|
| ① Voorste blad                    | ⑦ Led                |
| ② Ontgrendelingshendel<br>klauwen | ⑧ Loskoppelhendel    |
| ③ Achterste blad                  | ⑨ Hendel             |
| ④ Bevestigingsbout blad           | ⑩ Extra handgreep    |
| ⑤ Hanger                          | ⑪ 5 mm zeskantbouten |
| ⑥ Handgreep                       | ⑫ Accu               |

**⚠ WAARSCHUWING** Lees en bekijk alle veiligheidsaanwijzingen, aanwijzingen, afbeeldingen en gegevens die u bij het apparaat ontvangt. Als de waarschuwingen en voorschriften niet worden opgevolgd, kan dit een elektrische schok, brand of ernstig letsel tot gevolg hebben. **Bewaar alle waarschuwingen en voorschriften voor toekomstig gebruik.**

### ⚠ VEILIGHEIDSAANWIJZINGEN VOOR KABELSNIJ- DERS

Om het risico op explosies, elektrische schokken en schade aan eigendommen en apparatuur te beperken, is het raadzaam om nooit onder spanning staande elektrische kabels door te knippen. Het gereedschap is NIET geïsoleerd.

Houd handen en losse kleding uit de buurt van snijwerktuigen en andere bewegende delen. Er bestaat een kans op ernstig letsel, waaronder het afsnijden van ledematen.

Veiligheidskleding zoals stofmasker, veiligheidshandschoenen, stevig en slipvast schoeisel, helm en gehoorbescherming worden aanbevolen.

Draag veiligheidsuitrusting. Draag altijd een veiligheidsbril wanneer u met de kabelknipper werkt.

Voorkom dat de kabelknipper onbedoeld in werking treedt. Voordat u het apparaat aansluit op een verwijderbare accu, moet u er voor zorgen dat de hendel is beveiligd met een inschakelvergrendeling.

Houd de kabelknipper nooit vast aan de snijklauwen.

Controleer voor gebruik altijd of de snijklauwen scheuren vertonen of andere tekenen van slijtage.

Gebruik de kabelknipper, verwijderbare accu en oplader alleen als ze in technische perfecte staat zijn.

Laat beschadigingen onmiddellijk verhelpen in een geautoriseerde werkplaats.

Voor alle werkzaamheden aan de apparat de accu verwijderen.

De kabelknipper mag uitsluitend worden gebruikt als het knipgereedschap er is ingestoken.

Verwijder alle afstelgereedschappen en sleutels voordat u begint met knippen.

Om verwondingen te voorkomen mag u het gereedschap, de verwijderbare accu of de lader nooit in een vloeistof dopen of vloeistof in deze apparaten laten doordringen.

Houd de kabelknipper vast aan beide handgrepen.

Bij storingen tijdens het knipproces laat u de hendel direct los en drukt u op de resetknop voor de hydraulica.

De klep opent en de zuiger stuurt terug naar zijn uitgangspositie.

## RESTERENDE GEVAREN

Voordat het knipproces begint, moet de locatie zijn afgezet in overeenstemming met de lokale regelgeving.

Knip alleen kabels door die zijn losgekoppeld van de stroomtoevoer.

Kabels mogen niet aan mechanische krachten worden blootgesteld.

Wanneer u niet handelt in overeenstemming met deze instructies, kan dit leiden tot zwaar letsel, dood, brand of andere schade aan eigendommen en resulteren in elektrische schokken, explosies en/of vlambogen.

Draag een veiligheidsbril!

## VOORGESCHREVEN GEBRUIK VAN HET SYSTEEM

De draadsnijder is geschikt om spanningsloze geïsoleerd koperen, aluminium of ACSR-kabels (aluminium/staalkabels), staalkabels door te snijden, afhankelijk van het soort kabel.

Het snijden of scheiden van kabels met behulp van deze draadsnijder mag alleen door een gediplomeerd elektrotechnicus gebeuren.

De operator van deze kabelknipper moet zijn geïnstrueerd over de specifieke gevaren met betrekking tot het gebruik van deze kabelknipper en in de essentiële veiligheidsmaatregelen voordat hij of zij hiermee aan het werk gaat. Vervolgens moet deze training minimaal jaarlijks worden herhaald.

Het bedrijf dat het gebruikt moet:

- zorgen dat de bedieningshandleiding beschikbaar is voor de operator en
- zorgen dat de operator deze heeft gelezen en begrepen.

**⚠ WAARSCHUWING** Lees en bekijk alle veiligheidsaanwijzingen, aanwijzingen, afbeeldingen en gegevens die u bij het apparaat ontvangt. Als de waarschuwingen en voorschriften niet worden opgevolgd, kan dit een elektrische schok, brand of ernstig letsel tot gevolg hebben. **Bewaar alle waarschuwingen en voorschriften voor toekomstig gebruik.**

## GEBRUIK

### Indeling van het werkgebied

Voor begin van de werkzaamheden moeten de leidingen en kabels spanningsloos worden gemaakt en er moet worden gezorgd dat ze

voor de duur van de werkzaamheden spanningsloos blijven.

Als niet absoluut kan worden gegarandeerd dat de kabel of geïsoleerde leiding is losgekoppeld, mogen er geen werkzaamheden worden uitgevoerd.

Lokale veiligheidsvoorschriften en -regels moeten altijd worden nageleefd.

Kabels mogen niet aan mechanische krachten worden blootgesteld en moeten eventueel worden beveiligd tegen ongecontroleerde bewegingen na het snijden.

Stel het apparaat niet aan regen bloot en gebruik dit niet in een vochtige of natte omgeving.

### Voorbereidingen voor de kabelknipper en accu

Voorafgaand aan ieder gebruik:

- Inspecteer de kabelknipper op externe defecten
- Controleer het knipgereedschap op scheuren en andere tekenen van slijtage

Alleen gebruiken in perfecte conditie!

Voordat het knipproces begint, moet de accucapaciteit worden gecontroleerd: minimaal 33% (zie geïllustreerde beschrijving).

Mogelijk moet deze worden opgeladen voordat de werkzaamheden beginnen.

### Voorbereidingen voor het knipproces

Maak de te snijden kabel vast en ondersteun deze om zo het risico op ongecontroleerde bewegingen te minimaliseren.

Met name bovengrondse leidingen en kabels kunnen ongecontroleerde bewegingen maken en daardoor letsel en/of schade toebrengen.

De snijkop moet in een hoek van 90° op de kabel staan, zodat deze zonder spanning in de geopende slijbek ligt en ongunstige afschuifkrachten worden vermeden.

**⚠ WAARSCHUWING:** Om het risico op explosies, elektrische schokken en schade aan eigendommen en apparatuur te beperken, is het raadzaam om nooit onder spanning staande elektrische kabels door te knippen.

**Het gereedschap is NIET geïsoleerd. Contact met een stroomcircuit onder spanning kan resulteren in zwaar letsel of de dood. Schakel de stroom uit voordat u begint met knippen. Knip nooit gas- of waterleidingen door. Houd de handen uit de buurt van alle snijdende oppervlakken en bewegende delen. Anders is er kans op ernstig letsel en zelfs verlies van ledematen.**

**Verwijder altijd de accu voordat u accessoires vervangt of verwijderd. Gebruik alleen accessoires die specifiek worden aanbevolen voor dit gereedschap. Andere accessoires kunnen een gevaar opleveren.**

**Om het risico op verwondingen te beperken is het raadzaam om een veiligheidsbril te dragen met zijschermen.**

**⚠ WAARSCHUWING:** Om het risico op verwondingen te beperken, mag u alleen materialen knippen die geschikt zijn voor de bladen. (zie "Specificaties") Probeer geen andere materialen te knippen.



## Knippen

• Controleer voor het knippen of de bladen correct geïnstalleerd zijn.

1. Voer de kabel loodrecht in de snijder van de draadsnijder. Probeer geen diagonale knip uit te voeren. Dit beschadigt het werkstuk en de bladen.

2. Grijp de handgreep of handgrepen stevig vast.

Duw de hendel in en houd deze vast gedurende de gehele operatie. Er licht een ledlampje op wanneer de hendel wordt ingedrukt.

Na het snijden of als het gereedschap uitschakelt, de ontgrendeling weer loslaten en de resetknop indrukken zodat de snijbek opent.

*Opmerking: Het werkstuk kan enigszins bewegen tijdens het knippen.*

## Handelingen bij storingen

- de kabel kan aangesneden zijn en onder spanning staan, altijd de veiligheidsfunctionaris informeren, het snijproces afbreken, passende veiligheidsmaatregelen inzetten
- Zorg er altijd voor dat het apparaat losgekoppeld is en blijft van de stroomtoevoer voordat u in de buurt komt en het apparaat aanraakt
- druk de resetknop in en houd deze ingedrukt tot de snijklaauwen volledig openen
- controleer de accucapaciteit
- controleer het materiaal en de dikte van het materiaal en vergelijk het met de gegevens op het technische gegevensblad
- Indien u mogelijk een onder spanning staande kabel hebt doorgeknipt, moet de kabelknipper worden gecontroleerd in een goedgekeurde specialistische werkplaats

## Geblokkeerde bladen

Vuil en rommel kunnen er voor zorgen dat de bladen geblokkeerd raken na het knippen

- Druk de loskoppelhendel in en houd deze ingedrukt om te zorgen dat het gereedschap gereset is.
- Verwijder de accu.
- Volg de beeldbeschrijving voor het openen van de snijbek
- Verwijder alle vuil en rommel van de bladen voordat u aan een nieuwe knip begint.

## Tips voor het knippen

- Probeer geen diagonale knip uit te voeren. Dit beschadigt het werkstuk en de bladen.
- Zorg dat de te knippen materialen schoon zijn voor een langere levensduur van de bladen. Veeg vuil en rommel van het materiaal en de bladen voordat u begint met knippen.

## ONDERHOUD

Voor alle werkzaamheden aan de apparat de accu verwijderen.

Open de kabelknipper, verwijderbare accu of lader nooit.

Controleer de kabelknipper op eventuele problemen zoals geluid of vastlopen van bewegende delen die een negatieve uitwerking kunnen hebben op het gereedschap.

Controleer het knipgereedschap op scheuren en andere tekenen van slijtage.

Reinig en smeer het knipgereedschap nadat de werkzaamheden voltooid zijn.

Controleer of de snijdende oppervlakken scherp zijn en vervang afgesleten snijklaauwen.

Verwijder de bladen wanneer ze of gesplinterd zijn of beschadigd vertonen. Vervang de bladen altijd per set. Gebruik uitsluitend

bladen van MILWAUKEE.

Controleer of het knipgereedschap vrij kan bewegen.

Om veranderingen te voorkomen mag u het gereedschap, de verwijderbare accu of de lader nooit in een vloeistof dopen of vloeistof in deze apparaten laten doordringen.

Altijd de luchtspleten van de machine schoonhouden.

Het apparaat bevat hydrauliekolie die een bedreiging vormt voor het grondwater. Ongecontroleerd afblazen of incorrecte afvalverwijdering kan worden bestraft.

Het apparaat moet iedere zes tot twaalf maanden een onderhoudsbeurt krijgen, afhankelijk van het gebruik.

U kunt meer informatie krijgen over het onderhoudsinterval via de app ONE-KEY.

Onderhouds- en reparatiewerkzaamheden mogen uitsluitend worden uitgevoerd in een geautoriseerde werkplaats.

Gebruik uitsluitend Milwaukee toebehoren en onderdelen. Indien componenten die moeten worden vervangen niet zijn beschreven, neem dan contact op met een officieel Milwaukee servicecentrum (zie onze lijst met servicecentra).

Onder vermelding van het nummer op het machineplaatje is desgewenst een doorsnedetekening van de machine verkrijgbaar bij: Techtronic Industries GmbH, Max-Eyth-Strasse 10, 71364 Winnenden, Germany.

## ONE-KEY™

Lees de meegeleverde snelstarhandleiding of surf naar <http://www.milwaukeeool.com/one-key> om meer te weten te komen over de ONE-KEY functionaliteit van dit werktuig.

Van de App Store of Google Play kunt u de ONE-KEY app downloaden naar uw smartphone.

Wanneer elektrostatische ontlading ontstaat wordt de Bluetooth-communicatie verbroken en sluit de app-interface. De app kan 45 seconden niet worden gebruikt. Na 45 sec. moet de app worden gereset voor deze weer werkt. Wij hebben vastgesteld dat het resultaat binnen ons minimaal acceptabele prestatieniveau ligt volgens EN 301489-1/ EN 301489-17. Daarnaast geven wij de klanten in deze gebruikshandleiding informatie over het gebruik.

## AKKU

Een temperatuur boven de 50°C vermindert de capaciteit van de accu. Langdurige verwarming door zon of hitte vermijden.

De aansluitcontacten aan het laadapparaat en de accu schoonhouden.

Voor een optimale levensduur moeten de accu's na het gebruik volledig opgeladen worden. Langere tijd niet toegepaste wisselakku's vóór gebruik altijd naladen.

Voor een zo lang mogelijke levensduur van de accu's dienen deze na het opladen uit het laadtoestel te worden verwijderd.

Bij een langere opslag van de accu dan 30 dagen, accu bij ca. 27 °C droog bewaren, accu bij ca. 30% - 50% van de laadtoestand bewaren, accu om de 6 maanden opnieuw opladen.

Verbruikte accu's niet in het vuur of bij het huisvuil werpen. Milwaukee biedt namelijk een milieuvriendelijke recyclingmethode voor uw oude accu's.

Wisselakku's niet bij metalen voorwerpen bewaren (kortsluitingsgevaar!).

Wisselakku's van het Akku-Systeem M18 alléén met laadapparaten van het Akku-Systeem M18 laden. Geen accu's van andere systemen laden.

## TRANSPORT VAN LITHIUM-IONEN-ACCU'S

Lithium-ionen-accu's vallen onder de wettelijke bepalingen inzake het transport van gevaarlijke goederen.

Voor het transport van deze accu's moeten de lokale, nationale en internationale voorschriften en bepalingen in acht worden genomen.

Verbruikers mogen deze accu's zonder meer over de weg transporteren.

Het commerciële transport van lithium-ionen-accu's door expeditiebedrijven is onderhevig aan de bepalingen inzake het transport van gevaarlijke goederen. De verzendingsvoorbereidingen en het transport mogen uitsluitend worden uitgevoerd door dienovereenkomstig opgeleide personen. Het complete proces moet vakkundig worden begeleid.

Onderstaande punten moeten bij het transport van accu's in acht worden genomen:

Waarborg ter vermindering van kortsluitingen dat de contacten beschermd en geïsoleerd zijn. Let op dat het accupack in de verpakking niet kan verschuiven. Beschadigde of lekkende accu's mogen niet worden getransporteerd. Neem voor meer informatie contact op met uw expeditiebedrijf.

## EC - VERKLARING VAN OVEREENSTEMMING

We verklaren geheel onder eigen verantwoordelijkheid dat het product in de "Technische data" voldoet aan alle relevante bepalingen van de richtlijnen

2011/65/EU RoHS, 2006/42/EG, 2014/30/EU, 2014/53/EU en de volgende geharmoniseerde normen zijn gebruikt.

EN 62841-1:2015

EN 62479:2010

EN 60950-1:2006+A11:2009+A1:2010+A12:2011+AC:2011+A2:2013

EN 55014-1:2006+A1:2009+A2:2011

EN 55014-2:2015

EN 50581:2012

EN 301 489-1 V1.9.2 (2011-09)

EN 301 489-17 V2.2.1 (2012-09)

EN 300 328 V1.9.1 (2015-02)



Winnenden, 2017-05-03

Alexander Krug / Managing Director

Gemachtigd voor samenstelling van de technische documenten

Techtronic Industries GmbH

Max-Eyth-Straße 10, 71364 Winnenden, Germany

## SYMBOLLEN



Graag instructies zorgvuldig doorlezen vóórdat u de machine in gebruik neemt.



WAARSCHUWING!

Verwondingsgevaar door wegliggende brokstukken



Bij het werken met de machine altijd een veiligheidsbril dragen.



Risico op een elektrische schok



OPGELET! WAARSCHUWING! GEVAAR!



Voor alle werkzaamheden aan de apparat de accu verwijderen.



Houd handen uit de buurt van snijwerktuigen en andere bewegende delen. Vingers kunnen in het snijmechanisme terechtkomen en worden geamputeerd of u kunt ander letsel aan de vingers oplopen.



Toebehoren - Wordt niet meegeleverd. Is apart leverbaar. Zie hiervoor het toebehorenprogramma.



Elektrische apparaten mogen niet via het huisafval worden afgevoerd. Elektrische en elektronische apparaten moeten gescheiden worden verzameld en voor een milieuvriendelijke afvoer worden afgegeven bij een recyclingbedrijf. Informeer bij uw gemeente of bij uw vakhandelaar naar recyclingbedrijven en inzamelpunten.



CE-keurmerk



UKRSEPRO -symbool van overeenstemming.



EurAsian-symbool van overeenstemming.



TEKNISKE DATA	
Kabelskærer	M18 HCC45
Produktionsnummer	4587 00 01... ... 000001-999999
Udskiftningsbatteriets spænding	18 V
Nominal kraft	77,8 kN
Skæreområde Afhænger af kabeltype ACSR: Aluminium-/Stålwire Kobber / Aluminium	maks. Ø 44 mm
Vægt svarer til EPTA-procedure 01/2003 (Li-Ion 2,0 Ah)	6,0 kg
<b>Støjinformation</b>	
Måleværdier beregnes iht. EN 62841. Værktøjets A-vurderede støjniveau er typisk:	
Lydtrykniveau (Usikkerhed K=3dB(A))	76,9 dB(A)
Lydeffekt niveau (Usikkerhed K=3dB(A))	87,9 dB(A)
<b>Brug høreværn!</b>	
<b>Vibrationsinformation</b>	
Samlede vibrationsværdier (værdisum for tre retninger) beregnet iht. EN 62841.	
Vibrationseksponering <sub>h</sub>	1,2 m/s <sup>2</sup>
Usikkerhed K=	1,5 m/s <sup>2</sup>

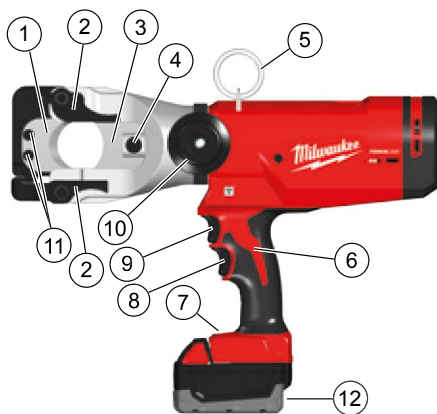


### ADVARSEL!

Svingningsniveauet, som er angivet i disse anvisninger, er målt i henhold til standardiseret måleprocedure ifølge EN 62841 og kan anvendes til indbyrdes sammenligning mellem el-værktøjer. Svingningsniveauet er ligeledes egnet som foreløbigt skøn over svingningsbelastningen.

Det angivne svingningsniveau er baseret på el-værktøjets primære anvendelsesformål. Hvis el-værktøjet benyttes til andre formål, med andet indsatsværktøj eller ikke vedligeholdes tilstrækkeligt, kan svingningsniveauet afvige. Dette kan øge svingningsbelastningen over den samlede arbejdsperiode betydeligt.

For en nøjagtig vurdering af svingningsbelastningen skal der også tages højde for de tidsperioder, hvor apparatet er slukket, eller hvor apparatet kører, men uden at være i anvendelse. Dette kan reducere svingningsbelastningen over den samlede arbejdsperiode betydeligt. Supplerende sikkerhedsforanstaltninger til beskyttelse af brugeren mod påvirkninger fra svingninger skal iværksættes, f.eks.: Vedligeholdelse af el-værktøj og indsatsværktøj, varmeholdelse af hænder, organisering af arbejdsprocesser.



### Apparatbeskrivelse

- |                                 |                      |
|---------------------------------|----------------------|
| ① Klinge foran                  | ⑦ LED                |
| ② Kæbe frigørelses-løftestænger | ⑧ Nulstil udløser    |
| ③ Klinge bagved                 | ⑨ Udløser            |
| ④ Fastholdelsesnål til klingen  | ⑩ Ekstra håndtag     |
| ⑤ Hænger                        | ⑪ 5 mm unbracoskruer |
| ⑥ Håndtag                       | ⑫ Batteri            |

**⚠ ADVARSEL Læs alle sikkerhedsanvisninger, anvisninger, instruktioner og data, der følger med enheden.** I tilfælde af manglende overholdelse af advarselshenvisningerne og instrukserne er der risiko for elektrisk stød, brand og/eller alvorlige kvæstelser.

**Opbevar alle advarselshenvisninger og instrukser til senere brug.**

### ⚠ SIKKERHEDSANVISNINGER FOR KABELSKÆRER

For at minimere risikoen for eksplosioner, elektrisk stød og skade på ejendom og udstyr, må der aldrig skæres i strømførende el-ledninger. Værktøjet er IKKE isoleret.

Hænder og løstsiddende tøj må ikke komme i nærheden af skæreværktøjer og andre bevægelige dele. Der er fare for alvorlig skade, herunder amputationer af lemmelede.

Vi anbefaler desuden brug af personlig beskyttelsesudrustning, såsom støvmaske, sikkerhedshandsker, fast og skridsikkert skotøj, hjelm og høreværn.

Brug beskyttelsesudstyr. Bær altid beskyttelsesbriller under arbejdet med kabelskæreren.

Undgå at kabelskæreren startes ved et tilfælde. Før udløseren tilsluttes til det aftagelige batteri, skal den være sikret vha. kontaktlåsen.

Grib aldrig kabelskæreren ved skærekæben.

Før brug skal skærekæben altid efterses for revner og andre tegn på slitage.

Brug kun kabelskæreren, det aftagelige batteri og opladeren, hvis deres tekniske tilstand er upåklagelig.

Lad straks beskadigelser reparere på et autoriseret værksted.

Ved arbejde inden i maskinen, bør batteriet tages ud.

Kabelskæreren må kun anvendes med et indsat skæreværktøj.

Fjern alle justeringsværktøjer og nøgler før snittet skæres.

For at undgå person- og materialeskade, må værktøjet, det aftagelige batteri eller opladeren aldrig dykkes ned i eller gennemtrænges af væske.

Hold kabelskæreren i begge håndtag.

I tilfælde af driftsforstyrrelse mens der skæres, skal udløseren slippes øjeblikkeligt og hydraulik-nulstillingsknappen trykkes.

Ventilen vil åbne og stemplet vende tilbage i sin udgangsposition.

## RESTRISICI

Før skæreprocessen starter, skal adgangen afspærres i overensstemmelse med de lokale regler.

Skær kun kabler, som ikke er strømførende.

Kabler og wirer må ikke udsættes for nogen form for mekaniske kræfter.

Hvis denne henvisning ikke følges kan det føre til alvorlig personskade, død, brand eller anden skade på ejendom som følge af elektrisk stød, eksplosion og/eller buedannelser.

Brug beskyttelsesbriller.

## TILTÆNKT FORMÅL

Kabelskæreren er velegnet til adskillelse af ikke-strømførte kabler af isoleret kobber eller aluminium, ACSR-wirer (aluminium/stålwirer), stålwirer, afhængigt af kabeltype.

Hhv. skæring og adskillelse af kabler og wirer ved hjælp af denne kabelskærer må kun udføres af en elektroteknisk uddannet person.

Operatøren af kabelskæreren skal være instrueret i de særlige farer, som er forbundet med brugen af kabelskæreren, samt i de grundlæggende sikkerhedsforanstaltninger, forud for arbejdet med den første gang og mindst en gang årligt efterfølgende.

Den driftsansvarlige virksomhed skal:

- sørge for, at operatøren har adgang til en brugermanual og
- sikre, at operatøren har læst og forstået den.

**⚠ ADVARSEL** Læs alle sikkerhedsanvisninger, anvisninger, instruktioner og data, der følger med enheden. I tilfælde af manglende overholdelse af advarselshenvisningerne og instrukserne er der risiko for elektrisk stød, brand og/eller alvorlige kvæstelser.

**Opbevar alle advarselshenvisninger og instrukser til senere brug.**

## ANVENDELSE

### Indretning af arbejdsområdet

Før arbejdets begyndelse skal det sikres, at kablerne eller wirene ikke er tilsluttet til el-nettet, og at strømmen er afbrudt under hele arbejdet.

Hvis der er usikkerhed om, hvorvidt kablet eller den isolerede ledning er strømførende eller ej, må der ikke udføres noget arbejde.

Lokale sikkerhedsforskrifter og regler skal følges under alle omstændigheder.

Kabler og wirer må ikke udsættes for mekaniske kræfter, og skal i givet fald sikres mod ukontrollerede bevægelser efter snittet.

Udsæt ikke værktøjet for regn. Brug ikke værktøjet i fugtige eller våde omgivelser.

### Forberedelse af kabelskærer og batteri

Før hver brug:

- Undersøg kabelskæreren for ydre fejl
  - Eftersøg skæreværktøjet for revner og andre tegn på slitage
- Må kun bruges i upåklagelig tilstand!

Før der skæres, skal batteriets kapacitet kontrolleres: minimum 33% (se illustreret beskrivelse).

Det kan være nødvendigt at oplade før arbejdet begynder.

### Forberedelse af skæreprocessen

Støt og fastgør kablet eller wiren, som skal skæres for at minimere risikoen for en ukontrolleret bevægelse.

Specielt frithængende kabler og wirer kan bevæge sig ukontrolleret og forårsage person- og/eller materialeskade.

Skærehovedet skal placeres i en 90° vinkel til kablet eller wiren, således at kablet eller wiren kan ligge i den åbne skærekæbe uden spænding, så uønskede forskydningskræfter undgås.

**⚠ ADVARSEL:** For at minimere risikoen for eksplosioner, elektrisk stød og skade på ejendom og udstyr, må der aldrig skæres i strømførende el-ledninger.

**Værktøjet er IKKE isoleret. Kontakten til et kredsløb under strøm kan føre til alvorlig personskade eller død. Afbryd strømmen før der foretages et snit. Skær aldrig i gas eller vandledninger. Hold hænderne væk fra alle skæresider og bevægende dele. Fare for alvorlig personskade og amputation.**

Fjern altid batteripakken før tilbehør udskiftes eller fjernes. Anvend kun tilbehør, som er specielt anbefalet til dette værktøj. Andet tilbehør kan være farligt.

**Bær beskyttelsesbriller eller briller med sideafskærmning for at reducere risikoen for personskade.**

**⚠ ADVARSEL:** For at minimere risikoen for personskade, må der kun skæres i materiale, som er anbefalet til klingerne. (se „Specifikationer“) Forsøg ikke at skære i andre materialer.

### Skæring

- Før der skæres, skal det sikres, at klingerne er monteret korrekt.

1. Placér kablet, som skal bearbejdes, vinkelret ved kabelskærerenes skæreenhed. Forsøg aldrig at lave skæve snit, da dette vil skade værktøj og klinger.

2. Hold fast om håndtaget/-ene.

Tryk og hold på udløseren under hele forløbet.

En LED lyser når udløseren trykkes.

Når et snit er gennemført eller værktøjet slukkes, slippes udløseren igen, og nulstillingskontakten trykkes, for at åbne skærekæben.

*Bemærk: Arbejdsobjektet kan evt. bevæge sig lidt under skærearbejdet.*

### Forholdsregler i tilfælde af forstyrrelse

- Kablet kan være blevet snittet og være strømført, informér altid den sikkerhedsansvarlige, afbryd skæreprocessen, og indled de passende beskyttelsestiltag
- Vær altid sikker på, at kabelskæreren er og forbliver afbrudt fra el-nettet før apparatet nærmes og berøres
- Tryk og hold nulstillingsknappen indtil skæreren åbner helt





- kontrollér batterikapaciteten
- Sammenhold materiale og materialetykkelser med de tekniske data
- Hvis der er mistanke om, at en strømført kabel er blevet skåret, skal kabelskæreren efterses på et autoriseret specialværksted

### Fastsiddende klinger

Snavs og rester kan forårsage, at klingerne sætter sig fast efter et snit

- Tryk og hold nulstillings udløseren for at sikre at værktøjet er nulstillet.
- Fjern batteripakken.
- Følg illustrationen for at åbne skærekæben
- Fjern snavs og rester fra klingerne før et nyt snit påbegyndes.

### Skære Tips

- Forsøg aldrig at lave skæve snit, da dette vil skade værktøj og klinger.
- Skær i rent materiale for at forlænge klingernes levetid. Tør snavs og rester af materiale og klinger før der startes med at skære et snit.



### VEDLIGEHOLDELSE

Ved arbejde inden i maskinen, bør batteriet tages ud.

Åben aldrig kabelskæreren, det aftagelige batteri eller oplader.

Eftersé kabelskæreren for problemer, som f.eks. larm eller bevægelige dele, som har sat sig fast, og derved kan påvirke værktøjet.

Eftersé skæreværktøjet for revner og andre tegn på slitage.

For at fuldende arbejdet rengøres og indsmøres skæreværktøjet.

Eftersé om skærekanterne er skarpe og udskift slidte skærekæber.

Udskift klingerne når de får revner eller skader. Udskift altid klingerne som et sæt. Brug kun MILWAUKEE klinger.

Eftersé om skæreværktøjet kan bevæges frit.

For at undgå person- og materialeskade, må værktøjet, det aftagelige batteri eller opladeren aldrig dykkes ned i eller gennemtrænges af væske.

Hold altid maskinens ventilationsåbninger rene.

Maskinen indeholder hydraulikolie, som er til fare for grundvandet. Ukontrolleret udtømning eller ukorrekt bortskaffelse er strafbart ved lov.

Apparatet bør komme til eftersyn hvert halv- eller helår, afhængigt af brugen.

Du kan få mere at vide om eftersynsintervallerne vha. ONE-KEY appen.

Service og reparationer må kun udføres af autoriserede serviceværksteder.

Brug kun Milwaukee-tilbehør og Milwaukee-reservedele. Komponenter, hvor udskiftningsproceduren ikke er beskrevet, skal skiftes ud hos et Milwaukee-servicested (se brochure garanti/kundeserviceadresser).

Ved opgivelse af type nr. der er angivet på maskinens effektskilt, kan de rekvirere en reservedelstegning, ved henvendelse til: Techtronic Industries GmbH, Max-Eyth-Straße 10, 71364 Winnenden, Germany.

### ONE-KEY™

For at læse mere om dette værktøjs ONE-KEY-funktion, læs venligst den medfølgende hurtigangvisning, eller besøg os på <http://www.milwaukee.com/one-key>

Du kan downloade ONE-KEY-app'en til din smartphone fra App Store eller Google Play.

Ved elektrostatiske afladninger, afbrydes Bluetooth kommunikationen og forbindelsen til app interfacen. Og den er en ikke-brugbar app i 45 sekunder. Efter 45 s, er en nulstilling af appen nødvendig for at blive klar igen." Vi anser resultatet for at være inden for rammerne af vores minimale acceptable ydelsesniveau i hht. EN 301489-1/ EN 301489-17. Og vi sørger for, at kunden får driftsvejledningen som del af vores brugervejledning.

### BATTERI

Ved temperaturer over 50°C formindskes batteriets effekt. Undgå direkte sollys og stærk varme.

Tilslutningskontakterne på oplader og udskiftningsbatterier skal holdes rene.

For at opnå en optimal levetid skal de genopladelige batterier oplades fuldt efter brug. Udskiftningsbatterier, der ikke har været brugt i længere tid, efterlades inden brug.

For at sikre en så lang levetid som muligt skal batterierne tages ud af ladeaggregatet efter opladning.

Skal batterierne opbevares længere end 30 dage:, Temperatur ca. 27°C i tørre omgivelser., Opbevares ved ca. 30%-50% af ladetilstanden., Batteri skal genoplades hver 6. måned.

Opbrugte udskiftningsbatterier må ikke brændes eller kasseres sammen med alm. husholdningsaffald. Milwaukee har en miljørigtig bortskaffelse af gamle udskiftningsbatterier, henvend Dem til Deres forhandler.

Opbevar ikke udskiftningsbatterier sammen med metalgenstande af fare for kortslutning.

Brug kun M18 ladeapparater for opladning af System M18 batterier.

### TRANSPORT AF LITHIUM-BATTERIER

Lithium-batterier er omfattet af lovgivningen om transport af farligt gods.

Transporten af disse batterier skal ske under overholdelse af lokale, nationale og internationale regler og bestemmelser.

Forbrugere må transportere disse batterier på veje uden yderligere krav.

Den kommercielle transport af lithium-batterier ved speditjonsfirmaer er omfattet af reglerne for transport af farligt gods. Forberedelsen af forsendelse og transport må kun udføres af tilsvarende trænedte personer. Den samlede proces skal følges af fagfolk.

Følgende punkter skal overholdes ved transport af batterier:

Sørg for at kontakterne er beskyttet og isoleret for at forhindre kortslutning. Sørg for at batteripakken ikke kan bevæge sig inden for emballagen. Beskadigede eller lækkenne batterier må ikke transporteres. Kontakt dit speditjonsfirma for at få yderligere oplysninger.

## CE-KONFORMITETSERKLÆRING

Vi erklærer som eneansvarlige, at produktet, som beskrives under „Tekniske data“, opfylder alle de relevante bestemmelser i direktiverne

2011/65/EU RoHS, 2006/42/EF, 2014/30/EU, 2014/53/EU og følgende harmoniserede standarder er blevet anvendt.

EN 62841-1:2015

EN 62479:2010

EN 60950-1:2006+A11:2009+A1:2010+A12:2011+AC:2011+A2:2013

EN 55014-1:2006+A1:2009+A2:2011

EN 55014-2:2015

EN 50581:2012

EN 301 489-1 V1.9.2 (2011-09)

EN 301 489-17 V2.2.1 (2012-09)

EN 300 328 V1.9.1 (2015-02)



Winnenden, 2017-05-03

Alexander Krug / Managing Director

Autoriseret til at udarbejde de tekniske dokumenter.

Techtronic Industries GmbH

Max-Eyth-Straße 10, 71364 Winnenden, Germany

## SYMBOLER



Læs brugsanvisningen nøje før ibrugtagning.



ADVARSEL!

Fare for kvæstelser på grund af omkringflyvende fragmenter.



Når der arbejdes med maskinen, skal man have beskyttelsesbriller på.



Fare for elektrisk stød



VIGTIGT! ADVARSEL! FARE!



Ved arbejde inden i maskinen, bør batteriet tages ud.



Hænder må ikke komme i nærheden af skæreværktøjet og andre bevægelige dele. Fingrene kan komme ind i skæremekanismen og kan blive skåret af eller beskadiges.



Tilbehør - Ikke inkluderet i leveringsomfanget, køb købes som tilbehør.



Elektrisk udstyr må ikke bortskaffes sammen med det almindelige husholdningsaffald. Elektrisk og elektronisk udstyr skal indsamles særskilt og afleveres hos en genbrugsvirksomhed til en miljømæssig forsvarlig bortskaffelse. Spørg de lokale myndigheder eller din forhandler om genbrugsstationer og indsamlingssteder til sådant affald.



CE-mærke



UkrSEPRO overensstemmelsesmærke.



EurAsian overensstemmelsesmærke.



TEKNISKE DATA	M18 HCC45
Kabelkutter	
Produksjonsnummer	4587 00 01... ... 000001-999999
Spenning vekselbatteri	18 V
Nominell kraft	77,8 kN
Kutteområde Avhengig av type kabel	maks. Ø 44 mm
ACSR: Aluminium-/Ståltau Kobber / Aluminium	
Vekt i henhold til EPTA-Prosedyren 01/2003 (Li-Ion 2,0 Ah)	6,0 kg
<b>Støyinformasjon</b>	
Måleverdier fastslått i samsvar med EN 62841. Det typiske A-bedømte støynivået for maskinen er:	
Lydtrykknivå (Usikkerhet K=3dB(A))	76,9 dB(A)
Lydeffektnivå (Usikkerhet K=3dB(A))	87,9 dB(A)
<b>Bruk hørselsvern!</b>	
<b>Vibrasjonsinformasjoner</b>	
Totale svingningsverdier (vektorsum fra tre retninger) beregnet jf. EN 62841.	
Svingningsemissjonsverdi <sub>h</sub>	1,2 m/s <sup>2</sup>
Usikkerhet K=	1,5 m/s <sup>2</sup>

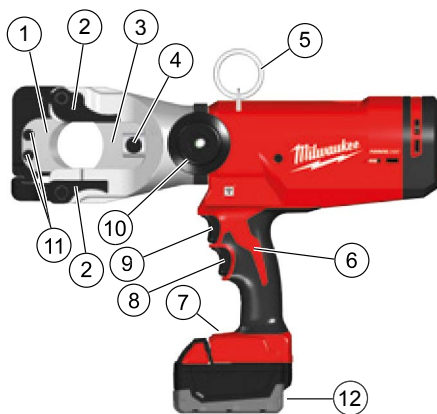


Nor

### ADVARSEL!

Svingningsnivået som er angitt i denne instruksjonen er målt i overensstemmelse med målemetoden normert i direktiv EN 62841 og kan brukes til å sammenligne elektromaskiner med hverandre. Den egner seg også for en foreløbig vurdering av svingningsbelastningen. Det angitte svingningsnivået representerer de hovedsaklige bruk av elektroverktøyet. Men anvendes elektroverktøyet for andre bruk med avvikende utskiftbare verktøy eller vedlikeholdet er utilstrekkelig, kan svingningsnivået være avvikende.

Dette kan forhøye svingningsbelastning betydelig over hele arbeidsperioden. For en nøyaktig vurdering av svingningsbelastningen må også det tas hensyn til tiden apparatet er avslått eller står på, men ikke er i bruk. Dette kan redusere svingningsbelastningen betydelig over hele arbeidsperioden. Innfør også ekstra sikkerhetstiltak for å beskytte bruker mot utvirkningen av svingningene. Disse kan f.eks. være: vedlikehold av elektroverktøyet og det utskiftbare verktøyet, holde hendene varme, organisasjon av arbeidsforløpet.



### Beskrivelse av verktøyet

- |                         |                       |
|-------------------------|-----------------------|
| ① Fremre blad           | ⑦ LED                 |
| ② Kjevefrigjøringspaker | ⑧ Utløser             |
| ③ Bakre blad            | ⑨ Starter             |
| ④ Bladsikringsbolt      | ⑩ Tilleggshåndtak     |
| ⑤ Henger                | ⑪ 5 mm sekskantskruer |
| ⑥ Håndtak               | ⑫ Batteri             |

**⚠ ADVARSEL Les alle sikkerhetsanvisninger, instruksjer, bildeforklaringer og data som fulgte med maskinen.** Feil ved overholdelsen av advarslene og nedenstående anvisninger kan medføre elektriske støt, brann og/eller alvorlige skader. **Ta godt vare på alle advarslene og informasjonene.**

### ⚠ SIKKERHETSANVISNINGER FOR KABELKUTTERE

For å redusere risikoen for en eksplosjon, elektrisk støt eller skade på eiendom og utstyr, skjær aldri i kabler med strøm. Verktøyet er IKKE isolert.

Hold hender og løstsittende klær unna kutteenheten og andre bevegelige deler. Det er fare for alvorlige skader, blant annet avklemte kroppsdeler.

Vernebekledning så vel som støvmaske, vernehansker, fast og skliskikkert skotøy, hjem og hørselsvern er anbefalt.

Bruk vernebekledning. Bruk alltid vernebriller når du arbeider med kabelkutteren.

Forhindre at kabelkutteren starter tilfeldig. Før du tilslutter et eksternt batteri, må du forsikre deg om at starteren er sikret med bryterlåsen.

Hold aldri kabelkutteren i kloen.

Før bruk må du alltid kontrollere at kloen ikke har hakk eller andre tegn til slitasje.

Kabelkutteren, det eksterne batteriet og laderen skal kun brukes så lenge de er i perfekt teknisk tilstand.

Skader skal med en gang repareres av et autorisert fagverksted.

Ta ut vekselbatteriet før du arbeider på maskinen

Kabelkutteren skal kun brukes med et innsatt kutteverktøy.

Fjern alle setteverktøy og skrunøkler før bruk.

Før å forebygge skader eller ødeleggelse dypp aldri verktøyet, det eksterne batteriet eller laderen i væske eller la væske trenge inn i noen av delene.

Hold kabelkutteren med begge håndtakene.

Skulle det oppstå feil i løpet av kuttingen, løs starteren umiddelbart og trykk på den hydrauliske tilbakestillingsknappen.

Ventilen åpner seg og kolben går tilbake til utgangsposisjonen.

#### RESTFARER

Før du begynner med kuttingen må området være sikret i henhold til lokale reguleringer.

Kutt aldri kabler som ikke er koblet fra strømforsyningen.

Kabler og wirer må ikke utsettes for mekanisk kraft.

Dersom disse instruksjonene ikke overholdes, kan dette føre til alvorlige skader, død, brann eller skade på eiendom som følge av elektrisk støt, eksplosjon og/eller lysbue.

Bruk vernebrille.

#### FORMÅLMESSIG BRUK

Kabelkutteren egner seg til å kutte over spenningsfrie kabler i isolert kobber eller aluminium, ACSR-wirer (aluminium/stål-wire), ståltau, avhengig av kabeltypen.

Skjære eller kutte kabler eller wirer med kabelkutteren skal kun utføres av en person med elektroteknisk opplæring.

Brukeren av kabelkutteren må være informert om de spesielle farene forbundet ved bruk av kabelkutteren og om vesentlige sikkerhetsregler for kutteren tas i bruk. Deretter må brukeren informeres minst én gang årlig.

Den virkende bedriften må:

- gjøre bruksanvisningen tilgjengelig for brukeren og
- forsikre om at brukeren har lest og forstått den.

**⚠ ADVARSEL Les alle sikkerhetsanvisninger, instruksjer, bildeforklaringer og data som fulgte med maskinen.** Feil ved overholdelsen av advarslene og nedestående anvisninger kan medføre elektriske støt, brann og/eller alvorlige skader.

**Ta godt vare på alle advarslene og informasjonene.**

#### BRUK

##### Oppsett av arbeidsområdet

Før arbeidet begynner må en forsikre seg om at ledningene eller wirene ikke står under strøm, og at de ikke kan komme under strøm så lenge arbeidet pågår.

Dersom det ikke kan forsikres over enhver tvil at kablene eller isolerte linjer er frakoblet, må man ikke fortsette arbeidet.

Ta hensyn til lokale regler og forskrifter om sikkerhet.

Kabler og wirer må ikke utsettes for mekanisk kraft, og de må sikres mot ukontrollerte bevegelser etter at de er kuttet.

Ikke utsett verktøy for regn. Ikke bruk verktøy i fuktige eller våte omgivelser.

##### Forberedelser av kabelkutteren og batteriet

Før hver bruk:

- Kontroller kabelkutteren for eksterne mangler
- Kontroller at kutteverktøyet ikke har hakk eller andre tegn til slitasje

Kun til bruk i perfekt tilstand!

Før en begynner med kuttingen, må man sjekke batteriets kapasitet: minimum 33% (se illustrert beskrivelse).

Det er mulig at batteriet må lades før en begynner med arbeidet.

##### Forberedelser av kuttingen

Kabler og wirer som skal kuttes må støttes opp og festes for å minimere risikoen for ukontrollerte bevegelser.

Spesielt luftledninger og wirer kan bevege seg ukontrollert og føre til personskader og/eller andre ødeleggelse.

Skjærehodet må holdes i en rett vinkel på kabelen eller wiren, slik at de faller i de åpne gjengebakkene uten spenning og blir liggende. Slik unngås ugunstige skjærkrefter.

**⚠ ADVARSEL: For å redusere risikoen for en eksplosjon, elektrisk støt eller skade på eiendom og utstyr, skjær aldri i kabler med strøm.**

**Verktøyet er IKKE isolert. Kontakt med en aktiv strømkrets kan føre til alvorlige skader eller døden. Skru av strømmen før du kutter. Kutt aldri i gassledninger eller vannrør. Hold fingrene unna alle skjærekanter og deler som beveger seg. Det kan føre til vevsskader og amputasjoner.**

**Ta alltid ut batteriet før du bytter eller fjerner tilleggsutstyr. Bruk kun tilleggsutstyr som er spesielt anbefalt for dette verktøyet. Annet utstyr kan være farlig.**

**For å minimere risikoen for skaler, bruk vernebriller eller briller med sidebeskyttelse.**

**⚠ ADVARSEL: For å minimere risikoen for skade, kutt kun materialer som er anbefalt for bladene. (se «spesifikasjoner») Ikke forsøk å kutte andre materialer.**

##### Kutte

- Før kutting, kontroller at alle bladene er installert på riktig måte.
- 1. Legg kabelen i en rett vinkel i forhold til knivene på kabelkutteren. Ikke forsøk å lage et vinklet kutt. Dette vil ødelegge arbeidsstykket og bladene.

2. Ta et godt grep om håndtaket/håndtakene.

Trekk og hold starteren hele tiden under jobben.

Et LED-lys vil lyse når starteren trekkes opp.

Når kuttet er utført eller verktøyet er slått av, kan du slippe starteren. Start returbryteren, slik at gjengebakkene åpner seg.

*OBS: Arbeidsstykket kan bevege seg noe under kuttingen.*

##### Tiltak i tilfelle feil

- kabelen kan allerede ha et kutt og lede strøm. Informer alltid sikkerhetsansvarlig, avbryt arbeidet og begynn med passende sikringstiltak
- Vær alltid sikker på at verktøyet er og vil forbli frakoblet fra strømforsyningen før du nærmer deg og berører verktøyet
- Trykk og hold tilbakestillingsknappen til kabelkutteren åpnes helt
- kontroller batteriets kapasitet
- kontroller materialet og materialets tykkelse i forhold til tekniske data
- Dersom der er mistanke om at det er kuttet en kabel med strøm, må kabelkutteren kontrolleres av et verksted med en autorisert spesialist



## Blokkerte blader

Smuss og produktrester kan blokkere bladene etter kuttingen

- Trykk og hold utløseren for å forsikre at verktøyet er tilbakestilt.
- Ta ut batteriet.
- Følg beskrivelsen på bildene for å åpne gjengebakkene
- Rengjør bladene for smuss og produktrester før du fortsetter med neste kutt.

## Kuttetips

- Ikke forsøk å lage et vinklet kutt. Dette vil ødelegge arbeidsstykket og bladene.
- Kutt i rent materiale for å forlenge bladens levetid. Tørk vekk smuss og produktrester fra materialet og bladene før du starter kuttingen.

## VEDLIKEHOLD

Ta ut vekselbatteriet før du arbeider på maskinen

Du må aldri åpne kabelkutteren, det eksterne batteriet eller laderen.

Kontroller kabelkutteren for eventuelle problemer som lyder eller blokkering av bevegelige deler som kan påvirke verktøyet.

Kontroller at kutteverktøyet ikke har hakk eller andre tegn til slitasje.

Når jobben er fullført, må kutteverktøyet rengjøres og smøres.

Kontroller at skjærekantene er skarpe og skift kloten dersom den er slitt.

Skift blader når de har fått hakk eller er ødelagt. Skift alltid alle bladene samtidig. Bruk kun MILWAUKEE-blader.

Kontroller at kutteverktøyet kan beveges fritt.

For å forebygge skader eller ødeleggelse dypp aldri verktøyet, det eksterne batteriet eller laderen i væske eller la væske trenge inn i noen av delene.

Hold alltid luftenåpningene på maskinen rene.

Apparatet inneholder hydraulikkolje som er en fare for grunnvannet. Ukontrollerte utslipp eller usakmessige deponering av oljen er straffbart.

Verktøyet må på service hver 6. til hver 12. måned, avhengig av hvor mye det er brukt.

Du kan lese mer om serviceintervall på ONE-KEY appen.

Vedlikeholds- og reparasjoner skal bare utføres av autoriserte fagverksteder.

Bruk kun Milwaukee tilbehør og Milwaukee reservedeler. Komponenter der utskifting ikke er beskrevet skal skiftes ut hos Milwaukee kundeservice (se brosjyre garanti/kundeserviceadresser).

Ved behov kan du be om en eksplosjonstegning av apparatet hos din kundeservice eller direkte hos Techtronic Industries GmbH, Max-Eyth-Straße 10, 71364 Winnenden, Germany. Oppgi maskintype og det nummeret på typeskiltet.

## ONE-KEY™

Du kan lese mer om verktøyet ONE-KEY funksjonalitet på vedlagte hurtigstartanvisning eller besøk vår nettside på <http://www.milwaukee.com/one-key>.

Du kan også laste ned vår ONE-Key app til din smarttelefon fra App Store eller Google Play.

Når det oppstår en elektrostatisk utladning, blir Bluetooth-kommunikasjonen koblet fra og app-grensesnittet avsluttet. Og appen er ikke i bruk på 45 sekunder. Etter 45 s, må appen nullstilles for å bli gjenopprettet.\* Vi vurderer at resultatet er innenfor vårt minste akseptable ytelsesnivå i henhold til EN 301489-1/ EN 301489-17. Og vi kommer til å gi kunden en driftsveiledning i bruksanvisningen.

## BATTERIER

En temperatur over 50°C reduserer vekselbatteriets kapasitet. Unngå oppvarming i sol eller ved varmeovner (fyring) i lengre tid. Hold tilkoplingskontaktene på lader og vekselbatteri rene.

For optimal holdbarhet må batteriene lades opp helt etter bruk. Vekselbatterier som ikke er brukt over lengre tid skal etterlades før bruk.

For å sikre en lengst mulig brukstid av batteriene skal disse etter oppladning taes ut av laderen.

Ved lagring av batteriene lengre enn 30 dager:, Lagre batteriet tørt ved ca. 27°C., Lagre batteriet ved en oppladningstilstand på ca. 30%-50%., Lade opp batteriet igjen etter 6 måneder.

Ikke kast brukte vekselbatterier i varmen eller husholdningssavfallet. Milwaukee tilbyr en miljøriktig deponering av gamle vekselbatterier; vennligst spør din fagforhandler.

Ikke oppbevar vekselbatterier sammen med metallgjenstander (kortslutningsfare).

Vekselbatterier av systemet M18 skal kun lades med lader av systemet M18. Ikke lad opp batterier fra andre systemer.

## TRANSPORT AV LITUM-ION-BATTERI

Litium-ion-batterier faller under de lovfestede forskriftene om transport av farlig gods.

Transporten av disse batteriene må rette seg etter lokale, nasjonale og internasjonale forskrifter og bestemmelser.

Forbruker har lov å transportere disse batteriene på gaten uten reglementering.

Den kommersielle transport av Litium-ion-batterier av spedisjonsfirma faller under bestemmelsene om transport av farlig gods. Forberedningene av forsendelsen og transport skal utelukkende gjennomføres av personer som har blitt skolert til dette. Hele prosessen skal følges opp av fagfolk.

Følgende punkter skal tas hensyn til ved transport:

Kontroller at kontaktene er beskyttet og isolert for å unngå kortslutninger. Pass på at batteripakken i forpakningen ikke kan skli fram og tilbake. Skadede eller batterier som lekker er det ikke lov å transportere. Ta kontakt med spedisjonsfirma for ytterlige henvisninger.



Nor

## CE-SAMSVARERKLÆRING

Vi erklærer i alene ansvar at produktet beskrevet i „Teknisk data“ overensstemmer med alle relevante forskrifter til Eu direktiv 2011/65/EU RoHS, 2006/42/EC, 2014/30/EU, 2014/53/EU og de følgende harmoniserte normative dokumentene. fyrstikker

EN 62841-1:2015

EN 62479:2010

EN 60950-1:2006+A11:2009+A1:2010+A12:2011+AC:2011+A2:2013

EN 55014-1:2006+A1:2009+A2:2011

EN 55014-2:2015

EN 50581:2012

EN 301 489-1 V1.9.2 (2011-09)

EN 301 489-17 V2.2.1 (2012-09)

EN 300 328 V1.9.1 (2015-02)



Winnenden, 2017-05-03

Alexander Krug / Managing Director  
Autorisert til å utarbeide den tekniske dokumentasjonen

Techtronic Industries GmbH  
Max-Eyth-Straße 10, 71364 Winnenden, Germany

## SYMBOLER



Les nøye gjennom bruksanvisningen før maskinen tas i bruk.



ADVARSEL!

Fare for personskader på grunn av biter som slynges ut



Bruk alltid vernebrille når du arbeider med maskinen.



Fare for elektrisk støt



OBS! ADVARSEL! FARE!



Ta ut vekselbatteriet før du arbeider på maskinen



Hold hendene unna kutteenheten og andre bevegelige deler. Fingrene kan komme i klem i kuttemekanismen og kappes av eller bli skadet på annen måte.



Tilbehør - inngår ikke i leveransen, anbefalt komplettering fra tilbehørsprogrammet.



Elektriske apparat skal ikke kastes sammen med vanlig husholdningsavfall. Elektriske og elektroniske apparat skal samles separat og leveres til miljøvennlig deponering til en avfall bedrift. Informer deg hos myndighetene på stedet eller hos din fagforhandler hvor det finnes recycling bedrifter oppsamlingssteder.



CE-tegn



UkrSEPRO Konformitetstegn.



EurAsian Konformitetstegn.



TEKNISKA DATA	M18 HCC45
<b>Kabelavbitare</b>	
Produktionsnummer	4587 00 01... ... 000001-999999
Batterispänning	18 V
Nominell kraft	77,8 kN
Skärområde Beror på kabeltyp	max. Ø 44 mm
ACSR: Aluminium-/Stålvajrar Koppar / Aluminium	
Vikt enligt EPTA 01/2003 (Li-Ion 2,0 Ah)	6,0 kg
<b>Bullerinformation</b>	
Mätvärdena har tagits fram baserade på EN 62841. A-värdet av maskinens ljudnivå utgör:	
Ljudtrycksnivå (Onoggrannhet K=3dB(A))	76,9 dB(A)
Ljudeffektsnivå (Onoggrannhet K=3dB(A))	87,9 dB(A)
<b>Använd hörselskydd!</b>	
<b>Vibrationsinformation</b>	
Totala vibrationsvärden (vektorsumma ur tre riktningar) framtaget enligt EN 62841.	
Vibrationsemissionsvärde <sub>a</sub>	1,2 m/s <sup>2</sup>
Onoggrannhet K=	1,5 m/s <sup>2</sup>

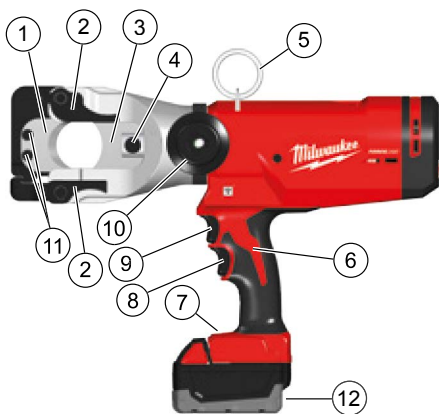


### VARNING!

Den i de här anvisningarna angivna vibrationsnivån har uppmätts enligt ett i EN 62841 normerat mätförfarande och kan användas vid jämförelse mellan olika elverktyg. Nivån är även lämplig att använda vid en preliminär bedömning av vibrationsbelastningen.

Den angivna vibrationsnivån representerar den huvudsakliga användningen av det aktuella elverktyget. Men om elverktyget ska användas i andra användningsområden, tillsammans med avvikande insatsverktyg eller efter otillräckligt underhåll, kan vibrationsnivån skilja sig. Det kan öka vibrationsbelastningen betydligt under hela arbetstiden.

För att få en exaktare bedömning av vibrationsbelastningen ska även den tid beaktas, under vilken elverktyget är avstängt eller är påslaget, utan att det verkligen används. Det kan reducera vibrationsbelastningen betydligt under hela arbetstiden. Lägg som skydd för användaren fast extra säkerhetsåtgärder mot vibrationernas verkan, som till exempel: underhåll av elverktyg och insatsverktyg, varmhållning av händer och organisering av arbetsförlopp.



### Enhetsbeskrivning

- |                                 |   |
|---------------------------------|---|
| ① Främre bladet                 | ⑦ LED                                   |
| ② Spakar för att öppna käftarna | ⑧ Frigörningsavtryckare                 |
| ③ Bakre bladet                  | ⑨ Avtryckare                            |
| ④ Hållarstift                   | ⑩ Extra handtag                         |
| ⑤ Hållare                       | ⑪ 5 mm Skruvar med invändigt sexkanthål |
| ⑥ Handtag                       | ⑫ Batteri                               |

**⚠ VARNING** Läs alla säkerhetsanvisningar, instruktioner, beskrivningar och uppgifter som du får tillsammans med apparaten. Fel som uppstår till följd av att anvisningarna nedan inte följs kan orsaka elstöt, brand och/eller allvarliga kroppsskador.

**Förvara alla varningar och anvisningar för framtida bruk.**

### ⚠ SÄKERHETSANVISNINGAR FÖR KABELAVBITARE

För att minska risken för explosioner, elektriska stötar och egendoms- och utrustningsskador, skär aldrig av elförande elektriska kablar. Verktyget är INTE isolerat.

Håll händer och löst sittande kläder borta från skärverktyg och andra rörliga delar. Det finns en risk för allvarlig skada, vilket inkluderar avslitning av armar och ben.

Som skyddsutrustning rekommenderar vi t ex en dammskyddsmask, skyddshandskar, stabila och halksäkra skor, hjälm och hörselskydd.

Använd skyddsutrustning. Använd alltid skyddsglasögon när du arbetar med kabelsaxen.

Förhindra oavsiktlig start av kabelsaxen. Innan du ansluter till ett löstagbart batteri, försäkra dig om att avtryckaren är säkrad med knapplåset.

Håll aldrig i kabelsaxen i skärbladen.

Innan användning, kontrollera alltid skärbladen för sprickor och andra tecken på slitage.

Använd endast kabelsaxen, löstagbart batteri och laddare om de är i tekniskt felfritt skick.

Kontakta omedelbart en auktoriserad fackverkstad för reparation om produkten skulle vara skadad.

Drag ur batteripaket innan arbete utföres på maskinen.

Kabelsaxen kan endast användas med ett insatt skärverktyg. Ta bort eventuellt inställningsverktyg och skiftnycklar innan du skär.

För att undvika person- eller materialskador doppa aldrig verktyget, det löstagbara batteriet eller laddaren i vätska och låt inte vätska penetrera dessa.

Håll i kabelsaxen i båda handtagen.

I händelse av fel under skärprocessen, släpp avtryckaren omedelbart och tryck in den hydrauliska återställningsknappen.

Ventilen öppnas och kolven går tillbaka till utgångsläget.

#### KVARSTÅENDE RISKER

Innan skärprocessen påbörjas måste området avskärmas i enlighet med lokala föreskrifter.

Skär endast av kablar som har kopplats bort från strömförsörjningen.

Kablar och linor får inte vara utsatta för mekaniska belastningar.

Underlåtenhet att efterkomma denna anvisning kan leda till allvarliga personskador, dödsfall, brand och annan skada på egendom till följd av elektriska stötar, explosion och/eller elbögar.

Använd skyddsglasögon.

#### ANVÄND MASKINEN ENLIGT ANVISNINGARNA

Kabelavbitaren lämpar sig för att kapa spänningslösa kablar av isolerad koppar eller aluminium, ACSR-vajrar (aluminium/stållinor), stålvajrar, beroende på typ av kabel.

Att skära resp. kapa kablar och vajrar med hjälp av denna kabelavbitare får endast utföras av en person med utbildning i elektroteknik.

Operatören av denna kabelsax måste utbildas i de särskilda faror som är förknippade med att använda denna kabelsax och i grundläggande säkerhetsåtgärder innan arbete med den för första gången och minst en gång per år därefter.

Driftsbolaget måste:

- göra bruksanvisningen tillgänglig för operatören och
- säkerställa att operatören har läst och förstått den.

**⚠️ VARNING** Läs alla säkerhetsanvisningar, instruktioner, beskrivningar och uppgifter som du får tillsammans med apparaten. Fel som uppstår till följd av att anvisningarna nedan inte följs kan orsaka elstöt, brand och/eller allvarliga kroppsskador.

**Förvara alla varningar och anvisningar för framtida bruk.**

#### ANVÄNDNING

##### Uppställning av arbetsområdet

Innan arbetet påbörjas måste ledningarna eller kablarna göras spänningslösa och säkras för den tid som arbetena pågår.

Om det inte kan säkerställas bortom allt tvivel att kabeln eller den isolerade linjen har fränkopplats kan inget arbete utföras.

Lokala säkerhetsföreskrifter och bestämmelser måste under alla omständigheter beaktas.

Kablar och linor får inte vara utsatta för mekaniska belastningar och måste eventuellt säkras mot okontrollerade rörelser efter kapningen.

Utsätt inte verktyg för regn. Använd inte verktyg i fuktiga eller våta utrymmen.

##### Förberedelse av kabelsax och batteri

Innan varje användning:

- Inspektera kabelskäraren för externa defekter
  - Kontrollera skärverktyget för sprickor och andra tecken på slitage
- Använd endast vid perfekt skick!

Innan skärprocessen påbörjas måste batterikapaciteten kontrolleras: minst 33 % (se illustrerad beskrivning).

Det kan kräva laddning innan arbetet påbörjas.

##### Förberedelse för skärprocessen

Stötta och fixera den kabel eller lina som ska kapas för att minimera risken för en okontrollerad rörelse.

I synnerhet kan luftledningar och linor okontrollerat hamna i rörelse och orsaka personskador och/eller materiella skador.

Skärhuvudet måste läggas an mot kabeln eller linan i en vinkel på 90°, så att denna ligger utan spänning i de öppnade käftarna och man undviker oöyngsamma skjuvkrafter.

**⚠️ VARNING:** För att minska risken för explosioner, elektriska stötar och egendoms- och utrustningsskador, skär aldrig av elförande elektriska kablar.

Verktyget är INTE isolerat. Kontakt med en strömförande krets kan leda till allvarliga skador eller dödsfall. Stäng av strömmen innan du skär. Skär aldrig gas- eller vattenledningar. Håll händerna borta från alla skäreppor och rörliga delar. Skärsår eller amputation kan förekomma.

Ta alltid ur batteriet innan du ändrar eller tar bort tillbehör. Använd endast tillbehör som specifikt rekommenderas för detta verktyg. Andra kan vara farliga.

För att minska risken för personskador, använd skyddsglasögon eller glasögon med sideskydd.

**⚠️ VARNING:** För att minska risken för personskador, skär endast i material rekommenderade för bladen. (se "Specifikationer") Försök inte att skära i andra material.

##### Skärning

• Innan du skär, försäkra dig om att bladen är korrekt installerade.

1. För kabeln i rätt vinkel mot kabelavbitarens egg. Försök inte göra vinklade skärningar eftersom det kommer att skada arbetsstycket och bladen.

2. Greppa handtaget/handtagen ordentligt.

Flytta skjutreglaget till låst läge. Dra och håll in avtryckaren under operationen.

Ett LED-ljus kommer att tändas när avtryckaren trycks in.

När kapningen utförts eller verktyget stängs av, släpper du åter avtryckaren och trycker på återställningsknappen för att öppna käftarna.

*Observera: Arbetsstycket kan röra sig något under skärningen.*



Sve



## Åtgärder vid fel

- kabeln kan vara skuren och spänningsförande, informera alltid säkerhetsansvarig, avbryt kapningen, vidta lämpliga säkerhetsåtgärder
- Säkerställ alltid att enheten är och fortsätter vara fränkopplad från strömförsörjningen innan du närmar dig eller rör vid enheten
- Tryck och håll in återställningsknappen tills bladen öppnar sig helt
- kontrollera batterikapaciteten
- kontrollera material och materialjocklek mot den tekniska datan
- Om man misstänker att en strömförande kabel har skurits av måste kabelsaxen inspekteras i en auktoriserad verkstad

## Blad som fastnat

Smuts och skräp kan orsaka att bladen fastnar i varandra efter en skärning

- Tryck och håll in frigöringsavtryckaren för att säkerställa att verktyget är återställt.
- Ta bort batteriet.
- Följ beskrivningen på bilderna för att öppna kåftarna
- Ta bort eventuell smuts och eventuellt skräp från bladen innan du påbörjar nästa skärning.

## Skärtips

- Försök inte göra vinklade skärningar eftersom det kommer att skada arbetsstycket och bladen.
- Skär rena material för att förlänga bladens livslängd. Torka bort smuts och skräp från material och blad innan du påbörjar skärning.

## SKÖTSEL

Drag ur batteripaket innan arbete utföres på maskinen.

Öppna aldrig kabelsaxen, det utbytbara batteriet eller laddaren.

Kontrollera kabelsaxen för eventuella problem såsom oljud eller att rörliga delar fastnar vilket kan påverka verktyget.

Kontrollera skärverktygen för sprickor och andra tecken på slitage.

Vid slutförandet av arbetet, rengör och smörj skärverktyget.

Kontrollera att skärkanterna är vassa och ersätt slitna skärblad.

Ersätt bladen när de har sprickor eller har skadats. Ersätt alltid knivarna som ett set. Använd endast MILWAUKEE-blad.

Kontrollera att skärverktygen kan röra sig fritt.

För att undvika person- eller materialskador doppa aldrig verktyget, det löstagbara batteriet eller laddaren i vätska och låt inte vätska penetrera dessa.

Se till att motorhöljets luftslitsar är rena.

I apparaten finns hydraulolja som är farlig för grundvattnet. Det är straffbart att tappa av hydraulolja okontrollerat eller att ta hand om den som avfall på annat än föreskrivet sätt.

Enheten ska servas var sjätte till tolfte månad, beroende på användning.

Du kan ta reda på mer om serviceintervaller via ONE-KEY-appen.

Underhållsarbeten och reparationer får endast utföras på auktoriserade fackverkstäder.

Använd endast Milwaukee-tillbehör och Milwaukee-reservdelar. Komponenter, för vilka inget byte beskrivs, skall bytas ut hos Milwaukee-kundtjänst (se broschyren garanti-/kundtjänstadresser).

Vid behov av sprängskiss, kan en sådan, genom att uppge maskinens art. nr. (som finns på typskylten) erhållas från: Techtronic Industries GmbH, Max-Eyth-Strasse 10, 71364 Winnenden, Germany.

## ONE-KEY™

Läs medföljande snabbvägledning eller besök oss på Internet på <http://www.milwaukeeetool.com/one-key>, för att få reda på mer om ONE-KEY-funktionen hos det här verktyget.

Du kan ladda ner ONE-KEY-appen till din smarttelefon via App Store eller Google Play.

Vid elektrostatisk urladdning, kommer Bluetooth-förbindelsen att avbrytas och App-gränssnittet att utgå. Och den används inte app i 45 sekunder. Efter 45 sekunder, behöver den återställa APP för att svalna." Vi anser att resultatet håller sig inom vår minimigräns för acceptabel prestandanivå enligt EN 301489-1/ EN 301489-17. Och vi kommer att ge kunden en handledning för drift i bruksanvisningen.

## BATTERIER

En temperatur över 50°C reducerar batteriets effekt. Undvik längre uppvärmning tex i solen eller nära ett element.

Se till att anslutningskontaktarna i laddaren och på batteriet är rena.

För att batterierna ska få lång livslängd ska de laddas fulla efter användning. Batteri som ej använts på länge måste laddas före nytt bruk.

För att få en så lång livslängs som möjligt bör laddningsbara batterier avlägsnas från laddaren när de är laddade.

Om laddningsbara batterier lagras längre än 30 dagar, Lagra batteriet torrt och vid ca 27°C., Lagra batteriet vid ca 30%-50% av laddningskapaciteten., Ladda batterierna på nytt var 6:e månad.

Kasta inte förbrukade batterier. Lämna dem till Milwaukee Tools för återvinning.

Förvara ej batteriet ihop med metallföremål, kortslutning kan uppstå.

System M18 batterier laddas endast i System M18 laddare. Ladda inte batterier från andra system.

## TRANSPORTERA LITIJUMJON-BATTERIER

För litiumjon-batterier gäller de lagliga föreskrifterna för transport av farligt gods på väg.

Därför får dessa batterier endast transporteras enligt gällande lokala, nationella och internationella föreskrifter och bestämmelser.

Konsumenter får transportera dessa batterier på allmän väg utan att behöva beakta särskilda föreskrifter.

För kommersiell transport av litiumjon-batterier genom en speditorsfirma gäller emellertid bestämmelserna för transport av farligt gods på väg. Endast personal som känner till alla tillämpliga föreskrifter och bestämmelser får förbereda och genomföra transporten. Hela processen ska följas upp på fackmässigt sätt.

Följande ska beaktas i samband med transporten av batterier:

Säkerställ att alla kontakter är skyddade och isolerade för att undvika kortslutning. Se till att batteripacken inte kan glida fram och tillbaka i förpackningen. Transportera aldrig batterier som läcker, har runnit ut eller är skadade. För mer information vänligen kontakta din speditorsfirma.

## CE-FÖRSÄKRAN

Vi tar på vårt ansvar att produkten som har beskrivits under Tekniska data uppfyller alla relevanta villkor i direktiven 2011/65/EU RoHS, 2006/42/EG, 2014/30/EU, 2014/53/EU samt att följande harmoniserade standarder har använts.

EN 62841-1:2015

EN 62479:2010

EN 60950-1:2006+A11:2009+A1:2010+A12:2011+AC:2011+A2:2013

EN 55014-1:2006+A1:2009+A2:2011

EN 55014-2:2015

EN 50581:2012

EN 301 489-1 V1.9.2 (2011-09)

EN 301 489-17 V2.2.1 (2012-09)

EN 300 328 V1.9.1 (2015-02)



Winnenden, 2017-05-03

Alexander Krug / Managing Director  
Befullmäktigad att sammanställa teknisk dokumentation.

Techtronic Industries GmbH  
Max-Eyth-Straße 10, 71364 Winnenden, Germany

## SYMBOLER



Läs instruktionen noga innan du startar maskinen.



**VARNING!**  
Skaderisk på grund av ivägflygande brottstycken



Använd alltid skyddsglasögon.



Risk för elektrisk stöt



**OBSERVERA! VARNING! FARA!**



Drag ur batteripaket innan arbete utföres på maskinen.



Håll händer borta från skärverktyg och andra rörliga delar. Fingrar kan komma in i skärmekanismen och skäras av eller skadas.



Tillbehör - Ingår ej i leveransomfånget, erhålles som tillbehör.



Elektriska maskiner och elverktyg som kasseras får inte slängas tillsammans med de vanliga hushållsoporna. Elektriska maskiner och verktyg samt elektronisk utrustning som kasseras ska samlas separat och lämnas till en avfallsstation för miljövänlig avfallshantering. Kontakta den lokala myndigheten respektive kommunen eller fråga återförsäljare var det finns speciella avfallsstationer för elektrisk skrot.



CE-symbol



UkrSEPRO överensstämmelseymbol.



EurAsian överensstämmelseymbol.

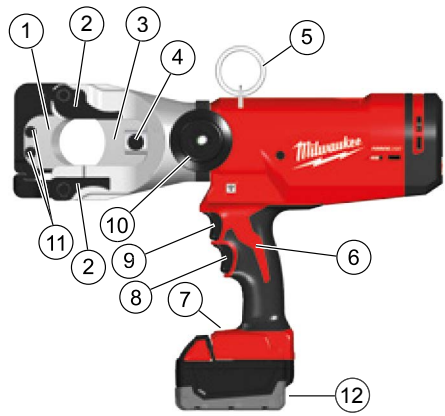


TEKNISET ARVOT	M18 HCC45
Johtoleikkuri	
Tuotantnumero	4587 00 01... ... 000001-999999
Jännite vaihtoakku	18 V
Nimellisvoima	77,8 kN
Leikkauslottuvuus Kaapelityypin mukaan	maks. Ø 44 mm
ACSR: Alumiini-/Vaijerit Kupari / Alumiini	
Paino EPTA-menetelyn 01/2003 mukaan (Li-Ion 2,0 Ah)	6,0 kg
<b>Melunpäästötiedot</b>	
Mitta-arvot määritetty EN 62841 mukaan. Koneen tyyppillinen A-luokitettu melutaso:	
Melutaso (Epävarmuus K=3dB(A))	76,9 dB(A)
Äänenvoimakkuus (Epävarmuus K=3dB(A))	87,9 dB(A)
<b>Käytä kuulosuojaimia!</b>	
<b>Tärinätiedot</b>	
Värähtelyn yhteisarvot (kolmen suunnan vektorisummitattuna EN 62841 mukaan.	
Värähtelymissioarvo <sub>h</sub>	1,2 m/s <sup>2</sup>
Epävarmuus K=	1,5 m/s <sup>2</sup>



### VAROITUS!

Näissä ohjeissa mainittu värähtelytaso on mitattu EN 62841-standardin mukaisella mittausmenetelmällä ja sitä voidaan käyttää sähkötyökalujen vertaamiseen. Sitä voidaan käyttää myös värähtelyrasituksen väliaikaiseen arviointiin. Mainittu värähtelytaso edustaa sähkötyökalun pääasiallista käyttöä. Jos sähkötyökalua kuitenkin käytetään muihin tehtäviin, poikkeavin työkaluin tai riittämättömästi huoltaen, värähtelytaso voi olla erilainen. Se voi korottaa värähtelyrasitusta koko työajan osalta. Tarkan värähtelyrasituksen toteamiseen tulee ottaa huomioon aika, jona laite on kytketty pois tai on kylläkin päällä, mutta ei käytössä. Se voi pienentää värähtelyrasitusta koko työajan osalta. Määrittele lisäturvatoimenpiteitä käyttäjän suojaamiseksi värinöiden vaikutukselta, kuten esimerkiksi: sähkötyökalujen ja käyttötyökalujen huolto, käsien lämpimänä pitäminen, työväiteiden organisaatio.



### Laitteen kuvaus

- |                        |                        |
|------------------------|------------------------|
| ① Etuterä              | ⑦ LED                  |
| ② Leuan vapautusvipu   | ⑧ Vapautin             |
| ③ Takaterä             | ⑨ Liipaisin            |
| ④ Terän kiinnitystappi | ⑩ Tukikahva            |
| ⑤ Kannatin             | ⑪ 5 mm kuusiokoloruuvi |
| ⑥ Käsi kahva           | ⑫ Akku                 |

**VAROITUS** Lue kaikki varoimenpiteet, ohjeet, kuvalliset esitykset ja tiedot, jotka toimitetaan laitteen mukana. Turvallisuusohjeiden noudattamisen laiminlyönti saattaa johtaa sähköiskuun, tulipalloon ja/tai vakavaan loukkaantumiseen. Säilytä kaikki turvallisuus- ja muut ohjeet tulevaisuutta varten.

### JOHTOLEIKKURIA KOSKEVAT VAROIMENPITEET

Älä koskaan leikkaa sähköjohtoja, joissa on jännitettä. Näin välttätään räjähdysriskiä, sähköiskulta ja omaisuusvahingoilta. Työkalu EI ole eristetty.

Älä laita käsiä tai päätä välttämättä vaateita leikkuriin ja muihin liikkuviin osiin. Vakava loukkaantumisvaara, mukaan lukien raajojen irtileikkautuminen.

Suosittellemme suojavarusteiden käyttöä, näihin kuuluvat pölysuojajanaamari, työkasineet, tukevat, luistamattomat jalkineet, kypärä ja kuulosuojukset.

Käytä suojavarusteita. Käytä aina suojalaseja, kun työskentelet kaapelileikkurilla.

Vältä käynnistämästä kaapelileikkuria vahingossa. Varmista, että liipaisin on varmistettu lukituskytkimellä ennen kuin liität laitteeseen irrotettavan akun.

Älä koskaan tartu kaapelileikkuriin kidoista.

Tarkista laitteen kidat aina halkeamilta tai muilta kulumilta ennen käyttöä.

Käytä kaapelileikkuria, irrotettavaa akkua ja laturia vain teknisesti moitteuttomassa kunnossa.

Anna valtuutetun alan ammattikorjaamon korjata vauriot heti.

Ota akku pois ennen kaikkia koneeseen tehtäviä toimenpiteitä.

Kaapelileikkuria voi käyttää ainoastaan, kun siihen on asennettu leikkuutyökalu.

Irrota kaikki säätötyökalut ja kiintoavaimet ennen leikkuuta.

Älä koskaan upota laitetta, irrotettavaa akkua tai laturia nesteeseen tai anna nesteen päästä niihin loukkaantumisten ja vahinkojen välttämiseksi.

Pidä kaapelileikkuria kaksin käsin.

Irrota liipaisin välittömästi ja paina hydraulista palautuspainiketta käyttöhäiriöiden ilmetessä leikkua aikana.

Venttiili avaa ja mäntä ajaa takaisin lähtöasemaansa.

## JÄÄMÄRISKIT

Pääsy paikalle on estettävä paikallisia määräyksiä noudattamalla ennen kuin leikkuutyöt aloitetaan.

Leikkaa vain kaapeleita, jotka ovat jännitteettömiä.

Kaapeleita ja vaijereita ei saa altistaa mekaanisille voimille.

Tämän ohjeen noudattamatta jättäminen voi johtaa vakaviin vammoihin, kuolemaan, tulipaloon tai muihin omaisuusvahinkoihin, jotka seuraavat sähköiskusta, räjähdyksestä ja/tai sähkökalokaarista.

Käytä suojalaseja.

## TARKOITUKSEN MUKAINEN KÄYTTÖ

Kaapelileikkuri soveltuu jännitteettömien, eristetystä kuparista tai alumiinista valmistettujen kaapeleiden, ACSR-vaijereiden (alumiini-/terasvaijerit), teräsvaijereiden leikkaamiseen, kulloinkin riippuen kaapelin tyypistä.

Vain sähkötekniistä koulutusta saaneet henkilöt saavat leikata kaapeleita ja vaijereita tämän kaapelileikkurin avulla.

Kaapelileikkurin käyttäjää on ohjeistettava erityisistä vaaratilanteista, jotka liittyvät kaapelileikkurin käyttöön, sekä olennaisista turvallisuutta koskevista toimenpiteistä ennen ensimmäistä työskentelykertaa laitteella sekä vähintään kerran vuodessa tämän jälkeen.

Laitteen omistajan on:

- annettava laitteen käyttöohje käyttäjän käyttöön
- varmistettava, että laitteen käyttäjä on lukenut ja ymmärtänyt käyttöohjeen sisällön.

**VAROITUS** Lue kaikki varoimenpiteet, ohjeet, turvalliset esitykset ja tiedot, jotka toimitetaan laitteen mukana. Turvallisuusohjeiden noudattamisen laiminlyönti saattaa johtaa sähköiskuun, tulipaloon ja/tai vakavaan loukkaantumiseen. Säilytä kaikki turvallisuus- ja muut ohjeet tulevaisuutta varten.

## KÄYTTÖ

### Työskentelyalueen valmistelu

Kaapeleiden ja vaijereiden on oltava jännitteettömät ennen kuin työ aloitetaan, samoin on varmistettava niiden jännitteettömyyksen aikana.

Älä suorita kaapelitöitä, jos varmuudella ei voi varmistaa, että kaapelit tai eristetyt linjat ovat jännitteettömiä.

Paikalliset turvallisuusmääräykset on ehdottomasti otettava huomioon.

Kaapeleita ja vaijereita ei saa altistaa mekaanisille voimille ja tarvittaessa on varmistettava, että ne eivät liiku kontrolloimattomasti leikkaamisen jälkeen.

Älä altista työkaluja sateelle. Älä käytä työkaluja kosteissa tai märissä paikoissa.

### Kaapelileikkurin ja akun valmistelu

Ennen jokaista käyttökertaa:

- Tarkasta kaapelileikkuri ulkoisilta vaurioilta

- Tarkasta leikkuutyökalu halkaemilta ja muilta kulumilta

Käytä vain moitteettomassa kunnossa!

Ennen kuin leikkuutyö aloitetaan, on akun lataus tarkistettava: lataustaso vähintään 33 % (ks. kuvitettu ohje).

Voi olla, että on tarpeen ladata akku ennen töiden aloittamista.

### Leikkuutyön valmistelu

Tue ja kiinnitä leikattava kaapeli tai vaijeri minimoidaksesi kontrolloimattoman liikkeen riskin.

Erityisesti vapaasti olevat kaapelit ja vaijerit voivat liikkua kontrolloimattomasti ja aiheuttaa loukkaantumisia ja / tai vaurioita.

Leikkuupää on asetettava 90° kulmaan kaapeliin tai vaijeriin nähden, siten että kaapeli tai vaijeri asettuu jännitteettömästi auki oleviin leikkuuleukoihin ja haitalliset leikkuuvoimat vältetään.

**VAROITUS:** Älä koskaan leikkaa sähköjohtoja, joissa on jännitettä. Näin vältetään räjähdysiltä, sähköiskulta ja omaisuusvahingoilta.

**Työkalu EI ole eristetty. Kosketus jännitteeseen voi aiheuttaa vakavia vammoja tai kuoleman. Kytke virta pois päältä ennen leikkuuta. Älä koskaan leikkaa kaasu- tai vesiputkia. Älä koske leikkuuteriin ja liikkuviin osiin käsin. Voit saada haavoja tai seurauksena voi olla amputaatio.**

**Irrota akkuyksikkö aina ennen kuin vaihdat tai irrotat lisävarusteita. Käytä vain erityisesti tälle työkalulle suositeltuja lisävarusteita. Muut voivat aiheuttaa vahinkoja.**

**Suojalasiin tai sivusuojallisten lasien käyttö vähentää vammautumisen vaaraa.**

**VAROITUS:** Leikkaa vain leikkuuterille suositeltuja materiaaleja loukkaantumisen vaaran vähentämiseksi. (ks. Tekniset tiedot) Älä yritä leikata muita materiaaleja.

### Leikkaus

- Varmista, että terät on asennettu asianmukaisesti ennen kuin aloitat leikkuutyön.

1. Vie kaapeli suorassa kulmassa kaapelileikkurin leikkuuterien väliin. Älä yritä leikata kulumia, koska se vahingoittaa työstettävää kappaletta ja leikkuuteriä.

2. Tartu kädensijaan/kädensijoihin lujasti.

Siirrä liukuytkin ei lukittuun asentoon. Vedä ja pidä liipaisimesta koko toiminnan aikana.

LED palaa, kun liipaisimesta vedetään.

Leikkua jälkeen, tai kun työkalu kytkeytyy pois päältä, vapautta laukaisin ja paina palautuskytkintä, jotta leikkuuleuat avautuvat.

*Huomaa: Työstettävä kappale voi liikkua hieman leikkua aikana.*

### Miten toimia häiriötilanteissa

- kaapelissa voi olla viiltoja ja se voi johtaa virtaa, tiedota aina turvallisuudesta vastaavaa henkilöä, keskeytä leikkuuprosessi, käynnistä tarvittavat turvallisuustoimenpiteet
- Varmista aina, että laite on irrotettu virtalähteestä eikä sitä liiteta virtalähteeseen ennen kuin tartut siihen.
- paina ja pidä palautuspainikkeesta kunnes leikkuri avautuu kokonaan



Suo

- tarkasta akun teho
- tarkasta materiaalin ja sen paksuuden tekniset tiedot
- Kaapelileikkuri on tarkastettava valtuutetun asiantuntijan korjaajan toimesta, jos on aihetta epäillä, että sähköä johtavia johtoja on leikattu.

### Jumittuneet leikkuuterät

Lika ja ainesjäämät yhdessä voivat aiheuttaa leikkuuterien jumittumisen leikkuun jälkeen.

- Varmista laitteen palautus painamalla ja pitämällä vapautinta.
- Irrota akkusykli.
- Noudata kuvaesitystä leikkuleukojen avaamiseksi
- Puhdista lika ja ainesjäämät leikkuuteristä ennen kuin aloitat leikkaamisen uudestaan.

### Ohjeita leikkuutyön suorittamiseksi

- Älä yritä leikata kulumia, koska se vahingoittaa työstettävää kappaletta ja leikkuuteriä.
- Leikkuuterä säilyy pitkäikäisenä, kun leikkaat puhdasta materiaalia. Pyyhi lika ja ainesjäämät materiaalista ja leikkuuterästä ennen kuin leikkaat.



Suo

### HUOLTO

Ota akku pois ennen kaikkia koneeseen tehtäviä toimenpiteitä.

Älä koskaan avaa kaapelileikkuria, irrotettavaa akkua tai laturia.

Tarkasta kaapelileikkuri häiriöiden, kuten liikkuvien osien aiheuttaman melun tai niiden jumittumisen osalta, jotka voivat vaikuttaa laitteen käyttöön.

Tarkasta leikkuuterät halkeamilta ja muilta kulumilta.

Puhdista ja rasvaa leikkuuterät, kun työ on saatettu päätökseen.

Tarkasta, että leikkuuterät ovat teräviä ja vaihda kuluneet kidat uusilla.

Vaihda leikkuuterät uusiin, kun niiden reunat ovat murtuneita tai ne ovat vahingoittuneita. Vaihda terät aina sarjana. Käytä vain MILWAUKEE-teriä.

Tarkasta, että leikkuuterät liikkuvat vapaasti.

Älä koskaan upota työkalua, irrotettavaa akkua tai laturia nesteeseen tai anna nesteen päästä niihin loukkaantumisten ja vahinkojen välttämiseksi.

Pidä moottorin ilmanottoaukot puhtaina.

Laitte sisältää hydraulioöljyä, joka on vaarallista pohjavedelle.

Valvotun poislaskemisen tai asiantuntijamiehen hävittämisen on rangaistava teko.

Laitte on huollettava 6–12 kuukauden välein käytön mukaan.

Saat lisätietoja huoltoväleistä ONE-KEY-sovelluksesta.

Vain valtuutetut alan ammattikorjaamot saavat suorittaa huolto- ja kunnossapitotyöt

Käytä ainoastaan Milwaukee lisätarvikkeita ja Milwaukee varaosia.

Mikäli jokin komponentti, jota ei ole kuvailtu, tarvitsee vaihtoa ota yhteys johonkin Milwaukee palvelupisteistä (kts. listamme takuuhuoltoilikkeiden/ palvelupisteiden osoitteista)

Tarpeen vaatiessa voit pyytää lähettämään laitteen kokoonpanopiirustuksen ilmoittamalla arvokilven numeron seuraavasta osoitteesta: Techtronic Industries GmbH, Max-Eyth-Straße 10, 71364 Winnenden, Germany.

### ONE-KEY™

Lue mukana toimitettu pikakäyttöohje tai käy verkossa sivulla <http://www.milwaukeeool.com/one-key> tutustuaksesi tämän työkalun ONE-KEY-toiminnallisuuteen.

Voit ladata ONE-KEY-sovelluksen App Storen tai Google Playn kautta älypuhelimellesi.

Kun sähköstaattinen purkaus tapahtuu, Bluetooth-viestintä katkeaa ja sovelluksen käyttöliittymästä poistutaan. Samoin kuin jos sovellusta ei käytetä 45 sekuntiin. 45 sekunnin jälkeen sovellus on nolattava, jotta se toipuu." Uskomme, että tulokset ovat hyväksyttävien suorituskyvyn vähimmäisvaatimustemme mukaiset EN 301489-1/EN 301489-17 mukaisesti. Annamme ohjausta toiminnasta asiakkaille käyttöoppaassa.

### AKKU

Yli 50°C lämpötilassa akun suorituskyky heikkenee. Vältä tähän akkujen säilyttämistä auringossa tai kuumissa tiloissa.

Pidä aina latauslaitteen ja akun kosketinpinnan puhtaina.

Optimaalisen käyttöiän saavuttamiseksi akut on ladattava täyteen käytön jälkeen. Pitkään käyttämättä olleet vaihtoakut on ladattava ennen käyttöä.

Mahdollisimman pitkän elinajan takaamiseksi akut tulee poistaa laturista lataamisen jälkeen.

Akkua yli 30 päivää säilytettäessä, Säilytä akku yli 27 °C:ssa ja kuivassa., Säilytä akku sen latauksen ollessa 30 % - 50 %, Lataa akku 6 kuukauden välein uudelleen.

Käytettyjä vaihtoakkua ei saa polttaa eikä poistaa normaalin jätehuollon kautta. Milwaukeeella on tarjolla vanhoja vaihtoakkua varten ympäristöystävällinen jätehuoltopalvelu.

Vaihtoakkua ei saa säilyttää yhdessä metalliesineiden kanssa (oikosulkuvaara).

Käytä ainoastaan System M18 latauslaitetta System M18 akkujen lataukseen. Älä käytä muiden järjestelmien akkuja.

### LITIUMI-IONIAKKUVEN KULJETTAMINEN

Litiumi-ioniakut kuuluvat vaarallisten aineiden kuljetuksesta annettujen lakien piiriin.

Näiden akkujen kuljettaminen täytyy suorittaa noudattaen paikallisia, kansallisia ja kansainvälisiä määräyksiä ja säädöksiä.

Kuluttajat saavat ilman muuta kuljettaa näitä akkuja teitä pitkin.

Kaupallisessa kuljetuksessa huolintaliikkeiden täytyy kuljettaa litiumi-ioniakkua vaarallisten aineiden kuljetuksesta annettujen määräysten mukaisesti. Ainoastaan tähän vastaavasti koulutetut henkilöt saavat suorittaa kuljetuksen valmistelutoimet ja itse kuljetuksen. Koko prosessia tulee valvoa asiantuntevasti.

Seuraavat kohdat tulee huomioida akkuja kuljetettaessa:

Varmista, että akkujen kontaktit on suojattu ja eristetty, jotta vältetään lyhytsulut. Huolehdi siitä, ettei akkusarja voi luiskahdtaa paikaltaan pakkauksen sisällä. Vahingoittuneita tai vuotavia akkuja ei saa kuljettaa. Pyydä tarkemmat tiedot huolintaliikkeeltäsi.

## TODISTUS CE-STANDARDINMUKAISUUDESTA

Vakuutamme täten olevamme yksin vastuussa siitä, että kohdassa "Tekniset tiedot" kuvattu tuote vastaa kaikkia direktiivien merkityksellisiä säädöksiä

2011/65/EU RoHS, 2006/42/EY, 2014/30/EU, 2014/53/EU ja seuraavia yhdenmukaistettuja standardeja on käytetty.

EN 62841-1:2015

EN 62479:2010

EN 60950-1:2006+A11:2009+A1:2010+A12:2011+AC:2011+A2:2013

EN 55014-1:2006+A1:2009+A2:2011

EN 55014-2:2015

EN 50581:2012

EN 301 489-1 V1.9.2 (2011-09)

EN 301 489-17 V2.2.1 (2012-09)

EN 300 328 V1.9.1 (2015-02)



Winnenden, 2017-05-03

Alexander Krug / Managing Director

Valtuutettu kokoamaan tekniset dokumentit.

Techtronic Industries GmbH

Max-Eyth-Straße 10, 71364 Winnenden, Germany

## SYMBOLIT



Lue käyttöohjeet huolellisesti, ennen koneen käynnistämistä.



**VAROITUS!**  
Murtuneet osat voivat aiheuttaa vammoja



Käytä laitteella työskennellessäsi aina suojalaseja.



Sähköiskun vaara



**HUOMIO! VAROITUS! VAARA!**



Ota akku pois ennen kaikkia koneeseen tehtäviä toimenpiteitä.



Älä laita käsiä leikkuriin ja muihin liikkuviin osiin. Sormet voivat joutua leikkurin mekanismiin sekä voivat vahingoittua tai leikkaantua irti.



Lisälaitte - Ei sisälly vakiovarustukseen, saatavana lisäturvikkeena.



Sähkölaitteita ei saa hävittää yhdessä kotitalousjätteiden kanssa. Sähkö- ja elektroniset laitteet tulee kerätä erikseen ja toimittaa kierrätysliikkeeseen ympäristöystävällistä hävittämistä varten. Pyydä paikallisilta viranomaisilta tai alan kauppiailtasi tarkemmat tiedot kierrätyspisteistä ja keräyspaikoista.



CE-merkki



UkrSEPRO -vaatimustenmukaisuusmerkki.

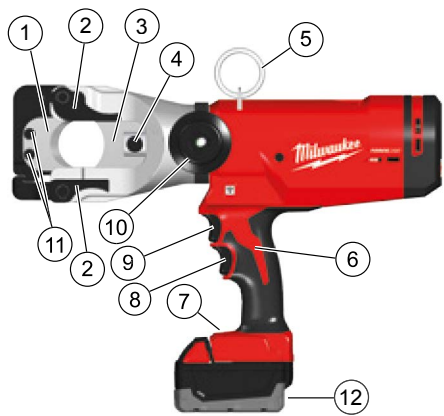


EurAsian-vaatimustenmukaisuusmerkki.



Suo

ΤΕΧΝΙΚΑ ΣΤΟΙΧΕΙΑ	M18 HCC45
Κόφτης καλωδίων	
Αριθμός παραγωγής	4587 00 01... ... 000001-999999
Τάση ανταλλακτικής μπαταρίας	18 V
Ονομαστική δύναμη	77,8 kN
Περιοχή κοπής Ανάλογα με τον τύπο καλωδίου	Μέγ. Ø 44 mm
ACSR: Αλουμίνιο-/Χαλύβδινα σχοινιά Χαλκός / Αλουμίνιο	
Βάρος σύμφωνα με τη διαδικασία EPTA 01/2003 (Li-Ion 2,0 Ah)	6,0 kg
<b>Πληροφορίες θορύβου</b>	
Τιμές μέτρησης εξακριβωμένες κατά EN 62841. Η σύφωνα με την καμπύλη A εκτιμηθείσα στάθμη θορύβου του μηχανήματος αναφέρεται σε:	
Στάθμη ηχητικής πίεσης (Ανασφάλεια K=3dB(A))	76,9 dB(A)
Στάθμη ηχητικής ισχύος (Ανασφάλεια K=3dB(A))	87,9 dB(A)
<b>Φοράτε προστασία ακοής (ωτασπίδες)!</b>	
<b>Πληροφορίες δονήσεων</b>	
Υλικές τιμές κραδασμών (άθροισμα διανυσμάτων τριών διευθύνσεων) εξακριβώθηκαν σύμφωνα με τα πρότυπα EN 62841.	
Τιμή εκπομπής δονήσεων <sub>h</sub>	1,2 m/s <sup>2</sup>
Ανασφάλεια K=	1,5 m/s <sup>2</sup>



### Περιγραφή συσκευής

- |                                   |                                   |
|-----------------------------------|-----------------------------------|
| ① Μπροστινή λεπίδα                | ⑦ Λυχνία LED                      |
| ② Μοχλό απελευθέρωσης<br>σιαγόνων | ⑧ Σκανδάλη απελευθέρωσης          |
| ③ Πίσω λεπίδα                     | ⑨ Σκανδάλη                        |
| ④ Πείρος συγκράτησης<br>λεπίδων   | ⑩ Πρόσθετη χειρολαβή              |
| ⑤ Αναρτήρας                       | ⑪ 5 mm βίδες με εξάγωνη<br>κεφαλή |
| ⑥ Λαβή                            | ⑫ ΜΠΑΤΑΡΙΑ                        |

### ΠΡΟΕΙΔΟΠΟΙΗΣΗ!

Το αναφερόμενο σ' αυτές τις οδηγίες επίπεδο δονήσεων έχει μετρηθεί με μια τυποποιημένη σύμφωνα με το EN 62841 μέθοδο μέτρησης και μπορεί να χρησιμοποιηθεί για τη σύγκριση των ηλεκτρικών εργαλείων μεταξύ τους. Αυτό είναι επίσης κατάλληλο για μια προσωρινή εκτίμηση της επιβάρυνση των δονήσεων.

Το αναφερόμενο επίπεδο δονήσεων αντιπροσωπεύει τις κύριες χρήσεις του ηλεκτρικού εργαλείου. Εάν όμως το ηλεκτρικό χρησιμοποιείται σε άλλες χρήσεις, με διαφορετικά εργαλεία εφαρμογής ή ανεπαρκή συντήρηση, μπορεί να υπάρξει απόκλιση του επιπέδου δονήσεων. Αυτό μπορεί να αυξήσει σημαντικά την επιβάρυνση των δονήσεων για τη συνολική διάρκεια της εργασίας. Για μια ακριβή εκτίμηση της επιβάρυνσης των δονήσεων οφείλουν επίσης να λαμβάνονται υπόψη οι χρόνοι, στους οποίους η συσκευή είναι απενεργοποιημένη ή είναι μεν ενεργοποιημένη αλλά δεν χρησιμοποιείται πραγματικά. Αυτό μπορεί να μειώσει σημαντικά την επιβάρυνση των δονήσεων για τη συνολική διάρκεια της εργασίας. Καθορίζετε πρόσθετα μέτρα ασφαλείας για την προστασία του χειριστή από την επίδραση των δονήσεων όπως για παράδειγμα: Συντήρηση του ηλεκτρικού εργαλείου και των εργαλείων εφαρμογής, διατηρείτε ζεστά τα χέρια, οργάνωση των διαδικασιών εργασίας.

**⚠ ΠΡΟΕΙΔΟΠΟΙΗΣΗ Διαβάστε όλες τις υποδείξεις ασφαλείας, τις οδηγίες, τις εικόνες και τα δεδομένα, τα οποία θα λάβετε μαζί με το μηχανήμα.** Αμέλειες κατά την τήρηση των προειδοποιητικών υποδείξεων μπορεί να προκαλέσουν ηλεκτροπληξία, κίνδυνο πυρκαγιάς ή/και σοβαρούς τραυματισμούς. **Φυλάξτε όλες τις προειδοποιητικές υποδείξεις και οδηγίες για κάθε μελλοντική χρήση.**

### ⚠ ΥΠΟΔΕΙΞΕΙΣ ΑΣΦΑΛΕΙΑΣ ΓΙΑ ΚΟΦΤΕΣ ΚΑΛΩΔΙΩΝ

Για να μειώσετε τον κίνδυνο εκρήξεων, ηλεκτροπληξίας, υλικών ζημιών και ζημιών στον εξοπλισμό, μην κόβετε ποτέ ρευματοφόρα ηλεκτρικά καλώδια. Το εργαλείο ΔΕΝ είναι μονωμένο.

Διατηρείτε τα χέρια και τα φαρδιά ρούχα μακριά από εργαλεία κοπής και άλλα κινούμενα εξαρτήματα. Υπάρχει κίνδυνος σοβαρών τραυματισμών, συμπεριλαμβανομένου κοψίματος άκρων του σώματος.

Συνιστούμε επίσης προστατευτική ενδυμασία όπως επίσης μάσκα προστασίας αναπνοής, προστατευτικά γάντια, σταθερά και ασφαλή στην ολίσθηση υποδήματα, κράνος και ωτασπίδες.

Χρησιμοποιείτε προστατευτικό εξοπλισμό. Φοράτε πάντα προστατευτικά γυαλιά, όταν εργάζεστε με τον κόφτη καλωδίων.

Αποτρέπετε την ακούσια εκκίνηση του κόφτη καλωδίων. Πριν από τη σύνδεση με επαναφορτιζόμενο συσσωρευτή βεβαιωθείτε ότι η σκανδάλη είναι ασφαλισμένη με την ασφάλεια ενεργοποίησης.

Μην κρατάτε ποτέ τον κόφτη καλωδίων από τις σιαγόνες κοπής.

Πριν από τη χρήση ελέγχετε πάντα τις σιαγόνες κοπής για ρωγμές και άλλες ενδείξεις φθοράς.

Χρησιμοποιείτε τον κόφτη καλωδίων, τον επαναφορτιζόμενο συσσωρευτή και τη συσκευή φόρτισης, μόνο εφόσον είναι σε

τεχνικά άριστη κατάσταση.

Σε περίπτωση βλάβης επισκευάστε τα άμεσα σε ένα εξουσιοδοτημένο συνεργείο.

Πριν από κάθε εργασία στη μηχανή αφαιρείτε την ανταλλακτική μπαταρία.

Ο κόφτης καλωδίων μπορεί να χρησιμοποιηθεί μόνο με τοποθετημένο το εργαλείο κοπής.

Αφαιρέστε όλα τα εργαλεία ρύθμισης και τα κλειδιά, πριν εκτελέσετε την κοπή.

Για να αποφύγετε τραυματισμούς και ζημιές, μη βυθίζετε ποτέ το εργαλείο, τον επαναφορτιζόμενο συσσωρευτή ή τη συσκευή φόρτισης σε υγρό και μην επιτρέπετε ποτέ να εισχωρήσει υγρό σε αυτά.

Κρατάτε τον κόφτη καλωδίων και από τις δύο λαβές.

Σε περίπτωση βλάβης κατά τη διάρκεια της κοπής, απελευθερώστε αμέσως τη σκανδάλη και πατήστε το υδραυλικό κουμπί επαναφοράς.

Η βαλβίδα ανοίγει και ο κύλινδρος γυρνάει στην αρχική του θέση.

### ΛΟΙΠΟΙ ΚΙΝΔΥΝΟΙ

Πριν από την έναρξη της διαδικασίας κοπής πρέπει να εμποδίζεται η πρόσβαση σύμφωνα με τους τοπικούς κανονισμούς.

Κόβετε μόνο καλώδια, τα οποία έχουν αποσυνδεθεί από το ηλεκτρικό ρεύμα.

Τα καλώδια και τα σχοινιά δεν επιτρέπεται να είναι εκτεθειμένα σε μηχανικές δυνάμεις.

Η μη τήρηση αυτής της οδηγίας μπορεί να οδηγήσει σε σοβαρούς τραυματισμούς, θάνατο, πυρκαγιά και άλλες υλικές ζημιές λόγω ηλεκτροπληξίας, έκρηξης και/ή ηλεκτρικών τόξων.

Φοράτε προστατευτικά γυαλιά.

### ΧΡΗΣΗ ΣΥΜΦΩΝΑ ΜΕ ΤΟ ΣΚΟΠΟ ΠΡΟΟΡΙΣΜΟΥ

Ο κόφτης καλωδίων είναι κατάλληλος για το διαχωρισμό καλωδίων χωρίς τάση από χαλκό ή αλουμίνιο με μόνωση, σχοινιών ACSR, (σχοινιά αλουμινίου/χάλυβα), χαλύβδινων σχοινιών, κάθε φορά ανάλογα με τον τύπο καλωδίου.

Η κοπή ή ο διαχωρισμός καλωδίων και σχοινιών με τη βοήθεια αυτού του κόφτη καλωδίων επιτρέπεται να εκτελείται μόνο από άτομα με ηλεκτροτεχνική εκπαίδευση.

Πριν από την πρώτη χρήση και, στη συνέχεια, τουλάχιστον μία φορά το χρόνο, ο χειριστής του κόφτη καλωδίων πρέπει να ενημερώνεται σχετικά με τους ειδικούς κινδύνους που αφορούν τη χρήση του κόφτη καλωδίων, καθώς και με τα βασικά μέτρα ασφαλείας.

Η εταιρεία εκμετάλλευσης πρέπει:

- να παραδώσει το εγχειρίδιο λειτουργίας στο χειριστή και
- να διασφαλίσει ότι ο χειριστής το έχει διαβάσει και κατανοήσει.

**⚠️ ΠΡΟΕΙΔΟΠΟΙΗΣΗ Διαβάστε όλες τις υποδείξεις ασφαλείας, τις οδηγίες, τις εικόνες και τα δεδομένα, τα οποία θα λάβετε μαζί με το μηχάνημα.** Αμελείες κατά την τήρηση των προειδοποιητικών υποδείξεων μπορεί να προκαλέσουν ηλεκτροπληξία, κίνδυνο πυρκαγιάς ή/και σοβαρούς τραυματισμούς. **Φυλάξτε όλες τις προειδοποιητικές υποδείξεις και οδηγίες για κάθε μελλοντική χρήση.**

### ΕΦΑΡΜΟΓΗ

#### Προετοιμασία χώρου εργασίας

Πριν από την έναρξη της εργασίας, τα καλώδια ή τα σχοινιά πρέπει να είναι χωρίς τάση και να διασφαλιστεί ότι παραμένουν χωρίς

τάση κατά τη διάρκεια της εργασίας.

Εάν δεν διασφαλιστεί πέραν κάθε αμφιβολίας ότι το καλώδιο ή ο αγωγός με μόνωση έχει αποσυνδεθεί, δεν επιτρέπεται να εκτελούνται εργασίες.

Οι τοπικές διατάξεις ασφαλείας και οι κανονισμοί πρέπει να λαμβάνονται υπόψη.

Τα καλώδια και τα σχοινιά δεν επιτρέπεται να είναι εκτεθειμένα σε μηχανικές δυνάμεις και πρέπει, εάν χρειαστεί, να είναι ασφαλισμένα έναντι ανεξέλεγκτων κινήσεων μετά την κοπή.

Μην εκθέτετε τα εργαλεία στη βροχή. Μην χρησιμοποιείτε εργαλεία σε υγρούς ή βρεγμένους χώρους.

#### Προετοιμασία του κόφτη καλωδίων και του συσσωρευτή

Πριν από κάθε χρήση:

- Ελέγχετε τον κόφτη καλωδίων για εξωτερικές ζημιές
- Ελέγχετε το εργαλείο κοπής για ρωγμές και άλλες ενδείξεις φθοράς

Να χρησιμοποιείται μόνο σε άριστη κατάσταση!

Πριν από την έναρξη της διαδικασίας κοπής πρέπει να ελέγχεται η χωρητικότητα του συσσωρευτή: ελάχιστη 33% (βλέπε εικονογραφημένη περιγραφή).

Ενδεχομένως να είναι απαραίτητη η φόρτιση πριν από την έναρξη της εργασίας.

#### Προετοιμασία της διαδικασίας κοπής

Στηρίξτε τα στερέωστε το καλώδιο ή το σχοινί που πρόκειται να κόψετε, προκειμένου να ελαχιστοποιήσετε τον κίνδυνο μίας ανεξέλεγκτης κίνησης.

Ειδικότερα, τα ενάερα καλώδια και σχοινιά μπορούν να αρχίσουν να κινούνται ανεξέλεγκτα και να προκαλέσουν τραυματισμούς και/ή ζημιές.

Η κεφαλή κοπής πρέπει να τοποθετηθεί σε γωνία 90° ως προς το καλώδιο ή το σχοινί, έτσι ώστε το καλώδιο ή το σχοινί να βρίσκεται χωρίς τάσεις στις ανοιχτές σιαγώνες κοπής και να αποφεύγονται ανεπιθύμητες δυνάμεις διάτμησης.

**⚠️ ΠΡΟΕΙΔΟΠΟΙΗΣΗ: Για να μειώσετε τον κίνδυνο εκρήξεων, ηλεκτροπληξίας, υλικών ζημιών και ζημιών στον εξοπλισμό, μην κόβετε ποτέ ρευματοφόρα ηλεκτρικά καλώδια.**

**Το εργαλείο ΔΕΝ είναι μονωμένο. Η επαφή με ρευματοφόρο κύκλωμα μπορεί να οδηγήσει σε σοβαρούς τραυματισμούς ή θάνατο. Διακόψτε την παροχή ρεύματος, πριν εκτελέσετε μία κοπή. Μην κόβετε ποτέ αγωγούς αερίου ή νερού. Κρατάτε τα χέρια σας μακριά από όλες τις ακμές κοπής και τα κινούμενα μέρη. Υπάρχει κίνδυνος κοψίματος και ακρωτηριασμού.**

**Αφαιρείτε πάντα το πακέτο συσσωρευτών πριν από την αλλαγή ή αφαίρεση εξαρτημάτων. Χρησιμοποιείτε μόνο εξαρτήματα που συνιστώνται ειδικά για αυτό το εργαλείο. Η χρήση άλλων εξαρτημάτων μπορεί να είναι επικίνδυνη.**

**Για να μειώσετε τον κίνδυνο τραυματισμών, φοράτε προστατευτικά γυαλιά ή γυαλιά με πλάγια προστατευτικά.**

**⚠️ ΠΡΟΕΙΔΟΠΟΙΗΣΗ: Για να μειώσετε τον κίνδυνο τραυματισμών, κόβετε μόνο υλικά που συνιστώνται για τις λεπίδες. (βλέπε «Προδιαγραφές») Μην επιχειρήσετε να κόψετε άλλα υλικά.**





## Κοπή

• Πριν από την κοπή βεβαιωθείτε ότι οι λεπίδες είναι σωστά τοποθετημένες.

1. Τοποθετήστε το καλώδιο σε ορθή γωνία επάνω στις ακμές κοπής του κόφτη καλωδίων. Μην επιχειρήσετε να εκτελέσετε λοξοτομές, καθώς θα προκληθούν ζημιές στο τεμάχιο προς επεξεργασία και τις λεπίδες.

2. Κρατήστε καλά τις λαβές.

Πατήστε και κρατήστε πατημένη τη σκανδάλη κατά τη διάρκεια της κοπής.

Η λυχνία LED θα ανάψει, όταν πατήσετε τη σκανδάλη.

Όταν ολοκληρωθεί η κοπή ή απενεργοποιηθεί το εργαλείο, απελευθερώστε και πάλι τη σκανδάλη και πατήστε τον διακόπτη επαναφοράς, προκειμένου να ανοίξουν οι σιαγόνες κοπής.

*Σημείωση: Το τεμάχιο προς επεξεργασία ενδέχεται να μετακινηθεί ελαφρώς κατά τη διάρκεια της κοπής.*

## Συμπεριφορά σε περίπτωση βλάβης

- το καλώδιο ενδέχεται να είναι κομμένο και να φέρει ρεύμα, ενημερώνετε πάντα τον υπεύθυνο ασφαλείας, διακόπτετε τη διαδικασία κοπής, λαμβάνετε κατάλληλα μέτρα ασφαλείας
- Διασφαλίζετε πάντα ότι η συσκευή είναι και παραμένει αποσυνδεδεμένη από το ηλεκτρικό ρεύμα, πριν πλησιάσετε και αγγίξετε τη συσκευή
- Πατήστε και κρατήστε πατημένο το κουμπί επαναφοράς, μέχρι ο κόφτης να ανοίξει πλήρως
- Ελέγξτε τη χωρητικότητα του συσσωρευτή
- Ελέγξτε το υλικό και το πάχος του υλικού με βάση τα τεχνικά στοιχεία
- Εάν υπάρχει η υποψία ότι έχει κοπεί ρευματοφόρο καλώδιο, ο κόφτης καλωδίων πρέπει να ελεγχθεί από εξουσιοδοτημένο εξειδικευμένο συνεργείο

## Μαγκωμένες λεπίδες

Οι ακαθαρσίες και τα θραύσματα μπορεί να προκαλέσουν το μάγκωμα των λεπίδων μετά την κοπή

- Πατήστε και κρατήστε πατημένη τη σκανδάλη απελευθέρωσης, για να βεβαιωθείτε ότι έχει γίνει επαναφορά του εργαλείου.
- Αφαιρέστε το πακέτο συσσωρευτών.
- Ακολουθήστε την περιγραφή των εικόνων για το άνοιγμα των σιαγόνων κοπής
- Καθαρίστε τυχόν ακαθαρσίες και θραύσματα από τις λεπίδες, πριν ξεκινήσετε άλλη κοπή.

## Συμβουλές κοπής

- Μην επιχειρήσετε να εκτελέσετε λοξοτομές, καθώς θα προκληθούν ζημιές στο τεμάχιο προς επεξεργασία και τις λεπίδες.
- Κόβετε καθαρά υλικά, για να επιμηκύνετε τη διάρκεια ζωής των λεπίδων. Σκουπίστε τις ακαθαρσίες και τα θραύσματα από το υλικό και τις λεπίδες, πριν ξεκινήσετε την κοπή.

## ΣΥΝΤΗΡΗΣΗ

Πριν από κάθε εργασία στη μηχανή αφαιρείτε την ανταλλακτική μπαταρία.

Μην ανοίγετε ποτέ τον κόφτη καλωδίων, τον επαναφορτιζόμενο συσσωρευτή ή τη συσκευή φόρτισης.

Ελέγχετε τον κόφτη καλωδίων για ενδεχόμενα προβλήματα όπως θόρυβο ή μάγκωμα των κινούμενων μερών, τα οποία μπορεί να επηρεάσουν το εργαλείο.

Ελέγχετε τα εργαλεία κοπής για ρωγμές και άλλες ενδείξεις φθοράς.

Μόλις ολοκληρώσετε την εργασία, καθαρίστε και λιπάνετε τα

εργαλεία κοπής.

Ελέγχετε ότι οι ακμές κοπής είναι αιχμηρές και αντικαταστήστε τις φθαρμένες σιαγόνες κοπής.

Αντικαταστήστε τις λεπίδες, όταν παρουσιάσουν θραύσεις ή ζημιές. Αντικαθιστάτε πάντα τις λεπίδες ανά ζεύγη. Χρησιμοποιείτε αποκλειστικά λεπίδες MILWAUKEE.

Ελέγχετε ότι τα εργαλεία κοπής μπορούν να κινηθούν ελεύθερα.

Για να αποφύγετε τραυματισμούς και ζημιές, μη βυθίζετε ποτέ το εργαλείο, τον επαναφορτιζόμενο συσσωρευτή ή τη συσκευή φόρτισης σε υγρό και μην επιτρέπετε ποτέ να εισχωρήσει υγρό σε αυτά.

Διατηρείτε πάντοτε τις σχισμές εξερισμού της μηχανής καθαρές.

Η συσκευή περιέχει υδραυλικό λάδι που χρησιμοποιείται το οποίο αποτελεί κίνδυνο για τα υπόγεια ύδατα. Η ανεξέλεγκτη απόρριψη και η λανθασμένη διάθεση τιμωρούνται.

Κάθε έξι έως δώδεκα μήνες πρέπει να πραγματοποιείται συντήρηση στη συσκευή, ανάλογα με τη χρήση.

Μπορείτε να μάθετε περισσότερες πληροφορίες σχετικά με τα διαστήματα συντήρησης μέσω της εφαρμογής ONE-KEY.

Οι εργασίες συντήρησης και επισκευές επιτρέπεται να διεξάγονται μόνο από εξειδικευμένα συνεργεία.

Χρησιμοποιείτε μόνο αξεσουάρ Milwaukee και ανταλλακτικά Milwaukee. Εξαρτήματα, που η αλλαγή τους δεν περιγράφεται, αντικαθιστώνται σε μια τεχνική υποστήριξη της Milwaukee (βλέπε φυλλάδιο εγγύηση/ διευθύνσεις τεχνικής υποστήριξης).

Όταν χρειάζεται, μπορείτε να ζητήσετε ένα σχέδιο συναρμολόγησης της συσκευής, δίνοντας τον τύπο της μηχανής και αριθμό στην πινακίδα ισχύος, από το κέντρο σέρβις ή απευθείας από τη φίρμα Techtronic Industries GmbH, Max-Eyth-Straße 10, 71364 Winnenden, Germany.

## ONE-KEY™

Προκειμένου να μάθετε περισσότερα για τη λειτουργικότητα ONE-KEY του εν λόγω εργαλείου, διαβάστε τον επισυναπτόμενο οδηγό γρήγορης εκκίνησης ή επισκεφτείτε τη σελίδα μας στο Διαδίκτυο <http://www.milwaukeetool.com/one-key>.

Μπορείτε να κατεβάσετε την εφαρμογή ONE-KEY στο Smartphone σας από το App Store ή το Google Play.

Σε περίπτωση ηλεκτροστατικής εκκένωσης, η επικοινωνία Bluetooth διακόπτεται και πραγματοποιείται έξοδος από το περιβάλλον της εφαρμογής. Και θα διακοπεί η χρήση της εφαρμογής για 45 δευτερόλεπτα. Ύστερα από 45 δευτερόλεπτα πρέπει να γίνει επαναφορά της εφαρμογής για να αποκατασταθεί.» Θεωρούμε ότι το αποτέλεσμα βρίσκεται εντός του ελάχιστου αποδεκτού επιπέδου απόδοσης που θέτουμε σύμφωνα με τα πρότυπα EN 301489-1/ EN 301489-17. Και θα προσφέρουμε καθοδήγηση στον πελάτη σχετικά με τον τρόπο λειτουργίας σε μορφή ενχειρίδιου χρήσης.

## ΜΠΑΤΑΡΙΣ

Μια θερμοκρασία πάνω από 50°C μειώνει την ισχύ της ανταλλακτικής μπαταρίας. Αποφύγετε τη θέρμανση για μεγαλύτερο χρονικό διάστημα από τον ήλιο ή τις συσκευές θέρμανσης.

Διατηρείτε τις επαφές σύνδεσης στο φορτιστή και στην ανταλλακτική μπαταρία καθαρές.

Για μια άριστη διάρκεια ζωής πρέπει μετά τη χρήση οι μπαταρίες να φορτιστούν πλήρως. Επαναφορτίζετε τις ανταλλακτικές μπαταρίες που δεν έχουν χρησιμοποιηθεί για μεγαλύτερο χρονικό διάστημα πριν τη χρήση.

Για μια κατά το δυνατόν μεγάλη διάρκεια ζωής οι μπαταρίες μετά τη φόρτιση ορεΐλουν να αφαιρεθούν από το φορτιστή.

Για την αποθήκευση της μπαταρίας για διάστημα μεγαλύτερο των 30 ημερών, Αποθηκεύετε τη μπαταρία περ. στους 27°C σε στεγνό χώρο., Αποθηκεύετε τη μπαταρία περ. στο 30%-50% της κατάστασης φόρτισης., Κάθε 6 μήνες φορτίζετε εκ νέου τη μπαταρία.

Μην πετάτε τις μεταχειρισμένες ανταλλακτικές μπαταρίες στη φωτιά ή στα οικιακά απορρίμματα. Η Milwaukee προσφέρει μια απόσυρση των παλιών ανταλλακτικών μπαταριών σύμφωνα με τους κανόνες προστασίας του περιβάλλοντος, ρωτήστε παρακαλώ σχετικά στο ειδικό κατάστημα πώλησης.

Μην αποθηκεύετε τις ανταλλακτικές μπαταρίες μαζί με μεταλλικά αντικείμενα (κίνδυνος βραχυκυκλώματος).

Φορτίζετε τις ανταλλακτικές μπαταρίες του συστήματος M18 μόνο με φορτιστές του συστήματος M18. Μην φορτίζετε μπαταρίες από άλλα συστήματα.

#### ΜΕΤΑΦΟΡΑ ΤΩΝ ΜΠΑΤΑΡΙΩΝ ΙΟΝΤΩΝ ΛΙΘΙΟΥ

Οι μπαταρίες ιόντων λιθίου υπόκεινται στις απαιτήσεις των νομικών διατάξεων για την μεταφορά επικινδύνων εμπορευμάτων.

Η μεταφορά τέτοιων μπαταριών πρέπει να πραγματοποιείται τηρώντας τους τοπικούς, εθνικούς και διεθνείς κανονισμούς και τις αντίστοιχες διατάξεις.

Επιτρέπεται η μεταφορά τέτοιων μπαταριών στο δρόμο χωρίς περαιτέρω απαιτήσεις.

Η εμπορική μεταφορά μπαταριών ιόντων λιθίου από εταιρείες μεταφορών υπόκειται στις απαιτήσεις των νομικών διατάξεων για την μεταφορά επικινδύνων εμπορευμάτων. Οι προετοιμασίες αποστολής και η μεταφορά πραγματοποιούνται αποκλειστικά από ειδικά εκπαιδευμένα πρόσωπα. Η συνολική διαδικασία συνοδεύεται από εξειδικευμένο προσωπικό.

Κατά τη μεταφορά μπαταριών ιόντων λιθίου πρέπει να προσέχετε τα εξής:

Φροντίστε τα σημεία επαφών να είναι προστατευμένα και μονωμένα ώστε να αποφευχθούν βραχυκυκλώματα. Προσέξτε το πακέτο μπαταριών να είναι σταθερό μέσα στη συσκευασία και να μη γλιστρά. Η μεταφορά μπαταριών που παρουσιάζουν φθορές ή διαρροές δεν επιτρέπεται. Για περισσότερες πληροφορίες απευθυνθείτε στην εταιρεία μεταφορών.

#### ΔΗΛΩΣΗ ΠΙΣΤΟΤΗΤΑΣ ΕΚ

Δηλώνουμε με αποκλειστική μας ευθύνη, ότι το προϊόν που περιγράφεται στα «Τεχνικά Χαρακτηριστικά» συμμορφώνεται με όλες τις σχετικές διατάξεις των οδηγιών

2011/65/EE RoHS, 2006/42/ΕΚ, 2014/30/ΕΕ, 2014/53/ΕΥ και έχουν εφαρμοστεί τα ακόλουθα εναρμονισμένα πρότυπα

EN 62841-1:2015

EN 62479:2010

EN 60950-1:2006+A11:2009+A1:2010+A12:2011+AC:2011+A2:2013

EN 55014-1:2006+A1:2009+A2:2011

EN 55014-2:2015

EN 50581:2012

EN 301 489-1 V1.9.2 (2011-09)

EN 301 489-17 V2.2.1 (2012-09)

EN 300 328 V1.9.1 (2015-02)



Winnenden, 2017-05-03

Alexander Krug / Managing Director  
Εξουσιοδοτημένος να συντάξει τον τεχνικό φάκελο.  
Techtronic Industries GmbH  
Max-Eyth-Straße 10, 71364 Winnenden, Germany

#### ΣΥΜΒΟΛΑ



Παρακαλώ διαβάστε σχολαστικά τις οδηγίες χρήσης πριν από την έναρξη λειτουργίας.



ΠΡΟΕΙΔΟΠΟΙΗΣΗ!

Διαβάστε όλες τις υποδείξεις ασφαλείας και τις οδηγίες.



Στις εργασίες με τη μηχανή φοράτε πάντοτε προστατευτικά γυαλιά.



Κίνδυνος ηλεκτροπληξίας



ΠΡΟΣΟΧΗ! ΠΡΟΕΙΔΟΠΟΙΗΣΗ! ΚΙΝΔΥΝΟΣ!



Πριν από κάθε εργασία στη μηχανή αφαιρείτε την ανταλλακτική μπαταρία.



Διατηρείτε τα χέρια μακριά από το εργαλείο κοπής και άλλα κινούμενα εξαρτήματα. Ενέχει κίνδυνος εγκλωβισμού των δακτύλων στο μηχανισμό κοπής, με συνέπεια την αποκοπή ή τον τραυματισμό τους.



Εξαρτήματα - Δεν περιλαμβάνονται στα υλικά παράδοσης, συνιστούμε την προσθήκη από το πρόγραμμα εξαρτημάτων.



Ηλεκτρικά μηχανήματα δεν επιτρέπεται να απορρίπτονται μαζί με τα οικιακά απορρίμματα. Ηλεκτρικά και ηλεκτρονικά μηχανήματα συλλέγονται ξεχωριστά και παραδίδονται προς ανακύκλωση με τρόπο φιλικό προς το περιβάλλον σε επιχείρηση επεξεργασίας απορριμμάτων. Ενημερωθείτε από τις τοπικές υπηρεσίες ή από ειδικευμένους εμπόρους σχετικά με κέντρα ανακύκλωσης και συλλογής απορριμμάτων.



Σήμα συμμόρφωσης CE



UKRSEPRO σήμα πιστότητας.



EurAsian σήμα πιστότητας.



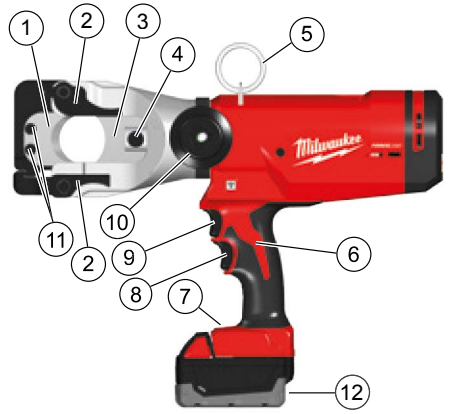
TEKNİK VERİLER	M18 HCC45
Boru kesici	
Üretim numarası	4587 00 01... ... 000001-999999
Kartuş akü gerilimi	18 V
Pres Kuvveti	77,8 kN
Kesim alanı Kablo tipine bağlıdır	Maks. Ø 44 mm
ACSR: Alüminyum-Çelik halat Bakır / Alüminyum	
Ağırlığı ise EPTA-üretici 01/2003'e göre (Li-Ion 2,0 Ah)	6,0 kg
<b>Gürültü bilgileri</b>	
Ölçüm değerleri EN 62841 e göre belirlenmektedir. Aletin, frekan- sa bağımlı uluslararası ses basıncı seviyesi değerlendirilme eğrisi A'ya göre tipik gürültü seviyesi:	
Ses basıncı seviyesi (Tolerans K=3dB(A))	76,9 dB(A)
Akustik kapasite seviyesi (Tolerans K=3dB(A))	87,9 dB(A)
<b>Koruyucu kulaklık kullanın!</b>	
<b>Vibrasyon bilgileri</b>	
Toplam titreşim değeri (üç yönün vektör toplamı) EN 62841'e göre belirlenmektedir:	
titreşim emisyon değeri <sub>a</sub>	1,2 m/s <sup>2</sup>
Tolerans K=	1,5 m/s <sup>2</sup>



**Tür**

### UYARI!

Bu talimatlarda belirtilen titreşim seviyesi, EN 62841 standardına uygun bir ölçme metodu ile ölçülmüştür ve elektrikli el aletleri birbiriyle karşılaştırmak için kullanılabilir. Ölçüm sonuçları ayrıca titreşim yükünün geçici değerlendirmesi için de uygundur. Belirtilen titreşim seviyesi, elektrikli el aletin genel uygulamaları için geçerlidir. Ancak elektrikli el aleti başka uygulamalar için, farklı eklenti parçalarıyla ya da yetersiz bakım koşullarında kullanılırsa, titreşim seviyesi farklılık gösterebilir. Bu durumda, titreşim yükü toplam çalışma zaman aralığı içerisinde belirgin ölçüde yükselebilir. Titreşim yükünün tam bir değerlendirmesi için ayrıca cihazın kapalı olduğu süreler ve cihazın çalışır durumda olduğu, ancak gerçek kullanımda bulunmadığı süreler de dikkate alınmalıdır. Böylelikle, toplam çalışma zamanı aralığı boyunca meydana gelen titreşim yükü belirgin ölçüde azaltılabilir. Kullanıcı titreşimlerin etkisinden korumak üzere, örneğin elektrikli el aletlerinin ve eklenti parçalarının bakımı, ellerin sıcak tutulması ve iş açışlarının organizasyonu gibi ek güvenlik tedbirleri belirleyiniz.



### Cihazın tanımı

- |                                       |                              |
|---------------------------------------|------------------------------|
| ① Ön bıçak                            | ⑦ LED                        |
| ② Kesici çene serbest bırakma kolları | ⑧ Tetik serbest bırakma      |
| ③ Arka bıçak                          | ⑨ Tetik                      |
| ④ Bıçak tutma pimi                    | ⑩ Ek el kulpu                |
| ⑤ Askı                                | ⑪ 5 mm altıgen soket vidalar |
| ⑥ Tutamak                             | ⑫ Akü                        |

**⚠ UYARI Cihazla birlikte gelen tüm güvenlik uyarılarını, talimatları, çizimleri ve bilgileri okuyun.** Açıklanan uyarılara ve talimat hükümlerine uyulmadığı takdirde elektrik çarpmalarına, yangınlara ve/veya ağır yaralanmalara neden olunabilir. **Bütün uyarıları ve talimat hükümlerini ilerde kullanmak üzere saklayın.**

### ⚠ BORU KESİCİ İÇİN GÜVENLİK BİLGİLERİ

Patlama, elektrik çarpması ve mal ve ekipmana hasar riskini düşürmek için asla gerilimli kabloları kesmeyin. Alet yalıtımlı DEĞİLDİR.

Elleri ve sarkan giysileri kesici aletlerden ve diğer hareketli parçalardan uzak tutun. Vücut azalarının kesilmesi dahil, ciddi yaralanma tehlikesi mevcuttur.

Koruyucu elbise ve tozlardan korunma maskesi, emniyet eldivenleri ve sağlam ve kaymaya mukavim ayakkabı giyin. Başlık ve kulaklık tavsiye edilir.

Koruma teçhizatı kullanın. Kablo kesiciyle çalışırken her zaman emniyet gözlüğü takın.

Kablo kesicinin kazayla çalışmasını önleyin. Çıkarılabilir bir pile bağlamadan önce tetiğin anahtar kilidiyle emniyete alındığından emin olun.

Kablo kesiciyi asla kesici çenelerden tutmayın.

Kullanmadan önce, kesici çeneleri çatlak ve diğer aşınma belirtileri yönünden mutlaka kontrol edin.

Kablo kesiciyi, çıkarılabilir pili ve şarj cihazını ancak teknik olarak kusursuz olmaları koşuluyla kullanın.

Hasarları derhal yetkili bir tamirhanede tamir ettirin.

Aletin kendinde bir çalışma yapmadan önce kartuş aküyü çıkarın.

**Türkçe**

Kablo kesici sadece bir kesici alet takılarak kullanılabilir. Kesim yapmadan önce bütün ayar aletlerini ve anahtarları çıkarın. Yaralanma ve hasarları önlemek için aleti, çıkarılabilir pili veya şarj cihazını asla bir sıvıya batırmayın, içlerine sıvı girmesine izin vermeyin.

Kablo kesiciyi iki elinizle tutun.

Kesme sırasında arıza oluşması halinde derhal tetiği serbest bırakın ve hidrolik resetleme (sıfırlama) düğmesine basın.

Valf açılır ve piston başlangıç konumuna geri hareket eder.

## KALAN TEHLİKELER

Kesme süreci başlamadan, erişim yerel düzenlemelere uygun olarak kapatılmış olması gerekir.

Sadece ve sadece güç kaynağıyla bağlantısı kesilmiş kabloları kesin. Borular ve hatlatlar mekanik kuvvete maruz bırakılmamalıdır.

Bu talimatın aksine hareket etmek elektrik çarpması, patlama ve/veya elektrik arkından kaynaklanacak ciddi yaralanmaya, ölüme, yangına ve diğer maddi hasarlara neden olabilir.

Koruyucu gözlük takınız.

## KULLANIM

Boru kesici, gerilimsiz boruların boru tipine bağlı olarak izole bakırdan ya da alüminyum, çelik takviyeli alüminyum iiletken (ACSR halat) veya çelik halattan ayrılması için tasarlanmıştır.

Boru ve hatlatların bu boru kesici yardımıyla kesilmesi veya ayrılması işlemleri sadece elektroteknik eğitilmiş bir kişi tarafından yapılmalıdır.

Bu kablo kesicinin operatörü cihazı ilk kez kullanmadan önce ve bundan en fazla bir yıl sonra bu kablo kesiciyi kullanmakla bağlantılı belirli tehlikeler ve temel güvenlik önlemleri konusunda eğitilmiş olmalıdır.

İşletme şirketi şunları yapması gerekir:

- Operatörün kullanma kılavuzuna erişebilmesini sağlamak
- ve okuyup anladığından emin olmak.

**UYARI Cihazla birlikte gelen tüm güvenlik uyarılarını, talimatları, çizimleri ve bilgileri okuyun.** Açıklanan uyarılara ve talimat hükümlerine uyulmadığı takdirde elektrik çarpmalarına, yangınlara ve/veya ağır yaralanmalara neden olunabilir. **Bütün uyarıları ve talimat hükümlerini ilerde kullanmak üzere saklayın.**

## UYGULAMA

### Çalışma alanının hazırlanması

Çalışmaya başlamadan önce boru ve hatlat gerilimsiz durumda olmalı ve çalışma süresince bu durum güvenceye alınmalıdır.

Kablo veya yalıtımlı devrenin bağlantısının kesildiği kuşkuya yer bırakmayacak şekilde belirlenemezse, hiçbir iş yapılamaz.

Yerel güvenlik yönetmeliklerine ve düzenlemelere riayet edilmelidir.

Borular ve hatlatlar mekanik kuvvete maruz bırakılmamalı ve gerekirse kesildikten sonra kontrolsüz hareketlere karşı güvenceye alınmalıdır.

Aletleri yağmur altında bırakmayın. Aletleri nemli veya ıslak yerlerde kullanmayın.

### Kablo kesici ve pilin hazırlanması

Her kullanımdan önce:

- Kablo kesiciyi dış hasar yönünden kontrol edin
- Kablo kesiciyi çatlak ve diğer aşınma belirtileri yönünden kontrol edin

Sadece mükemmel durumda kullanın!

Kesme işlemi başlamadan önce, pil kapasitesi kontrol edilmelidir: asgari %33 (bakınız resimli açıklama).

İş başlamadan önce şarj gerektirebilir.

### Kesme sürecine hazırlanma

Kontrolsüz hareket riskini en aza indirmek için kesilecek boru veya halatı destekleyin ve sabitleyin.

Özellikle havai boru ve hatlatlar kontrolsüz hareket edebilir ve yaralanma ve/veya hasara neden olabilir.

Kesme kafası, açık pafta lokmasına gerilimsiz yerleştirilmeleri ve uygunsuz biçime kuvvetine neden olmamaları için boru veya hatlatlara 90° açılı olmalıdır.

**UYARI: Patlama, elektrik çarpması ve mal ve ekipman hasar riskini düşürmek için asla gerilimli kabloları kesmeyin.**

**Alet yalıtımlı DEĞİLDİR. Gerilimli bir devreyi kesmek ciddi yaralanmaya ya da ölüme yol açabilir. Kesim yapmadan önce gücü kesin. Asla gaz veya su hatlarını kesmeyin. Ellerinizi bütün kesici uçlardan ve hareketli aksamdan uzak tutun. Kesik ya da ampütasyon oluşabilir.**

**Aksesuar değiştirir ya da çıkarırken her zaman pil takımını çıkarın. Sadece bu alet için özellikle tavsiye edilen aksesuarları kullanın. Farklı aksesuarlar tehlikeli olabilir. Yaralanma riskini azaltmak için emniyet gözlüğü veya yan korumalı gözlük kullanın.**

**UYARI: Yaralanma riskini azaltmak için, sadece bıçaklar için tavsiye edilen malzemeleri kesin. (bkz. „Teknik Özellikler“) Başka malzeme kesmeye çalışmayın.**

### Kesme

- Kesmeden önce, bıçakların doğru takıldığından emin olun.

1. Boruyu, boru kesicisinin kesici kenarlarına dik açıyla yönlendirin. İşlenecek parçaya ve bıçaklara hasar vereceğinden, açılı kesimler yapmaya çalışmayın.

2. Tutamağı/tutamakları sıkıca kavrayın. Tetiği çekin ve operasyon sırasında çekili tutun. Tetik çekildiğinde bir LED ışık yanacaktır.

Kesme işlemi tamamlandığında veya alet kapatıldığında, tetiği serbest bırakın ve pafta lokmalarının açılması için sıfırlama anahtarına basın.

*Not: İşlenecek parça kesme işlemi sırasında hafifçe hareket edebilir.*

### Arıza durumunda yapılacaklar

- Kablo kesik ve gerilimli olabilir; bu durumda daima güvenlik görevlisini bilgilendirin, kesme işlemini iptal edin ve uygun güvenlik önlemlerini uygulayın
- Alete yaklaşıp dokunmadan önce aletin güç kaynağıyla bağlantısı mutlaka kesilmiş olmalı ve kesilmiş kalmalıdır
- Sıfırlama (resetleme) düğmesine basın ve kesici tamamıyla açılana kadar basılı tutun



- Pil kapasitesini kontrol edin
- Malzeme ve malzeme kalınlığını teknik verilerle karşılaştırarak kontrol edin
- Gerilimli bir kablondan kesildiğinden kuşku duyulması halinde, kablo kesicinin yetkili bir uzman atölyede kontrol edilmesi gerekir

### Bıçakların Sıkışması

Pislik ve döküntüler kesim işleminden sonra bıçakların sıkışmasında neden olabilir

- Aletin sıfırlanmış olduğundan emin olmak için serbest bırakma tetiğine basıp basılı tutun.
- Pil paketini çıkarın.
- Pafta lokmalarını açmak için resimli açıklamaya riayet edin
- Yeni bir kesme işleminde başlamadan önce, bıçaklardaki kir ve döküntüleri temizleyin.

### Kesme Tavsiyeleri

- İşlenecek parçaya ve bıçaklara hasar vereceğinden, açılı kesimler yapmaya çalışmayın.
- Bıçak ömrünü uzatmak için temiz malzeme kesin. Kesmeye başlamadan önce malzeme ve bıçakların üzerindeki kir ve döküntüleri silin.

### BAKIM

Aletin kendinde bir çalışma yapmadan önce kartuş aküyü çıkarın.

Kablo kesiciyi, çıkarılabilir pili ya da şarj cihazını asla açmayın.

Kablo kesiciyi gürlü veya hareketli aksamda aleti etkileyebilecek sıkışmalar gibi sorunlar yönünden kontrol edin.

Kesme aletlerinin çatlak ve diğer aşınma belirtileri yönünden kontrol edin.

İş tamamlanınca kesme aletlerini temizleyip gresleyin.

Kesme uçlarının keskin olup olmadığını kontrol edin, aşınmış kesici çeneleri değiştirin.

Ağızları bozulmuş ya da hasarlı bıçakları değiştirin. Bıçakları hep takım olarak değiştirin. Sadece MILWAUKEE bıçaklarını kullanın.

Kesme aletlerinin serbestçe hareket edebildiklerinden emin olun.

Yaralanma ve hasarları önlemek için aleti, çıkarılabilir pili veya şarj cihazını asla bir sıvıya batırmayın, içlerine sıvı girmesine izin vermeyin.

Aletin havalandırma aralıklarını daima temiz tutun.

Cihaz, yeraltı suları için bir tehlike oluşturan hidrolik yağ içermektedir. Kontrolsüz olarak boşaltılması veya usulüne uygun olmayacak şekilde imha edilmesi cezalandırılır.

Kullanıma bağlı olarak cihazın her altı ya da on iki ayda bir bakım görmesi gerekir.

Bakım aralıkları hakkında daha fazla bilgiyi ONE-KEY uygulaması üzerinden bulabilirsiniz.

Bakım ve tamir işleri sadece yetkili tamirhaneler tarafından yapılabilir.

Sadece Milwaukee aksesuarı ve yedek parçası kullanın. Nasıl değiştirileceği açıklanmamış olan yapı parçalarını bir Milwaukee müşteri servisinde değiştirin (Garanti ve servis adresi broşürüne dikkat edin).

Gerektiği takdirde aletin dağınkı görünüş şeması, alet tipinin ve tip etiketi üzerindeki sayının bildirilmesi koşuluyla müşteri servisinden veya doğrudan Techtronic Industries GmbH, Max-Eyth-Str. 10, 71364 Winnenden, Germany adresinden istenebilir.

### ONE-KEY™

ONE-KEY işlevi hakkında daha fazla bilgi edinmek için ekteki Hızlı Başlangıç Kılavuzunu okuyun ya da <http://www.milwaukeeetool.com/one-key> internet adresimizi ziyaret edin.

ONE-KEY uygulamasını App Store ya da Google Play aracılığıyla akıllı telefonunuza indirebilirsiniz.

Elektrostatik boşalma yaşadığınızda Bluetooth iletişimi kesilir ve Uygulama arayüzünden çıkılır. Ve uygulama 45 saniye boyunca kullanılmaz. 45 saniyenin sonunda kurtarılması için uygulamanın sıfırlanması gerekir. Sonuçun, EN 301489-1/ EN 301489-17 uyarınca kabul edilebilir minimum performans düzeyi dahilinde olduğunu değerlendirdik. İşletim kılavuzunu kullanma kılavuzuyla birlikte müşteriye sunacağız.

### AKÜ

50°C üzerindeki sıcaklıklar kartuş akünün performansını düşürür. Akünün güneş ışığı veya mekân sıcaklığı altında uzun süre ısınmamasına dikkat edin.

Şarj cihazı ve kartuş aküdeki bağlantı kontaklarını temiz tutun.

Akünün ömrünün mükemmel bir şekilde uzun olması için kullandıktan sonra tamamen doldurulması gerekir. Uzun süre kullanım dışı kalmış kartuş aküleri kullanmadan önce şarj edin.

Ömrünün mümkün olduğu kadar uzun olması için akülerin yüklemeye yapıldıktan sonra doldurma cihazından uzaklaştırılması gerekir.

Akünün 30 günden daha fazla depolanması halinde, Aküyü yaklaşık 27°C'de kuru olarak depolayın., Aküyü yüklemeye durumunun yaklaşık % 30 - %50 olarak depolayın., Aküyü her 6 ay yeniden doldurun.

Kullanılmış kartuş aküleri ateşe veya ev çöplerine atmayın. Milwaukee, kartuş akülerin çevreye zarar vermeyecek biçimde tasfiye edilmesine olanak sağlamak hizmet sunar; lütfen bu konuda yetkili satıcımızdan bilgi alın.

Kartuş aküleri metal parça veya eşyalarla birlikte saklamayın (kısa devre tehlikesi).

M18 sistemli kartuş aküleri sadece M18 sistemli şarj cihazları ile şarj edin. Başka sistemli aküleri şarj etmeyin.

### LITYUM İYON PİLLERİN TAŞINMASI

Lityum iyon piller tehlikeli madde taşımacılığı hakkındaki yasal hükümler tabidir.

Bu piller, bölgesel, ulusal ve uluslararası yönetmeliklere ve hükümlere uyularak taşınmak zorundadır.

Tüketiciler bu pilleri herhangi bir özel şart aranmaksızın karayoluyla taşıyabilirler.

Lityum iyon pillerin nakliye şirketleri tarafından ticari taşımacılığı için tehlikeli madde taşımacılığının hükümleri geçerlidir. Sevk hazırlığı ve taşıma sadece ilgili eğitimi görmüş personel tarafından gerçekleştirilebilir. Bütün süreç uzmanca bir refakatçilik altında gerçekleştirilmelidir.

Pillerin taşınması sırasında aşağıdaki hususlara dikkat edilmesi gerekmektedir:

Kısa devre oluşmasını önlemek için kontakların korunmuş ve izole edilmiş olmasını sağlayınız. Pil paketinin ambalajı içinde kaymamasına dikkat ediniz. Hasarlı veya akmış pillerin taşınması yasaktır. Ayrıca bilgiler için nakliye şirketinize başvurunuz.

## CE UYGUNLUK BEYANI

"Teknik veriler" başlığı altında tanımlanan ürünün, sayılı direktiflerdeki tüm hükümleri

2011/65/EU RoHS, 2006/42/EC, 2014/30/EU, 2014/53/EU uyumlaştırılmış standartları

EN 62841-1:2015

EN 62479:2010

EN 60950-1:2006+A11:2009+A1:2010+A12:2011+AC:2011+A2:2013

EN 55014-1:2006+A1:2009+A2:2011

EN 55014-2:2015

EN 50581:2012

EN 301 489-1 V1.9.2 (2011-09)

EN 301 489-17 V2.2.1 (2012-09)

EN 300 328 V1.9.1 (2015-02)



Winnenden, 2017-05-03

Alexander Krug / Managing Director  
Teknik evrakları hazırlamakla görevlendirilmiştir.

Techtronic Industries GmbH  
Max-Eyth-Straße 10, 71364 Winnenden, Germany

## SEMBOLLER



Lütfen aleti çalıştırmadan önce kullanma kılavuzunu dikkatli biçimde okuyun.



UYARI!  
İş parçalarının savrulması



Aletle çalışırken daima koruyucu gözlük kullanın.



Elektrik çarpması tehlikesi



DİKKAT! UYARI! TEHLİKE!



Aletin kendinde bir çalışma yapmadan önce kartuş aküyü çıkarın.



Elleri kesici aletten ve diğer hareketli parçalardan uzak tutun. Parmaklar kesme mekanizmasına yakalanarak kopabilir ya da yaralanabilir.



Aksesuar - Teslimat kapsamında değildir, önerilen tamamamlar aksesuar programında.



Elektrikli cihazların evsel atıklarla birlikte bertaraf edilmesi yasaktır. Elektrikli ve elektronik cihazlar ayrılarak biriktirilmeli ve çevreye zarar vermeden bertaraf edilmeleri için bir atık değerlendirme tesisine götürülmelidirler. Yerel makamlara veya satıcınıza geri dönüşüm tesisleri ve atık toplama merkezlerinin yerlerini danışınız.



CE işareti



UkrSEPRO Uyumluluk işareti



EurAsian Uyumluluk işareti



TECHNICKÁ DATA	M18 HCC45
<b>Řezačka kabelů</b>	
Výrobní číslo	4587 00 01... ... 000001-999999
Napětí výměnného akumulátoru	18 V
Jmenovitá síla	77,8 kN
Oblast řezu Závisí na typu kabelu	max. Ø 44 mm
ACSR: Hliník / Ocelová lana Měď / Hliník	
Hmotnost podle prováděcího předpisu EPTA 01/2003 (Li-Ion 2,0 Ah)	6,0 kg
<b>Informace o hluku</b>	
Naměřené hodnoty odpovídají EN 62841. V třídě A posuzovaná hladina hluku přístroje činí typicky:	
Hladina akustického tlaku (Kolísavost K=3dB(A))	76,9 dB(A)
Hladina akustického výkonu (Kolísavost K=3dB(A))	87,9 dB(A)
<b>Používejte chrániče sluchu!</b>	
<b>Informace o vibracích</b>	
Celkové hodnoty vibrací (vektorový součet tří směrů) zjištěné ve smyslu EN 62841.	
Hodnota vibračních emisí <sub>h</sub>	1,2 m/s <sup>2</sup>
Kolísavost K=	1,5 m/s <sup>2</sup>



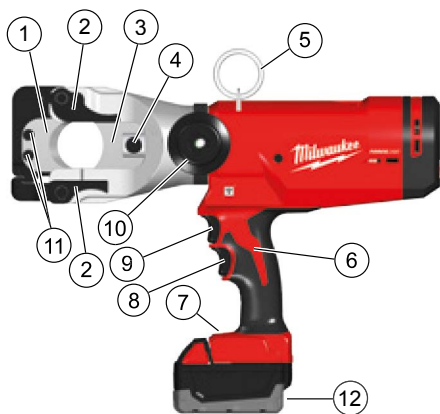
## VAROVÁNÍ!

Úroveň chvění uvedená v tomto návodu byla naměřena podle metody měření stanovené normou EN 62841 a může být použita pro porovnání elektrického nářadí. Hodí se také pro průběžný odhad zatížení chvěním.

Uvedená úroveň chvění představuje hlavní účely použití elektrického nářadí. Jestliže se ale elektrické nářadí používá pro jiné účely, s odlišnými nástroji nebo s nedostatečnou údržbou, může se úroveň chvění odlišovat. To může značně zvýšit zatížení chvěním během celé pracovní doby.

Pro přesný odhad zatížení chvěním se musí také zohlednit čas, během kterých je přístroj vypnutý nebo kdy je síce v chodu, ale skutečně se s ním nepracuje. To může zatížení chvěním během celé pracovní doby značně snížit.

Stanovte doplňková bezpečnostní opatření pro ochranu obsluhy před účinky chvění jako například: technická údržba elektrického nářadí a nástrojů, udržování teploty rukou, organizace pracovních procesů.



## Popis zařízení

- |                            |                                      |
|----------------------------|--------------------------------------|
| ① Přední rukojeť           | ⑦ LED kontrolka                      |
| ② Páky na uvolnění čelisti | ⑧ Uvolňovací spoušť                  |
| ③ Zadní rukojeť            | ⑨ Spoušť                             |
| ④ Zadržný kolík čepele     | ⑩ Přídavná rukojeť                   |
| ⑤ Háček                    | ⑪ 5 mm šrouby s vnitřním šestihranem |
| ⑥ Rukojeť                  | ⑫ Akumulátor                         |

**VAROVÁNÍ** Přečtěte si všechny bezpečnostní pokyny, instrukce, popisy a údaje, které obdržíte s přístrojem. Zanedbání při dodržování varovných upozornění a pokynů mohou mít za následek úder elektrickým proudem, požár a ebo těžká poranění. **Všechna varovná upozornění a pokyny do budoucna uschvejte.**

## BEZPEČNOSTNÍ POKYNY PRO ŘEZAČKU KABELŮ

Abyste snížili nebezpečí výbuchu, zasažení elektrickým proudem a poškození majetku a vybavení, neřežte nikdy elektrické kabely pod napětím. Nástroj NENÍ izolovaný.

Ruce a volné oblečení mějte v dostatečné vzdálenosti od řezacích nástrojů a jiných pohyblivých dílů. Hrozí nebezpečí těžkého zranění, včetně amputace končetin.

Doporučujeme rovněž použití součástí ochranného oděvu a ochranné obuvi, jako protiprašné masky, ochranných rukavic, pevné a neklouzající obuvi, ochranné přilby a ochrany sluchu.

Použijte ochranné vybavení. Při práci s řezačkou kabelů vždy používejte bezpečnostní brýle.

Zabraňte náhodnému spuštění řezačky kabelů. Než připojíte vyjímatelnou baterii, přesvědčte se, že je spoušť zajištěna pojistkou spínače.

Nikdy nedržte řezačku kabelů za řezací čelisti.

Před použitím vždy zkontrolujte praskliny a další známky opotřebení řezacích čelistí.

Řezačku kabelů, vyjímatelnou baterii a nabíječku používejte, jen když jsou v perfektním technickém stavu.

Poškození nechte okamžitě opravit v autorizované speciální dílně.

Před zahájením veškerých prací na vrtacím šroubováku vyjmout výměnný akumulátor.

Řezačka kabelů se smí používat jen s vloženým řezacím nástrojem. Než provedete řez, odstraňte všechny nastavovací nástroje a klíče. Aby nedošlo ke zranění nebo poškození, neponořujte nikdy nástroj, vyjímatelnou baterii nebo nabíječku do kapaliny a nedovolte, aby do nich nějaká kapalina vnikla.

Řezačku kabelů držte za obě rukojeti.

V případě závady během řezacího procesu uvolněte okamžitě spoušť a stiskněte tlačítko hydraulického resetu.

Ventil se otevře a píst přejde zpět do výchozí polohy.

## ZBÝVAJÍCÍ RIZIKA

Před začátkem řezacího procesu je nutné uzavřít přístup podle místních předpisů.

Kabely řežte pouze tehdy, když jsou odpojené od elektrického napájení.

Kabely a lana nesmí být vystaveny mechanickým silám.

Nedodržení tohoto pokynu může vést k těžkému zranění, usmrcení, požáru a ke hmotným škodám v důsledku zasažení elektrickým proudem, výbuchu a/nebo elektrického oblouku.

Noste ochranné brýle.

## OBLAST VYUŽITÍ

Řezačka kabelů je vhodná na dělení beznapěťových kabelů z izolované mědi nebo hliníku, ACSR lan (lana hliník/ocel), ocelových lan, vždy v závislosti na typu kabelu.

Řezání nebo dělení kabelů a lan pomocí této řezačky kabelů smí provádět pouze elektrotechnicky vyškolená osoba.

Obsluha této řezačky kabelů musí být před začátkem první práce s ní pak přinejmenším jednou za rok poučená o konkrétních nebezpečích spojených s použitím této řezačky kabelů a o základních bezpečnostních opatřeních.

Provozní podnik musí:

- poskytnout obsluze návod k použití a
- zajistit, aby si ho obsluha přečetla a pochopila.

**VAROVÁNÍ** Přečtěte si všechny bezpečnostní pokyny, instrukce, popisy a údaje, které obdržíte s přístrojem. Zanedbání při dodržování varovných upozornění a pokynů mohou mít za následek úder elektrickým proudem, požár a ebo těžká poranění. **Všechna varovná upozornění a pokyny do budoucna uschovejte.**

## POUŽITÍ

### Příprava pracovního prostoru

Před započetím práce musí být zajištěn beznapěťový stav vodičů nebo lan a musí být zaručen po celou dobu trvání prací.

Pokud nelze nade vši pochybnost zaručit, že je kabel nebo izolované vedení odpojené, nesmí se provádět žádná práce.

Je bezpodmínečně nutné dodržovat místní bezpečnostní předpisy a nařízení.

Kabely a lana nesmějí být vystaveny mechanickým silám a popřípadě musí být zabezpečeny proti nekontrolovaným pohybům po provedení řezu.

Přístroj nevystavujte dešti a nepoužívejte v mokřem či vlhkém prostředí.

### Příprava řezačky kabelů a baterie

Před každým použitím:

- Zkontrolujte, jestli řezačka kabelů nemá žádné vnější závady
- Zkontrolujte praskliny a další známky opotřebeného řezacího nástroje

Používejte jen v perfektním stavu!

Před začátkem řezacího procesu je nutné zkontrolovat kapacitu baterie: minimálně 33 % (viz ilustrovaný popis).

Před zahájením prací může být zapotřebí nabít.

### Příprava na řezací proces

Podepřete a upevněte kabel nebo lano, které chcete řezat, aby se minimalizovalo riziko nekontrolovaného pohybu.

Zejména nadzemní vedení a lana se mohou pohybovat nekontrolovaně a způsobit zranění a / nebo poškození.

Řezná hlava musí být umístěna v úhlu 90° ke kabelu nebo lanu tak, aby se bez napětí usadil/o v otevřených závitových čelistech a zabránilo se tak nepříznivým stříhovým silám.

**VAROVÁNÍ:** Aby se snížilo nebezpečí výbuchu, zasažení elektrickým proudem a poškození majetku a vybavení, **neřežte nikdy elektrické kabely pod napětím.**

**Nástroj NENÍ izolovaný. Dotyk s obvodem pod napětím může vést k těžkému zranění nebo usmrcení. Než provedete řezání, odpojte elektrické napájení. Nikdy neřežte plynové nebo vodní trubky. Nesahejte rukama do blízkosti žádných řezacích břitů a pohyblivých částí. Může dojít k potrhání a amputaci.**

**Před výměnou nebo odstraněním příslušenství vždy vyjměte sadu baterií. Používejte jen příslušenství výslovně doporučené pro tento nástroj. Jiné může být nebezpečné.**

**Aby se snížilo nebezpečí zranění, používejte bezpečnostní brýle nebo brýle s bočními štítky.**

**VAROVÁNÍ:** Aby se snížilo nebezpečí zranění, **řežte jen materiály doporučené pro nože. (viz „Specifikace“)** **Nepokoušejte se řezat jiné materiály.**

### Řezání

• Než začnete řezat, ujistěte se, že jsou nože správně namontované.

1. Kabel ved'te v pravém úhlu k řezání řezačky kabelů. Nepokoušejte se provádět úhlové řezy, protože by se tím poškodily zpracovávány díl a nože.

2. Pevně uchopte rukojeť/rukojeti.

Během práce táhněte za spoušť a držte ji.

Když zatáhnete za spoušť, rozsvítí se LED kontrolka.

Když je řez proveden nebo se nástroj vypne, uvolněte znovu spouštěč a stiskněte resetovací tlačítko, aby se otevřely závitové čelisti.

*Poznámka: Zpracovávány díl se může během řezu lehce pohybovat.*

### Postup v případě závady

- Kabel může být nařiznutý a být pod napětím, vždy informujte bezpečnostního technika, přerušte proces řezání, učiňte vhodná bezpečnostní opatření
- Než se přiblížíte k zařízení a dotknete se ho, vždy se přesvědčte, že je zařízení odpojené od elektrického napájení a také tak zůstane





- stiskněte a přidržte tlačítko resetu, dokud se řezačka úplně neotevře
- zkontrolujte kapacitu baterie
- zkontrolujte materiál a tloušťku materiálu podle technických údajů
- Při podezření na říznutí do kabelu pod napětím musíte nechat zkontrolovat řezačku kabelů v autorizovaném specializovaném servisu

### Zaseknuté nože

Špína a nečistoty mohou způsobit zaseknutí nožů po řezání

- Stiskněte a přidržte uvolňovací spoušť, aby proběhl reset nástroje.
- Vyjměte sadu baterií.
- Postupujte podle popisu obrázku pro otevření závitových čelistí
- Než začnete další řez, očistěte z nožů veškerou špínu a nečistoty.

### Tipy pro řezání

- Nepokoušejte se provádět úhlové řezy, protože by se tím poškodily zpracovávaný díl a nože.
- Řežte čistou materiál, aby se prodloužila životnost nožů. Než začnete řezat, otřete špínu a nečistoty z materiálu a nožů.



### ÚDRŽBA

Před zahájením veškerých prací na vrtacím šroubováků vymnout výměnný akumulátor.

Nikdy neotevírejte řezačku kabelů, vyjímatelnou baterii nebo nabíječku.

Zkontrolujte řezačku kabelů s ohledem na případné problémy, např. hluk nebo zaseknutí pohyblivých částí, které by mohly mít negativní vliv na nástroj.

Zkontrolujte praskliny a další známky opotřebení řezacích nástrojů.

Po dokončení prací vyčistěte a namažte řezací nástroje.

Zkontrolujte, jestli jsou břity ostré, a vyměňte opotřebované řezací čelisti.

Když se odštípnou nebo jinak poškodí nože, vyměňte je. Nože vždy vyměňujte jako sadu. Používejte jen nože MILWAUKEE.

Zkontrolujte, jestli se řezací nástroje mohou volně pohybovat.

Aby nedošlo ke zranění nebo poškození, neponořujte nikdy nástroj, vyjímatelnou baterii nebo nabíječku do kapaliny a nedovolte, aby do nich nějaká kapalina vnikla.

Větrací štěrbinu nářadí udržujeme stále čisté.

Přístroj obsahuje hydraulický olej, který představuje nebezpečí pro podzemní vodu. Jeho nekontrolované vypouštění nebo neodborná likvidace jsou trestné.

Na zařízení se musí každý šest až dvanáct měsíců, v závislosti na používání, provádět servis.

Více informací o servisních intervalech si můžete vyhledat pomocí aplikace ONE-KEY.

Údržbářské a opravárenské práce smějí vykonávat jen autorizované specializované dílny.

Používat výhradně příslušenství Milwaukee a náhradní díly Milwaukee. Díly jejichž výměny nebyla popsána, nechte vyměnit v autorizovaném servisu (viz." Záruky / Seznam servisních míst)

Při potřebě podrobného rozkresu konstrukce, oslovte informaci o typu a čísle přímo servis a nebo výrobce, Techtronic Industries GmbH, Max-Eyth-Straße 10, 71364 Winnenden, Germany.

### ONE-KEY™

Abyste se dozvěděli víc o funkci ONE-KEY tohoto nástroje, přečtěte si příložený návod pro rychlé zahájení práce nebo nás navštivte na internetu na <http://www.milwaukeeool.com/one-key>

Aplikaci ONE-KEY si můžete stáhnout na Váš smartphone z App Store nebo Google Play.

Když dojde k elektrostatickému výboji, komunikace Bluetooth bude odpojena a rozhraní aplikace se ukončí. Žádné použití aplikace v rozmezí 45 sekund. Po 45 sekundách je pro obnovení nutné aplikaci resetovat." Brali jsme v úvahu výsledek, který má být v rámci naší minimální přijatelné úrovně výkonosti dle EN 301489-1 / EN 301489-17. A zákazníkovi dáme provozní pokyny v uživatelské příručce.

### AKUMULÁTORY

Teplota přes 50°C snižuje výkon akumulátoru. Chraňte před dlouhým přehříváním na slunci či u topení.

Kontakty nabíječky a akumulátoru udržujte v čistotě.

Pro optimální životnost je nutné akumulátory po použití plně dobít. Déle nepoužívané akumulátory je nutné před použitím znovu nabít.

K zabezpečení dlouhé životnosti by se akumulátory měly po nabití vyjmout z nabíječky.

Při skladování akumulátoru po dobu delší než 30 dní: Skladujte akumulátor v suchu při cca 27°C. Skladujte akumulátor při cca 30%-50% nabíjecí kapacity., Opakujte nabíjení akumulátoru každých 6 měsíců.

Použitě nevyhazujte do domovního odpadu nebo do ohně. Milwaukee nabízí ekologickou likvidaci starých článků, ptejte se u vašeho obchodníka s nářadím.

Náhradní akumulátor neskladujte s kovovými předměty, nebezpečí zkratu.

Akumulátor systému M18 nabíjejte pouze nabíječkou systému M18. Nenabíjejte akumulátory jiných systémů.

### PŘEPRAVA LITHIUM-IONTOVÝCH BATERIÍ

Lithium-iontové baterie spadají podle zákonných ustanovení pod přepravu nebezpečného nákladu.

Přeprava těchto baterií se musí realizovat s dodržováním lokálních, vnitrostátních a mezinárodních předpisů a ustanovení.

Spotřebitelé mohou tyto baterie bez problémů přepravovat po komunikacích.

Komerční přeprava lithium-iontových baterií prostřednictvím přepravních firem podléhá ustanovením o přepravě nebezpečného nákladu. Přípravu k vyexpedování a samotnou přepravu smějí vykonávat jen příslušně vyškolené osoby. Na celý proces se musí odborně dohlížet.

Při přepravě baterií je třeba dodržovat následující:

Zajistěte, aby kontakty byly chráněné a izolované, aby se zamezilo zkratům. Dávejte pozor na to, aby se svazek baterií v rámci balení nemohl sesmeknout. Poškozené a vyteklé baterie se nesmějí přepravovat. Ohledně dalších informací se obraťte na vaši přepravní firmu.

## CE-PROHLÁŠENÍ O SHODĚ

Prohlašujeme na naši výhradní odpovědnost, že produkt popsán v části „Technické údaje“ splňuje všechna příslušná ustanovení směrnice

2011/65/EU RoHS, 2006/42/ES, 2014/30/EU, 2014/53/EU a byly použity následující harmonizované normy

EN 62841-1:2015

EN 62479:2010

EN 60950-1:2006+A11:2009+A1:2010+A12:2011+AC:2011+A2:2013

EN 55014-1:2006+A1:2009+A2:2011

EN 55014-2:2015

EN 50581:2012

EN 301 489-1 V1.9.2 (2011-09)

EN 301 489-17 V2.2.1 (2012-09)

EN 300 328 V1.9.1 (2015-02)



Winnenden, 2017-05-03

Alexander Krug / Managing Director

Zplnomocněn k sestavování technických podkladů.

Techtronic Industries GmbH

Max-Eyth-Straße 10, 71364 Winnenden, Germany

## SYMBOLY



Před spuštěním stroje si pečlivě přečtěte návod k používání.



**VAROVÁNÍ!**  
Nebezpečí poranění odletujícími úlomky.



Při práci se strojem neustále nosit ochranné brýle.



Nebezpečí úrazu elektrickým proudem



**POZOR! VAROVÁN! NEBEZPEČÍ!**



Před zahájením veškerých prací na vrtacím šroubováků vyjmout výměnný akumulátor.



Ruce mějte v dostatečné vzdálenosti od řezacího nástroje a jiných pohyblivých dílů. Prsty se mohou dostat do řezacího mechanismu a může dojít k jejich poranění nebo uříznutí.



Příslušenství není součástí dodávky, viz program příslušenství.



Elektrické přístroje se nesmí likvidovat společně s odpadem z domácností. Elektrické a elektronické přístroje je třeba sbírat odděleně a odevzdat je v recyklačním podniku na ekologickou likvidaci. Na místních úřadech nebo u vašeho specializovaného prodejce se informujte na recyklační podniky a sběrné dvory.



Značka CE



UkrSEPRO značka shody



Euroasijská značka shody



TECHNICKÉ ÚDAJE	M18 HCC45
<b>Strihač káblov</b>	
Výrobné číslo	4587 00 01... ... 000001-999999
Napätie výmenného akumulátora	18 V
Moč stiskania	77,8 kN
Rezný rozsah Závisí od typu kábla	max. Ø 44 mm
ACSR: Hliník-/Jeklena pletenica Meď / Hliník	
Hmotnosť podľa vykonávacieho predpisu EPTA 01/2003 (Li-Ion 2,0 Ah)	6,0 kg
<b>Informácia o hluku</b>	
Namerané hodnoty určené v súlade s EN 62841. V triede A posudzovaná hladina hluku prístroja číni typicky:	
Hladina akustického tlaku (Kolísavosť K=3dB(A))	76,9 dB(A)
Hladina akustického výkonu (Kolísavosť K=3dB(A))	87,9 dB(A)
<b>Používajte ochranu sluchu!</b>	
<b>Informácie o vibráciách</b>	
Celkové hodnoty vibrácií (vektorový súčet troch smerov) zistených zmysle EN 62841.	
Hodnota vibračných emisií <sub>h</sub>	1,2 m/s <sup>2</sup>
Kolísavosť K=	1,5 m/s <sup>2</sup>



**Slov**

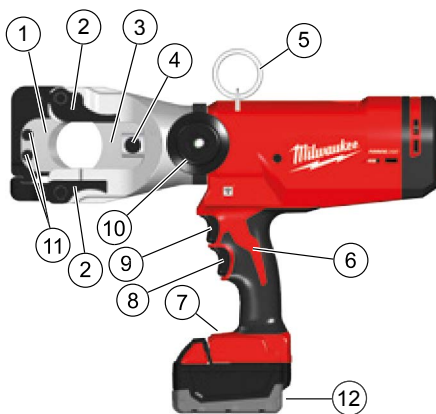
### POZOR!

Úroveň vibrácií uvedená v týchto pokynoch bola nameraná meracou metódou, ktorú stanovuje norma EN 62841 a je možné ju použiť na vzájomné porovnanie elektrického náradia. Hodí sa aj na predbežné posúdenie kmitavého namáhania.

Uvedená úroveň vibrácií reprezentuje hlavné aplikácie elektrického náradia. Ak sa však elektrické náradie používa pre iné aplikácie, s odlišnými vloženími nástrojmi alebo s nedostatočnou údržbou, môže sa úroveň vibrácií líšiť. Toto môže kmitavé namáhanie v priebehu celej pracovnej doby podstatne zvýšiť.

Pre presný odhad kmitavého namáhania by sa mali tiež zohľadniť doby, v ktorých je náradie vypnuté alebo je síce v chode, ale v skutočnosti sa nepoužíva. Toto môže kmitavé namáhanie v priebehu celej pracovnej doby zreteľne redukovať.

Stanovte dodatočné bezpečnostné opatrenia pre ochranu obsluhy pred účinkami vibrácií, ako napríklad: údržba elektrického náradia a vložených nástrojov, udržiavanie teploty rúk, organizácia pracovných postupov.



### Opis zariadenia

- |                                     |                      |
|-------------------------------------|----------------------|
| ① Sprednje rezilo                   | ⑦ LED                |
| ② Ročice za aktiviranje<br>čeljusti | ⑧ Uvolňovací spúšťač |
| ③ Zadnje rezilo                     | ⑨ Spúšťač            |
| ④ Pritrdilni sornik rezila          | ⑩ Prídavná rukoväť   |
| ⑤ Držalo                            | ⑪ 5 mm Inbus vijak   |
| ⑥ Rukoväť                           | ⑫ Akumulátor         |

**⚠ POZOR** Prečítajte si všetky bezpečnostné upozornenia, pokyny, vyobrazenia a údaje, ktoré dostanete spolu s prístrojom. Zanedbanie dodržiavania Výstražných upozornení a pokynov uvedených v nasledujúcom texte môže mať za následok zásah elektrickým prúdom, spôsobíť požiar a/alebo ťažké poranenie.

**Tieto Výstražné upozornenia a bezpečnostné pokyny starostlivo uschovajte na budúce použitie.**

### ⚠ BEZPEČNOSTNÉ UPOZORNENIA PRE STRIHAČ KÁBLOV

Za účelom zníženia rizika výbuchu, úrazu elektrickým prúdom a poškodenia majetku a vybavenia nikdy nerezte živé elektrické káble. Nástroj NIÉ JE izolovaný.

Ruky i voľnejší odev držte zďaleka od strižných nástrojov a iných pohyblivých častí. Existuje riziko vážneho poranenia, vrátane amputácie končatín.

Doporučujeme taktiež použitie súčastí ochranného odevu a ochrannej obuvi, ako sú protiprašná maska, ochranné rukavice, pevná a neklzájúca obuv, ochranná prilba a ochrana sluchu.

Použite ochranné vybavenie. Pri práci s rezačkou káblov vždy používajte ochranné okuliare.

Zabráňte náhodnej aktivácii rezačky káblov. Pred pripojením na vymeniteľnú batériu zaistite, aby bol spúšťač zabezpečený spínacím zámkom.

Nikdy nedržte rezačku káblov za rezné čeluste.

Pred použitím vždy skontrolujte rezné čeluste ohľadom prasklín a iných známkov opotrebenia.

Rezačku káblov, vymeniteľnú batériu a nabíjačku používajte len vtedy, ak sú v perfektnom technickom stave.

**Slovensky**

Poškodenia nechajte okamžite opraviť v autorizovanej špecializovanej dielni.

Pred každou prácou na stroji výmenný akumulátor vyťahnuť.

Rezačka káblov sa smie používať iba s vloženým rezným nástrojom.

Pred vykonaním rezu odstráňte akékoľvek nastavovacie nástroje a maticové kľúče.

Aby nedošlo k poraneniu a poškodeniam, nikdy neponárajte nástroj, vymeniteľnú batériu ani nabíjačku do kvapaliny a zabráňte vniknutiu kvapaliny do nich.

Držte rezačku káblov oboma rukovätami.

Pri poruchách v priebehu procesu rezania okamžite uvoľnite spúšťač a stlačte hydraulické resetovacie tlačidlo.

Ventil sa otvorí a piest prejde späť do východiskovej polohy.

## ZVÝŠKOVÉ RIZIKÁ

Predtým, než začne proces rezania, musí byť prístup zablokovaný v súlade s miestnymi predpismi.

Vždy reže iba káble, ktoré boli odpojené od prívodu elektrickej energie.

Kabli in v pletenice ne smeo biti izpostavljeni mehanskim silam.

Nedodržanie tohto pokynu môže viesť k vážnemu poraneniu, úmrtiu, požiaru a iným škodám na majetku v dôsledku zásahu elektrickým prúdom, výbuchu a/alebo elektrických oblúkov.

Noste ochranné okuliare.

## POUŽITIE PODĽA PREDPISOV

Rezalnik káblov je primeren za ločevanje breznapetostnih káblov iz izoliranega bakra ali aluminiija, ACSR-Seilne (pletenice iz aluminiija/jekla) in jeklenih pletenic, vsakokrat odvisno od tipa kabla.

Rezanje oziroma ločevanje káblov in pletenic s tem rezalnikom káblov sme izvajati samo oseba z elektrotehničnim znanjem.

Operátor tejto rezačky káblov musí byť poučený o konkrétnych nebezpečenstvách spojených s používaním tejto rezačky káblov a o základných bezpečnostných opatreniach pred prvotným začatím práce s ňou a potom minimálne raz za rok.

Prevádzkujúca spoločnosť musí:

- dať prevádzkový manuál k dispozícii operátorovi a
- uistiť sa, že operátor si ho prečítal a pochopil.

**⚠️ POZOR** Prečítajte si všetky bezpečnostné upozornenia, pokyny, vyobrazenia a údaje, ktoré dostanete spolu s prístrojom. Zanedbanie dodržiavania Výstražných upozornení a pokynov uvedených v nasledujúcom texte môže mať za následok zásah elektrickým prúdom, spôsobiť požiar a/alebo ťažké poranenie.

**Tieto Výstražné upozornenia a bezpečnostné pokyny starostlivo uschovajte na budúce použitie.**

## POUŽITIE

### Nastavenie pracovnej oblasti

Pred začatkom dela je treba vzpostaviť breznepetostno stanje napeljav ali pletenic in to stanje zagotoviti, dokler trajajo dela.

Ak nemožno bez pochýb zabezpečiť, že kábel alebo izolované vedenie sú odpojené, nesmiete tu vykonávať žiadnu prácu.

Obvezno je treba upoštevati varnostne predpise in pravila.

Kabli in pletenice ne smeo biti izpostavljeni mehanskim silam in morajo biti po potrebi zavarovani pred nenadzorovanimi premiki po rezu.

Prístroj nevystavujte dažďu a nepoužívajte v mokrom či vlhkom prostredí.

### Príprava rezačky káblov a batérie

Pred každým použitím:

- Skontrolujte rezačku káblov ohľadom vonkajších chýb
- Skontrolujte rezný nástroj ohľadom prasklín a iných známk opotrebenia

Používajte len v bezchybnom stave!

Predtým, než začne proces rezania, musí byť skontrolovaná kapacita batérie: minimálne 33% (pozri ilustrovaný opis).

Pred začatím prác môže byť nutné nabíjanie.

### Príprava na rezanie

Podprite in fiksirajte kabel ali pletenico, ki jo želite rezati, da zmanjšate tveganje nenadzorovanega premika.

Zlasti nadzemni vodi in pletenice se lahko nenadzorovano premikajo in povzročijo telesne poškodbe in/ali poškodbe.

Rezilna glava mora biti glede na kabel ali pletenico postavljená pod 90-stopijnjskim kotom, tako da se ta brez napetosti nalega v odprti reziilnih željustih in da se preperečijo neugodne strižne sile.

**⚠️ POZOR:** Za účelom zníženia rizika výbuchu, úrazu elektrickým prúdom a poškodenia majetku a vybavenia nikdy nerezte živé elektrické káble.

Nástroj NIE JE izolovaný. Kontakt so živým okruhom by mohol mať za následok vážne zranenie alebo úmrtie. Pred rezom vypnite prívod elektrického prúdu. Nikdy nerezte plynové vedenia ani vodovody. Ruky držte v bezpečnej vzdialenosti od všetkých rezných hrán a pohyblivých častí. Mohlo by dôjsť k tržným ranám alebo k amputácii končatín.

Pred výmenou alebo odobratím príslušenstva vždy vyberte akumulátorový článok. Používajte iba príslušenstvo špecificky odporúčané pre tento nástroj. Iné môže byť nebezpečné.

Na zníženie rizika zranenia používajte ochranné okuliare alebo okuliare s bočnými ochrannými štítmí.

**⚠️ POZOR:** Pre zníženie rizika zranenia reže iba materiály odporúčané pre čepele. (pozri „Špecifikácie“) Nepokúšajte sa rezať iné materiály.

### Rezanie

• Pre rezaním sa uistite, že čepele sú správne namontované.

1. Spelajte kabel pravokotno na rezila rezalnika káblov. Nepokúšajte sa vykonávať rezy pod uhlom, pretože by ste poškodili obrobok a čepele.

2. Pevne uchopte rukoväť / rukoväťe.

Ťahajte a držte spúšťač počas celej operácie.

LED sa rozsvieti pri potiahnutí spúšťača.

Ko je rez izveden ali ko je orodje izklopljeno, spustite sprožilno in aktivirajte ponastavitveno stikalo, da se odprejo rezilne željusti.

*Poznámka: Obrobok sa môže počas rezu mierne pohybovať.*

### Postup v prípade poruchy

- Kabel je lahko poškodovan ali pod napetostjo, o tem vedno obvestite odgovorno osebo za varnost, prekinite postopek rezanja, uvedite ustrezne varnostne ukrepe.



Slov

- Vždy sa uistite, že zariadenie je a zostane odpojené od napájania pred tým, než sa k nemu priblížite a dotknete sa ho
- Stlačte a podržte resetovacie tlačidlo, kým sa rezačka úplne neotvorí
- skontrolujte kapacitu batérie
- skontrolujte materiál a hrúbku materiálu podľa technických údajov
- Ak je podozrenie, že bol narezaný živý kábel, rezačka káblov musí byť skontrolovaná v autorizovanom odbornom servise

### Zaseknuté čepele

Špina a nečistoty môžu spôsobiť, že čepele sa dohromady zaseknú po vykonaní rezu

- Stlačte a podržte uvoľňovací spúšťač, aby ste zabezpečili resetovanie nástroja.
- Vyberte akumulátorový článok.
- Za odpiranje rezilných čelusti si oglejte opis slike.
- Pred začatím ďalšieho rezu očistite z čepeli špinu a nečistoty.

### Tipy k rezaniu

- Nepokúšajte sa vykonávať rezy pod uhlom, pretože by ste poškodili obrobok a čepele.
- Režte čistý materiál, aby ste predĺžili životnosť čepele. Pred začatím rezu utrite špinu a nečistoty z materiálu a čepeli.

### ÚDRZBA

Pred každou prácou na stroji výmenný akumulátor vytiahnuť. Nikdy neotvárajte rezačku káblov, vymeniteľnú batériu ani nabíjačku.

Skontrolujte rezačku káblov ohľadom akýchkoľvek problémov, ako je hluk alebo zaseknutie pohyblivých častí, ktoré by mohli mať negatívny vplyv na nástroj.

Skontrolujte rezný nástroj ohľadom prasklín a iných známk opotrebenia.

Po dokončení prác vyčistite a namažte rezné nástroje.

Skontrolujte ostrosť rezných hrán a opotrebované rezné čeluste vymeňte.

Čepele vymeňte, keď sú ich časti odlomené alebo poškodené. Vždy vymeňte čepele ako jednu súpravu. Používajte výhradne čepele MILWAUKEE.

Skontrolujte voľný pohyb rezných nástrojov.

Aby nedošlo k poraneniu a poškodeniam, nikdy neponárajte nástroj, vymeniteľnú batériu ani nabíjačku do kvapaliny a zabráňte vniknutiu kvapaliny do nich.

Vetracie otvory udržiavať stále v čistote.

Prístroj obsahuje hydraulický olej, ktorý predstavuje nebezpečenstvo pre podzemnú vodu. Jeho nekontrolované vypúšťanie alebo neodborná likvidácia sú trestné.

Zariadenie by malo byť servisované každých šesť až dvanásť mesiacov, v závislosti na spôsobe použitia.

O servisných intervaloch sa môžete dozvedieť viac cez aplikáciu ONE-KEY.

Údržbárske a opravárenské práce smú vykonávať len autorizované špecializované dielne.

Používať len Milwaukee príslušenstvo a Milwaukee náhradné diely. Súčiastky bez návodu na výmenu treba dať vymeniť v jednom z Milwaukee zákazníckych centier (viď brožúru Záruka/Adresy zákazníckych centier).

Pri udaní typu stroja a čísla nachádzajúceho sa na štítku dá sa v

prípade potreby vyžadovať explozívna schéma prístroja od vášho zákazníckého centra alebo priamo v Techtron Industries GmbH, Max-Eyth-Straße 10, 71364 Winnenden, Germany.

### ONE-KEY™

Ak sa chcete viac dozvedieť o funkcii ONE KEY na tomto nástroji, prečítajte si priložený návod pre rýchly štart alebo navštívte našu internetovú stránku <http://www.milwaukeekeetool.com/one-key>

Aplikáciu ONE KEY si môžete na svoj smartphone stiahnuť z app store alebo z Google Play.

Če pride do elektrostatické razelektrivite, se komunikacija prek tehnologije Bluetooth prekine in vmesnik za aplikaciju se zapre. Aplikacije naslednjih 45 sekund ni mogoče uporabljati. Po 45 sekundah je treba aplikaciju ponastaviti, da se obnovi." Ugotovili smo, da so rezultati znotraj najmanjših vrednosti, sprejemljivih za raven učinkovitosti korozije, v skladu z EN 301489-1/EN 301489-17. In uporabniku bomo v navodilih za uporabo navedli smernice za obratovanje.

### AKUMULÁTORY

Teplota vyššia ako 50°C znižuje výkon výmenného akumulátora. Zabráňte dlhšiemu ohriatiu slnkom alebo kúrením.

Pripájacie kontakty na nabíjacom zariadení a výmennom akumulátore udržiavať čisté.

Pre optimálnu životnosť je nutné akumulátory po použití plne dobíť. Dlhší čas nepoužívané výmenné akumulátory pred použitím dobíť.

K zabezpečeniu dlhej životnosti by sa akumulátory mali po nabití vybrať z nabíjačky.

Pri skladovaní akumulátora po dobu dlhšiu než 30 dní. Skladujte akumulátor v suchu pri cca 27°C. Skladujte akumulátor pri cca 30%-50% nabíjacej kapacity. Opakujte nabíjanie akumulátora každých 6 mesiacov.

Opotrebované výmenné akumulátory nezahadzujte do ohňa alebo medzi domový odpad. Milwaukee ponúka likvidáciu starých výmenných akumulátorov, ktorá je v súlade s ochranou životného prostredia; informujte sa u Vášho predajcu.

Výmenné akumulátory neskladovať spolu s kovovými predmetmi (nebezpečenstvo skratu).

Výmenné akumulátory systému M18 nabíjať len nabíjacími zariadeniami systému M18. Akumulátory iných systémov týmto zariadením nenabíjať.

### PREPRAVA LÍTIOVO-IÓNOVÝCH BATÉRIÍ

Lítiovo-iónové batérie podľa zákonných ustanovení spadajú pod prepravu nebezpečného nákladu.

Preprava týchto batérií sa musí realizovať s dodržiavaním lokálnych, vnútroštátnych a medzinárodných predpisov a ustanovení.

Spotrebiteľia môžu tieto batérie bez problémov prepravovať po cestách.

Komerčná preprava lítiovo-iónových batérií prostredníctvom špedičných firiem podlieha ustanoveniam o preprave nebezpečného nákladu. Prípravu k vyexpedovaniu a samotnú prepravu smú vykonávať iba adekvátne vyškolené osoby. Na celý proces sa musí odborné dohliadať.

Pri preprave batérií treba dodržiavať nasledovné:

Zabezpečte, aby boli kontakty chránené a izolované, aby sa zamedzilo skratom. Dávajte pozor na to, aby sa zväzok batérií v rámci balenia nemohol zošmyknúť. Poškodené a vytečené batérie sa nesmú prepravovať. Kvôli ďalším informáciám sa obráťte na váš špedičnú firmu.



Slov

Slovensky

## CE - VYHLÁSENIE KONFORMITY

Na našu výhradnú zodpovednosť vyhlasujeme, že produkt popísaný v časti „Technické údaje“ spĺňa všetky príslušné ustanovenia smerníc

2011/65/EÚ RoHS, 2006/42/ES, 2014/30/EÚ, 2014/53/EU  
a boli použité nasledovné harmonizované normy

EN 62841-1:2015

EN 62479:2010

EN 60950-1:2006+A11:2009+A1:2010+A12:2011+AC:2011+A2:2013

EN 55014-1:2006+A1:2009+A2:2011

EN 55014-2:2015

EN 50581:2012

EN 301 489-1 V1.9.2 (2011-09)

EN 301 489-17 V2.2.1 (2012-09)

EN 300 328 V1.9.1 (2015-02)



Winnenden, 2017-05-03

Alexander Krug / Managing Director

Spĺnomocnený zostaviť technické podklady.

Techtronic Industries GmbH

Max-Eyth-Straße 10, 71364 Winnenden, Germany

## SYMBOLY



Pred prvým použitím prístroja si pozorne prečítajte návod na obsluhu.



POZOR!  
Výstraha pred odmrštenými predmetmi



Pri práci so strojom vždy nosite ochranné okuliare.



Nebezpečenstvo úderu elektrickým prúdom



POZOR! NEBEZPEČENSTVO!



Pred každou prácou na stroji výmenný akumulátor vytiahnuť.



Ruky držte zďaleka od strižného nástroja a iných pohyblivých častí. Prsty sa totiž môžu dostať do strižného mechanizmu, následkom čoho môže dôjsť k ich oddeleniu alebo poraneniu.



Príslušenstvo - nie je súčasťou štandardnej výbavy, odporúčané doplnenie z programu príslušenstva.



Elektrické prístroje sa nesmú likvidovať spolu s odpadom z domácností. Elektrické a elektronické prístroje treba zbierať oddelene a odovzdať ich v recyklačnom podniku na ekologickú likvidáciu. Na miestnych úradoch alebo u vášho špecializovaného predajcu sa spýtajte na recyklačné podniky a zberné dvory.



Značka CE



UkrSEPRO značka zhody



Euroázijská značka zhody



Slov

DANE TECHNICZNE	M18 HCC45
<b>Nożyce do kabli</b>	
Numer produkcyjny	4587 00 01... ... 000001-999999
Napięcie baterii akumulatorowej	18 V
Siła znamionowa	77,8 kN
Zakres cięcia W zależności od rodzaju kabla	maks. Ø 44 mm
ACSR: Aluminium-/Stalowe liny Miedz / Aluminium	
Ciężar wg procedury EPTA 01/2003 (Li-Ion 2,0 Ah)	6,0 kg
<b>Informacja dotycząca szumów</b>	
Zmierzone wartości wyznaczono zgodnie z normą EN 62841. Poziom szumów urządzenia oszacowany jako A wynosi typowo:	
Poziom ciśnienia akustycznego (Niepewność K=3dB(A))	76,9 dB(A)
Poziom mocy akustycznej (Niepewność K=3dB(A))	87,9 dB(A)
<b>Należy używać ochraniaczy uszu!</b>	
<b>Informacje dotyczące wibracji</b>	
Wartości łączne drgań (suma wektorowa trzech kierunków) wyznaczone zgodnie z normą EN 62841	
Wartość emisji drgań <sub>n</sub>	1,2 m/s <sup>2</sup>
Niepewność K=	1,5 m/s <sup>2</sup>



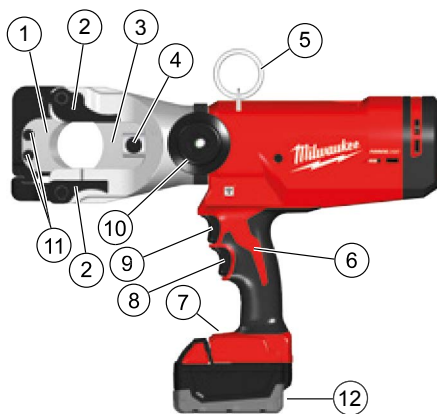
Pol

### OSTRZEŻENIE!

Podany w niniejszych instrukcjach poziom drgań został zmierzony za pomocą metody pomiarowej zgodnej z normą EN 62841 i może być użyty do porównania ze sobą elektronarzędzi. Nadaje się on również do tymczasowej oceny obciążenia wibracyjnego.

Podany poziom drgań reprezentuje główne zastosowania elektronarzędzia. Jeśli jednakże elektronarzędzie użyte zostanie do innych celów z innym narzędziami roboczymi lub nie jest dostatecznie konserwowane, wtedy poziom drgań może wykazywać odchylenia. Może to wyraźnie zwiększyć obciążenie wibracjami przez cały okres pracy.

Dla dokładnego określenia obciążenia wibracjami należy uwzględnić również czasy, w których urządzenie jest wyłączone względnie jest włączone, lecz w rzeczywistości nie pracuje. Może to spowodować wyraźną redukcję obciążenia wibracyjnego w całym okresie pracy. Należy wprowadzić dodatkowe środki zapobiegawcze celem ochrony obsługującego przed oddziaływaniem drgań, jak na przykład: konserwacja narzędzi roboczych i elektronarzędzi, nagrzanie rąk, organizacja przebiegu pracy.



### Opis urządzenia

- |                               |                                       |
|-------------------------------|---------------------------------------|
| ① Przedni lemiesz             | ⑦ Dioda LED                           |
| ② Dźwignie zwalnijące szczęki | ⑧ Spust zwalnijący                    |
| ③ Tylny lemiesz               | ⑨ Spust                               |
| ④ Sworzeń mocujący lemiesz    | ⑩ Dodatkowa rękkość                   |
| ⑤ Wieszadło                   | ⑪ 5 mm śruby z gniazdem sześciokątnym |
| ⑥ Uchwyt                      | ⑫ Akumulator                          |

**⚠ OSTRZEŻENIE** Przeczytać wszystkie wskazówki bezpieczeństwa, instrukcje, ilustracje i dane dołączone do urządzenia. Błędy w przestrzeganiu poniższych wskazówek mogą spowodować porażenie prądem, pożar i/lub ciężkie obrażenia ciała. **Należy starannie przechowywać wszystkie przepisy i wskazówki bezpieczeństwa dla dalszego zastosowania.**

### ⚠ WSKAZÓWKI BEZPIECZEŃSTWA DLA NOŻYC DO KABLI

W celu zmniejszenia ryzyka wybuchu, porażenia prądem elektrycznym i szkód materialnych i sprzętowych, nigdy nie przecinać kabli elektrycznych znajdujących się pod napięciem. Narzędzie NIE jest izolowane.

Trzymać ręce i luźne elementy ubrania z dala od narzędzi tnących i innych ruchomych części. Występuje ryzyko poważnych obrażeń, w tym obrażeń kończyn.

Zalecana jest odzież ochronna, jak maska pyłochronna, rękawice ochronne, mocne i chroniące przed poślizgiem obuwie, kask i ochronniki słuchu.

Stosować wyposażenie ochronne. Podczas pracy z przecinarką do kabli zawsze nosić okulary ochronne.

Zapobiegać przypadkowemu włączeniu przecinarki do kabli. Przed podłączeniem wymiennego akumulatora upewnić się, że spust jest zabezpieczony blokadą wyłącznika.

Nigdy nie trzymać przecinarki do kabli za szczęki tnące.

Przed użyciem zawsze sprawdzić szczęki tnące pod kątem pęknięć i innych oznak zużycia.

Używać przecinarki do kabli, wymiennej baterii i ładowarki wyłącznie w nienagannym stanie technicznym.

Naprawę uszkodzeń należy natychmiast zlecić autoryzowanemu

warsztatowi specjalistycznemu.

Przed przystąpieniem do jakichkolwiek prac na elektronarzędziu należy wyjąć wkładkę akumulatorową.

Przecinarki do kabli można używać wyłącznie z zamontowanym narzędziem tnącym.

Przed dokonaniem cięcia usunąć wszelkie narzędzia nastawcze i klucze.

W celu uniknięcia obrażeń lub szkód nigdy nie należy zanurzać narzędzia, wymiennej baterii ani ładowarki w cieczy ani nie dopuszczać, aby ciecz przeniknęła do ich wnętrza.

Zawsze trzymać przecinarkę do kabli za oba uchwyty.

W razie awarii podczas cięcia natychmiast zwolnić spust i nacisnąć przycisk resetujący układ hydrauliczny.

Zawór otwiera się i tłok przemieszcza się z powrotem do pozycji wyjściowej.

## ZAGROŻENIA RESZTKOWE

Przed rozpoczęciem cięcia odpowiedni obszar zamknąć i zabezpieczyć przed dostępem zgodnie z lokalnymi przepisami.

Ciąć wyłącznie kable nieznajdujące się pod napięciem.

Kable i liny nie mogą być poddawane działaniu sił mechanicznych.

W przypadku nieprzestrzegania niniejszej instrukcji istnieje zagrożenie poważnych obrażeń, śmierci, pożaru lub innych szkód materialnych spowodowanych porażeniem prądem elektrycznym, wybuchem i/lub łukiem elektrycznym.

Należy nosić okulary ochronne.

## WARUNKI UŻYTKOWANIA

Przecinarka do cięcia kabli jest przeznaczona do przecinania niezajdujących się pod napięciem izolowanych kabli miedzianych lub aluminiowych wzgl. lin z ACSR (liny aluminiowe/stalowe), lin stalowych, w zależności od typu.

Przecinanie lub rozcinanie kabli i lin za pomocą przecinarki może być wykonywane wyłącznie przez osoby poinstruowane w zakresie przeprowadzania prac elektrotechnicznych.

Przed rozpoczęciem pracy z przecinarką do kabli po raz pierwszy, a potem co najmniej raz w roku operator przecinarki do kabli musi zostać poinstruowany w zakresie określonych zagrożeń związanych z jej użytkowaniem oraz w zakresie najważniejszych środków bezpieczeństwa.

Eksploatator musi:

- udostępnić instrukcję użytkowania operatorowi i
- upewnić się, że operator przeczytał ją i zrozumiał.

**OSTRZEŻENIE** Przeczytać wszystkie wskazówki bezpieczeństwa, instrukcje, ilustracje i dane dołączone do urządzenia. Błędy w przestrzeganiu poniższych wskazówek mogą spowodować porażenie prądem, pożar i/lub ciężkie obrażenia ciała. Należy starannie przechowywać wszystkie przepisy i wskazówki bezpieczeństwa dla dalszego zastosowania.

## UŻYCIE

### Przygotowanie obszaru roboczego

Przed rozpoczęciem cięcia należy zapewnić, aby podczas trwania prac przewody lub liny nie znajdowały się pod napięciem.

W przypadku, gdy nie da się jednoznacznie stwierdzić, że kabel lub izolowany przewód został odłączony, nie wolno wykonywać żadnych prac.

Bezwzględnie należy przestrzegać lokalnych przepisów bezpieczeństwa i regulacji.

Kable i liny nie mogą być poddawane działaniu sił mechanicznych i należy je w razie konieczności zabezpieczyć przed niekontrolowanymi ruchami po wykonaniu cięcia.

Nie wystawiać narzędzi na działanie deszczu. Nie używać narzędzi w miejscach wilgotnych lub mokrych.

### Przygotowanie przecinarki do kabli i baterii

Przed każdym użyciem:

- Sprawdzić przecinarkę do kabli pod kątem wad zewnętrznych
- Sprawdzić narzędzie tnące pod kątem pęknięć i innych oznak zużycia

Używać wyłącznie w nienagannym stanie!

Przed rozpoczęciem cięcia sprawdzić pojemność baterii: minimum 33% (patrz opis na ilustracji).

W razie konieczności naładować przed rozpoczęciem pracy.

### Przygotowanie procesu cięcia

Podpreźć i unieruchomić przecinany kabel lub linę w celu minimalizacji ryzyka wynikającego z niekontrolowanego ruchu kabla.

W szczególności przewody i liny napowietrzne mogą w sposób nieskontrolowany się poruszyć, powodując obrażenia i / lub szkody.

Głowicę tnącą należy przyłożyć do kabla lub liny pod kątem 90° tak, aby bez naprężenia znalazła się ona w otwartych szczękach tnących, eliminując powstanie niekorzystnych sił tnących.

**OSTRZEŻENIE:** W celu zmniejszenia ryzyka wybuchu, porażenia prądem elektrycznym i szkód materialnych i sprzętowych, nigdy nie przecinać kabli elektrycznych znajdujących się pod napięciem.

Narzędzie NIE jest izolowane. Kontakt z obwodem elektrycznym znajdującym się pod napięciem może spowodować poważne obrażenia lub śmierć. Przed wykonywaniem cięcia należy wyłączyć zasilanie. Nigdy nie wolno przecinać przewodów gazowych ani wodociągów. Ręce należy trzymać z dala od krawędzi tnących i ruchomych elementów.

Występuje ryzyko ciężkich obrażeń lub obciążenia kończyn.

Przed wymianą lub usuwaniem wyposażenia zawsze należy wyciągnąć wymienną baterię. Zawsze należy używać wyłączenie wyposażenia specjalnie zalecanego dla tego narzędzia. Używanie innego wyposażenia jest niebezpieczne.

Aby zmniejszyć ryzyko obrażeń, zawsze należy nosić okulary ochronne lub okulary z osłonami bocznymi.

**OSTRZEŻENIE:** W celu zredukowania ryzyka obrażeń, ciąć wyłącznie materiały zalecane dla ostrzy. (patrz „Specyfikacje”) Nie próbować ciąć innych materiałów.

### Cięcie

- Przed rozpoczęciem cięcia należy się upewnić, że ostrza są prawidłowo zamontowane.

1. Kabel należy wprowadzić na ostrza przecinarki pod kątem prostym. Nie próbować wykonywać ukośnych cięć, ponieważ uszkodzi to kabel, jak i ostrza.

2. Mocno chwycić uchwyt(y). Wcisnąć i przytrzymać spust.





Gdy spust jest wciśnięty, świeci się dioda LED.

Po dokonaniu cięcia lub gdy narzędzie się wyłączy, należy ponownie zwolnić mechanizm wyłączający i uruchomić przycisk resetu, aby szczęki tnące się otworzyły.

*Uwaga: Podczas przecinania kabel może się delikatnie przesunąć.*

### Postępowanie w przypadku błędów

- kabel może być nacięty lub znajdować się pod napięciem, zawsze zawiadomiej inspektora BHP, przerwa proces cięcia, zastosować odpowiednio środki bezpieczeństwa
- Przed podejściem do urządzenia i dotknięciem go zawsze upewnij się, że nie znajduje się ono pod napięciem i pozostanie w takim stanie
- wcisnąć i przytrzymać przycisk reset, aż przecinarka w pełni się otworzy
- sprawdzić pojemność baterii
- sprawdzić materiał i jego grubość w oparciu o dane techniczne
- W przypadku podejrzenia przecięcia kabla znajdującego się pod napięciem, przecinarka musi zostać poddana kontroli w autoryzowanym warsztacie specjalistycznym



### Zakleszczone krawędzie tnące

Zabrudzenia i przylegające pozostałości mogą doprowadzić do tego, że po wykonaniu cięcia krawędzie tnące zakleszczą się

- Wcisnąć i przytrzymać spust zwalnający aby upewnić się, że narzędzie zostało zresetowane.
- Usunąć wymienne baterie.
- Należy postępować zgodnie z opisem na obrazku dotyczącym otwierania szczęk tnących
- Wyczyścić wszelkie zabrudzenia z krawędzi tnących przed rozpoczęciem kolejnego cięcia.

### Wskazówki dotyczące przecinania kabli

- Nie próbować wykonywać ukośnych cięć, ponieważ uszkodzi to kabel, jak i ostrza.
- Ciąć wyłącznie czyste kable, co pozwoli wydłużyć żywotność ostrzy. Wytrzeć zabrudzenia i przylegające pozostałości z kabli i ostrzy przed rozpoczęciem cięcia.

### UTRZYMANIE I KONSERWACJA

Przed przystąpieniem do jakichkolwiek prac na elektronarzędziu należy wyjąć wkładkę akumulatorową.

Nigdy nie otwierać przecinarki, wymiennej baterii ani ładowarki.

Sprawdzić przecinarkę pod kątem jakichkolwiek problemów takich jak hałas, zakleszczanie się ruchomych elementów, co może mieć wpływ na prawidłowe działanie narzędzia.

Sprawdzić narzędzia tnące pod kątem pęknięć i innych oznak zużycia.

Po zakończeniu pracy wyczyścić i nasmarować narzędzia tnące.

Sprawdzić, czy krawędzie tnące są ostre a zużyte szczęki tnące wymienić.

Wymienić ostrza, gdy są wyszczerbione lub uszkodzone. Zawsze wymieniać ostrza parami. Używać wyłącznie ostrzy firmy MILWAUKEE.

Sprawdzić, czy narzędzia tnące poruszają się swobodnie.

W celu uniknięcia obrażeń lub szkód nigdy nie należy zanurzać narzędzia, wymiennej baterii ani ładowarki w cieczy ani nie dopuszczać, aby ciecz przeniknęła do ich wnętrza.

Otwory wentylacyjne elektronarzędzia muszą być zawsze drożne.

Urządzenie zawiera olej hydrauliczny, który stanowi zagrożeniem dla wody gruntowej. Niekontrolowane spuszczenie oleju lub niewłaściwe usuwanie oleju do odpadów jest karalne.

Urządzenie powinno być poddawane konserwacji co sześć do dwunastu miesięcy, w zależności od użytkowania.

Więcej informacji na temat okresów międzyprzeglądowych znaleźć można za pomocą aplikacji ONE-KEY.

Roboty konserwacyjne i roboty naprawcze mogą być wykonywane wyłącznie przez autoryzowane warsztaty specjalistyczne.

Używać tylko i wyłącznie wyposażenia dodatkowego Milwaukee i części zamiennych Milwaukee. Gdyby trzeba było wymienić części, które nie zostały opisane, należy skontaktować się z przedstawicielem serwisu Milwaukee (patrz wykaz adresów punktów usługowych/gwarancyjnych).

Na życzenie można otrzymać rysunek widoku zespołu rozebranego. Przy zamawianiu należy podać numer oraz typ elektronarzędzia umieszczonego na tabliczce znamionowej. Zamówienia można dokonać albo u lokalnych przedstawicieli serwisu, albo bezpośrednio w Techtronic Industries GmbH, Max-Eyth-Strasse 10, 71364 Winnenden, Germany.

### ONE-KEY™

Aby dowiedzieć się więcej na temat funkcji ONE-KEY urządzenia, przeczytaj załączoną instrukcję szybkiego startu lub odwiedź nas w Internecie na stronie <http://www.milwaukeeetool.com/one-key>.

Możesz pobrać aplikację ONE-KEY z sklepu App Store lub Google Play na swojego smartfona.

Podczas wyładowania elektrostatycznego komunikacja Bluetooth zostanie odłączona, a interfejs aplikacji — zamknięty. Nie będzie można korzystać z aplikacji przez najbliższe 45 sekund. W celu wrócenia pracy po 45 s należy zresetować aplikację. Uznałismy, że wynik mieści się w ramach minimalnego dopuszczalnego poziomu wydajności zgodnie z EN 301489-1 / EN 301489-17. Przekazemy też klientowi wytyczne operacyjne w instrukcji obsługi.

### BATERIE AKUMULATOROWE

W temperaturze powyżej 50°C następuje spadek osiągniętych wkładki akumulatorowej. Unikaj długotrwałego wystawienia na oddziaływanie ciepła lub promieni słonecznych (niebezpieczeństwo przegrzania).

Styki ładowarek i wkładek akumulatorowych należy utrzymywać w czystości

Dla zapewnienia optymalnej żywotności akumulatory po użyciu należy naładować do pełnej pojemności. Akumulatory, które nie były przez dłuższy czas użytkowane, należy przed użyciem naładować.

Dla zapewnienia możliwie długiej żywotności akumulatory należy wyjąć z ładowarki po ich naładowaniu.

W przypadku składowania akumulatorów dłużej aniżeli 30 dni, Przechowywać je w suchym miejscu w temperaturze ok. 27°C, Przechowywać je w stanie naładowanym do ok. 30% - 50%, Ładować je ponownie co 6 miesięcy.

Zużytych akumulatorów nie wolno wrzucać do ognia ani traktować jako odpadów domowych. Milwaukee oferuje ekologiczną utylizację zużytych akumulatorów.

Nie przechowywać akumulatorów wraz z przedmiotami metalowymi (niebezpieczeństwo zwarcia).

Akumulatory Systemu M18 należy ładować wyłącznie przy pomocy ładowarek Systemu M18. Nie ładować przy pomocy tych ładowarek akumulatorów innych systemów.

## TRANSPORT AKUMULATORÓW LITOWO-JONOWYCH

Akumulatory litowo-jonowe podlegają ustawowym przepisom dotyczącym transportu towarów niebezpiecznych.

Transport tych akumulatorów winien odbywać się przy przestrzeganiu lokalnych, krajowych i międzynarodowych rozporządzeń i przepisów.

Odbiorcom nie wolno transportować tych akumulatorów po drogach o tak po prostu.

Komercyjny transport akumulatorów litowo-jonowych przez przedsiębiorstwa spedycyjne podlega przepisom dotyczącym transportu towarów niebezpiecznych. Przygotowania do wysyłki oraz transport mogą być wykonywane wyłącznie przez odpowiednio przeszkolone osoby. Cały proces winien odbywać się pod fachowym nadzorem.

W czasie transportu akumulatorów należy przestrzegać następujących punktów:

Celem uniknięcia zwarcia należy upewnić się, że zestyki są zabezpieczone i zaizolowane. Zwracać uwagę na to, aby zespół akumulatorów nie mógł się przemieszczać we wnętrzu opakowania. Nie wolno transportować akumulatorów uszkodzonych lub z wyciekającym z elektrolitem. Odnośnie dalszych wskazówek należy zwrócić się do swojego przedsiębiorstwa spedycyjnego.

## DEKLARACJA ZGODNOŚCI CE

Oświadczamy na naszą wyłączną odpowiedzialność, że produkt opisany pod „Dane techniczne” spełnia wszystkie istotne przepisy dyrektyw

2011/65/UE RoHS, 2006/42/WE, 2014/30/UE, 2014/53/EU i zastosowano następujące zharmonizowane normy

EN 62841-1:2015

EN 62479:2010

EN 60950-1:2006+A11:2009+A1:2010+A12:2011+AC:2011+A2:2013

EN 55014-1:2006+A1:2009+A2:2011

EN 55014-2:2015

EN 50581:2012

EN 301 489-1 V1.9.2 (2011-09)

EN 301 489-17 V2.2.1 (2012-09)

EN 300 328 V1.9.1 (2015-02)



Winnenden, 2017-05-03

Alexander Krug / Managing Director

Uppełnomocniony do zestawienia danych technicznych

Techtronic Industries GmbH

Max-Eyth-Straße 10, 71364 Winnenden, Germany

## SYMBOLE



Przed uruchomieniem elektronarzędzia zapoznać się uważnie z treścią instrukcji.



**OSTRZEŻENIE!**

Niebezpieczeństwo zranienia odpryskującymi odłamkami



Podczas pracy należy zawsze nosić okulary ochronne.



Ryzyko porażenia prądem elektrycznym



**UWAGA! OSTRZEŻENIE NIEBEZPIECZEŃSTWO!**



Przed przystąpieniem do jakichkolwiek prac na elektronarzędziu należy wyjąć wkładkę akumulatorową.



Trzymać ręce z dala od narzędzia tnącego i innych ruchomych części. Palce mogą dostać się do mechanizmu tnącego i zostać odcięte lub skaleczone.



Wyposażenie dodatkowe dostępne osobno.



Urządzenia elektryczne nie mogą być usuwane razem z odpadami pochodzącymi z gospodarstw domowych. Urządzenia elektryczne i elektroniczne należy gromadzić oddzielnie i w celu usuwania ich do odpadów zgodnie z wymaganiami środowiska naturalnego oddawać do przedsiębiorstwa utylizacyjnego. Proszę zasięgnąć informacji o centrach recyklingowych i punktach zbiorczych u władz lokalnych lub u wyspecjalizowanego dostawcy.



Znak CE



Znak zgodności UkrSEPRO



Znak zgodności EurAsian



Pol

MŰSZAKI ADATOK	M18 HCC45
<b>Kábelvágó</b>	
Gyártási szám	4587 00 01... ... 000001-999999
Akkumulátor feszültség	18 V
Névleges energia	77,8 kN
Vágási terület Kábeltypustól függ	max. Ø 44 mm
ACSR: alumínium-/Acélkötelek rész / alumínium	
Súly a 01/2003 EPTA-eljárás szerint (Li-Ion 2,0 Ah)	6,0 kg
<b>Zajinformáció</b>	
A közölt értékek megfelelnek az EN 62841 szabványnak. A készülék munkahelyi zajszintje tipikusan:	
Hangnyomás szint (K bizonytalanság=3dB(A))	76,9 dB(A)
Hangteljesítmény szint (K bizonytalanság=3dB(A))	87,9 dB(A)
<b>Hallásvédő eszköz használata ajánlott!</b>	
<b>Vibráció-információk</b>	
Összesített rezgésértékek (három irány vektoriális összeg az EN 62841-nek megfelelően meghatározva).	
rezgésemisszió értéke <sub>h</sub>	1,2 m/s <sup>2</sup>
K bizonytalanság	1,5 m/s <sup>2</sup>

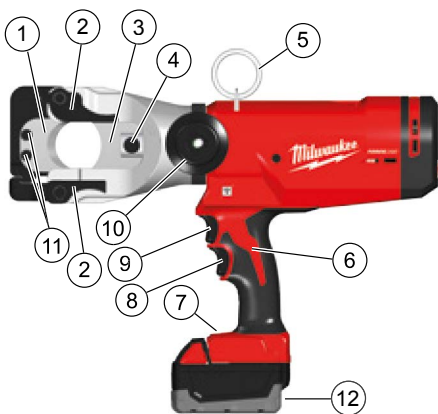


### FIGYELMEZTETÉS!

A jelen utasításokban megadott rezgésszint értéke az EN 62841-ben szabályozott mérési eljárásnak megfelelően került lemerésre, és használható elektromos szerszámokkal történő összehasonlításhoz. Az érték alkalmas a rezgésterhelés előzetes megbecsülésére is. A megadott rezgésszint-érték az elektromos szerszám legfőbb alkalmazásait reprezentálja. Ha az elektromos szerszámot azonban más alkalmazásokhoz, eltérő használt szerszámokkal vagy nem elegendő karbantartással használják, a rezgésszint értéke eltérő lehet. Ez jelentősen megnövelheti a rezgésterhelést a munkavégzés teljes időtartama alatt.

A rezgésterhelés pontos megbecsüléséhez azokat az időket is figyelembe kell venni, melyekben a készülék lekapcsolódik, vagy ugyan működik, azonban ténylegesen nincs használatban. Ez jelentősen csökkentheti a rezgésterhelést a munkavégzés teljes időtartama alatt.

Határozzon meg további biztonsági intézkedéseket a kezelő védelmére a rezgések hatása ellen, például: az elektromos és a használt szerszámok karbantartásával, a kezek melegen tartásával, a munkafolyamatok megszervezésével.



### Eszközelírás

- |                     |                               |
|---------------------|-------------------------------|
| ① Elülső penge      | ⑦ LED                         |
| ② Pofakioldó karok  | ⑧ Indítógomb kioldása         |
| ③ Hátsó penge       | ⑨ Indítógomb                  |
| ④ Pengerőgítő túske | ⑩ Kiegészítő fogantyú         |
| ⑤ Függesztő         | ⑪ 5 mm hatlapú imbuszcsovarok |
| ⑥ Fogantyú          | ⑫ Akkumulátor                 |

**⚠ FIGYELMEZTETÉS Olvasson el minden, a géppel együtt megkapott biztonsági utalást, utasítást, ábrázolást és adatot.** A következőkben leírt előírások betartásának elmulasztása áramütésekhez, tűzhöz és/vagy súlyos testi sérülésekhez vezethet. **Kérjük a későbbi használatra gondosan őrizze meg ezeket az előírásokat.**

### ⚠ BIZTONSÁGI TUDNIVALÓK KÁBELVÁGÓKHOZ

Robbanás, villamos áramütés, valamint vagyoni és berendezésárkockázatának csökkentése érdekében soha ne vágjon élő (áram alatt levő) villamos kábeleket. A szerszám NEM szigetelt.

Tartsa távol a vágószerszámoktól és a többi mozgó résztől kezeit és a lazán felfekvő ruházatát. Súlyos sérülés, így végtagok leszakításának veszélye áll fenn.

Javasoljuk a védőruházat, úgymint porvédő maszk, védőcipő, erős és csúszásbiztos lábbeli, sisak és hallásvédő használatát.

Használjon védőfelszerelést! Mindig viseljen védőszemüveget a kábelvágóval történő munkavégzés során.

Akadályozza meg a kábelvágó véletlen beindítását. A cserélhető akkumulátor csatlakoztatása előtt gondoskodjon arról, hogy az indítógomb a kapcsoló reteszével ki legyen biztosítva.

A kábelvágót soha ne fogja meg a vágópofáknál.

Használat előtt mindig ellenőrizze, hogy nincsenek-e repedések és egyéb elhasználódási nyomok a vágópofákon.

A kábelvágót, a cserélhető akkumulátort és a töltőt csak akkor használja, ha azok tökéletes műszaki állapotban vannak.

A sérüléseket azonnal javíttassa meg arra jogosult szakműhellyben.

Karbantartás, javítás, tisztítás, stb. előtt az akkumulátort ki kell venni a készülékből.

A kábelvágót csak behelyezett vágószerszámmal szabad használni. A vágás elvégzése előtt távolítsa el minden beállítószerszámot és csavarkulcsot.

A sérülés és károsodás elkerülése érdekében a szerszámot, a cserélhető akkumulátort és a töltőt soha ne merítse folyadékba, és ne engedje folyadék behatolását ezekbe.

A kábelvágót csak a két fogantyúnál fogva tartsa.

A vágási folyamat során felmerülő meghibásodások esetén azonnal engedje fel az indítógombot, és nyomja le a hidraulikus nullázógombot.

A szelep kinyílik, és a dugattyú visszatér a kiindulási pozícióba.

## FENNMARADÓ VESZÉLYEK

A vágási folyamat megkezdése előtt a helyi előírásoknak megfelelően le kell zárni a területet.

Mindig csak olyan kábeleket vágjon, amelyek le vannak választva az áramellátásról.

A kábeleket és a köteleket nem szabad kitenni mechanikai erők hatásának.

Ennek az utasításnak a figyelmen kívül hagyása súlyos sérüléshez, halálhoz, tűzhöz és egyéb vagyoni kárhoz vezethet villamos áramütés, robbanás és/vagy villamos ívek miatt.

Viseljen védőszemüveget.

## RENDELTESSZERŰ HASZNÁLAT

A kábelvágó szigetelt rézből vagy alumíniumból készült feszültségmentes kábeleket, ill. ACSR-köteleket (acélal meg erősített alumíniumköteleket) és acélköteleket szétválasztására alkalmas, a kábel típusától függően.

A kábeleket és a köteleket vágását, ill. szétválasztását a kábelvágó segítségével csak az elektrotechnika terén megfelelő képzésben részesült személyek végezhetik.

Ennek a kábelvágónak a kezelőjét – a vágóval történő első munkavégzést megelőzően, majd ezt követően legalább évente – ki kell oktatni a kábelvágóval való munkavégzéssel járó speciális veszélyekről és az alapvető biztonsági intézkedésekről.

Az üzemeltetést végző vállalat köteles:

- az üzemeltetési kézikönyvet a kezelő rendelkezésére bocsátani, és gondoskodni arról, hogy a kezelő elolvassa a kézikönyvet, és megértse annak tartalmát.

**▲ FIGYELMEZTETÉS** Olvasson el minden, a géppel együtt megkapott biztonsági utalást, utasítást, ábrázolást és adatot. A következőkben leírt előírások betartásának elmulasztása áramütésekhez, tűzhöz és/vagy súlyos testi sérülésekhez vezethet. **Kérjük a későbbi használatra gondosan őrizze meg ezeket az előírásokat.**

## ALKALMAZÁS

### A munkaterület előkészítése

A munka megkezdése előtt biztosítani kell a vezetékek és a kötelek feszültségmentes állapotát, és ezt az állapotot a munkavégzés teljes időtartamára fenn kell tartani.

Nem kezdhető meg a munka abban az esetben, ha kétséget kizáróan nem garantálható, hogy a kábel vagy a szigetelt vezeték le van választva.

Feltétlenül tartsa be a helyi biztonsági előírásokat és szabályozásokat.

A kábeleket és a köteleket nem szabad kitenni mechanikai erők hatásának, és adott esetben biztosítani kell őket a vágás utáni akaratlan mozgásokkal szemben.

A berendezést tilos nedves, vagy vizes környezetben használni és kitenni eső hatásának.

### A kábelvágó és az akkumulátor előkészítése

Minden használat előtt:

- Vizsgálja meg a kábelvágót, hogy nincsenek-e rajta külső hiányosságok
- Ellenőrizze, hogy nincsenek-e repedések és egyéb elhasználódási nyomok a vágószerszámon

Csak tökéletes állapotban használja!

A vágási folyamat megkezdése előtt az akkumulátor kapacitását ellenőrizni kell: az előírt érték legalább 33% (lásd az illusztrált leírást).

A munka megkezdése előtt szükség lehet töltésre.

### A vágási folyamat előkészítése

Az akaratlan mozgás kockázatának minimálisra csökkentése érdekében támassza meg és rögzítse a vágni kívánt kábelt vagy kötelet.

Különösen a légvezetékek és a szabaddá vált kötelek fejhetnek ki akaratlan mozgást és okozhatnak sérülést vagy károsodást.

A vágófejet 90°-os szögben kell a kábelhez vagy a kötélhez illeszteni azzal a céllal, hogy a kábel vagy a kötél feszültségmentesen a nyitott vágópofák közé fekdüjön, és el lehessen kerülni a kedvezőtlen nyíróerőket.

**▲ FIGYELMEZTETÉS: Robbanás, villamos áramütés, valamint vagyoni és berendezéskár kockázatának csökkentése érdekében soha ne vágjon élő (áram alatt levő) villamos kábeleket.**

**A szerszám NEM szigetelt. Az áram alatt levő kábellel való érintkezés súlyos sérülést vagy halált okozhat. Vágás előtt kapcsolja ki a tápfeszültséget. Soha ne vágjon gáz- vagy vízvezetéket. Tartsa távol a kezét a vágóélektől és a mozgó alkatrészekről. Végtagok leszakadása vagy levágása következhet be.**

**Töltés vagy tartozékok kiemelése előtt mindig vegye ki az akkumulátort. Csak kifejezetten ehhez a szerszámmal ajánlott tartozékokat használjon. Minden egyéb veszélyes lehet.**

**A sérülési kockázat csökkentése érdekében viseljen munkavédelmi szemüveget vagy oldalsó védőlemezzel rendelkező szemüveget.**

**▲ FIGYELMEZTETÉS: A sérülésveszély elkerülésének érdekében csak a pengékhez ajánlott anyagokat vágjon. (lásd a „Műszaki adatok” c. fejezetet) Más anyagokat ne próbáljon vágni.**

### Vágás

- Vágás előtt gondoskodjon arról, hogy a pengék megfelelően legyenek behelyezve.

1. Vezesse a kábelt derékszögben a kábelvágó vágóéleire. Ferde vágást ne kíséreljen meg, mert az károsítja a munkadarabot és a pengéket.



Magyar

2. Stablan markolja a fogantyúkat. Húzza meg az indítógombot, és üzem közben tartsa lenyomva. Az indítógomb meghúzott állapotában minden LED világít. A vágás vagy a gép kikapcsolása után engedje el újra a kioldót, és hozza működésbe a visszaállító kapcsolót, hogy a vágópofák kinyiljanak.

*Megjegyzés: A vágás során kissé elmozdulhat a munkadarab.*

### Teendők üzempazar esetén

- a megvágott kábel feszültség alatt állhat – mindig tájékoztassa a biztonsági felelőst, szakítsa meg a vágási folyamatot, hozza meg a megfelelő biztonsági intézkedéseket
- Mindig gondoskodjon arról, hogy az eszköz le legyen választva az erősáramú hálózatról, mielőtt az eszközt megközelíti és megérinti
- nyomja meg és tartsa lenyomva a gombot, amíg a vágó teljesen ki nem nyílik
- ellenőrizze az akkumulátorkapacitást
- ellenőrizze az anyagot és az anyagvastagságot a műszaki adatok alapján
- Ha felmerül a gyanú, hogy áram alatt levő kábelt vágta át, akkor a kábelvágót hivatalos szakműhelyben áll kell vizsgáltatni

### Beszorult pengék

Egy-egy vágás után a szennyeződés és a törmelék a pengék beszorulását okozhatja

- Nyomja le és tartsa lenyomva a kioldógombot, hogy a szerszám alaphelyzetbe álljon.
- Vegye ki az akkumulátort.
- A vágópofák kinyitásához kövesse a képleírást
- Az újabb vágás indítása előtt távolítsa el a szennyeződéseket és a törmelékét a pengék közül.

### Vágási tippek

- Ferde vágást ne kíséreljen meg, mert az károsítja a munkadarabot és a pengéket.
- A penge élettartamának növelése érdekében tiszta anyagot vágjon. A vágás megkezdése előtt törölje le a szennyeződést és a törmelékét az anyagról és a pengékről.

### KARBANTARTÁS

Karbantartás, javítás, tisztítás, stb. előtt az akkumulátort ki kell venni a készülékből.

Soha ne nyissa fel a kábelvágót, a cserélhető akkumulátort vagy a töltőt.

Vizsgálja meg a kábelvágót bármilyen olyan probléma – zaj, mozgó alkatrészek beszorulása – tekintetében, amely befolyással lehet a szerszáma.

Ellenőrizze, hogy nincsenek-e repedések és egyéb elhasználódási nyomok a vágószerszámokon.

A munka befejeztével tisztítsa meg és zsírozza be a vágószerszámokat.

Ellenőrizze, hogy a vágóélek élesek-e, és cserélje ki az elhasználódott vágópofákat.

Cserélje ki a pengéket, ha töredezettek vagy sérültek. A pengéket mindig garnitúrában cserélje. Csak MILWAUKEE pengéket használjon.

Ellenőrizze, hogy a vágószerszám akadálytalanul mozog-e.

A sérülés és károsodás elkerülése érdekében a szerszámot, a cserélhető akkumulátort és a töltőt soha ne merítse folyadékba, és ne engedje folyadék behatolását ezekbe.

A készülék szellőzőnyílásait mindig tisztán kell tartani.

A készülék hidraulikaolajat tartalmaz, amely veszélyt jelent a talajvízre. Az olaj ellenőrzetlen leeresztése vagy szakszerűtlen ártalmatlanítása büntetendő.

Az eszközt – a használatától függően – hattól tizenkét hónapig terjedő időszakonként szervizelni kell.

A szervizidőszakokról bővebben a ONE-KEY appon keresztül tájékozódhat.

Karbantartási és javítási munkálatokat csak arra jogosult szakműhely végezhet.

Csak Milwaukee tartozékokat és Milwaukee pótkatrészeket szabad használni. Az olyan elemeket, melyek cseréje nincs ismertetve, cseréltesse ki Milwaukee szervizzel (lásd Garancia/Ügyfélszolgálat címei kiadványt).

Szükség esetén a készülékek robbantott ábráját – a készülék típusa és azonosító száma alapján a területileg illetékes Milwaukee márkaszerviztől vagy közvetlenül a gyártótól (Techtronic Industries GmbH, Max-Eyth-Straße 10, 71364 Winnenden, Germany) lehet kérni.

### ONE-KEY™

A szerszám ONE-KEY funkciójához további információ a mellékelt gyorsindítási útmutatóban vagy az interneten található: <http://www.milwaukeeool.com/one-key>.

A ONE-KEY alkalmazás az App Store-ból vagy a Google Play-ből tölthető le.

Elektrosztatikus kislülés esetén a Bluetooth-adatátvitel lekapcsolódik, és az alkalmazás interfésze kilép. Az alkalmazás 45 másodpercig nem használható. 45 másodperc elteltével újra kell indítani az alkalmazást az ismételt működéshez. Az eredmény az EN 301489-1/ EN 301489-17 szabvány által meghatározott minimálisan elfogadható teljesítési szinten belülinek tekintettük. Az üzemeltetési útmutatót a felhasználói kézikönyvben biztosítjuk a vevő számára.

### AKKUK

50°C feletti hőmérsékletnél csökkenhet az akkumulátor teljesítménye. Kerülni kell a túlzottan meleg helyen vagy napon történő hosszabb idejű tárolást.

A töltő és az akkumulátor csatlakozóit mindig tisztán kell tartani.

Az optimális élettartam érdekében használat után az akkukat teljesen fel kell tölteni. A hosszabb ideig üzemben kívüli lévő akkumulátort használat előtt ismételtelen fel kell tölteni.

A lehetőleg hosszú élettartamhoz az akkukat feltöltés után ki kell venni a töltőkészülékből.

Az akku 30 napot meghaladó tárolása esetén: Az akkut kb. 27 °C-on, száraz helyen kell tárolni. Az akkut kb. 30-50%-os töltöttségi állapotban kell tárolni. Az akkut 6 havonta újra fel kell tölteni.

A használt akkumulátort ne dobja tűzbe vagy a háztartási szemétkébe. Tájékozódjon a szakszerű megsemmisítés helyi lehetőségeiről.

Az akkumulátort ne tárolja együtt fém tárgyakkal. (Rövidzárlat veszélye).

Az M18 elnevezésű rendszerhez tartozó akkumulátorokat kizárólag a rendszerhez tartozó töltővel töltsse fel. Ne használjon más rendszerbe tartozó töltőt.

## LÍTIUM-ION AKKUK SZÁLLÍTÁSA

A lítium-ion akkuk a veszélyes áruk szállítására vonatkozó törvényi rendelkezések hatálya alá tartoznak.

Az ilyen akkuk szállításának a helyi, országos és nemzetközi előírások és rendelkezések betartása mellett kell történnie.

A fogyasztók minden további nélkül szállíthatják az ilyen akkukat közúton.

A lítium-ion akkuk szállítmányozási vállalatok általi kereskedelmi célú szállítására a veszélyes áruk szállítására vonatkozó rendelkezések érvényesek. A kiszállítás előkészítését és a szállítást kizárólag megfelelő képzettségű személyek végezhetik. A teljes folyamatnak szakmai felügyelet alatt kell történnie.

A következő pontokat kell figyelembe venni akkuk szállításakor:

Biztosítsa, hogy a rövidzárlatok elkerülése érdekében az érintkezők védve és szigetelve legyenek. Ügyeljen arra, hogy az akkucsomag ne tudjon elcsúszni a csomagoláson belül. Tilos sérült vagy kifolyt akkukat szállítani. További útmutatásokért forduljon szállítmányozási vállalatához.

## CE-AZONOSSÁGI NYILATKOZAT

Kizárólagos felelőségünk alapján kijelentjük, hogy a „Műszaki adatok” fejezetben leírt termék megfelel a irányelvek összes vonatkozó rendelkezésének

2011/65/EU RoHS, 2006/42/EK, 2014/30/EU, 2014/53/EU harmonizált szabvány és a

EN 62841-1:2015

EN 62479:2010

EN 60950-1:2006+A11:2009+A1:2010+A12:2011+AC:2011+A2:2013

EN 55014-1:2006+A1:2009+A2:2011

EN 55014-2:2015

EN 50581:2012

EN 301 489-1 V1.9.2 (2011-09)

EN 301 489-17 V2.2.1 (2012-09)

EN 300 328 V1.9.1 (2015-02)



Winnenden, 2017-05-03

Alexander Krug / Managing Director

Műszaki dokumentáció összeállításra felhatalmazva

Techtronic Industries GmbH

Max-Eyth-Straße 10, 71364 Winnenden, Germany

## SZIMBÓLUMOK



Kérjük alaposan olvassa el a tájékoztatót mielőtt a gépet használja.



FIGYELMEZTETÉS!  
Elhajított tárgyak!



Munkavégzés közben ajánlatos védőszemüveget viselni.



Áramütés veszélye áll fenn



FIGYELEM! FIGYELMEZTETÉS! VESZÉLY!



Karbantartás, javítás, tisztítás, stb. előtt az akkumulátort ki kell venni a készülékből.



Tartsa távol a vágószerszámoktól és a többi mozgó résztől kezeit. Ujjai bejuthatnak a vágórendszerbe és levágásuk vagy sérülésük veszélye áll fenn.



Azokat a tartozékokat, amelyek gyárilag nincsenek a készülékhez mellékelve, külön lehet megrendelni.



Az elektromos eszközöket nem szabad a háztartási hulladékkal együtt ártalmatlanítani. Az elektromos és elektronikus eszközöket szelektíven kell gyűjteni, és azokat környezetbarát ártalmatlanítás céljából hulladékhasznosító üzemben kell leadni. A helyi hatóságoknál vagy szakkereskedőjénél tájékozódjon a hulladékudvarokról és gyűjtőhelyekről.



CE-jelölés



UkrSEPRO megfelelőségi jelzés.



Eurázsiai megfelelőségi jelzés.



TEHNIČNI PODATKI	M18 HCC45
<b>Rezalnik kablov</b>	
Proizvodna številka	4587 00 01... ... 000001-999999
Napetost izmenljivega akumulatorja	18 V
Lisovacia sila	77,8 kN
Območje rezanja Odvisno od vrste kabla	maks. Ø 44 mm
ACSR: Aluminij-/Ocelov <sup>2</sup> lan <sup>2</sup> Baker / Aluminij	
Teža po EPTA-proceduri 01/2003 (Li-Ion 2,0 Ah)	6,0 kg
<b>Informacije o hrupnosti</b>	
Vrednosti merjenja ugotovljene ustrezno z EN 62841. Raven hrupnosti naprave ovrednotena z A, znaša tipično:	
Nivo zvočnega tlaka (Nevarnost K=3dB(A))	76,9 dB(A)
Višina zvočnega tlaka (Nevarnost K=3dB(A))	87,9 dB(A)
<b>Nosite zaščito za sluh!</b>	
<b>Informacije o vibracijah</b>	
Skupna vibracijska vrednost (Vektorska vsota treh smerdoločena ustrezno EN 62841.	
Vibracijska vrednost emisija <sub>h</sub>	1,2 m/s <sup>2</sup>
Nevarnost K=	1,5 m/s <sup>2</sup>



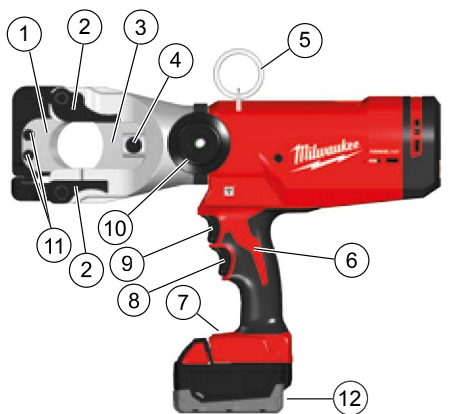
### OPAZORILO!

V teh navodilih navedena raven tresljajev je bila izmerjena po EN 62841 normiranem merilnem postopku in lahko služi medsebojni primerjavi električnih orodij. Prav tako je primeren za predhodno oceno obremenitve s tresljaji.

Navedena raven tresljajev navaja najpomembnejše vrste rabe električnega orodja. Kadar se električno orodje uporablja za drugačne namene, z odstopajočimi orodji ali pa z nezadostnim vzdrževanjem, lahko raven tresljajev tudi odstopa. Le to lahko čez celoten delovni čas znatno zviša obremenitev s tresljaji.

Za natančno oceno obremenitve s tresljaji naj bi se upošteval tudi čas v katerem je naprava izklopljena ali sicer teče, vendar dejansko ni v rabi. Le to lahko obremenitev s tresljaji čez celoten delovni čas znatno zmanjša.

Za zaščito upravljalca pred učinkom tresljajev uvedite dodatne zaščitne ukrepe npr.: Vzdrževanje električnega orodja in orodja, delo s toplimi rokami, organizacija delovnih potekov.



### Opis naprave

- |                             |  |
|-----------------------------|--|
| 1 Predna rokočev            | 7 Lučka LED                            |
| 2 Páky na uvoľnenie čeluste | 8 Povratno stikalo                     |
| 3 Zadná rokočev             | 9 Sprožilo                             |
| 4 Zadrživači kolik čepele   | 10 Dodatni ročaj                       |
| 5 Háčik                     | 11 5 mm skrutky s vnútorným šestštrnom |
| 6 Ročaj orodja              | 12 Baterije                            |

**OPAZORILO** Preberite vse varnostne napotke, navodila, prikaze in podatke, ki ste jih prejeli skupaj z napravo. Napake zaradi neupoštevanja spodaj navedenih opozoril in napotil lahko povzročijo električni udar, požar in/ali težke telesne poškodbe.

**Vsa opozorila in napotila shranite, ker jih boste v prihodnje še potrebovali.**

### VARNOSTNA NAVODILA ZA REZALNIK KABLOV

Za zmanjšanje tveganja eksplozij, električnega udara, materialne škode in poškodb na napravi, nikoli ne režite električnih napeljav, ki so pod električno napetostjo. Orodje NI izolirano.

Z rokami in ohlapnimi oblačili se ne približujte rezalnemu orodju in drugim premikajočim se delom. Obstaja nevarnost hudih telesnih poškodb ali trganja udov.

Priporočajo se zaščitna oblačila, kot npr. maska za zaščito proti prahu, zaščitne rokavice, trdno in neдрseče obuvanje, čelada in zaščita za sluh.

Uporabite zaščitno opremo. Pri delu z nožem za kable vedno nosite zaščitna očala.

Preprečite neželene vklop noža za kable. Pred priključitvijo na nadomestni akumulator se prepričajte, da je sprožilo zavarovano z blokado vklopa.

Noža za kable nikoli ne držite za rezilne čeljusti.

Pred vsako uporabo preverite nož za kable glede razpok in drugih vidnih sledi obrabe.

Nož za kable, nadomestni akumulator in polnilnik uporabljajte samo v tehnično brezhibnem stanju.

Poškodbe dajte takoj popraviti v avtoriziranemu strokovnemu obratu.

Pred vsemi deli na stroji odstranite izmenljivi akumulator.

Nož za kable je dovoljeno uporabljati samo z vstavljenim rezilnim orodjem.

Praden začnete rezati, odstranite uporabljena nastavivna orodja ali ključe.

Za preprečevanje telesnih poškodb ali škode orodja, nadomestnega akumulatorja ali polnilnika nikoli ne potaplajte v tekočino ali dovolite, da tekočina vstopi vanje.

Nož za kable držite za oba ročaja.

Pri motnjah med rezanjem takoj izpustite sprožilno in pritisnite povratno stikalo hidravlike.

Ventil se odpre in bat se vrne nazaj v izhodiščni položaj.

## PREOSTALE NEVARNOSTI

Pred začetkom postopka rezanja mora biti v skladu z lokalnimi predpisi nameščena zapora za dostop.

Režite samo kable, ki niso pod napetostjo.

Kábele a laná nesmú byť vystavené mechanickým silám.

Pri neupoštevanju obstaja nevarnost hudih telesnih poškodb, smrti, požara ali drugih materialnih škod zaradi električnega udara, eksplozije ali svetlobnega loka.

Nosite zaščitna očala.

## UPORABA V SKLADU Z NAMEMBNOŠTJO

Strihač káblrov je vhodný na delenie káblrov bez napätia z izolovanej medi alebo hliníka, ACSR lán (laná hliník/ocel), ocelových lán, vždy v závislosti od typu kábla.

Rezanje, resp. delenie káblrov a lán pomocou tohto strihača káblrov smie vykonávať iba elektrotechnicky vyškolená osoba.

Upravljalvec tega noža za kable se mora pred prvim opravilom in potem najmanj enkrat letno seznaniti s posebnimi nevarnostmi pri uporabi tega noža za kable in s potrebnimi varnostnimi ukrepi.

Lastnik mora:

- upravljalcu dati na voljo navodila za uporabo in
- se prepričati, da jih je upravljalvec prebral in razumel.

**⚠ OPOZORILO** Preberite vse varnostne napotke, navodila, prikaze in podatke, ki ste jih prejeli skupaj z napravo. Napake zaradi neupoštevanja spodaj navedenih opozoril in napotil lahko povzročijo električni udar, požar in/ali težke telesne poškodbe.

**Vsa opozorila in napotila shranite, ker jih boste v prihodnje še potrebovali.**

## UPORABA

### Priprava delovnega območja

Pred začatím práce musí byť vytvorený stav vodičov alebo lán bez napätia a musí í zostať zabezpečený po celú dobu trvania prác.

Če ní mogoče jasno zagotoviti, da sta kábel ali izolirana napeljava odklopljena, se dela ne smejo izvajati.

Je bezpodmielne nutné dodržiavať miestne bezpečnostné predpisy a nariadenia.

Kábele a laná nesmú byť vystavené mechanickým silám a popri prípade musia byť zabezpečené proti nekontrolovaným pohybom po vykonaní rezu.

Naprave ne izpostavljajte na dežju in je ne uporabljajte v vlažnem ali mokrem okolju.

### Priprava noža za kable in akumulatorja

Pred vsako uporabo:

- Preglejte nože za kable glede zunanjih pomanjkljivosti.
- Preverite rezilna orodja glede razpok in drugih vidnih sledi obrabe.

Uporabljajte samo v brezhibnem stanju!

Pred začetkom postopka rezanja je treba preveriti zmogljivost akumulatorja: najmanj 33 % (glejte opis slike).

Morda ga je treba pred začetkom dela napolniti.

### Priprava za postopek rezanja

Podprite a upevnite kábel alebo lano, ktoré chcete rezati, aby sa minimalizovalo riziko nekontrolovaného pohybu.

Najmä nadzemné vedenia a laná sa môžu nekontrolovane uviesť do pohybu a spôsobiť zranenia a / alebo poškodenia.

Rezná hlava musí byť priložená v uhle 90° ku káblu alebo lanu tak, aby sa bez napätí polohoval/o v otvorených závitových čelustihách a aby sa zabránilo nepriaznivým strihovým silám.

**⚠ OPOZORILO:** Za zmanjšanje tveganja eksplozij, električnega udara, materialne škode in poškodb na napravi, nikoli ne režite električnih napeljav, ki so pod električno napetostjo.

**Orodje NI izolirano. Stik s tokokrogom, ki je pod električno napetostjo, lahko povzroči hude telesne poškodbe in smrt. Vedno prekinite dovajanje električne energije, preden začnete rezati. Nikoli ne režite plinske ali vodne napeljave. Rok ne približujte rezilnim orodjem in drugim premičnim delom. Obstaja nevarnost hudih telesnih poškodb ali odtrganja udov.**

**Vedno odstranite nadomestni akumulator, preden dele pribora zamenjate ali odstranite. Uporabljajte izključno pribor, ki je posebej priporočen za to orodje. Uporaba drugega pribora je nevarna.**

**Za zmanjšanje telesnih poškodb vedno nosite zaščitna očala ali očala s stransko zaščito.**

**⚠ OPOZORILO:** Za zmanjšanje tveganj telesnih poškodb režite samo materiale, ki so primerni za rezila. (glejte „Tehnični podatki“) Ne poskušajte rezati drugih materialov.

### Rezanje káblrov

• Pred rezanjem se prepričajte, da so rezila pravilno nameščena.

1. Kábel vedte v pravom uhle k ostriam strihača káblrov. Ne delajte poševnih rezov, ker bi to lahko poškodovalo orodje in rezila.

2. Orodje med ročnim upravljanjem držite za oba ročaja.

Pritisnite sprožilno in ga med opravilom držite pritisnjene.

Ko pritisnete sprožilno, se vklopi lučka LED.

Keď je rez hotový alebo sa nástroj vypne, spúšťač znovu uvoľnite a stlačte resetovacie tlačidlo, aby sa otvorili závitové čeluste.

*Napotek: Mogoče je, da se kábel med rezanjem nekoliko premika.*

### Ravnanje ob motnjah

- Kábel môže byť narezaný a byť pod napätím, vždy informujte bezpečnostného technika, prerušite proces rezania, urobte vhodné bezpečnostné opatrenia





- Pred približevanjem in dotikanjem noža za kable se vedno prepričajte, da naprava ni in ne bo pod napetostjo
- Povratno stikalo držite pritisnjeno, dokler se rezila popolnoma ne odprejo.
- Preverite zmogljivost akumulatorja.
- Preverite material in debelino materiala na podlagi tehničnih podatkov
- Če sumite, da režete kabl, ki je pod napetostjo, je treba nož za kable preveriti v pooblašeni servisni delavnici.

### Zataknjene rezilne čeljusti

Umazanja in obloge lahko privedejo do tega, da se rezila po rezu zataknejo.

- Pritisnite povratno stikalo in ga držite pritisnjena, da zagotovite, da naprava ni pod tlakom.
- Odstranite nadomestni akumulator.
- Pre otvorenje zavitovih čeljusti postupujte podľa opisu na obrázku
- Z rezilnih čeljusti odstranite umazanje in obloge, preden izvedete naslednji rez.

### Nasveti za rezanje kablov

- Ne delajte posebnih rezov, ker bi to lahko poškodovalo orodje in rezila.
- Režite samo čiste kable, da podaljšate življenjsko dobo rezil. Pred rezanjem s kablov in rezil odstranite umazanje in obloge.

### VZDRŽEVANJE

Pred vsemi deli na stroji odstranite izmenljivi akumulator.

Nikoli ne odpirajte noža za kable, nadomestnega akumulatorja ali polnilnika.

Preverite nož za kable glede morebitnih težav, kot je zvok ali zataknevanje premičnih delov, ki bi lahko ovirali orodje.

Preverite rezilna orodja glede razpok in drugih vidnih sledi obrabe.

Po končanih delih rezilna orodja očistite in namastite.

Pazite na ostre rezilne čeljusti oziroma obrabljene rezilne čeljusti nadomestite z novimi.

Zamenjajte rezila, ko postanejo lomljiva ali so vidno poškodovana. Rezila vedno zamenjajte v pari. Uporabljajte samo rezila MILWAUKEE.

Preverite, ali se rezilna orodja pomikajo z lahkoto.

Za preprečevanje telesnih poškodb ali škode orodja nadomestnega akumulatorja ali polnilnika nikoli ne potaplajte v tekočino in ne dovolite, da tekočina vstopi vanje.

Pazite na to, da so prezačevalne reže stroja vedno čiste.

Naprava vsebuje hidravlično olje, ki predstavlja nevarnost za podtalnico. Nenadzorovan izpust ali nestrokovno odstranjevanje je kaznivo.

Na napravi je treba vzdrževanje opraviti vsakih šest mesecev, do največ enkrat letno, odvisno od uporabe.

Več informacij o časovnih intervalih vzdrževanja najdete prek aplikacije ONE-KEY.

Vzdrževalna dela in popravila se lahko izvajajo zgolj s strani avtoriziranega strokovnega obrata.

Uporabljajte samo Milwaukee pribor in Milwaukee nadomestne dele. Poskrbite, da sestavne dele, katerih zamenjava ni opisana, zamenjajo v Milwaukee servisni službi (upoštevajte brošuro Garancija aslovi servisnih služb).

Po potrebi se lahko pri vaši servisni službi ali direktno pri Techtronic Industries GmbH naroči eksplozijska risba naprave ob navedbi tipa stroja in številke s tipske ploščice Techtronic Industries GmbH, Max-Eyth-Straße 10, 71364 Winnenden, Germany.

### ONE-KEY™

Več o delovanju ONE-KEY tega orodja najdete na priloženih navodilih za hiter začetek ali obiščite spletno mesto <http://www.milwaukeeetool.com/one-key>

Aplikacijo ONE-KEY si lahko snamete na pametni telefon v trgovini App Store ali Google Play.

Keď dôjde k elektrostatickému výboju, komunikácia Bluetooth bude odpojená a rozhranie aplikácie sa ukončí. Žiadne použité aplikácie 45 sekúnd. Po 45 sekundách je pre obnovenie potrebnej aplikácie resetovať." Uvažovali sme výsledok, ktorý má byť v rámci našej minimálnej prijateľnej úrovne výkonnosti podľa EN 301489-1 / EN 301489-17. A zákazníkovi dáme prevádzkové pokyny v užívateľskej príručke.

### AKUMULATORJI

Temperatura nad 50°C zmanjšuje zmogljivost izmenljivega akumulatorja. Izogibajte se daljšemu segrevanju zaradi sončnih žarkov ali gretja.

Pazite, da ostanejo priključni kontakti na polnilnem aparatu in izmenljivem akumulatorju čisti.

za optimalno življenjsko dobo je potrebno akumulatorje po uporabi do konca napolniti. Izmenljive akumulatorje, ki jih daljši čas niste uporabljali, pred uporabo naknadno napolnite.

Za čim daljšo življenjsko dobo naj se akumulatorji po napolnitvi vzamejo ven iz naprave za polnjenje.

Pri skladiščenju akumulatorjev dalj kot 30 dni; Akumulator skladiščiti pri 27°C in na suhem., Akumulator skladiščiti pri 30%-50% stanja polnjenja., Akumulator spet napolniti vsakih 6 mesecev.

Izrabljenih izmenljivih akumulatorjev ne mečite v ogenj ali v gospodinjstvo odpadke. Milwaukee nudi okolju prijazno odlaganje starih izmenljivih akumulatorjev; prosimo povprašajte vašega strokovnega trgovca.

Izmenljivih akumulatorjev ne hranite skupaj s kovinskimi predmeti (nevarnost kratkega stika).

Izmenljive akumulatorje sistema M18 polnite samo s polnilnimi aparati sistema M18. Ne polnite nobenih akumulatorjev iz drugih sistemov.

### TRANSPORT LITIJ-IONSkih AKUMULATORJEV

Litij-ionski akumulatorji so podvrženi zakonskim določbam transporta nevarnih snovi.

Transport teh akumulatorjev se mora izvajati upoštevajoč lokalne, nacionalne in mednarodne predpise in določbe.

Potrošniki lahko te akumulatorje še nadalje transportirajo po cesti.

Komercialni transport litij-ionskih akumulatorjev s strani špediterskih podjetij je podvržen določbam transporta nevarnih snovi. Priprava odpreme in transporta se lahko vrši izključno s strani ustrezno izsolanih oseb. Celoten proces je potrebno strokovno spremljati.

Pri transportu akumulatorjev je potrebno upoštevati sledeče točke:

V izogib kratkim stikom zagotovite, da bodo kontakti zaščiteni in izolirani. Bodite pozorni na to, da paket akumulatorja v notranjosti embalaže ne bo mogel zdrsniti. Poškodovanih ali iztekajočih akumulatorjev ni dovoljeno transportirati. Za nadaljnja navodila se obrnite na vaše špeditersko podjetje.



## CE-IZJAVA O KONFORMNOSTI

S polno odgovornostjo izjavljamo, da izdelek, opisan pod „Tehnični podatki“ izpolnjuje vse ustrezne določbe direktiv 2011/65/EU RoHS, 2006/42/ES, 2014/30/EU, 2014/53/EU ter da so bili uporabljeni naslednji harmonizirani standardi

EN 62841-1:2015

EN 62479:2010

EN 60950-1:2006+A11:2009+A1:2010+A12:2011+AC:2011+A2:2013

EN 55014-1:2006+A1:2009+A2:2011

EN 55014-2:2015

EN 50581:2012

EN 301 489-1 V1.9.2 (2011-09)

EN 301 489-17 V2.2.1 (2012-09)

EN 300 328 V1.9.1 (2015-02)



Winnenden, 2017-05-03

Alexander Krug / Managing Director  
Pooblaščen za izdelavo spisov tehnične dokumentacije.

Techtronic Industries GmbH  
Max-Eyth-Straße 10, 71364 Winnenden, Germany

## SIMBOLI



Prosimo, da pred uporabo pozorno preberete to navodilo za uporabo.



**OPOZORILO!**  
Zavarujte se pred odbitimi in letečimi predmeti



Pri delu s strojem vedno nosite zaščitna očala.



Nevarnost električnega udara



**POZOR! OPOZORILO! NEVARNO!**



Pred vsemi deli na stroji odstranite izmenljivi akumulator.



Z rokami ne segajte v bližino rezalnega orodja ali drugih premikajočih se delov. Prsti lahko zaidejo v rezalni mehanizem, ki jih lahko odreže ali poškoduje.



Oprema – ni vsebovana v obsegu dobave, priporočeno dopolnilo iz programa opreme.



Električnih naprav ni dovoljeno odstranjevati skupaj z gospodinjstskimi odpadki. Električne in elektronske naprave je potrebno zbirati ločeno in za okolju prijazno odstranitev, oddati podjetju za reciklažo. Pri krajevnem uradu ali vašem strokovnem prodajalcu se pozanimajte glede reciklažnih dvorišč in zbirnih mest.



CE-znak



UkrSEPRO oznaka o skladnosti.



EurAsian oznaka o skladnosti.



TEHNIČKI PODACI	M18 HCC45
Rezač kabela	
Broj proizvodnje	4587 00 01... ... 000001-999999
Napon baterije za zamjenu	18 V
sila stiskanja	77,8 kN
Područje rezanja Ovisi o vrsti kabela	max. Ø 44 mm
ACSR: Aluminij-/Čelična užad Bakar / Aluminij	
Težina po EPTA-proceduri 01/2003 (Li-Ion 2,0 Ah)	6,0 kg
<b>Informacije o buci</b>	
Mjerne vrijednosti utvrđene odgovarajuće EN 62841. A-ocijenjeni nivo buke aparata iznosi tipično:	
Nivo pritiska zvuka (Nesigurnost K=3dB(A))	76,9 dB(A)
Nivo učinka zvuka (Nesigurnost K=3dB(A))	87,9 dB(A)
<b>Nositi zaštitu sluha!</b>	
<b>Informacije o vibracijama</b>	
Ukupne vrijednosti vibracije (Vektor suma tri smjersu odmerjene odgovarajuće EN 62841	
Vrijednost emisije vibracije <sub>h</sub>	1,2 m/s <sup>2</sup>
Nesigurnost K=	1,5 m/s <sup>2</sup>



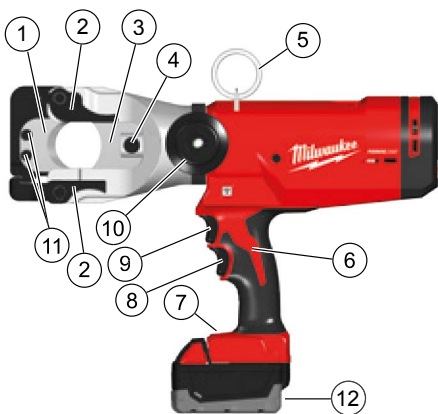
### UPOZORENIE!

Ova u ovim uputama navedena razina titranja je bila izmjerena odgovarajuće jednom u EN 62841 normiranom mjernom postupku i može se upotrijebiti za usporedbu električnog alata međusobno. Ona je prikladna i za privremenu procjenu titrajnog opterećenja.

Navedena razina titranja reprezentira glavne primjene električnog alata. Ukoliko se električni alat upotrebljava u druge svrhe sa odstupajućim primijenjenim alatima ili nedovoljnim održavanjem, onda razina titranja može odstupati. To može titrajno opterećenje kroz cijeli period rada bitno povišiti.

Za točnu procjenu titrajnog opterećenja se moraju uzeti u obzir i vremena u kojima je uređaj isključen ili u kojima doduše radi, ali nije i stvarno u upotrebi. To može titrajno opterećenje bitno smanjiti za vrijeme cijelog radnog perioda.

Utvrđite dodatne sigurnosne mjere za zaštitu poslužioca protiv djelovanja titranja kao npr.: Održavanje električnih alata i upotrebljenih alata, održavanje topline ruku, organizacija i radne postupke.



### Opis proizvoda

- |                                     |                                     |
|-------------------------------------|-------------------------------------|
| ① Prednja oštrica                   | ⑦ LED                               |
| ② Prekidači za oslobađanje čeljusti | ⑧ Okidač za resetiranje             |
| ③ Stražnja oštrica                  | ⑨ Okidač                            |
| ④ Držač oštrice                     | ⑩ Dodatna drška                     |
| ⑤ Nosač                             | ⑪ 5 mm Vijci sa šesterkutnom glavom |
| ⑥ Držak uređaja                     | ⑫ Akumulator                        |

**⚠ UPOZORENIE** Pročitajte sve sigurnosne upute, napomene, prikaze i podatke koje dobijete uz uređaj. Ako se ne bi poštivale napomene o sigurnosti i upute to bi moglo uzrokovati strujni udar, požar i/ili teške ozljede.

**Sačuvajte sve napomene o sigurnosti i upute za buduću primjenu.**

### ⚠ SIGURNOSNE UPUTE ZA REZAČE KABELA

Kako biste smanjili rizik od eksplozije, strujnog udara ili oštećenje imovine i opreme, nikada ne sječite kabele pod električnim naponom. Alat NIJE izoliran.

Ruke i odjeću nepripijenu uz tijelo držati dalje od alatki za rezanje i drugih pokretnih dijelova. Postoji opasnost od teških ozljeda uključujući otkidanje ekstremiteta.

Preporučuje se zaštitna odjeća, kao zaštitna maska protiv prašine, zaštitne rukavice, čvrste i protiv klizanja sigurne cipele, šljem i zaštitu sluha.

Upotrebljavati zaštitnu opremu. Tijekom rada sa sjekačem kabela uvijek nosite zaštitne naočale.

Spriječite slučajno aktiviranje sjekača kabela. Uvjerite se da je okidač prije priključivanja na zamjensku bateriju osiguran putem blokade uključivanja.

Sjekač kabela nikada ne držite za čeljusti za sječenje.

Provjerite prije svake upotrebe imaju li čeljusti za sječenje napuklina ili znakova pohabanosti.

Koristite sjekač kabela, zamjensku bateriju i punjač samo ako su u besprijekornom stanju.

Oštećenja odmah dati na popravak autoriziranoj stručnoj radionici. Prije svih radova na stroju izvaditi bateriju za zamjenu.

Sjekač kabela smije se koristiti samo s umetnutnim alatom za sječenje.

Prije sječenja uklonite sve korištene alate i ključeve.

Kako biste izbjegli ozljede, nikada ne uranjajte alatku, zamjensku bateriju ili punjač u tekućinu odnosno na dozvolite da tekućina dospije u njih.

Sjekač kabela držite za obje ruke.

U slučaju smetnji za vrijeme sječenja, odmah pustite okidač i pritisnite gumb za resetiranje hidraulike.

Ventil se otvara a klip se vraća na polaznu poziciju.

### PREOSTALE OPASNOSTI

Prije postupka sječenja mora se sukladno lokalnim propisima postaviti ograda za onemogućavanje pristupa.

Sjecite samo kabele koji nisu pod naponom.

Kablovi i užad ne smiju se izlagati mehaničkim silama.

U slučaju ignoriranja ovog upozorenja može doći do ozbiljne ozljede, smrti, požara i druge materijalne štete usljed strujnog udara, eksplozije i/ili električnog luka.

Nositi zaštitne naočale.

### PROPISNA UPOTREBA

Rezač kabela namijenjen je razdvajanju kabela od bakra ili aluminijskih koji nisu pod naponom, ACSR užadi (užad od aluminijska/čelika), čeličnih užadi ovisno o tipu kabela.

Rezanje odn. razdvajanje kabela i užadi pomoću ovoga rezača kabela smije obavljati samo osoba koja se razumije u elektrotehniku.

Rukovatelj ovog sjekača kabela mora prije prvog rukovanja te nakon toga, najmanje jednom godišnje, biti poučen o naročitim opasnostima tijekom rukovanja uređajem te o potrebnim sigurnosnim mjerama.

Tvrtka mora:

- rukovatelju osigurati pristup uputama za rukovanje i
- osigurati da ih rukovatelj pročita i razumije.

**⚠ UPOZORENIE** Pročitajte sve sigurnosne upute, napomene, prikaze i podatke koje dobijete uz uređaj. Ako se ne bi poštivala napomene o sigurnosti i upute to bi moglo uzrokovati strujni udar, požar i/ili teške ozljede.

**Sačuvajte sve napomene o sigurnosti i upute za buduću primjenu.**

### PRIMJENA

#### Pripremanje radnog područja

Prije početka posla nužno je osigurati da vodovi ili užad ne budu pod naponom te da tako ostane tijekom cijelog vremena trajanja radova.

Ukoliko se ne može bez sumnje utvrditi isključeni kabel ili isključeni izolirani vod, ne smije se obavljati posao.

Obvezno se moraju poštovati lokalni sigurnosni propisi i pravila.

Kablovi i užad ne smiju se izlagati mehaničkim silama te moraju po potrebi biti osigurani protiv nekontroliranog pomicanja nakon sječenja.

Pumpa ne smije biti izložena kiši niti se smije koristiti u mokroj ili vlažnoj sredini.

#### Priprema sjekača kabela i baterije

Prije svake upotrebe:

- Provjerite ima li sjekač kabela vanjskih oštećenja
- Provjerite prije svake upotrebe imaju li čeljusti za sječenje napuklina ili znakova pohanosti

Koristite alat samo u savršenom stanju!

Prije postupka sječenja mora se provjeriti kapacitet baterije: minimalno 33% (vidi opis na slici).

Možda će se morati napuniti prije početka posla.

#### Priprema za proces sječenja

Poduprite ili fiksirajte kabel ili uže koje sijećete kako biste minimizirali rizik nekontroliranog pomicanja.

Naročito kod slobodnih vodova i užadi postoji mogućnost nekontroliranog pomicanja te posljedičnih ozljeda i/ili oštećenja.

Rezna glava mora se postaviti pod kutom od 90° u odnosu na kabel ili uže tako da ona bez natezanja uđe u reznu čeljust te se izbjegnu nepovoljne sile smicanja.

**⚠ UPOZORENIE:** Kako biste smanjili rizik od eksplozije, strujnog udara ili oštećenje imovine i opreme, nikada ne sjecite kabele pod električnim naponom.

**Alat NIJE izoliran. Kontakt sa strujnim vodom pod naponom može prouzročiti ozbiljne ozljede ili smrt. Isključite dovod struje prije sječenja. Nikada ne sjecite plinske ili vodovodne vodove. Držite ruke dalje od alata za sječenje i pokretnih dijelova. Postoji opasnost od teških ozljeda ili amputacije ekstremiteta.**

**Uvijek uklonite bateriju prije mijenjanja ili uklanjanja pribora. Koristiti isključivo pribor preporučan za ovu alatku. Korištenje drugog pribora može biti opasno.**

**Kako biste smanjili rizik od ozljeda, nosite zaštitne rukavice ili naočale s bočnom zaštitom.**

**⚠ UPOZORENIE:** Da biste umanjili rizik ozljede samo režite preporučene materijale za oštrice. (pogledajte „Tehničke podatke“) Ne pokušavajte sjeći druge materijale.

#### Sječenje

• Uvjerite se prije sječenja da su oštrice ispravno postavljene.

1. Postavite kabel pod pravim kutom na oštrice rezača kabela. Ne pokušavajte izvoditi rezove pod kutom jer će to oštetiti kabel i oštrice.

2. Čvrsto držite ručku/e.

Povucite i držite okidač tijekom rukovanja.

LED svjetlo će se upaliti kad je okidač povučen.

Kad je rez obavljen ili uređaj isključen, pustite ponovno okidač i aktivirajte prekidač za resetiranje kako bi se otvorile rezne čeljusti.

*Napomena: Obradak se može blago pomaknuti tijekom sječenja.*

#### Postupci u slučaju grešaka

• kabel može biti zasječen i pod naponom, odmah informirajte osobu zaduženu za sigurnost, prekinite rezanje, poduzmite odgovarajuće sigurnosne mjere

• Uvijek se pobrinite da je uređaj isključen i da će ostati isključen iz napajanja strujom prije prilaska i dodirivanja uređaja

• pritisnite i držite gumb za resetiranje dok se sjekač u potpunosti ne otvori



- provjerite kapacitet baterije
- provjerite materijal i njegovu gustoću na osnovi tehničkih podataka
- Ako se sumnja da je kabel pod naponom, sjekač kabela treba biti provjeren od strane ovlaštene specijalizirane radionice

### Zakočene oštrice

Prljavišina i nakupine mogu uzrokovati da se oštrice zakače jedna za drugu nakon sječenja

- Pritisnite i držite okidač za resetiranje da biste resetirali alatku.
- Izvadite baterije.
- Slijedite upute na slikovnom prikazu za otvaranje rezne čeljusti
- Očistite svu prljavištinu i nakupine s oštrica prije započinjanja novog sječenja.

### Savjeti za sječenje

- Ne pokušavajte izvoditi rezove pod kutom jer će to oštetiti kabel i oštrice.
- Sijecite čistim materijal da biste produžili životni vijek oštrice. Obrišite prljavištinu i nakupine s materijala i oštrica prije započinjanja sječenja.

### ODRŽAVANJE

Prije svih radova na stroju izvaditi bateriju za zamjenu.

Nikad ne otvarajte sjekač kabela, zamjenjive baterije ili punjač.

Provjerite ima li sjekač kablova bilo kakvih problema kao što je buka ili zahtjevanje pomjerajućih dijelova koji bi mogli utjecati na funkcioniranje alatke.

Provjerite imaju li alatke za sječenje napuklina ili znakova pohabanosti.

Nakon završenog posla očistite i podmažite alatke za sječenje.

Provjerite jesu li oštrice za sječenje oštre te zamijenite istrošene čeljusti za sječenje.

Zamijenite oštrice kad postanu okrnjene ili oštećene. Uvijek zamijenite cijeli set oštrica. Upotrebljavajte samo MILWAUKEE oštrice.

Provjerite mogu li se alatke za sječenje slobodno pomjerati.

Kako biste izbjegli ozljede, nikada ne uranjajte alatku, zamjensku bateriju ili punjač u tekućinu odnosno ne dozvolite da tekućina dospjeje u njih.

Proreze za prozračivanje stroja uvijek držati čistima.

Uređaj sadrži hidrauličko ulje, koje predstavlja opasnost za podzemnu vodu. Nekontrolirano ispuštanje i nestručno zbrinjavanje se kažnjava.

Uređaj treba održavati svakih šest do dvanaest mjeseci, ovisno o upotrebi.

Više informacija o intervalima održavanja možete naći preko ONE-KEY aplikacije.

Radove održavanja i popravke smiju izvoditi samo autorizirane stručne radionice.

Primijeniti samo Milwaukee opremu i Milwaukee rezervne dijelove. Sastavne dijelove, čija zamjena nije opisana, dati zamijeniti kod jedne od Milwaukee servisnih službi (poštivati brošuru Garancija/ Adrese servisa).

Po potrebi se može zatražiti crtež eksplozije aparata uz davanje podataka o tipu stroja i desetoznamenkastog broja na pločici snage kod Vaše servisne službe ili direktno kod Techtronic Industries GmbH, Max-Eyth-Straße 10, 71364 Winnenden, Germany.

### ONE-KEY™

Kako biste više saznali o ONE-KEY funkcionalnosti ove alatke, pročitajte priloženu uputu za brzi početak ili nas posjetite na internetu na <http://www.milwaukeeetool.com/one-key>

Aplikaciju ONE-KEY možete preuzeti na vaš pametni telefon preko App Store ili Google Play.

Nakon što dođe do elektrostatičnog pražnjenja Bluetooth veza će se isključiti i ugasit će se sučelje aplikacije. Aplikacija se neće moći koristiti 45 sekundi. Nakon 45 s aplikacija treba da se pokrene iznova da bi se obnovila." Uvjerili smo se da je rezultat u skladu s našom najnižom prihvatljivom razinom djelovanja prema EN 301489-1/ EN 301489-17. I dostavit ćemo smjernice za uporabu kupcu u uputstvu za uporabu.

### BATERIJE

Temperatura od preko 50°C smanjuje učinak baterija. Duže zagrijavanje od strane sunca ili grijanja izbjeci.

Priključne kontakte na uređaju za punjenje i baterijama držati čistima.

Za optimalni vijek trajanja se akumulatori poslije upotrebe moraju sasvim napuniti. Baterije koje duže vremena nisu korištene, prije upotrebe napuniti.

Za što moguće duži vijek trajanja, akumulatori se nakon punjenja moraju odstraniti iz punjača.

Kod skladištenja akumulatora duže od 30 dana: Akumulator skladištiti na suhom kod ca. 27°C., Akumulator skladištiti kod ca. 30%-50% stanja punjenja., Akumulator ponovno napuniti svakih 6 mjeseci.

Istrošene baterije za zamjenu ne bacati u vatru ili u kućno smeće. Milwaukee nudi mogućnost uklanjanja starih baterija odgovarajuće okolini. Milwaukee nudi mogućnost uklanjanja starih baterija odgovarajuće okolini; upitajte molimo Vašeg stručnog trgovca.

Baterije za zamjenu ne čuvati skupa sa metalnim predmetima (opasnost od kratkog spoja).

Baterije sistema M18 puniti samo sa uređajem za punjenje sistema M18. Ne puniti baterije iz drugih sistema.

### TRANSPORT LITIJSKIH IONSKIH BATERIJA

Litijske-ionske baterije spadaju pod zakonske odredbe u svezi transporta opasne robe.

Prijevoz ovih baterija mora uslijediti uz poštivanje lokalnih, nacionalnih i internacionalnih propisa i odredaba.

Korisnici mogu bez ustručavanja ove baterije transportirati po cestama.

Komercijalni transport litijsko-ionskih baterija od strane transportnih poduzeća spada pod odredbe o transportu opasne robe. Otpremničke pripreme i transport smiju izvoditi isključivo odgovarajuće školovane osobe. Kompletni proces se mora pratiti na stručan način.

Kod transporta baterija se moraju poštivati sljedeće točke:

Uvjerite se da su kontakti zaštićeni i izolirani kako bi se izbjegli kratki spojevi. Pazite na to, da blok baterija unutar pakiranja ne može proklizavati. Oštećene ili iscrpne baterije se ne smiju transportirati. U svezi ostalih uputa obratite se vašem prijevoznom poduzeću.



## CE-IZJAVA KONFORMNOSTI

Izjavljujemo pod vlastitom odgovornošću da proizvod opisan u odjeljku „Tehnički podaci“ ispunjava sve potrebne odredbe smjernica 2011/65/EU RoHS, 2006/42/EC, 2014/30/EU, 2014/53/EU i da su korišteni sljedeći usklađeni standardi

EN 62841-1:2015

EN 62479:2010

EN 60950-1:2006+A11:2009+A1:2010+A12:2011+AC:2011+A2:2013

EN 55014-1:2006+A1:2009+A2:2011

EN 55014-2:2015

EN 50581:2012

EN 301 489-1 V1.9.2 (2011-09)

EN 301 489-17 V2.2.1 (2012-09)

EN 300 328 V1.9.1 (2015-02)



Winnenden, 2017-05-03

Alexander Krug / Managing Director

Ovlašten za formiranje tehničke dokumentacije.

Techtronic Industries GmbH

Max-Eyth-Straße 10, 71364 Winnenden, Germany

## SIMBOLI



Molimo da pažljivo pročitate uputu o upotrebi prije puštanja u rad.



**UPOZORENIE!**  
Opasnost od letećih dijelova.



Kod radova na stroju uvijek nositi zaštitne naočale.



Opasnost od strujnog udara



**PAŽNJA! UPOZORENIE! OPASNOST!**



Prije svih radova na stroju izvaditi bateriju za zamjenu.



Ruke i odjeću nepripijenu uz tijelo držati dalje od alatki za rezanje i drugih pokretnih dijelova. Prsti mogu dospjeti u mehanizam za rezanje te ih tako odsjeci ili povrijediti.



Oprema - u opsegu isporuke nije sadržana, preporučena dopuna iz promgrama opreme.



Električni uređaji se ne smiju zbrinjavati skupa sa kućnim smećem. Električni uređaji se moraju skupljati odvojeno i predati na zbrinjavanje primjereno okolišu jednom od pogona za iskorišćavanje. Raspitajte se kod mjesnih vlasti ili kod stručnog trgovca u svezi gospodarstva za recikliranje i mjesta skupljanja.



Oznaka-CE



UkrSEPRO znak konformnosti.



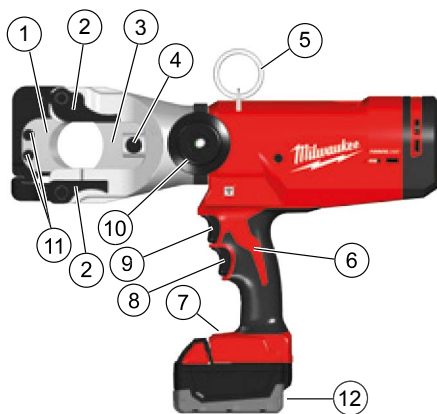
EurAsian znak konformnosti.



TEHNISKIE DATI	M18 HCC45
<b>Kabeļu griezējs</b>	
Izlaides numurs	4587 00 01... ... 000001-999999
Akumulātora spriegums	18 V
presēšanas spēks	77,8 kN
Griešanas diapazons Atkarībā no kabeļa veida	maksimālais Ø 44 mm
ACSR: Alumīnijs-/Tērauda troses Varš / Alumīnijs	
Svars atbilstoši EPTA -Procedure 01/2003 (Li-Ion 2,0 Ah)	6,0 kg
<b>Trokšņu informācija</b>	
Vērtības, kas noteiktas saskaņā ar EN 62841. A novērtētās aparatūras skaņas līmenis ir:	
Trokšņa spiediena līmenis (Nedrošība K=3dB(A))	76,9 dB(A)
Trokšņa jaudas līmenis (Nedrošība K=3dB(A))	87,9 dB(A)
<b>Nēsāt trokšņa slāpētāju!</b>	
<b>Vibrāciju informācija</b>	
Svārstību kopējā vērtība (Trīs virzienu vektoru summtiek noteikta atbilstoši EN 62841.	
svārstību emisijas vērtība <sub>h</sub>	1,2 m/s <sup>2</sup>
Nedrošība K=	1,5 m/s <sup>2</sup>



Lat



#### Ierīces apraksts

- |                             |                                 |
|-----------------------------|---------------------------------|
| ① Priekšējais asmens        | ⑦ Gaismas diode                 |
| ② Žokļu atbrīvošanas sviras | ⑧ Atbrīvotāja mēlīte            |
| ③ Aizmugurējais asmens      | ⑨ Mēlīte                        |
| ④ Asmens fiksācijas tapa    | ⑩ Papildu rokturis              |
| ⑤ Pakarināšanas osa         | ⑪ 5 mm seškantu iedobes skrūves |
| ⑥ Rokturis                  | ⑫ Baterija                      |

**⚠️ UZMANĪBU** Izlasiet visus drošības norādījumus, instrukcijas, attēlus un datus, ko saņemat kopā ar ierīci. Šeit sniegto drošības noteikumu un norādījumu neievērošana var izraisīt aizdegšanos un būt par cēloni elektriskajam triecienam vai nopietnam savainojumam.

**Pēc izlasīšanas uzglabājiet šos noteikumus turpmāki izmantošanai.**

#### ⚠️ DROŠĪBAS NORĀDĪJUMI, LIETOJOT KABEĻU GRIEZĒJU

Lai mazinātu eksplozijas, elektriskās strāvas trieciena draudus un risku sabojāt īpašumu vai ierīci, nekad nedrīkst griezt zem sprieguma esošus kabelus. Instruments nav elektriski izolēts.

Nepietuviniet rokas un brīvu apģērbu griezējinstrumentiem un citām kustīgām detaļām. Pastāv nopietnu savainojumu, tostarp ekstremitāšu zaudēšanas, risks.

Ieteicams nēsāt aizsargapģērbu, kā piemēram, aizsargmasku, aizsargcimdus, kurpes no stingra un neslidīga materiāla, ķiveri un asu aizsargus.

Jāizmanto aizsargaprīkojums. Strādājot ar kabeļu griezēju, vienmēr valkājiet aizsargbrilles.

Izvairieties no nejaušas kabeļu griezēja iedarbināšanas. Pirms pievienojat noņemamo akumulatoru, pārlicinieties, ka mēlīte ir nobloķēta ar fiksatoru.

Nekad nesatveriet kabeļu griezēju aiz griešanas žokļiem.

Pirms lietošanas pārlicinieties, ka griešanas žokļos nav plaisu vai cita veida bojājumu.

Kabeļu griezēju, akumulatoru un lādētāju atļauts izmantot tikai tad, ja tiem nav nekādu bojājumu.

Latviski

Bojājumu rašanās gadījumā nekavējoties nodot rīku labošanai specializētā servisā.

Pirms mašīnai veikt jebkāda veida apkopes darbus, ir jāizņem ārā akumulators.

Kabeļu griezēju pieļaujams izmantot tikai ar ievietotiem griešanas žokļiem.

Pirms griešanas aizvāciet visus montāžas rīkus un uzgriežņus atslēgas.

Lai izvairītos no savainojumiem un bojājumiem, instrumentu, akumulatoru vai lādētāju nekad nemērciet ūdenī un neļaujiet tajos iekļūt mitrumam.

Kabeļu griezēju turiet aiz abiem rokturiem.

Ja griešanas laikā rodas problēmas, nekavējoties atļaidiet slēdzi un piespiediet hidraulikas atietates pogu.

Atveras ventilis atveras un virzulis atgriežas sākuma pozīcijā.

## PĀRĒJIE RISKI

Pirms griešanas uzsākšanas darbības vieta jānorobežo atbilstoši vietējiem noteikumiem.

Driskst griezt tikai kabeļus, kas atvienoti no barošanas avota.

Kabeļus un troses nedrīkst ietekmēt mehāniski spēki.

Šo noteikumu neievērošana var izraisīt nopietnus savainojumus, nāvi, ugunsgrēku vai īpašumu bojājumus, ko izsauc elektriskās strāvas trieciens, eksplozija un/vai elektriskais loks.

Jālieto aizsargbrilles.

## NOTEIKUMIEM ATBILSTOŠS IZMANTOJUMS

Kabeļu griezējs ir piemērots no sprieguma brīvu izolēta vara vai alumīnija kabeļu, ACSR trošu (alumīnija/tērauda trošu), tērauda trošu nogriešanai atkarībā no kabeļa tipa.

Kabeļu un trošu griešanu vai nogriešanu drīkst veikt tikai par elektrotehniku apmācīta persona.

Šā kabeļu griezēja operatoram pirms darba uzsākšanas un turpmāk vismaz reizi gadā jābūt informētam par specifiskiem riskiem, kas saistīti ar šā instrumenta izmantošanu, un svarīgiem drošības pasākumiem.

Darba izpildes uzņēmumiem:

- jānodrošina operatora piekļuve lietošanas instrukcijai un
- jāseko, lai operators būtu iepazinies ar tās saturu un to izpratis.

**⚠ UZMANĪBU Izlasiet visus drošības norādījumus, instrukcijas, attēlus un datus, ko saņemat kopā ar ierīci.** Šeit sniegto drošības noteikumu un norādījumu neievērošana var izraisīt aizdegšanos un būt par cēloni elektriskajam triecienam vai nopietnam savainojumam.  
**Pēc izlasīšanas uzglabājiet šos noteikumus turpmākai izmantošanai.**

## IZMANTOŠANA

### Darba vietas sagatavošana

Pirms darba sākuma un to laikā jānodrošina, lai vadi un troses nebūtu nospiestas.

Ja nav iespējams droši pārliecināties par to, ka kabelis vai izolētā līnija ir atslēgta, nekādus darbus uzsākt nedrīkst.

Noteikti jāievēro spēkā esošie drošības noteikumi un normas.

Kabeļus un troses nedrīkst ietekmēt mehāniski spēki un, ja nepieciešams, pēc griezuma tie/tās jānostiprina pret nekontrolētām kustībām.

Nepakļaujiet instrumentus lietus iedarbībai. Nelietojiet instrumentus mitros vai slapjos apstākļos.

### Kabeļu griezēja un akumulatora sagatavošana

Katru reizi pirms lietošanas:

- Apskatiet, vai kabeļu griezējam nav ārēju defektu
- Pārlicinieties, ka griešanas asmeņiem nav plaisu vai citu bojājumu

Lietojiet tikai perfektā kārtībā esošu instrumentu!

Pirms griešanas uzsākšanas pārbaudiet akumulatora uzlādes līmeni: tas nedrīkst būt mazāks par 33% (skat. ilustrēto aprakstu). Var gadīties, ka pirms darba akumulatoru būs nepieciešams uzlādēt.

### Sagatavošanās griešanai

Atbalstiet un nofiksējiet griezamo kabeli vai trosi, lai līdz minimumam samazinātu nekontrolētas kustības risku.

Jo īpaši brīvtāvoši vadi un troses var sākt nekontrolēti kustēties un izraisīt traumas un/vai bojājumus.

Griezējgalva jāpieliek pie kabeļa vai troses 90° leņķī, lai tas/tā bez nospieguma novietotos atvērto griezējžokļos un lai izvairītos no nelabvēlīgiem cirpes spēkiem.

**⚠ UZMANĪBU: Lai mazinātu eksplozijas, elektriskās strāvas trieciena draudus un risku sabojāt īpašumu vai ierīci, nekad nedrīkst griezt zem sprieguma esošus kabeļus.**

**Instruments nav elektriski izolēts. Saskaņā ar zem sprieguma esošu vadu var izraisīt smagus savainojumus vai nāvi. Pirms griešanas izslēdziet spriegumu! Nekad nemēģiniet pārgriezt gāzes vai ūdensvada caurules! Turiet rokas tālāk no visām griešanas šķautnēm un kustīgiem elementiem. Tie var izraisīt grieztas brūces vai pat amputēt ekstremitātes.**

**Pirms instrumenta detaļu demontāžas un nomaiņas vienmēr atvienojiet akumulatoru. Izmantojiet tikai šai ierīcei paredzētas rezerves daļas. Nepiemērotu detaļu izmantošana var būt ļoti bīstama.**

**Lai mazinātu savainošanās risku, valkājiet aizsargbrilles vai brilles ar sānu vairodziniem.**

**⚠ UZMANĪBU: Lai izvairītos no savainojumiem, izmantojiet tikai attiecīgajam griezamajam materiālam piemērotus asmeņus. (skat. „Specifikāciju”) Nemēģiniet griezt nepiemērotus materiālus.**

### Griešana

• Pirms griešanas pārlicinieties, ka asmeņi ir pienācīgi uzstādīti.

1. Virziet kabeli taisnā leņķī pie kabeļu griezēja asmeņiem. Nemēģiniet veikt griezumu leņķī, jo tā tiks sabojāts kabelis un asmeņi.

2. Stingri satveriet rokturi(-us).

Nospiediet mēlīti un visu operācijas laiku turiet to nospiestu.

Piespiežot mēlīti, iedegas gaismas diode.

Kad griezumam ir veikts vai instruments ir izslēgts, atļaidiet aktivizēšanas slēdzi un nospiediet atietates slēdzi, lai atvērtos griezējžokļi.

*Piezīme: Griešanas laikā kabelis var nedaudz izkustēties.*





## Rīcība neparedzētās situācijās

- Kabelis var tikt iegriezts un būt ar spriegumu, vienmēr informējiet par drošību atbildīgo personu, pārtrauciet griešanu, veiciet atbilstīgus drošības pasākumus
- Vienmēr pārliecinieties, ka kabelis atvienots no sprieguma un nodrošināts šādā stāvoklī, un tikai pēc tam tuvojieties tam un aizskariet to.
- nospiediet un turiet nospiešu atiestates pogu, līdz griezēja žokļi pilnībā atvēršies
- pārbaudiet akumulatora lādiņu
- pārbaudiet materiāla un materiāla biežuma atbilstību tehniskajai specifikācijai
- Ja radušās aizdomas, ka ir griezts zem sprieguma esošs kabelis, kabelu griezēs jānodod pārbaudei pilnvarota servisa speciālistiem



## Iestrēguši asmeņi

Netīrumi un skaidas var kļūt par iemeslu tam, ka pēc griešanas žokļi iestrēgst

- Nospiediet un turiet nospiešu atiestates mēlīti, lai panāktu ierices atiestāti.
- Noņemiet akumulatora komplektu.
- Ievērojiet ilustrēto aprakstu griezējžokļu atvēršanai
- Pirms uzsākat jaunu griešanas darbību, rūpīgi notīriet no asmeņiem netīrumus un skaidas.

## Ieteikumi griešanai

- Nemēģiniet veikt griezumu leņķī, jo tā tiks sabojāts kabelis un asmeņi.
- Grieziet tīrus kabeļus, lai paildinātu asmeņu lietošanas laiku. Pirms uzsākat griešanu, noslaukiet netīrumus no kabeļa un asmeņiem.

## APKOPE

Pirms mašīnai veikt jebkāda veida apkopes darbus, ir jāizņem ārā akumulators.

Nekad nemēģiniet izjaukt kabeļu griezēju, akumulatoru vai lādētāju.

Sekojojiet, vai kabeļu griezējam neparādās problēmas, piemēram, troksnis vai iestrēgšana, kas var ietekmēt instrumenta darbību.

Pārbaudiet, vai griešanas instrumentam nav parādījušās plaisas vai kādas citas nolietošanās pazīmes.

Pēc darbu pabeigšanas notīriet un ieeļļojiet griešanas žokļus.

Pārliecinieties, ka asmeņi ir uzasināti, nodilušus griešanas žokļus nomainiet.

Ja asmeņos parādījušies robi vai cita veida bojājumi, nomainiet tos. Vienmēr mainiet abus asmeņus reizē. Izmantojiet tikai „MILWAU-KEE” markas asmeņus.

Pārliecinieties, ka griešanas žokļi var brīvi pārvietoties.

Lai izvairītos no savainojumiem un bojājumiem, instrumentu, akumulatoru vai lādētāju nekad nemērciet ūdenī un nelaujiet tajos iekļūt mitrumam.

Vajag vienmēr uzmanīt, lai būtu tīras dzesēšanas atveres.

Iekārtā atrodas hidrauliskā eļļa, kas rada draudus gruntsūdieņiem. Nekontrolēta eļļas noplūde vai nekompetenta tās iznīcināšana ir sodāma.

Atkarībā no lietošanas intensitātes ierīcei ik pēc sešiem līdz divpadsmit mēnešiem jāveic apkope.

Vairāk informācijas par servisa intervāliem var uzzināt ar lietotnes „ONE-KEY” palīdzību.

Apkopes darbus un remontdarbus drīkst veikt tikai autorizēti specializētie servisi.

Izmantojiet tikai firmu Milwaukee piederumus un firmas Milwaukee rezerves daļas. Lieciet nomainīt detaļas, kuru nomaīņa nav aprakstīta, kādā no firmu Milwaukee klientu apkalpošanas servisiem. (Skat. brošūru „Garantija/klientu apkalpošanas serviss”).

Ja nepieciešams, klientu apkalpošanas servisā vai tieši pie firmas Technonic Industries GmbH, Max-Eyth-Straße 10, 71364 Winnenden, Germany, var pieprasīt instrumenta numurs, kas norādīts uz jaudas paneļa.

## ONE-KEY™

Lai uzzinātu vairāk par šā instrumenta ONE-KEY funkciju, izlasiet pievienoto ātrās palaišanas instrukciju vai apmeklējiet mūs internetā <http://www.milwaukeeool.com/one-key>.

ONE-KEY lietotni savā viedtālrunī varat lejupielādēt no App Store vai Google Play.

Ja notiek elektrostātiskā izlāde, Bluetooth komunikācija tiks atvienota, un notiks iziešana no lietotnes saskarnes. Un lietotne 45 sekundes nav lietojama. Pēc 45 sekundēm nepieciešams atiestāt lietotni, lai to atkoptu. Mēs uzskatām rezultātu par atbilstošu minimālajam pieļaujamam snieguma līmenim saskaņā ar EN 301489-1/ EN 301489-17. Lietošanas instrukcijas klientam ir sniegtas lietotāja rokasgrāmātā.

## AKUMULĀTORI

Pie temperatūras, kas pārsniedz 50°C, akumulatoru darbība tiek negatīvi ietekmēta. Vajag izvairīties no ilgākas saules un karstuma iedarbības.

Lādētāja un akumulatoru pievienojuma kontakti jāuztur tīri.

Lai baterijas darba ilgums būtu optimāls, pēc iekārtas izmantošanas tā jāuzlādē. Akumulatori, kas ilgāku laiku nav izmantoti, pirms lietošanas jāuzlādē.

Lai akumulatori kalpotu pēc iespējas ilgāku laiku, tos pēc uzlādes ieteicams atvienot no lādētāj ierīces.

Akumulatora uzglabāšana ilgāk kā 30 dienas; uzglabāt akumulatoru pie aptuveni 27°C un sausā vietā; Uzglabāt akumulatoru uzlādes stāvoklī aptuveni pie 30%-50%; Uzlādēt akumulatoru visus 6 mēnešus no jauna.

Izmantotos akumulārus nedrīkst mest uguni vai parastajos atkritumos. Firma Milwaukee piedāvā iespēju vecos akumulātorus savākt apkārtnē vidi saudzējošā veidā; jautājiet specializētā veikalā.

Akumulātorus nav ieteicams glabāt kopā ar metāla priekšmetiem (iespējams īsslēgums).

M18 sistēmas akumulātorus lādēt tikai ar M18 sistēmas lādētājiem. Nedrīkst lādēt citus akumulātorus no citām sistēmām.

## LITĪJA JONU AKUMULATORU TRANSPORTĒŠANA

Uz litija jonu akumulatoriem attiecas noteikumi par bīstamo kravu pārvadāšanu.

Šo akumulatoru transportēšana jāveic saskaņā ar vietējiem, valsts un starptautiskajiem normatīvajiem aktiem un noteikumiem.

Patērētāja darbības, pārvadājot šos akumulatorus pa autoceļiem, nav reglamentētas.

Uz litija jonu akumulatoru komerciālu transportēšanu, ko veic ekspedīcijas uzņēmums, attiecas bīstamo kravu pārvadāšanas noteikumi. Sagatavošanas darbus un transportēšanu drīkst veikt tikai atbilstoši apmācīts personāls. Viss process jāveda profesionāli.

Veicot akumulatoru transportēšanu, jāievēro:

Pārliecinieties, ka kontakti ir aizsargāti un izolēti, lai izvairītos no īssavienojumiem. Pārliecinieties, ka akumulators iepakojumā nevar paslidēt. Bojātus vai tekošus akumulatorus nedrīkst transportēt. Plašāku informāciju Jūs varat saņemt no ekspedīcijas uzņēmuma.

## ATBILSTĪBA CE NORMĀM

Mēs ar pilnu atbildību paziņojam, ka izstrādājums, kas raksturots sadaļā „Tehniskie dati”, atbilst visām attiecīgajām prasībām direktīvās

2011/65/ES RoHS, 2006/42/EK, 2014/30/ES, 2014/53/EU un ir piemēroti šādi saskaņotie standarti

EN 62841-1:2015

EN 62479:2010

EN 60950-1:2006+A11:2009+A1:2010+A12:2011+AC:2011+A2:2013

EN 55014-1:2006+A1:2009+A2:2011

EN 55014-2:2015

EN 50581:2012

EN 301 489-1 V1.9.2 (2011-09)

EN 301 489-17 V2.2.1 (2012-09)

EN 300 328 V1.9.1 (2015-02)



Winnenden, 2017-05-03

Alexander Krug / Managing Director

Pilnvarotais tehniskās dokumentācijas sastādītājs.

Techtronic Industries GmbH

Max-Eyth-Straße 10, 71364 Winnenden, Germany

## SIMBOLI



Pirms sākt lietot instrumentu, lūdz, izlasiet lietošanas pamācību.



**UZMANĪBU!**  
atpakaj atmetajām sagataves daļām



Strādājot ar mašīnu, vienmēr jānēsā aizsargbrilles.



Elektriskā trieciena risks



**UZMANĪBU! BĪSTAMI!**



Pirms mašīnai veikt jebkāda veida apkopes darbus, ir jāizņem ārā akumulators.



Nepietuviniet rokas griezējinstrumentam un citām kustīgām detaļām. Pirksti var iekļūt griezēj mehānismā un tikt amputēti vai savainoti.



Piederumi - standartapriekojumā neietvertās, bet ieteicamās papildus komplektācijas detaļas no piederumu programmas.



Elektroiekārtas nedrīkst izmest kopā ar sadzīves atkritumiem. Elektriskās un elektroniskās iekārtas ir jāsavāc atsevišķi un jānodod pārstrādes uzņēmumam, kas no tām atbrīvošies dabai draudzīgā veidā. Meklējiet otrreizējās pārstrādes poligonus un savākšanas punktus vietējās pārvaldes iestādēs vai pie preces pārdevēja.



CE marķējums



UkrSEPRO atbilstības marķējums.



EurAsian atbilstības marķējums.



Lat

TECHNINIAI DUOMENYS	M18 HCC45
<b>Kabelių karpytuvas</b>	
Produkto numeris	4587 00 01... ... 000001-999999
Keičiamo akumulatoriaus įtampa	18 V
presavimo jėga	77,8 kN
Pjovimo diapazonas Priklauso nuo kabelio tipo	maks. Ø 44 mm
ACSR: Aliuminis-/Plieniniai lynai Varis / Aliuminis	
Prietaiso svoris įvertintas pagal EPTA 2003/01 tyrimų metodiką (Li-Ion 2,0 Ah)	6,0 kg
<b>Informacija apie keliamą triukšmą</b>	
Vertės matuotos pagal EN 62841. Įvertintas A įrenginio keliamo triukšmo lygis dažniausiai sudaro:	
Garso slėgio lygis (Paklaida K=3dB(A))	76,9 dB(A)
Garso galios lygis (Paklaida K=3dB(A))	87,9 dB(A)
<b>Nešioti klausos apsaugines priemones!</b>	
<b>Informacija apie vibraciją</b>	
Bendroji svyravimų reikšmė (trijų krypčių vektorių suma), nustatyta remiantis EN 62841.	
Vibravimų emisijos reikšmė <sub>h</sub>	1,2 m/s <sup>2</sup>
Paklaida K=	1,5 m/s <sup>2</sup>



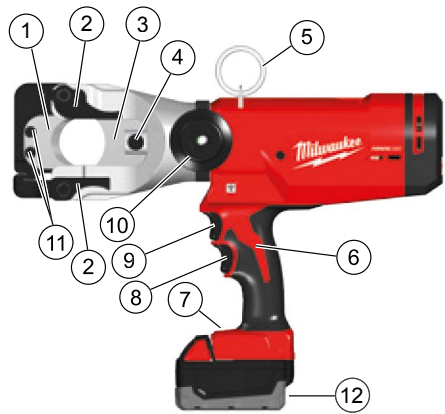
### DĖMESIO!

Instrukcijoje nurodyta svyravimų ribinė vertė yra išmatuota remiantis standartu EN 62841; ji gali būti naudojama keliems elektriniams instrumentams palyginti. Ji taikoma ir laikinai įvertinti svyravimų apkrovą.

Nurodyta svyravimų ribinė vertė yra taikoma pagrindinėse elektrinio instrumento naudojimo srityse. Svyravimų ribinė vertė gali skirtis naudojant elektrinį instrumentą kitose srityse, papildomai naudojant netinkamus elektrinius instrumentus arba juos nepakankamai techniškai prižiūrint. Dėl to viso darbo metu gali žymiai padidėti svyravimų apkrova.

Siekiant tiksliai nustatyti svyravimų apkrovą, būtina atsizvelgti ir į laikotarpį, kai įrenginys yra išjungtas arba įjungtas, tačiau faktiškai nenaudojamas. Dėl to viso darbo metu gali žymiai sumažėti svyravimų apkrova.

Siekiant apsaugoti vartotojus nuo svyravimo įtakos naudojamose papildomos saugos priemonės, pavyzdžiui, elektrinių darbo instrumentų techninė priežiūra, rankų šilumos palaikymas, darbo procesų organizavimas.



### Įrenginio aprašymas

- |                               |   |
|-------------------------------|---|
| ① Priekinis diskas            | ⑧ Atlaisvimo gaidukas                         |
| ② Spaustuvo atleidimo svirtys | ⑨ Gaidukas                                    |
| ③ Galinis diskas              | ⑩ Papildoma rankena                           |
| ④ Fiksuojamasis disko kaištis | ⑪ 5 mm varžtai su šešiabriaune galvutės įduba |
| ⑤ Laikiklis                   | ⑫ Akumulatorius                               |
| ⑥ Rankena                     |   |
| ⑦ LED                         |   |

**⚠ DĖMESIO Perskaitykite visas saugos nuorodas, instrukcijas, iliustracijas ir duomenis, kuriuos gaunate su prietaisu.** Jei nepaisysite žemiau pateiktų saugos nuorodų ir reikalavimų, gali trenkti elektros smūgis, kilti gaisras ir/arba galite sunkiai susižaloti arba sužaloti kitus asmenis.  
**Išsaugokite šias saugos nuorodas ir reikalavimus, kad ir ateityje galėtumėte jais pasinaudoti.**

### ⚠ KABELIŲ KARPYTUVO SAUGOS NUORODOS

Norėdami sumažinti sprogių, elektros šoko ir žalos nuosavybei ir įrangai pavojų, niekada nenukirpkite elektros kabelių, kuriais teka elektros srovė. Įrankis NĖRA izoliuotas.

Rankas ir laisvus drabužius laikykite atokiau nuo kirpimo įrankių ir kitų judančių dalių. Kyla pavojus rimtai susižaloti, taip pat pavojus netekti galūnių.

Rekomenduotina dėvėti apsaugines priemones: apsaugos nuo dulkių respiratorius, apsaugines pirštines, kietus batus neslidžiais padais, šalmą ir klausos apsaugos priemones.

Dėvėkite apsaugines priemones. Dirbdami laidų karpymo žnyplėmis, visada dėvėkite apsauginius akinus.

Saugokitės, kad laidų karpymo žnyplės netyčia neįkirtų. Prieš jungdami prie išimamo akumulatoriaus, užtikrinkite, kad gaidukas būtų užfiksuotas jungiklio fiksatatoriumi.

Niekada nelaikykite laidų kirpimo žnyplių už kirpimo žiočių.

Prieš naudodami, visada patikrinkite kirpimo žnyplių žiotis, ar yra įtrūkimų ar kitų nusidėvėjimo požymių.

Laidų karpymo žnyplės, išimamą akumulatorių ir įkroviklių naudokite tik tada, jei jų techninė būklė yra nepriekaištinga.

Remontuoti pažeidimus nedelsdami paveskite įgaliotoms dirbtuvėms.

Prieš atlikdami bet kokius darbus įrenginyje, išimkite keičiamą akumuliatorių.

Laidų karpymo žnyplės galima naudoti tik su įstatytu karpymo įrankiu.

Prieš kirpdami pašalinkite bet kokius nustatymo įrankius ir veržliarakčius.

Niekada nemerkite įrankio, išimamo akumulatoriaus ar įkroviklio į skystį ir neleiskite skystčiui į juos patekti, kad išvengtumėte sužalojimų ir žalos.

Laidų kirpimo žnyplės laikykite abiem rankomis.

Jei kerpant įvyksta gedimas, nedelsdami atleiskite gaiduką ir paspauskite hidraulinės sistemos paleidimo iš naujo mygtuką.

Atsidaro vožtuvus ir stūmoklis grįžta į pradinę padėtį.

## KITI PAVOJAI

Prieš pradėdami kirpimo procesą, būtina izoliuoti prieigą laikantis vietos nuostatų.

Visada kirpkite tik nuo maitinimo šaltinio atjungtus kabelius.

Kabelių ir lynų negali veikti mechaninės jėgos.

Nesilaikant šio nurodymo, galimi rimti sužalojimai, mirtis, gaisras ir kita žala nuosavybei dėl elektros šoko, sprogmio ir (arba) elektros lankinės iškravos.

Dėvėkite apsauginius akinius.

## NAUDOJIMAS PAGAL PASKIRTĮ

Kabelių karpytuvus tinka karpyti įtampos neturinčius kabelius, pagamintus iš izoliuoto vario ar aliuminio, ACSR lynus (aliumininius / plieninius lynus), plieninius lynus, kaskart priklausomai nuo kabelio tipo.

Pjaustyti arba karpyti kabelius ir lynus šiuo kabelių karpytuvu leidžiama tik elektrotechnikos srityje inžinieriams asmeniui.

Šių laidų kirpimo žnyplių naudotojas turi būti informuotas apie konkrečius pavojus, susijusius su laidų kirpimo žnyplių naudojimu, ir pagrindines saugos priemones prieš jam pirmą kartą imantis darbo, o vėliau – bent kartą per metus.

Veiklą vykdanči žmonė turi:

- Pasirūpinti, kad naudotojas turėtų naudojimo instrukciją,
- užtikrinti, kad naudotojas ją perskaitytų ir suprastų.

**⚠ DĖMESIO Perskaitykite visas saugos nuorodas, instrukcijas, iliustracijas ir duomenis, kuriuos gaunate su prietaisu.** Jei nepaisysite žemiau pateiktų saugos nuorodų ir reikalavimų, gali trenkti elektros smūgis, kilti gaisras ir/arba galite sunkiai susižaloti arba sužaloti kitus asmenis. **Išsaugokite šias saugos nuorodas ir reikalavimus, kad ir ateityje galėtumėte jais pasinaudoti.**

## NAUDOJIMAS

### Darbo vietos paruošimas

Prieš pradėdami darbą, būtina sukurti linijų arba lynų būseną be įtampos, ir ją užtikrinti, kol truks darbai.

Jei neįmanoma visiškai užtikrinti, kad kabelis arba izoliuota linija būtų atjungta, negalima atlikti jokių darbų.

Būtina laikytis vietinių saugos reikalavimų ir taisyklių.

Kabelių ir lynų negali veikti mechaninės jėgos, ir juos, esant reikalui, po kirpimo būtina apsaugoti nuo nevaldomo judėjimo.

Saugokite įrankius nuo lietaus. Nedirbkite su įrankiais esant rūkiui ar drėgnose vietose.

### Laidų kirpimo žnyplių ir akumulatoriaus paruošimas

Prieš kiekvieną naudojimą:

- Patikrinkite laidų kirpimo žnyplės, ar nėra išorinių defektų
- Patikrinkite kirpimo įrankį, ar nėra įtrūkimų ar kitų nusidėvėjimo požymių

Naudokite tik puikios būklės!

Prieš prasidedant kirpimo procesui būtina patikrinti akumulatoriaus talpą: minimali – 33 % (žr. iliustruotą aprašymą).

Prieš pradėdami darbą gali prireikti įkrauti.

### Pasiruošimas kirpimo procesui

Paremkite ir užfiksokite kerpamą kabelį arba lyną, kad sumažintumėte nevaldomo judėjimo riziką.

Ypač gali imti nevaldomai judėti oro linijos ir lynai ir sukelti sužalojimų ir (arba) pažeidimų.

Kirpimo galvutė turi būti pridėta 90° kampu kabelio arba lyno atžvilgiu, kad šis be įtempių atsiremtų į atidarytą kirpimo trinkelę, ir būtų išvengta nepalankių šlyties jėgų.

**⚠ DĖMESIO: Norėdami sumažinti sprogmų, elektros šoko ir žalos nuosavybei ir įrangai pavojų, niekada nenurpinkite elektros kabelių, kuriais teka elektros srovė.**

Įrankis NĖRA izoliuotas. Prisilietus prie grandinės, kuria teka srovė, galimi rimti sužalojimai arba mirtis. Išjunkite maitinimą prieš kirpdami. Niekada nekirpkite dujų ar vandens linijų. Nelieskite jokių aštrių briaunų ar judančių dalių. Galimos plėštinės žaizdos arba amputacija.

Prieš keisdami ar nuimdami priedus, visada išimkite akumuliatorių komplektą. Naudokite tik priedus, specialiai rekomenduotus šiam įrankiui. Kiti gali būti pavojingi.

Kad sumažintumėte pavojų susižaloti, dėvėkite apsauginius akinius arba akinius su šoniniais skydeliais.

**⚠ DĖMESIO: Norėdami sumažinti susižalojimo pavojų, kirpkite medžiagas, rekomenduojamas kirpti šiomis geležtėmis. (Žr. „Techninės savybės“) Nebandykite kirpti kitų medžiagų.**

### Kirpimas

• Prieš kirpdami užtikrinkite, kad geležtės būtų tinkamai įtaisytos.

1. Kreipkite kabelį statmenai prie kabelių karpytuvo asmenų. Nebandykite kirpti kampu, nes taip galite sugadinti kerpamą objektą ir geležtės.

2. Tvirtai suimkite rankeną (-as).

Paspauskite gaiduką ir jį laikykite atlikdami operaciją.

Kai gaidukas nuspaustas, šviečia LED indikatorius.

Jei kirpimas yra atliktas, arba įrankis išsijungia, vėl atleiskite aktyvinimo įtaisą ir aktyvinkite atstatos jungiklį, kad atsidarytų kirpimo trinkelės.

*Pastaba: Kerpamas objektas gali sėk tiek judėti.*

### Veiksmai gedimų atveju

• kabelis gali būti įpjautas ir turėti įtampą, visada informuokite saugos įgaliotinį, nutraukite kirpimo procesą, imkitės tinkamų apsaugos priemonių

• Visada užtikrinkite, kad įrenginys būtų atjungtas nuo maitinimo šaltinio prieš priartėdami ir jį liedami



- paspauskite ir palaikykite nustatymo iš naujo mygtuką, kol žnyplės visiškai atsідarys
- patikrinkite akumulatoriaus talpą
- patikrinkite medžiagą ir medžiagos storį, palyginę su techniniais duomenimis
- Jei įtariama, kad buvo nukirptas kabelis, kuriuo teka elektros srovė, reikia patikrinti laidų kirpimo žnyplės įgaliotos specialistų dirbtuvėse

### Užstrigusios geležtės

Dėl nešvarumų ir nuolaužų geležtės po kirpimo gali užstrigti

- Paspauskite ir palaikykite atlaisvinimo gaiduką, kad užtikrintumėte, jog įrankis nustatytas iš naujo.
- Išimkite akumulatorių.
- vadovaukitės vaizdiniu aprašymu, kad atidarytumėte kirpimo trinkeles
- Nuvalykite nuo geležčių bet kokius nešvarumus ir nuolaužas prieš vėl pradėdami kirpti.

### Kirpimo patarimai

- Nebandykite kirpti kampu, nes taip galite sugadinti kerpamą objektą ir geležtės.
- Kad geležtės ilgiau tarnautų, kirpkite švarią medžiagą. Nuvalykite nešvarumus ir nuolaužas nuo medžiagos ir geležčių prieš pradėdami kirpti.

### TECHNINIS APTARNAVIMAS

Prieš atlikdami bet kokius darbus įrenginyje, išimkite keičiamą akumulatorių.

Niekada neardykite laidų kirpimo žnyplių, išimamo akumulatoriaus ar įkroviklio.

Patikrinkite laidų kirpimo žnyplės, ar nėra kokių požymių, pavyzdžiui, judančių dalių triukšmo arba strigimo, kas galėtų pakenkti įrankiui.

Patikrinkite kirpimo įrankius, ar yra įtrūkimų ir kitų dėvėjimosi požymių.

Kai baigsite darbą, nuvalykite ir sutepinkite kirpimo įrankius.

Patikrinkite, ar kirpimo briaunos yra aštrios, taip pat pakeiskite nusidėvėjusias kirpimo žiotis.

Pakeiskite geležtės, kai jos sulūžinėja arba yra pažeistos. Visada keiskite visą geležčių komplektą. Naudokite tik MILWAUKEE geležtės.

Patikrinkite, ar kirpimo įrankiai gali laisvai judėti.

Norėdami išvengti sužalojimų ir žalos, niekada neįmerkite įrankio, išimamo akumulatoriaus arba įkroviklio į skystį ir neieiskite skystiui prisikverbtį į juos.

Įrenginio vėdinimo angos visada turi būti švarios.

Prietaise yra hidraulinės alyvos, kuri kelia pavojų gruntniams vandenims. Už jos išleidimą arba netinkamą utilizavimą gresia bausda.

Įrenginui turėtų būti atliekama techninė priežiūra per laikotarpį nuo šešių iki dvylikos mėnesių, atsižvelgiant į naudojimą.

Išsamiau apie technines priežiūros intervalus galite sužinoti naudodami ONE-KEY programėlę.

Techninės priežiūros ir remonto darbus gali atlikti tik įgaliotos specialios dirbtuvės.

Naudokite tik „Milwaukee“ priedus ir „Milwaukee“ atsarginės dalis. Dalis, kurių keitimas neaprašytas, leidžiama keisti tik „Milwaukee“ klientų aptarnavimo skyriams (žr. garantiją/klientų aptarnavimo skyrių adresu brošiūroje).

Jei reikia, nurodant įrenginio tipą bei specifkacijų lentelėje esantį numerį, iš klientų aptarnavimo skyriaus arba tiesiai iš Techtronic Industries GmbH, Max-Eyth-Strasse 10, 71364 Winnenden, Germany, galima užsisakyti prietaiso surinkimo brėžinius.

### ONE-KEY™

Kad daugiau sužinotumėte apie šio įrankio ONE-KEY funkcionalumą, perskaitykite pridėdamą greito pasirengimo darbui instrukciją arba aplankykite mus internete, adresu <http://www.milwaukeeool.com/one-key>.

Jūs galite iš „App Store“ arba „Google Play“ į savo išmanųjį telefoną atsisiųsti ONE-KEY programėlę.

Patyrus elektrosstatinę iškrovą, „Bluetooth“ ryšys bus atjungtas, o programėlės sąsaja – uždaryta. Programėlė neveiks 45 sekundes. Po 45 sekundžių reikės iš naujo nustatyti programėlę. Mes laikome, kad rezultatas bus minimalaus priimtino veikimo lygio ribose, pagal EN 301489-1/ EN 301489-17. Naudojimo patarimų klientui bus pateikiama naudotojo vadove.

### AKUMULATORIAI

Aukštesnė nei 50°C temperatūra mažina keičiamų akumulatorių galią. Venkite ilgesnio saulės ar šilumos šaltinių poveikio.

Įkroviklio ir keičiamo akumulatoriaus jungiamieji kontaktai visada turi būti švarūs.

Kad prietaisas kuo ilgiau veiktų, pasinaudoję juo, iki galo įkraudite akumulatorius. Ilgesnį laiką nenaudotus keičiamus akumulatorius prieš naudojimą įkraudite.

Siekiant užtikrinti kuo ilgesnį baterijos tarnavimo laiką, reiktų ją po atlikto įkrovimo iškart išimti iš įkroviklio.

Bateriją laikant ilgiau nei 30 dienų, būtina atkreipti dėmesį į šias nuorodas; bateriją laikyti sausoje aplinkoje, esant apie 27 °C temperatūrai. Baterijos įkrovimo lygis turi būti nuo 30% iki 50%. Baterija pakartotinai turi būti įkraunama kas 6 mėnesius.

Sunaudotų keičiamų akumulatorių nedeginkite ir nemeskite į buitines atliekas. „Milwaukee“ siūlo tausojantį aplinką sudėvėtų keičiamų akumulatorių tvarkymą, apie tai prekybos atstovo.

Keičiamų akumulatorių nelaikykite kartu su metaliniais daiktais (trumpojo jungimo pavojus).

Keičiamus M18 sistemos akumulatorius kraukite tik „M18“ sistemos įkrovikliais. Nekraukite kitų sistemų akumulatorių.

### LIČIO JONŲ AKUMULATORIŲ PERVEŽIMAS

Ličio jonų akumulatoriams taikomos įstatyminės nuostatos dėl pavojingų krovinių pervežimų.

Šiuos akumulatorius pervežti būtina laikantis vietinių, nacionalinių ir tarptautinių direktyvų ir nuostatų.

Naudotojai šiuos akumulatorius gali naudoti savo transporte be jokių kitų sąlygų.

Už komercinį ličio jonų akumulatorių pervežimą atsako ekspedicijos įmonė pagal nuostatas dėl pavojingų krovinių pervežimo. Pasiruošimo išsiųsti ir pervežimo darbus gali atlikti tik atitinkamai išmokyti asmenys. Visas procesas privalo būti prižiūrimas.

Pervežant akumulatorius būtina laikytis šių punktų:

Siekiant išvengti trumpųjų jungimų, įsitikinkite, kad kontaktai yra apsaugoti ir izoliuoti. Atkreipkite dėmesį, kad akumulatorius pakotės viduje neslidinėtų. Draudžiama pervežti pažeistus arba tekancius akumulatorius. Dėl detalesnių nurodymų kreipkitės į savo ekspedicijos įmonę.



Liet

## CE ATITIKTIES PAREIŠKIMAS

Prisiimdami visą atsakomybę pareiškiame, kad gaminys, aprašytas „Techniniuose duomenyse“, atitinka taikomus reikalavimus, išdėstytus direktyvose

2011/65/ES RoHS, 2006/42/EB, 2014/30/ES, 2014/53/EU ir buvo taikyti šie darnieji standartai

EN 62841-1:2015

EN 62479:2010

EN 60950-1:2006+A11:2009+A1:2010+A12:2011+AC:2011+A2:2013

EN 55014-1:2006+A1:2009+A2:2011

EN 55014-2:2015

EN 50581:2012

EN 301 489-1 V1.9.2 (2011-09)

EN 301 489-17 V2.2.1 (2012-09)

EN 300 328 V1.9.1 (2015-02)



Winnenden, 2017-05-03

Alexander Krug / Managing Director  
Įgaliotas parengti techninius dokumentus.

Techtronic Industries GmbH  
Max-Eyth-Straße 10, 71364 Winnenden, Germany

## SIMBOLIAI



Prieš pradėdami dirbti su prietaisu, atidžiai perskaitykite jo naudojimo instrukciją.



DĖMESIO!  
skrendančių dalių



Dirbdami su įrenginiu visada nešiokite apsauginius akinius.



Elektros smūgio pavojus



DĖMESIO! ĮSPĖJIMAS! PAVOJUS!



Prieš atlikdami bet kokius darbus įrenginyje, išimkite keičiamą akumuliatorių.



Rankas laikykite atokiau nuo kirpimo įrankio ir kitų judančių dalių. Pirštai gali patekti į kirpimo mechanizmą ir būti nukirpti arba sužaloti.



Priedas – neįeina į tiekimo komplektaciją, rekomenduojamas papildymas iš priedų asortimento.



Elektros prietaisų negalima išmesti kartu su buitinėmis atliekomis. Būtina rūšiuoti elektros ir elektroninius prietaisus ir atiduoti j atliekų perdirbimo centrą, kad jie būtų utilizuoti netešiant aplinkos. Informacijos apie perdirbimo centrus ir atliekų surinkimo įstaigas teiraukitės vietos įstaigoje arba prekybininko.



CE ženklas



TR 066

„UkrSEPRO“ atitikties ženklas.



„EurAsian“ atitikties ženklas.



TEHNILISED ANDMED	M18 HCC45
<b>Kaabliõikur</b>	
ootmisnumber	4587 00 01... ... 000001-999999
Vahetatava aku pingeline	18 V
surujõud	77,8 kN
Lõiketsoon Sõltub kaabli tüübist	max Ø 44 mm
ACSR: Alumiinium-/Terastross	
Vask / Alumiinium	
Kaal vastavalt EPTA-protseduurile 01/2003 (Li-ion 2,0 Ah)	6,0 kg
<b>Müra andmed</b>	
Mõõteväärtused on kindlaks tehtud vastavalt normile EN 62841. Seadme tüüpiline hinnanguline (müratase):	
Helirõhutase (Määramatus K=3dB(A))	76,9 dB(A)
Helivõimsuse tase (Määramatus K=3dB(A))	87,9 dB(A)
<b>Kandke kaitseks kõrvaklappe!</b>	
<b>Vibratsiooni andmed</b>	
Vibratsiooni koguväärtus (kolme suuna vektorsummamõõdetud EN 62841 järgi).	
Vibratsiooni emissiooni väärtus <sub>h</sub>	1,2 m/s <sup>2</sup>
Määramatus K=	1,5 m/s <sup>2</sup>



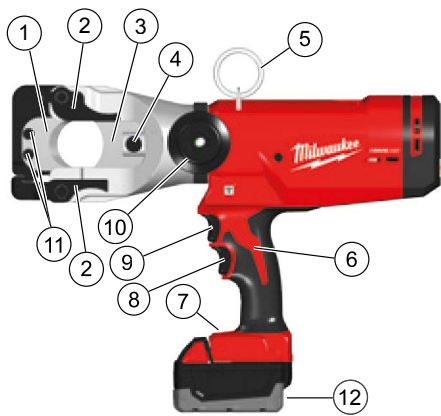
### TÄHELEPANU!

Antud juhendis toodud võnketase on mõõdetud EN 62841 standardile vastava mõõtesüsteemiga ning seda võib kasutada erinevate elektriseadmete omavahelises võrdlemises. Antud näitaja sobib ka esmaseks võnkekoormuse hindamiseks.

Antud võnketase kehtib elektriseadme kasutamisel sihtotstarbiselt. Kui elektriseadmed kasutatakse muudel otstarvetel, muude tööriistadega või seda ei hooldata piisavalt võib võnketase siintoodust erineda. Eeltoodu võib võnketaset märkimisväärselt tõsta terves töökeskkonnas.

Võnketaseme täpseks hindamiseks tuleks arvestada ka aega, mil seade on välja lülitatud või on küll sisse lülitatud, kuid ei ole otseselt kasutuses. See võib märgatavalt vähendada kogu töökeskkonna võnketaset.

Rakendage spetsiaalseid ettevaatusabinõusid töötajate suhtes, kes puutuvad töö käigus palju kokku vibratsiooniga. Nendeks abinõudeks võivad olla, näiteks: elektri- ja tööseadmete korralline hooldus, käte soojendamine, töövoe parem organiseerimine.



### Seadme kirjeldus

- |                               |                      |
|-------------------------------|----------------------|
| ① Esmine lõiketera            | ⑦ LED-lamp           |
| ② Haaratsi vabastamise hoovad | ⑧ Vabastusnupp       |
| ③ Tagumine lõiketera          | ⑨ Päästik            |
| ④ Lõiketera fikseerimistihvt  | ⑩ Lisakäepide        |
| ⑤ Riputi                      | ⑪ 5 mm pesapeakruvid |
| ⑥ Käepide                     | ⑫ Aku                |

### ⚠ TÄHELEPANU Lugege kõik seadmega kaasas olevad ohutusjuhised, juhendid, joonised ja andmed läbi.

Ohutusnõuete ja juhiste eiramise tagajärjeks võib olla elektrilöökk, tulekahju ja/või raskek vigastused.

**Hoidke kõik ohutusnõuded ja juhised edasiseks kasutamiseks hoolikalt alles.**

### ⚠ KAABLILÕIKURI OHUTUSJUHISED

Plahvatuse, elektrilöögi ja materiaalse kahju ohu vähendamiseks ärge kunagi lõigake pingeline all olevaid elektrijuhtmeid. Tööriist EI OLE isoleeritud.

Hoidke käed ja lahtine riietus lõikeinstrumentidest ja teistest liikuvatest osadest eemal. Rasketel vigastustel oht, sh jäsemete amputeerimise oht.

Kaitseriietusena soovitakse kasutada tolumumaski kaitsekindaid, kinniseid ja libisemisvastase tallaga jalanõusid, kiivrit ja kuulmisteede kaitset.

Kasutades kaitsevarustust. Kaabliõikuri kasutamise ajal tuleb alati kasutada kaitseprille.

Jälgige, et kaabliõikur ei käivituks juhuslikult. Enne eemaldatava aku ühendamist jälgige, et päästik oleks lülitilukuga kindlustatud.

Ärge hoidke kaabliõikurit kunagi lõikehaaratsitest.

Enne kasutamist kontrollige alati, ega lõikehaaratsitel pole mõrasid või muid kulumismärke.

Kasutage kaabliõikurit, eemaldatavat akut ja laadijat ainult siis, kui need on laitmatu tehnilises seisukorras.

Laske kahjustused kohe volitatud oskustöökohas remontida.

Enne kõiki töid masina kallal võtke vahetatav aku välja.

Kaabliõikurit võib kasutada ainult siis, kui lõiketööriist on ühendatud.

Enne lõikamist eemaldage seadistusvahendeid ja võtmed.

Vigastuste ja kahjustuste vältimiseks ärge asetage tööriista, eemaldavat akut ega laadijat vette ega laske vedelikel neisse tungida.

Hoidke kaabliõikurit mõlema käega.

Kui lõikamise ajal tekib tõrkeid, laske päästik kohe lahti ja vajutage hüdraulika lähtestamise nuppu.

Ventiil avaneb ja kolb liigub lähteasendisse tagasi.

## JÄÄKOHUD

Enne lõikamise alustamist tuleb juurdepääs kooskõlas kohalike eeskirjadega piirata.

Lõigake kaableid vaid siis, kui need on toitevõrgust lahutatud.

Kaabel ja tross ei tohi jääda mehaaniliste jõudude mõju alla.

Selle juhise eiramine võib põhjustada elektrilöögi, plahvatus ja/või elektrikaare tõttu raskeid vigastusi, surma, tulekahju ja muud materiaalselt kahju.

Kandke kaitseprille.

## KASUTAMINE VASTAVALT OTSTARBELE

Kaabliõikur on mõeldud voolupinge alt vabade, vasest või alumiiniumist, terasalumiiniumist, terasest kaablite lõikamiseks, sõltuvalt kaabli tüübist.

Selle kaabliõikuriga tohivad kaableid ja trosse lõigata vaid elektrotehnika alaste teadmistega spetsialistid.

Selle kaabliõikuri kasutajat tuleb instrueerida enne lõikuri esmakordset kasutamist ja seejärel vähemalt kord aastas ohtudest, mis on seotud selle kaabliõikuri kasutamisega, ning olulistest ohutusmeetmetest.

Käituseetevõte peab:

- tagama kasutusjuhendi kättesaadavuse kasutajale ning
- kindlustama, et kasutaja loeb selle läbi ja saab sellest aru.

**⚠ TÄHELEPANU** Lugege kõik seadmega kaasas olevad ohutusjuhised, juhendid, joonised ja andmed läbi. Ohutusnõuete ja juhiste eiramise tagajärjeks võib olla elektrilöök, tulekahju ja/või raskeid vigastused.  
**Hoidke kõik ohutusnõuded ja juhised edasiseks kasutamiseks hoolikalt alles.**

## KASUTAGE

### Tööpiirkonna ettevalmistamine

Enne tööga alustamist peab kaablid ja trossid voolupinge alt vabastama ja tagama selle oleku kogu tööde kestvuse ajaks.

Kui ei suudeta täiesti kindlalt tagada, et kaabel või isoleeritud juhe on lahutatud, ei tohi tööd teha.

Kindlasti peab järgima kohalikke ohutusnõudeid ja regulatsioone.

Kaabel ja tross ei tohi jääda mehaaniliste jõudude mõju alla ja vajadusel peab nad kindlustama lõike ajal kontrollimatu liikuma hakkamise vastu.

Ärge jätke tööriistu vihma kätte. Ärge kasutage tööriistu niisketes või märgades paikades.

### Kaabliõikuri ja aku ettevalmistamine

Enne iga kasutamist:

- kontrollige, ega kaabliõikuril ei ole väliseid kahjustusi;
- kontrollige, ega lõiketööriistal pole mõrasid või muid kulumismärke.

Kasutage üksnes laitmatus seisukorras seadet!

Enne lõikamise alustamist tuleb kontrollida aku laetust: see peab olema vähemalt 33% (vt joonisnosta kirjeldust).

Vajadusel tuleb akut enne töö alustamist laadida.

### Lõikamise ettevalmistamine

Toestage ja kinnitage lõigatav kaabel või tross nii, et selle kontrollimatu liikuma hakkamise risk oleks viidud miinimumini.

Eriti suur oht kontrollimatult liikuma hakata on õhuliinidel ja trossidel ning see võib põhjustada vigastusi ja/või kahjustusi.

Lõikepa te tuleb kaablile või trossile asetada 90° all ning kaabel või tross ei tohi avatud lõikepakide vahel pinge all olla. See hoiab ära soovimatut nihkeju mõju.

**⚠ TÄHELEPANU:** Plahvatus, elektrilöögi ja materiaalse kahju ohu vähendamiseks ärge kunagi lõigake pinge all olevaid elektrijuhtmeid.

Tööriist EI OLE isoleeritud. Kokkupuude pingestatud ahelaga võib kaasa tuua raske vigastuse või surma. Enne lõike tegemist lülitage toide välja. Ärge kunagi lõigake gaasi- või veetorusid. Hoidke käed kõigist lõikeservadest ja liikuvatest osadest eemal. Vastasel juhul võite saada lõikevigastusi või võib tekkida amputatsioon.

Eemaldage akupakk alati enne tarvikute vahetamist või eemaldamist. Kasutage üksnes selle tööriista jaoks soovitatud tarvikuid. Muud tarvikud võivad olla ohtlikud.

Vigastusohu vältimiseks kandke kaitseprille või küljekaitsetega prille.

**⚠ TÄHELEPANU:** Vigastusohu vähendamiseks lõigake üksnes materjale, mida on lubatud lõiketeradega lõigata. (vt „Tehniline kirjeldus“) Ärge püüdke lõigata muid materjale.

### Lõikamine

- Enne lõikamist veenduge, et lõiketerad on korralikult paigaldatud.

1. Asetage kaabel kaabliõikuri teradele täisnurga all. Ärge üritage lõigata nurga all, sest see kahjustab töödeldavat detaili ja lõiketera.

2. Võtke käepideme(te)st tugevalt kinni.

Tõmmake ja hoidke päästikut kogu kasutamise ajal.

Päästiku tõmbamisel süttib LED-lamp.

Kui lõige on tehtud, või kui tööriist välja lülitub, laske päästik uuesti lahti ja vajutage lõikepakide avamiseks lähtestamislülitit.

Märkus: Töödeldav detail võib lõikamise ajal veidi liikuda.





## Tegutsemine rikete korral

- Kaabel võib olla lõigatud ja voolu juhtida. Teavitage sellest alati ohutuse eest vastutavat isikut, katkestage lõikamine, võtke tarvitusele sobivad ohutusmeetmed.
- Jälgige enne seadme juurde minemist ja selle puudutamist alati, et seade oleks toiteallikast lahutatud ja jääks toiteallikast lahutatuks
- vajutage ja hoidke lähtestusnuppu all, kuni lõikur tuleb täielikult lahti
- kontrollige aku laetust
- kontrollige, kas materjal ja selle paksus vastab tehnilistele andmetele
- Kui kahtlustate, et olete lõiganud pingestatud kaablit, laske kaablilõikurit kontrollida volitatud eritöökojas

## Kinni kiilunud lõiketerad

Mustus ja jäätmepõhjustada lõiketerade kinnikiilumist pärast lõiget

- Vajutage ja hoidke vabastusnuppu, et tööriist vabaneks.
- Eemaldage akupakk.
- Lõikepakkide avamise kohta vt piltidel olevat kirjeldust.
- Puhastage lõiketeradelt enne järgmise löike alustamist mustus ja jäätmepõhjustada.

## Lõikeotsad

- Ärge üritage lõigata nurga all, sest see kahjustab töödeldavat detaili ja lõiketera.
- Lõiketera eluea pikendamiseks lõigake puhast materjali. Enne lõikamist pühkige mustus ja jäätmepõhjustada materjalilt ja lõiketeradelt ära.

## HOOLDUS

Enne kõiki töid masina kallal võtke vahetatava aku välja.

Ärge kunagi avage kaablilõikurit, eemaldatavat akut ega laadijat.

Kontrollige, ega kaablilõikuril ei ole probleeme, näiteks müra või kinni kiilunud liikuvaid osi, mis võivad tööriista ohustada.

Kontrollige, ega lõiketööriistadel pole mõrsaid või muid kulumismärke.

Pärast töö lõppu puhastage ja määrige lõiketööriista.

Kontrollige, kas lõikeservad on teravad, ning vahetage kulunud lõikehaartsid.

Kui lõiketerad muutuvad sakiliseks või kahjustuvad, tuleb need välja vahetada. Vahetage lõiketerad alati välja koos. Kasutage ainult MILWAUKEE lõiketerasid.

Kontrollige, kas lõiketööriista saavad vabalt liikuda.

Vigastuste ja kahjustuste vältimiseks ärge asetage tööriista, eemaldatavat akut ega laadijat vette ega laske vedelikel neisse tungida.

Hoidke masina õhutuspiilud alati puhtad.

Seade sisaldab hüdraulikaõli, mis kujutab endast ohtu põhjaveele. Kontrollimatult väljalaskmine või asjatundmatu utiliseerimine on karistatav.

Seadet tuleb sõltuvalt kasutamisest hooldada iga 6 kuni 12 kuu järel.

Lisateavet hooldusintervallide kohta leiate ONE-KEY rakenduse kaudu.

Hooldus- ja remonditööd toimivad teostada üksnes volitatud oskustöökojas.

Kasutage ainult Milwaukee tarkvaid ja Milwaukee tagavaraosi. Detailid, mille väljavahetamine pole kirjeldatud, laske välja vahetada

Milwaukee klienteenduspunkti (vaadake bröüüri garantii / klienteenduspunkti aadressid).

Vajaduse korral võite tellida seadme läbilõikejoonise, näidates ära masina tüüpi ja andmesildil oleva numbriga. Selleks pöörduge klienteenduspunkti või otse: Techtronic Industries GmbH, Max-Eyth-Strasse 10, 71364 Winnenden, Germany.

## ONE-KEY™

Lisateabe saamiseks selle tööriista ONE-KEY funktsionaalsuse kohta lugege lisatud lühikasutusjuhend läbi või külastage internetis meie kodulehte <http://www.milwaukee.com/one-key>

ONE-KEY rakenduse saate App Store või Google Play kaudu oma nutitelefonile alla laadida.

Elektrostaatilise laengu korral lahutatakse Bluetoothi-ühendus ja rakenduse liides lülitub välja. Rakendus ei ole kasutatav 45 sekundit. Pärast 45 sekundi möödumist tuleb rakendus lüühistada. Tulemus jäi standardites EN 301489-1/ EN 301489-17 lubatud minimaalse võimsustaseme piires. Klient saab kasutusjuhiseid lugeda kasutusjuhendist.

## AKUD

Temperatuur üle 50 °C vähendab vahetatava aku töövõimet. Vältige pikemat soojenemist päikese või kütteseadme mõjul.

Hoidke laadija ja vahetatava aku ühenduskontaktid puhtad.

Optimaalse patareie eluea tagamiseks, pärast kasutamist lae patareiplokk täielikult. Pikemat aega mittekasutatud akusid laadige veel enne kasutamist.

Akud tuleks võimalikult pika kasutuse saavutamiseks pärast täislaadimist laadijast välja võtta.

Aku ladustamisel üle 30 päeva., Ladustage akut kuivas kohas u 27°C juures., Ladustage akut u 30-50% laetuseisendis., Laadige aku iga 6 kuu tagant täis.

Ärge visake tarvitatud vahetatavaid akusid tulle ega olmeprügisse. Milwaukee pakub vanade akude keskkonnahoidlikku kätlust; palun küsige oma erialaselt tarnijalt.

Ärge säilitage vahetatavaid akusid koos metallsemetega (lühiseht).

Laadige süsteemi M18 vahetatavaid akusid ainult süsteemi M18 laadijatega. Ärge laadige nendega teiste süsteemide akusid.

## LITIUMIOONAKUDE TRANSPORTIMINE

Liitiumioonakud on allutatud ohtlike ainete transportimisega seonduvatele õigusaktidele.

Nende akude transportimine peab toimuma kohalikest, siseriiklikest ja rahvusvahelistest eeskirjadest ning määrustest kinni pidades.

Tarbijad tohivad neid akusid edasiste piiranguteta tänaval transportida.

Liitiumioonakude kommentransport ekspedeerimisetevõtete kaudu on allutatud ohtlike ainete transportimisega seonduvatele õigusaktidele. Tarne-ettevalmistus- ja transporti tohivad teostada eranditult vastavalt koolitatud isikud. Kogu protsessi tuleb asjatundlikult jälgida.

Akude transportimisel tuleb järgida järgmisi punkte:

Tehke kindlaks, et kontaktid on lühiste vältimiseks kaitsitud ja isoleeritud. Pöörake tähelepanu sellele, et akupakk ei saaks pakendis nihkuda. Kahjustatud või välja voolanud akusid ei tohi kasutada. Pöörduge edasiste juhiste saamiseks ekspedeerimisetevõtete poole.

## EÜ VASTAVUSAVALDUS

Kinnitame oma ainuvastutusel, et „Tehniliste andmete“ all kirjeldatud toode vastab direktiivide kõigile asjakohastele sätetele 2011/65/EU RoHS, 2006/42/EÜ, 2014/30/EU, 2014/53/EU ning täidetud on järgmiste ühtlustatud standardite nõuded.

EN 62841-1:2015

EN 62479:2010

EN 60950-1:2006+A11:2009+A1:2010+A12:2011+AC:2011+A2:2013

EN 55014-1:2006+A1:2009+A2:2011

EN 55014-2:2015

EN 50581:2012

EN 301 489-1 V1.9.2 (2011-09)

EN 301 489-17 V2.2.1 (2012-09)

EN 300 328 V1.9.1 (2015-02)



Winnenden, 2017-05-03

Alexander Krug / Managing Director  
On volitatud koostama tehnilist dokumentatsiooni.

Techtronic Industries GmbH  
Max-Eyth-Straße 10, 71364 Winnenden, Germany

## SÜMBOLID



Palun lugege enne käikulaskmist kasutamisujuhend hoolikalt läbi.



**TÄHELEPANU!**  
tööeldava eseme küljest tükide eemalepaiskumine



Masinaga töötades kandke alati kaitseprille.



Elektrilöögi oht



**ETTEVAATUST! TÄHELEPANU! OHUD!**



Enne kõiki töid masina kallal võtke vahetatav aku välja.



Hoidke käed löikeinstrumendist ja teistest liikuvatest osadest eemal. Sõrmed võivad sattuda löikemehhanismi sisse ning maha lõigata või vigastusi saada.



Tarvikud - ei kuulu tarne komplekti, soovitatav täiendus on saadaval tarvikute programmis.



Elektriseadmeid ei tohi utiliseerida koos majapidamisprügiga. Elektrilised ja elektroonilised seadmed tuleb eraldi kokku koguda ning keskkonnasõbralikuks utiliseerimiseks vastavas käitlusettevõttes ära anda. Küsige kohalikest pädevatest ametitest või edasimüüjalt käitlusjaamade ja kogumispunktide kohta järele.



CE-märk



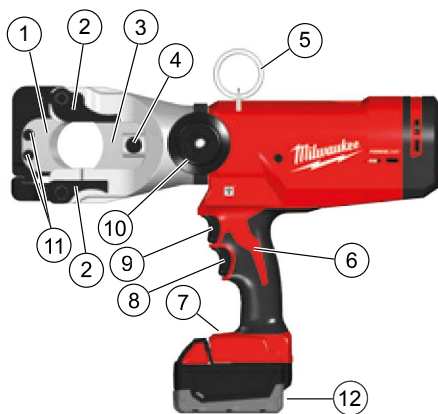
UkrSEPRO vastavusmärk.



Euraasia vastavusmärk.



ТЕХНИЧЕСКИЕ ДАННЫЕ	M18 HCC45
<b>Кабельный нож</b>	
Серийный номер изделия	4587 00 01... ... 000001-999999
Вольтаж аккумулятора	18 V
Номинальное усилие	77,8 kN
Диапазон резки Зависит от типа кабеля	макс. Ø 44 mm
ACSR: Алюминий-/Стальные тросы Медь / Алюминий	
Вес согласно процедуре EPTA 01/2003 (Li-Ion 2,0 Ah)	6,0 kg
<b>Информация по шумам</b>	
Значения замерялись в соответствии со стандартом EN 62841. Уровень шума прибора, определенный по показателю A, обычно составляет:	
Уровень звукового давления (Небезопасность K=3dB(A))	76,9 dB(A)
Уровень звуковой мощности (Небезопасность K=3dB(A))	87,9 dB(A)
<b>Пользуйтесь приспособлениями для защиты слуха.</b>	
<b>Информация по вибрации</b>	
Общие значения вибрации (векторная сумма трех направлений) определены в соответствии с EN 62841.	
Значение вибрационной эмиссии <sub>a</sub>	1,2 m/s <sup>2</sup>
Небезопасность K=	1,5 m/s <sup>2</sup>



#### Описание устройства

- |                            |                                      |
|----------------------------|--------------------------------------|
| ① Переднее лезвие          | ⑦ Светодиод                          |
| ② Рычаги разжимания тисков | ⑧ Курок разблокировки                |
| ③ Заднее лезвие            | ⑨ Пусковой курок                     |
| ④ Фиксирующий штифт лезвия | ⑩ Дополнительная рукоятка            |
| ⑤ Подвесной кронштейн      | ⑪ 5 mm винты с шестигранной головкой |
| ⑥ Рукоятка                 | ⑫ Аккумулятор                        |

#### ВНИМАНИЕ!

Указанный в настоящем руководстве уровень вибрации измерен в соответствии с технологией измерения, установленной стандартом EN 62841 и может использоваться для сравнения электроинструментов друг с другом. Он также подходит для предварительной оценки вибрационной нагрузки.

Указанный уровень вибрации представляет основные виды использования электроинструмента. Но если электроинструмент используется для других целей, используемый инструмент отклоняется от указанного или техническое обслуживание было недостаточным, то уровень вибрации может отклоняться от указанного. В этом случае вибрационная нагрузка в течение всего периода работы значительно увеличивается. Для точной оценки вибрационной нагрузки необходимо также учитывать время, в течение которого прибор отключен или включен, но фактически не используется. В этом случае вибрационная нагрузка в течение всего периода работы может существенно уменьшиться.

Установите дополнительные меры безопасности для защиты пользователя от воздействия вибрации, например: техническое обслуживание электроинструмента и используемого инструмента, поддержание рук в теплом состоянии, организация рабочих процессов.

**⚠ ВНИМАНИЕ** Ознакомьтесь с правилами техники безопасности, техническими регламентами, изображениями и данными, прилагаемыми к устройству. Упущения, допущенные при не соблюдении указаний и инструкций по технике безопасности, могут стать причиной электрического поражения, пожара и тяжелых травм.

**Сохраняйте эти инструкции и указания для будущего использования.**

#### ⚠ ТЕХНИКА БЕЗОПАСНОСТИ ПРИ РАБОТЕ С КАБЕЛЬНЫМ НОЖОМ

Для снижения риска взрыва, поражения электрическим током и порчи имущества и оборудования ни в коем случае не разрезайте подключенные к сети электрические кабели. Инструмент НЕ изолирован.

Держите руки и свободные элементы одежды вдали от режущих инструментов и других движущихся частей. Существует опасность тяжелого ранения, включая отрывание конечностей.

Рекомендуется спецодежда: пылезащитная маска, защитные перчатки, прочная и нескользящая обувь, каска и наушники.

Пользоваться средствами защиты. При работе с кабелерезом всегда носите защитные очки.

Принимайте защитные меры во избежание случайного включения кабелереза. Перед подключением съемного аккумулятора убедитесь в том, что пусковой курок зафиксирован стрелочным замком.

Ни в коем случае не держите кабелерез за резак.

Перед использованием всегда проверяйте резак на наличие трещин или других признаков износа.

Используйте кабелерез, съемный аккумулятор и зарядное устройство только в том случае, если они находятся в безупречном техническом состоянии.

Повреждения должны незамедлительно устраняться в сертифицированном сервисном центре.

Выньте аккумулятор из машины перед проведением с ней каких-либо манипуляций.

Кабелерез может использоваться только со вставленным режущим инструментом.

Перед выполнением разреза извлекайте любые установочные инструменты и ключи.

Во избежание ранения и порчи имущества ни в коем случае не опускайте инструмент, съемный аккумулятор и зарядное устройство в жидкость и не допускайте проникновения жидкости внутрь этих устройств.

Держите кабелерез обеими руками.

В случае сбоев во время процесса разрезания немедленно отпустите пусковой курок и нажмите кнопку гидравлического сброса.

Клапан откроется, а поршень вернется в исходное положение.

### ОСТАТОЧНЫЕ ОПАСНОСТИ

Перед началом процесса разрезания необходимо заблокировать доступ к месту проведения работ согласно местным нормам.

Допускается только разрезание кабелей, которые были отключены от источника питания.

Кабели и тросы не должны подвергаться воздействию механических сил.

Несоблюдение этого указания может привести к тяжелому ранению, смерти, пожару или другому повреждению имущества в результате удара электрическим током, взрыва и/или возникновения электрической дуги.

Носить защитные очки.

### ИСПОЛЬЗОВАНИЕ

Кабельный нож предназначен для разрезания обесточенных изолированных кабелей из меди, цельного алюминия или алюминия со стальным сердечником, а также стальных тросов (в зависимости от типа кабеля).

Разрезание или разделение кабелей и тросов с помощью этого кабельного ножа может производиться только лицами, знакомыми с правилами обращения с электроинструментами.

Оператор кабелереза должен проходить инструктаж касательно особых рисков, связанных с использованием этого инструмента, и касательно необходимых мер предосторожности. Инструктаж проводится перед первым использованием инструмента и в дальнейшем как минимум раз в год.

Эксплуатирующая компания обязана:

- предоставить руководство по эксплуатации в распоряжение оператора;
- и убедиться в том, что оператор прочел и принял к сведению информацию, предоставленную в руководстве.

**⚠ ВНИМАНИЕ** Ознакомьтесь с правилами техники безопасности, техническими регламентами, изображениями и данными, прилагаемыми к

устройству. Упущения, допущенные при не соблюдении указаний и инструкций по технике безопасности, могут стать причиной электрического поражения, пожара и тяжелых травм.

**Сохраняйте эти инструкции и указания для будущего использования.**

### ИСПОЛЬЗОВАНИЕ

#### Обустройство рабочей зоны

Перед началом работ необходимо убедиться, что провода или тросы обесточены, и поддерживать их в обесточенном состоянии при выполнении работ.

Если отсутствует возможность удостовериться в отключении кабеля или изолированной линии от питания, проведение работ запрещено.

Обязательно соблюдайте местные правила безопасности и нормы.

Кабели и тросы не должны подвергаться воздействию механических сил и при необходимости должны быть зафиксированы во избежание неконтролируемого перемещения после разрезания.

Не подвергайте инструменты воздействию дождя. Не используйте инструменты во влажной или сырой среде.

#### Подготовка кабелереза и аккумулятора

Перед каждым использованием выполняйте указанные ниже действия.

- Проверьте кабелерез на наличие внешних повреждений
- Проверьте режущий инструмент на наличие трещин или других признаков износа

Используйте только инструменты, находящиеся в безупречном состоянии!

Перед началом процесса разрезания необходимо проверить заряд аккумулятора: он должен составлять не менее 33 % (см. иллюстрированное описание).

Перед началом работы может потребоваться зарядка аккумулятора.

#### Подготовка к процессу разрезания

Расположите кабели или тросы на опоре или зафиксируйте их, чтобы снизить риск неконтролируемого перемещения.

В частности, свободно висящие провода и тросы подвержены неконтролируемому перемещению, что может стать причиной ранений и/или порчи имущества.

Режущая головка должна располагаться под углом 90° к кабелю или тросу, чтобы они пролегли в открытом зеве режущего инструмента без натяжения, что позволит избежать нежелательных усилий разрезания.

**⚠ ВНИМАНИЕ:** Для снижения риска взрыва, поражения электрическим током и порчи имущества и оборудования ни в коем случае не разрезайте подключенные к сети электрические кабели.

Инструмент НЕ изолирован. Контакт с цепью под напряжением может привести к тяжелому ранению или смерти. Перед выполнением разреза отключите питание. Ни в коем случае не разрезайте газо- или водопроводы. Держите руки на безопасном расстоянии от режущих кромок и движущихся деталей. Возможны



**глубокие порезы или отрывание конечностей.**

**Перед заменой или удалением вспомогательных принадлежностей всегда извлекайте аккумулятор. Используйте вспомогательные принадлежности, специально рекомендованные для этого инструмента. Другие принадлежности могут представлять опасность.**

**Для снижения риска ранения носите защитные очки или очки с боковыми щитками.**



**ВНИМАНИЕ: Во избежание ранения разрежьте только рекомендуемые для лезвий материалы. (см. раздел «Спецификации») Не пытайтесь разрезать другие материалы.**

## Разрезание

• Перед разрезанием убедитесь в том, что лезвия установлены правильно.

1. Направляйте кабель к режущей поверхности кабельного ножа под прямым углом. Не пытайтесь выполнять угловые разрезы, поскольку это приведет к повреждению заготовки и лезвий.

2. Крепко возьмитесь за рукоятку.

Нажмите и удерживайте курок во время работы.

При нажатии пускового курка загорается светодиодный индикатор.

После разрезания или выключения инструмента отпустите пусковую кнопку и нажмите возвратный выключатель, чтобы открыть зев режущего инструмента.

*Примечание: Во время разрезания заготовка может слегка смещаться.*

## Действия в случае сбоев

- Если существует вероятность того, что разрезанный кабель находится под напряжением, обязательно уведомите об этом ответственного за безопасность, останавливайте процесс разрезания и принимайте соответствующие меры безопасности
- Всегда убеждайтесь в том, что устройство является и остается обесточенным, прежде чем приближаться и прикасаться к нему
- Нажмите и удерживайте кнопку сброса, пока режущее устройство не откроется полностью
- Проверьте заряд аккумулятора
- Проверьте материал и его толщину согласно техническим данным
- Если есть подозрение касательно разрезания токоведущего кабеля, необходимо проверить кабелерез в уполномоченной специализированной мастерской

## Заклинивание лезвий

Грязь и посторонние частицы могут приводить к заклиниванию лезвий после разрезания

- Нажмите и удерживайте курок разблокировки, чтобы вернуть инструмент в исходное состояние.
- Извлеките аккумулятор.
- Для того чтобы открыть зев режущего инструмента, следуйте иллюстрированному описанию
- Перед началом нового процесса разрезания удалите грязь и посторонние частицы с лезвий.

## Советы по разрезанию

- Не пытайтесь выполнять угловые разрезы, поскольку это приведет к повреждению заготовки и лезвий.
- Для увеличения срока службы лезвий разрежьте чистый материал. Перед началом разрезания вытирайте грязь и посторонние частицы с материала и лезвий.

## ОБСЛУЖИВАНИЕ

Выньте аккумулятор из машины перед проведением с ней каких-либо манипуляций.

Ни в коем случае не вскрывайте кабелерез, съемный аккумулятор или зарядное устройство.

Проверяйте кабелерез на наличие каких-либо проблем, таких как шумы или заклинивание движущихся деталей, которое может повлиять на работу инструмента.

Проверьте режущие инструменты на наличие трещин или других признаков износа.

По завершению работ очистите и смазывайте режущие инструменты.

Проверяйте остроту режущих кромок и заменяйте изношенные резки.

Заменяйте лезвия, если они имеют зазубрины или повреждения. Всегда заменяйте лезвия полным комплектом. Используйте только лезвия MILWAUKEE.

Убедитесь в том, что режущие инструменты движутся свободно.

Во избежание ранения и порчи имущества ни в коем случае не опускайте инструмент, съемный аккумулятор и зарядное устройство в жидкость и не допускайте проникновения жидкости внутрь этих устройств.

Всегда держите охлаждающие отверстия чистыми.

В устройстве содержится гидравлическое масло, представляющее опасность для грунтовых вод. Неконтролируемый слив или ненадлежащая утилизация наказывается штрафом.

Техобслуживание устройства необходимо выполнять один раз в шесть—двенадцать месяцев в зависимости от использования.

Подробную информацию об интервалах обслуживания можно получить с помощью приложения ONE-KEY.

Работы по техобслуживанию и ремонту могут производиться только в сертифицированных сервисных центрах.

Пользуйтесь аксессуарами и запасными частями Milwaukee. В случае возникновения необходимости в замене, которая не была описана, обращайтесь в один из сервисных центров по обслуживанию электроинструментов Milwaukee (см. список сервисных организаций).

При необходимости может быть заказан чертеж инструмента с трехмерным изображением деталей. Пожалуйста, укажите номер и тип инструмента и закажите чертеж у Ваших местных агентов или непосредственно у Techtron Industries GmbH, Max-Eyth-Straße 10, 71364 Winnenden, Germany.

## ONE-KEY™

Для получения более подробной информации о функциях ONE-KEY данного инструмента прочтите прилагаемое краткое руководство или посетите наш сайт в Интернете по адресу <http://www.milwaukeeetool.com/one-key>

Вы можете загрузить приложение ONE-KEY на свой смартфон через App Store или Google Play.

При возникновении электростатического разряда Bluetooth-связь будет прервана, а интерфейс приложения будет закрыт. Не используйте приложение в течение следующих 45 секунд. Через 45 секунд перезагрузите приложение, чтобы восстановить работу. Мы предполагаем, что результат будет находиться в рамках минимальной приемлемой производительности согласно EN 301489-1/ EN 301489-17. Мы предоставим заказчику инструкции по эксплуатации в руководстве пользователя.

## АККУМУЛЯТОР

Температура выше 50°C снижает работоспособность аккумуляторов. Избегайте продолжительного нагрева или прямого солнечного света (риск перегрева).

Контакты зарядного устройства и аккумуляторов должны содержаться в чистоте.

Для обеспечения оптимального срока службы аккумуляторов необходимо полностью заряжать после использования прибора. Перед использованием аккумулятора, которым не пользовались некоторое время, его необходимо зарядить.

Для достижения максимально возможного срока службы аккумуляторы после зарядки следует вынимать из зарядного устройства.

При хранении аккумулятора более 30 дней; Храните аккумулятор при 27°C в сухом месте., Храните аккумулятор с зарядом примерно 30% - 50%, Каждые 6 месяцев аккумулятор следует заряжать.

Не выбрасывайте использованные аккумуляторы вместе с домашним мусором и не сжигайте их. Дистрибьюторы компании Milwaukee предлагают восстановление старых аккумуляторов, чтобы защитить окружающую среду.

Не храните аккумуляторы вместе с металлическими предметами во избежание короткого замыкания.

Для зарядки аккумуляторов модели M18 используйте только зарядным устройством M18. Не заряжайте аккумуляторы других систем.

## ТРАНСПОРТИРОВКА ЛИТИЙ-ИОННЫХ АККУМУЛЯТОРОВ

Литий-ионные аккумуляторы в соответствии с предписаниями закона транспортируются как опасные грузы.

Транспортировка этих аккумуляторов должна осуществляться с соблюдением местных, национальных и международных предписаний и положений.

Эти аккумуляторы могут перевозиться по улице потребителем без дальнейших обязательств.

При коммерческой транспортировке литий-ионных аккумуляторов экспедиторскими компаниями действуют положения, касающиеся транспортировки опасных грузов. Подготовка к отгрузке и транспортировка должны производиться исключительно специально обученными лицами. Весь процесс должен находиться под контролем специалиста.

При транспортировке аккумуляторов необходимо соблюдать следующие пункты:

Убедитесь, что контакты защищены и изолированы во избежание короткого замыкания. Следите за тем, чтобы аккумуляторный блок не соскользнул внутри упаковки. Транспортировка поврежденных или протекающих аккумуляторов запрещена. За дополнительными указаниями обратитесь к своему экспедитору.



РУС

## ДЕКЛАРАЦИЯ О СООТВЕТСТВИИ СТАНДАРТАМ ЕС

Мы несем исключительную ответственность за то, что изделие, описанное в разделе «Техническая информация» соответствует всем применимым положениям директив 2011/65/EU RoHS, 2006/42/EC, 2014/30/EU, 2014/53/EU а также следующим согласованным стандартам

EN 62841-1:2015  
EN 62479:2010  
EN 60950-1:2006+A11:2009+A1:2010+A12:2011+AC:2011+A2:2013  
EN 55014-1:2006+A1:2009+A2:2011  
EN 55014-2:2015  
EN 50581:2012  
EN 301 489-1 V1.9.2 (2011-09)  
EN 301 489-17 V2.2.1 (2012-09)  
EN 300 328 V1.9.1 (2015-02)



Winnenden, 2017-05-03

Alexander Krug / Managing Director  
Уполномочен на составление технической документации.  
Techtronic Industries GmbH  
Max-Eyth-Straße 10, 71364 Winnenden, Germany

## СИМВОЛЫ



Пожалуйста, внимательно прочтите инструкцию по использованию перед началом любых операций с инструментом.



**ВНИМАНИЕ!**  
Опасность получения травм из-за разлетающихся обломков



При работе с инструментом всегда надевайте защитные очки.



Опасность поражения электрическим током



**ВНИМАНИЕ! ПРЕДУПРЕЖДЕНИЕ! ОПАСНОСТЬ!**



Выньте аккумулятор из машины перед проведением с ней каких-либо манипуляций.



Держите руки вдали от режущего инструмента и других движущихся частей. Следствием попадания пальцев внутрь режущего механизма может оказаться их отрезание или травмирование.



Принадлежности - В стандартную комплектацию не входит, поставляется в качестве дополнительной принадлежности.



Электрические устройства нельзя утилизировать вместе с бытовым мусором. Электрические и электронные устройства следует собирать отдельно и сдавать в специализированную утилизирующую компанию для утилизации в соответствии с нормами охраны окружающей среды. Сведения о центрах вторичной переработки и пунктах сбора можно получить в местных органах власти или у вашего специализированного дилера.



Знак CE



Знак UkrSEPRO Соответствия



Знак Евразийского Соответствия

## Транспортировка:

Категорически не допускается падение и любые механические воздействия на упаковку при транспортировке. При разгрузке/погрузке не допускается использование любого вида техники, работающей по принципу зажима упаковки.

## Хранение:

Необходимо хранить в сухом месте. Необходимо хранить вдали от источников повышенных температур и воздействия солнечных лучей. При хранении необходимо избегать резкого перепада температур. Хранение без упаковки не допускается.

## Срок службы изделия:

Срок службы изделия составляет 5 лет. Не рекомендуется к эксплуатации по истечении 5 лет хранения с даты изготовления без предварительной проверки.

## Дата изготовления (код даты)

отштампован на поверхности корпуса изделия.

Пример:

A2015, где 2015 - год изготовления

A - месяц изготовления

Определить месяц изготовления можно согласно приведенной ниже таблице.

A - Январь	G - Июль
B - Февраль	H - Август
C - Март	J - Сентябрь
D - Апрель	K - Октябрь
E - Май	L - Ноябрь
F - Июнь	M - Декабрь

Тектроник Индастриз ГмбХ  
Германия, 71364, Винненден,  
ул. Макс-Ай-Штрассе, 10  
Сделано в КНР

ТЕХНИЧЕСКИ ДАННИ	
Клещи резачки за кабели	M18 HCC45
Производствен номер	4587 00 01... ... 000001-999999
Напрежение на акумулатора	18 V
сила на пресоване	77,8 kN
Диапазон на рязане Зависи от типа кабел	макс. Ø 44 mm
ACSR: Алюминий-/Стоманени въжета Мед / Алюминий	
Тегло съгласно процедурата EPTA 01/2003 (Li-Ion 2,0 Ah)	6,0 kg
<b>Информация за шума</b>	
Измерените стойности са получени съобразно EN 62841. Оцененото с А ниво на шума на уреда е съответно:	
Равнище на звуковото налягане (Несигурност K=3dB(A))	76,9 dB(A)
Равнище на мощността на звука (Несигурност K=3dB(A))	87,9 dB(A)
<b>Да се носи предпазно средство за слуха!</b>	
<b>Информация за вибрациите</b>	
Общите стойности на вибрациите (векторна сума на три посоки) са определени в съответствие с EN 62841.	
Стойност на емисиите на вибрациите <sub>h</sub>	1,2 m/s <sup>2</sup>
Несигурност K=	1,5 m/s <sup>2</sup>

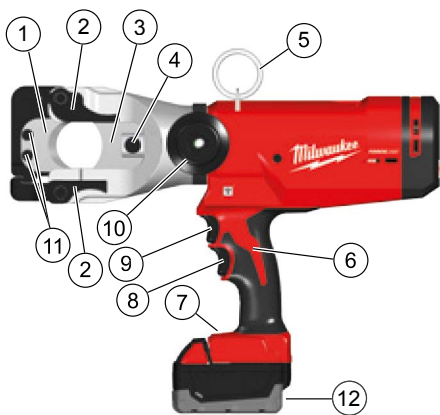
### ВНИМАНИЕ!

Посоченото в тези инструкции ниво на вибрациите е измерено в съответствие със стандартизиран в EN 62841 измервателен метод и може да се използва за сравнение на електрически инструменти помежду им. Подходящ е и за временна оценка на вибрационното натоварване.

Посоченото ниво на вибрациите представя основните приложения на електрическия инструмент. Ако обаче електрическият инструмент се използва за друго предназначение, с различни сменяеми инструменти или при недостатъчна техническа поддръжка, нивото на вибрациите може да е различно. Това чувствително може да увеличи вибрационното натоварване по време на целия работен цикъл.

За точната оценка на вибрационното натоварване трябва да се вземат предвид и периодите от време, в които уредът е изключен или работи, но в действителност не се използва. Това чувствително може да намали вибрационното натоварване по време на целия работен цикъл.

Определете допълнителни мерки по техника на безопасност в защита на обслужващия работник от въздействието на вибрациите като например: техническа поддръжка на електрическия инструмент и сменяемите инструменти, поддръжане на ръцете топли, организация на работния цикъл.



### Описание на устройството

- |  |                                     |
|--|-------------------------------------|
| ① Предно острие                        | ⑦ Светодиод                         |
| ② Лостове за освобождаване на челюстта | ⑧ Освобождаващ механизъм на спусъка |
| ③ Задно острие                         | ⑨ Спусък                            |
| ④ Щифт за фиксиране на острието        | ⑩ Допълнителна ръкохватка           |
| ⑤ Ухо                                  | ⑪ 5 mm Шестостенни винтове          |
| ⑥ Ръкохватка                           | ⑫ Акумулаторна батерия              |



### ВНИМАНИЕ Прочетете всички указания за безопасност, инструкции, изображенията и техническите данни, които получавате с уреда.

Пропуски при спазването на указанията и на инструкциите за безопасност могат да доведат до токов удар, пожар и/или тежки наранявания.

### Запазете всички указания и инструкции за безопасност за бъдещето.



### УКАЗАНИЯ ЗА БЕЗОПАСНОСТ ПРИ РАБОТА С КЛЕЩИ РЕЗАЧКИ ЗА КАБЕЛИ

За да намалите риска от експлозия, токов удар и увреждане на собственост, никога не прерязвайте електрически кабели под напрежение. Инструментът НЕ е изолиран.

Дръжте ръцете си и широки дрехи далеч от режещи инструменти и други движещи се части. Съществува риск от сериозно нараняване, включително отрязване на крайниците.

Препоръчват се защитно облекло и прахозащитна маска, защитни ръкавици, здрави и нехлъзгащи се обувки, каска и предпазни средства за слуха.

Да се използват предпазни средства. Винаги носете предпазни очила при работа с резачката за кабели.

Не допускайте случайното стартиране на резачката за кабели. Преди да свържете към сменяема батерия, уверете се, че спусъкът е блокиран чрез предпазния ключ.

Никога не хващайте резачката за кабели за режещите челюсти. Преди употреба, винаги проверявайте режещите челюсти за пукнатини и други признаци на износване.





Използвайте резачката за кабели, сменяемата батерия и зарядното устройство само ако са в перфектно техническо състояние.

Отстранете повредите незабавно в оторизиран специализиран сервис.

Преди започване на каквито е да работи по машината извадете акумулатора.

Резачката за кабели може да се използва само когато е поставен резец.

Отстранете всички инструменти и ключове за настройка, преди да извършите срязването.

За да избегнете нараняване и повреда, никога не потапяйте инструмента, сменяемата батерия или зарядното в течност и не позволявайте проникването на течност в тях.

Хващайте резачката на кабели за двете дръжки.

Ако възникне неизправност, докато режете, веднага освободете спусъка и натиснете бутона за хидравлично връщане към изходно положение.

Клапанът се отваря и буталото се връща в изходна позиция.



**БЪЛ**

### ОСТАТЪЧНИ РИСКОВЕ

Преди да започнете да режете, достъпът до зоната трябва да бъде блокиран в съответствие с местните разпоредби.

Никога не режете кабели, които не са изключени от захранването.

Кабелите и въжетата не бива да се излагат на механични сили. Неспазването на тази инструкция може да причини сериозни наранявания, смърт, пожар и други имуществени вреди в резултат на токов удар, експлозия и/или електрически дъги.

Носете предпазни очила.

### ИЗПОЛЗВАНЕ ПО ПРЕДНАЗНАЧЕНИЕ

Клещите резачки са подходящи за рязане на изолирани кабели, които не са под напрежение с медни и алуминиеви жила, ACSR кабели (алуминиево-стоманени проводници), стоманени въжета, съобразно типа на кабела.

Рязането съответно разделянето на кабели и въжета с помощта на тези клещи резачки може да се извършва само от инструктиран електротехнически персонал.

Операторът на тази резачка за кабели трябва да бъде инструктиран относно специфичните опасности, свързани с използването на тази резачка за кабели и относно съществените мерки за безопасност, преди да започне работа с нея за първи път и поне веднъж в годината след това.

Фирмата изпълнител следва да:

- осигури на оператора достъп до ръководството за експлоатация и
- да се увери, че операторът го е прочел и разбрал.

**⚠ ВНИМАНИЕ** Прочетете всички указания за безопасност, инструкции, изображенията и техническите данни, които получавате с уреда.

Пропуски при спазването на указанията и на инструкциите за безопасност могат да доведат до токов удар, пожар и/или тежки наранявания.

**Запазете всички указания и инструкции за безопасност за бъдещето.**

## ПРИЛОЖЕНИЕ

### Подготовка на работното поле

Преди започване на работа се спира подаването на напрежение към проводниците или въжетата и за времето на работните действия се осигурява безопасността.

Не извършвайте никаква работа, ако не сте напълно сигурни, че кабелът или изолираният проводник е изключен.

Задължително да се спазват местните правила за безопасност и разпоредби.

Кабелите и въжетата не бива да се излагат на механични сили и евентуално след срязването трябва да се обезопасят срещу неконтролирани движения.

Не излагайте уреда на дъжд и не употребявайте в мокра или влажна среда.

### Подготовка на резачката за кабели и на батерията

Преди всяка употреба:

- Огледайте резачката на кабели за външни дефекти;
- Проверете резачката за пукнатини и други признаци на износване;

Използвайте само ако е в отлично състояние!

Преди да започнете да режете, трябва да проверите капацитета на батерията: минимум 33% (вж. илюстрираното описание).

Може да е необходимо да заредите батерията, преди да започнете работа.

### Подготовка за рязане

Придържайте и фиксирайте кабела за рязане, за да се сведе до минимум рискът от неконтролирано движение.

Най-вече кабели в свободното пространство и въжета могат да се движат неконтролируемо и да причинят наранявания и / или повреди.

Режещата глава трябва е разположена под ъгъл от 90° спрямо кабела или въжето, така че той/то да попадне без обтягане в отворените челюсти и да се избегнат неблагоприятни усилия при рязане.



**ВНИМАНИЕ:** За да намалите риска от експлозия, токов удар и увреждане на собственост, никога не прерязвайте електрически кабели под напрежение.

Инструментът НЕ е изолиран. Контактът с ел. верига под напрежение може да причини сериозни наранявания или смърт. Изключете захранването, преди да извършите срязването. Дръжте ръцете си далеч от режещите ръбове и движещите се части. В противен случай може да се стигне до разкъсване и ампутация.

Винаги изваждайте батерията, преди да подмените или отстранявате аксесоари. Използвайте само аксесоари, които се препоръчват специално за този инструмент. Различни аксесоари могат да бъдат опасни.

За да намалите риска от нараняване, носете защитни очила или очила със странични предпазители.



**ВНИМАНИЕ:** За да намалите риска от нараняване, резете единствено материали, подходящи за остриетата. (вж. „Спецификации“). Не опитвайте да режете други материали.

### Рязане

• Преди рязане се уверете, че остриетата са поставени правилно.

1. Прокарайте кабела перпендикулярно на остриетата на клещите резачки. Не опитвайте да режете под ъгъл, тъй като това ще повреди кабела и остриетата.

2. Хванете здраво ръкохватките.

Натиснете спусъка и го задръжте, докато трае операцията. Когато спусъкът бъде дръпнат, ще светне светодиоден индикатор.

След като срезът е изпълнен или инструментът изключи, отпуснете бутона за освобождаване и натиснете възвратния прекъсвач, за да се отворят челюстите.

*Забележка: Възможно е по време на разрязването кабелът да се мърда леко.*

### Действия при неизправности

- Кабелът може да е подрязан и токопроводящ, винаги информирайте служителя по безопасността, прекратете процеса на рязане, вземете подходящи мерки за безопасност
- Винаги проверявайте дали устройството е изключено от захранването, както и че то няма да бъде включено, преди да се приближите и да го докоснете.
- Натиснете и задръжте бутона за връщане в изходно положение, докато резачката не се отвори напълно.
- Проверете заряда на батерията.
- Проверете дали материалът и неговата дебелина отговарят на техническите спецификации.
- Ако се съмнявате, че сте срязали кабел, по който тече ток, резачката за кабели трябва да бъде инспектирана в упълномощен специализиран сервис.

### Засичане на остриетата

Останалите след срязване мръсотия и отломки могат да предизвикат засичане на остриетата.

- Натиснете и задръжте освобождаващия спусък, за да върнете инструмента в изходно състояние.
- Извадете батерията.
- Следвайте описанието на изображението за отваряне на челюстите
- Почистете мръсотията и отломките от остриетата, преди да започнете друго рязане.

### Съвети за рязане

- Не опитвайте да режете под ъгъл, тъй като това ще повреди кабела и остриетата.
- Резете почистени кабели, за да удължите живота на острието. Избършете мръсотията и отломките от кабелите и остриетата, преди да започнете рязането.

### ПОДДРЪЖКА

Преди започване на каквито е да работи по машината извадете акумулатора.

Никога не отваряйте резачката, сменяемата батерия или зарядното устройство.

Проверявайте резачката за проблеми, като например шум или засичане на движещите се части, които могат да повлияят на работата на инструмента.

Проверявайте резците за пукнатини и други признаци на износване.

Когато приключите работата, почистете и смажете резците.

Проверявайте дали режещите ръбове са остри и подменяйте износените режещи челюсти.

Подменяйте остриетата, когато се нащърбят или повредят. Винаги подменяйте и двете остриета едновременно. Използвайте единствено остриета MILWAUKEE.

Проверявайте дали резците могат да се движат свободно.

За да избегнете нараняване и повреда, никога не потапяйте инструмента, сменяемата батерия или зарядното в течност и не позволявайте проникването на течност в тях.

Вентилационните шлицы на машината да се поддържат винаги чисти.

Уредът съдържа хидравлично масло, което представлява опасност за подпочвените води. Неконтролираното му изпускане или неправомерно изхвърляне като отпадък се наказва от закона.

Устройството трябва да се обслужва на всеки шест до дванадесет месеца, в зависимост от честотата на използването му.

Можете да научите повече за интервалите на обслужване чрез приложението ONE-KEY.

Свързаните с ремонт и поддръжка работи следва да се извършват само от оторизирани специализирани сервиси.

Да се използват само аксесоари на Milwaukee и резервни части на Milwaukee. Елементи, чиято подмяна не е описана, да се дадат за подмяна в сервис на Milwaukee (вижте брошурата „Гаранция и адреси на сервиси“).

При необходимост можете да поискате за уреда от Вашия сервис или директно от Techtronic Industries GmbH, Max-Eyth-Straße 10, 71364 Winnenden, Germany, чертеж за в случай на експлозия, като посочите типа на машината и номер върху заводската табелка.

### ONE-KEY™

За да научите повече за ONE KEY функционалността на този инструмент, прочетете приложеното ръководство за бърз старт или ни посетете в интернет на <http://www.milwaukeetool.com/one-key>

Можете да изтеглите ONE KEY приложението на Вашия смартфон от App Store или Google Play.

При възникване на електростатичен разряд Bluetooth комуникацията ще бъде прекъсната, а интерфейсът на приложението ще се затвори. Приложението няма да може да бъде стартирано в следващите 45 секунди. След изтичането на 45-те секунди, приложението трябва да бъде върнато към изходните си настройки, за да може да се използва. Ние считаме, че този резултат отговаря на нашето минимално допустимото ниво на работа съгласно стандарти EN 301489-1/EN 301489-17. На клиента ще бъдат предоставени указания за експлоатация в ръководството за употреба.



## АКУМУЛАТОРИ

Температура над 50°C намалява мощността на акумулатора. Да се избягва по-продължително нагриване на слънце или от отопление.

Поддържайте чисти присъединителните контакти на зарядното устройство и на акумулатора.

За оптимална продължителност на живот след употреба батериите трябва да се заредят напълно. Акумулатори, които не са ползвани по-дълго време, преди употреба да се дозаредят.

За възможно по-дълга продължителност на живот батериите трябва да се изваждат от уреда след зареждане.

При съхранение на батериите за повече от 30 дни; съхранявайте батерията при припл. 27°C и на сухо място., Съхранявайте батерията при 30 до 50 % от заряда., Зареждайте батерията на всеки 6 месеца.

Не изхвърляйте изхабените акумулатори в огъня или в при битовите отпадъци. Milwaukee предлага екологосъобразно събиране на старите акумулатори; моля попитайте Вашия специализиран търговец.

Не съхранявайте акумулаторите заедно с метални предмети (опасност от късо съединение).

Акумулатори от системата M18 да се зареждат само със зарядни устройства от системата M18 laden. Да не се зареждат акумулатори от други системи.

## ПРЕВОЗ НА ЛИТИЕВО-ЙОННИ БАТЕРИИ

Литиево-йонните батерии са предмет на законовите разпоредби за превоз на опасни товари.

Превозът на тези батерии трябва да се извършва в съответствие с местните, националните и международните разпоредби и регламенти.

Потребителите могат да превозват тези батерии по пътя без допълнителни изисквания.

Превозът на литиево-йонни батерии от транспортни компании е предмет на законовите разпоредбите за превоз на опасни товари. Подготовката на превоза и самият превоз трябва да се извършват само от обучени лица. Целият процес трябва да е под професионален надзор.

Спазвайте следните изисквания при превоз на батерии:

Уверете се, че контактите са защитени и изолирани, за да се избегне късо съединение. Уверете се, че няма опасност от разместване на батерията в опаковката. Не превозвайте повредени батерии или такива с течове. Обърнете се към Вашата транспортна компания за допълнителни инструкции.

## СЕ - ДЕКЛАРАЦИЯ ЗА СЪОТВЕТСТВИЕ

Ние декларираме, изцяло на наша отговорност, че продуктът, описан в „Технически данни“, съответства на всички необходими изисквания на директивите 2011/65/EC RoHS, 2006/42/EO, 2014/30/EC, 2014/53/EU и че са използвани следните хармонизирани стандарти

EN 62841-1:2015  
EN 62479:2010  
EN 60950-1:2006+A11:2009+A1:2010+A12:2011+AC:2011+A2:2013  
EN 55014-1:2006+A1:2009+A2:2011  
EN 55014-2:2015  
EN 50581:2012  
EN 301 489-1 V1.9.2 (2011-09)  
EN 301 489-17 V2.2.1 (2012-09)  
EN 300 328 V1.9.1 (2015-02)



Winnenden, 2017-05-03

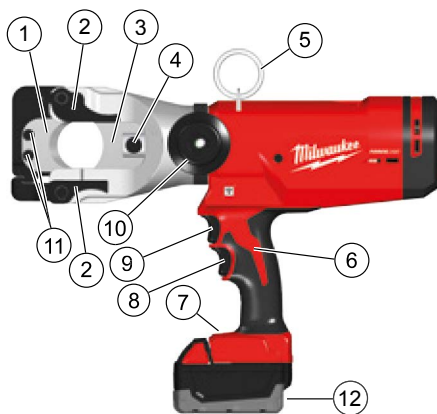
Alexander Krug / Managing Director  
Упълномощен за съставяне на техническата документация  
Techtronic Industries GmbH  
Max-Eyth-Straße 10, 71364 Winnenden, Germany



DATE TEHNICE	M18 HCC45
<b>Tăietor cablu</b>	
Număr producție	4587 00 01... ... 000001-999999
Tensiune acumulator	18 V
forța de presare	77,8 kN
Zona de tăiere Depinde de tipul de cablu	max. Ø 44 mm
ACSR: Aluminii-/Cordoane din oțel Cupru / Aluminii	
Greutatea conform „EPTA procedure 01/2003” (Li-Ion 2,0 Ah)	6,0 kg
<b>Informație privind zgomotul</b>	
Valori măsurate determinate conform EN 62841. Nivelul de zgomot evaluat cu A al aparatului este tipic de:	
Nivelul presiunii sonore (Nesiguranță K=3dB(A))	76,9 dB(A)
Nivelul sunetului (Nesiguranță K=3dB(A))	87,9 dB(A)
<b>Purtați căști de protecție</b>	
<b>Informații privind vibrațiile</b>	
Valorile totale de oscilație (suma vectorială pe trei direcții determinate conform normei EN 62841.	
Valoarea emisiei de oscilația <sub>h</sub>	1,2 m/s <sup>2</sup>
Nesiguranță K=	1,5 m/s <sup>2</sup>

### AVERTISMENT!

Gradul de oscilație indicat în prezentele instrucțiuni a fost măsurat în conformitate cu o procedură de măsurare normală prin norma EN 62841 și poate fi folosit pentru a compara uneltele electrice între ele. El se pretează și pentru o evaluare provizorie a solicitării la oscilații. Gradul de oscilație indicat reprezintă aplicațiile principale ale uneltelor electrice. În cazul în care însă uneltele electrice au fost folosite pentru alte aplicații, ori au fost folosite uneltele de muncă diferite ori acestea nu au fost supuse unei suficiente inspecții de întreținere, gradul de oscilație poate fi diferit. Acest fapt poate duce la o creștere netă a solicitărilor la oscilații dealungul întregii perioade de lucru. În scopul unei evaluări exacte a solicitării la oscilații, urmează să fie luate în considerație și perioadele de timp în care aparatul a fost oprit ori funcționează dar, în realitate, el nu este folosit în mod practic. Acest fapt poate duce la o reducere netă a solicitărilor la oscilații dealungul întregii perioade de lucru. Stabiliți măsuri de siguranță suplimentare în scopul protecției utilizatorului de efectele oscilațiilor, de exemplu: inspecție de întreținere a uneltelor electrice și a celor de muncă, păstrarea caldă a mâinilor, organizarea proceselor de muncă.



### Descrierea dispozitivului

- |                                  |   |
|----------------------------------|---|
| ① Lamă pentru încărcător frontal | ⑦ LED   |
| ② Levier eliberare fălci         | ⑧ Declanșator de eliberare                    |
| ③ Lamă spate                     | ⑨ Declanșator                                 |
| ④ Știft fixare lamă              | ⑩ Mâner suplimentar                           |
| ⑤ Etrier de suspendare           | ⑪ 5 mm Șurub cu cap înecat și locaș hexagonal |
| ⑥ Mâner                          | ⑫ Acumulator                                  |

**⚠ AVERTISMENT Citiți toate instrucțiunile de securitate, recomandările, reprezentările grafice și datele pe care le primiți livrate împreună cu aparatul.** Nerespectarea indicațiilor de avertizare și a instrucțiunilor poate provoca electrocutare, incendii și/sau răni grave.  
**Păstrați toate indicațiile de avertizare și instrucțiunile în vederea utilizărilor viitoare.**

### ⚠ INSTRUCȚIUNI DE SECURITATE PENTRU TĂIETOARE DE CABLU

Pentru a reduce riscul de explozie, electrocutare, daune materiale și deteriorarea echipamentului, nu tăiați niciodată cabluri electrice aflate sub tensiune. Dispozitivul NU este izolat.

Țineți mâinile și îmbrăcămintea largă departe de piesele de tăiat sau de alte componente mobile. Există riscul unor răni severe, incluzând amputarea membrilor.

Se recomandă utilizarea hainelor de protecție ca de ex. Măști contra prafului, mănuși de protecție, încălțăminte stabilă nealunecoasă, cască și apărătoare de urechi.

Folosiți echipament de protecție. Purtați întotdeauna măști de siguranță pentru ochi atunci când lucrați cu dispozitivul de tăiere al cablurilor.

Preveniți pornirea accidentală a dispozitivului de tăiere al cablurilor. Înainte de conectarea bateriei detașabile, asigurați-vă că declanșatorul este asigurat cu elementul de blocare.

Nu țineți niciodată dispozitivul de tăiere a cablurilor de fălcile de tăiere.

Înainte de utilizare, verificați întotdeauna ca fălcile de tăiere să nu prezinte crăpături sau alte semne de uzură.



Ro

Utilizați dispozitivul de tăiere al cablurilor, bateria detașabilă și încărcătorul numai dacă sunt în stare tehnică perfectă.

Deteriorările trebuie reparate imediat de către un atelier autorizat.

Îndepărtați acumulatorul înainte de începerea lucrului pe mașina Dispozitivul de tăiere al cablurilor are voie să fie utilizat numai cu o unealtă de tăiere inserată.

Înainte de efectuarea tăierii, îndepărtați toate uneltele de reglare și cheile de piulițe fixe.

Pentru a evita rănirile și deteriorările, nu scufundați niciodată în lichide unealta, bateria detașabilă sau încărcătorul și nu permiteți niciodată pătrunderea lichidelor în acestea.

Țineți întotdeauna cu ambele mâini dispozitivul de tăiere al cablurilor.

În cazul defecțiunilor în timpul procesului de tăiere, eliberați imediat declanșatorul și apăsați butonul de resetare a sistemului hidraulic.

Ventilul se deschide iar pistonul revine în poziția inițială.

## RISCURI REZIDUALE

Înainte de începerea procesului de tăiere, accesul trebuie restricționat în conformitate cu reglementările locale.

Tăiați întotdeauna cablurile numai după ce au fost deconectate de la alimentarea electrică.

Cablurile și cordoanele nu au voie să fie expuse la forțe mecanice.

Incapacitatea de conformare cu această instrucțiune poate avea ca urmări răniri grave, deces, incendiu și alte daune materiale, ca rezultat al electrocutării, exploziei și/sau arcurilor electrice.

Purtați ochelari de protecție:

## CONDIȚII DE UTILIZARE SPECIFICATE

Tăietorul de cablu este adecvat pentru debitarea cablurilor scoase de sub tensiune confecționate din cupru sau aluminiu, respectiv cordoane ACSR (conductoare din aliaj aluminiu/otel), cordoane din oțel, folosind cuțite adecvate în funcție de tipul cablului.

Tăierea, resp. debitarea cablurilor și cordoanelor cu ajutorul acestui tăietor de cabluri are voie să fie făcută numai de o persoană instruită în domeniul electrotehnice.

Operatorul acestui dispozitiv de tăiere al cablurilor trebuie să fie instruit înainte de a lucra cu dispozitivul pentru prima oară și apoi anual cu privire la pericolele specifice asociate utilizării acestui dispozitiv de tăiere al cablurilor și măsurile de siguranță esențiale.

Firma de exploatare trebuie:

- să pună la dispoziția operatorului manualul de exploatare și
- și să se asigure că operatorul a citit și a înțeles conținutul acestuia.

**⚠️ AVERTISMENT** Citiți toate instrucțiunile de securitate, recomandările, reprezentările grafice și datele pe care le primiți livrate împreună cu aparatul. Nerespectarea indicațiilor de avertizare și a instrucțiunilor poate provoca electrocutare, incendii și/sau răniri grave.

**Păstrați toate indicațiile de avertizare și instrucțiunile în vederea utilizărilor viitoare.**

## UTILIZARE

### Pregătirea zonei de lucru

Înainte de începerea lucrului trebuie să se scoată de sub tensiune liniile și cordoanele, iar această stare trebuie asigurată pe întreaga durată a lucrărilor.

Dacă nu se poate asigura fără nicio urmă de îndoială întreruperea alimentării electrice a cablurilor sau liniei izolate, nu se va efectua nicio lucrare.

Se vor respecta neapărat prevederile și reglementările locale privind siguranța.

Cablurile și cordoanele nu au voie să fie expuse la forțe mecanice și, dacă este cazul, trebuie asigurate contra mișcărilor necontrolate după tăiere.

Nu expuneți utilajul ploii și nu-l utilizați în mediu umed sau ud.

### Pregătirea dispozitivului de tăiere al cablurilor și bateriei

Înainte de fiecare utilizare:

- Verificați ca dispozitivul de tăiere a cablurilor să nu prezinte defecte externe
- Verificați ca dispozitivul de tăiere să nu prezinte crăpături sau alte semne de uzură

A se utiliza numai în condiție perfectă!

Înainte de începerea procesului de tăiere trebuie verificată capacitatea bateriei: minimum 33% (a se vedea descrierea ilustrată).

Este posibil să fie necesară reincărcarea înainte de începerea lucrărilor.

### Pregătirea procesului de tăiere

Sprîjiți și fixați cablu sau cordonul care urmează să fie tăiate, astfel încât să reduceți la minimum riscul unei mișcări necontrolate.

Mișcarea necontrolată poate să apară în mod special în cazul liniilor și cordoanelor libere, putând fi provocate leziuni și/sau daune.

Capul de tăiere trebuie amplasat în unghi de 90° față de cablu sau cordon, astfel încât cablu sau cordon să stea fără tensionare între fălcile de tăiere deschise și să se evite forțele de forfecare nefavorabile.

**⚠️ AVERTISMENT:** Pentru a reduce riscul de explozii, electrocutare, daune materiale și deteriorarea echipamentului, nu tăiați niciodată cabluri electrice aflate sub tensiune.

**Dispozitivul NU este izolat. Contactul cu un circuit aflat sub tensiune poate avea drept rezultat răniri grave sau deces. Înainte de a executa o tăiere, opriți alimentarea electrică. Nu tăiați niciodată conducte de gaz sau apă. Feriți-vă mâinile de toate muchiile tăioase și piesele mobile. Pot fi cauzate sfâșieri sau amputări.**

**Scoateți întotdeauna bateria înainte de înlocuirea sau demontarea accesoriilor. Utilizați numai accesoriile recomandate în mod specific pentru acest dispozitiv. Altele pot fi riscante.**

**Pentru a reduce riscul rănirilor, purtați măști de siguranță pentru ochi sau ochelari cu protecții laterale.**

**⚠️ AVERTISMENT:** Pentru a reduce riscul de răniri, tăiați numai materialele recomandate pentru lame. (a se vedea „Specificații”) Nu încercați să tăiați alte materiale.

### Tăiere

- Înainte de tăiere, asigurați-vă că lamele sunt montate corespunzător.

1. Introduceți cablu în unghi drept în fălcile de tăiere ale tăietorului de cabluri. Nu încercați să faceți tăieri oblice, deoarece acest lucru va deteriora piesa și lamele.

2. Apucați ferm mânerul(e).

Trageți și mențineți tras declanșatorul în timpul utilizării.

Atunci când declanșatorul este tras se aprinde un LED.

După ce tăierea a fost realizată sau unealta a oprită, eliberați din nou declanșatorul și acționați comutatorul de revenire la poziția de bază, pentru a deschide fâlcile de tăiere.

*Notă: Este posibil ca piesa să se miște ușor în timpul tăierii.*

### Acțiune în caz de defecțiuni

- cablu poate fi tăiat și se poate afla sub tensiune, informați întotdeauna persoanele însărcinate cu siguranța, sistați procesul de tăiere, implementați măsuri de siguranță adecvate
- Asigurați-vă întotdeauna că dispozitivul este și rămâne deconectat de la sursa de alimentare electrică înainte de a vă apropia de el sau de a-l atinge
- apăsați și mențineți apăsat butonul de resetare până când dispozitivul de tăiere se deschide complet
- verificați capacitatea bateriei
- verificați materialul și grosimea materialului ținând cont de datele tehnice
- Dacă se suspectează că a fost tăiat vreun cablu aflat sub tensiune, dispozitivul de tăiere al cablurilor trebuie verificat de un atelier specializat autorizat

### Lame înleştate

Murdăria și reziduurile pot cauza înleştarea între ele a lamelor după o tăiere

- Apăsați mențineți apăsat declanșatorul de deblocare, pentru a vă asigura că dispozitivul de tăiere s-a resetat.
- Scoateți blocul bateriei.
- Urmați descrierea ilustrată pentru deschiderea fâlcilor de tăiere
- Înainte de a începe o altă tăiere, curățați de pe lame toată murdăria și toate reziduurile.

### Sfaturi pentru tăiere

- Nu încercați să faceți tăieri oblice, deoarece acest lucru va deteriora piesa și lamele.
- Tăiați materiale curate, pentru a extinde durata de viață a lamelor. Înainte de începerea tăierii, curățați murdăria și reziduurile de pe material și de pe lame.

### INTREȚINERE

Îndepărtați acumulatorul înainte de începerea lucrului pe mașina Nu desfaceți niciodată dispozitivul de tăiere al cablurilor, bateria detașabilă sau încărcătorul.

Verificați ca dispozitivul de tăiere al cablurilor să nu prezinte nicio problemă, cum ar fi zgomotul sau înleştarea componentelor mobile, care ar putea afecta dispozitivul.

Verificați ca dispozitivele de tăiere să nu prezinte crăpături sau alte semne de uzură.

La finalizarea lucrării, curățați și gresați dispozitivele de tăiere.

Verificați dacă muchiile de tăiere sunt ascuțite și înlocuiți fâlcile de tăiere uzate.

Înlocuiți lamele dacă sunt ciobite sau deteriorate. Înlocuiți lamele întotdeauna în set. Utilizați numai lame MILWAUKEE.

Verificați dacă dispozitivele de tăiere se pot mișca fără obstrucții.

Pentru a evita rămirile și deteriorările, nu scufundați niciodată în lichide unealta, bateria detașabilă sau încărcătorul și nu permiteți niciodată pătrunderea lichidelor în acestea.

Fantele de aerisire ale mașinii trebuie să fie menținute libere tot timpul

Aparatul conține ulei hidraulic care reprezintă un pericol pentru apă freatică. Golirea necontrolată sau eliminarea necorespunzătoare a acestuia este posibilă de pedeapsă.

Dispozitivul trebuie suspus lucrărilor de întreținere la fiecare șase până la douăsprezece luni, în funcție de utilizare.

Despre aceste intervale de întreținere puteți afla mai multe prin aplicația ONE-KEY.

Efectuarea lucrărilor de întreținere și de reparație este permisă numai atelierelor de specialitate autorizate.

Utilizați numai accesorii și piese de schimb Milwaukee. Dacă unele din componente care nu au fost descrise trebuie înlocuite, vă rugăm contactați unul din agenții de service Milwaukee (vezi lista noastră pentru service / garanți

Dacă este necesară, se poate comanda o imagine descompusă a sculei. Vă rugăm menționați numărul art. Precum și tipul mașinii tipărit pe etichetă și comandați desenul la agenții de service locali sau direct la Techtronic Industries GmbH, Max-Eyth-Straße 10, 71364 Winnenden, Germany.

### ONE-KEY™

Pentru a afla mai multe despre funcționalitatea ONE-KEY a acestei scule, vă rugăm să citiți Manualul atașat sau să ne vizitați site-ul pe <http://www.milwaukeeool.com/one-key>

Puteți descărca aplicația ONE-KEY de pe App Store sau Google Play pe Smartphone-ul dvs.

Atunci când se constată descărcări electrostatice, comunicarea prin Bluetooth va fi deconectată și se iese din interfața app. Iar aplicația nu mai poate fi utilizată timp de 45 de secunde. După 45 secunde, trebuie resetată aplicația pentru a o repune în funcțiune." Noi considerăm rezultatul ca fiind în interiorul nivelului nostru minim acceptat de performanță în conformitate cu EN 301489-1/ EN 301489-17. Vom transmite clientului ghidul operațional integrat în Manualul de utilizare.

### ACUMULATORI

Temperatura mai mare de 50°C (122°F) reduce performanța acumulatorului. Evitați expunerea prelungită la căldură sau radiație solară (risc de supraîncălzire)

Contactele încărcătoarelor și acumulatorilor trebuie păstrate curate.

În scopul optimizării duratei de funcționare, bateriile trebuie reîncărcate complet după utilizare. Acumulatorii care nu au fost utilizați o perioadă de timp trebuie reîncărcați înainte de utilizare

Pentru o durată de viață cât mai lungă, acumulatorii ar trebui scoși din încărcător după încărcare.

La depozitarea acumulatorilor mai mult de 30 zile, Acumulatorii se depozitează la ca. 27°C și la loc uscat., Acumulatorii se depozitează la nivelul de încărcare de cca. 30%-50%, Acumulatorii se încarcă din nou la fiecare 6 luni.

Nu aruncați acumulatorii uzați la containerul de reziduri menajere și nu îi ardeți. Milwaukee Distributors se oferă să recupereze acumulatorii vechi pentru protecția mediului înconjurător.

Nu depozitați acumulatorul împreună cu obiecte metalice (risc de scurtcircuit)

Folosiți numai încărcătoare System M18 pentru încărcarea acumulatorilor System M18. Nu folosiți acumulatori din alte sisteme.



## TRANSPORTUL ACUMULATORILOR CU IONI DE LITIU

Acumulatorii cu ioni de litiu cad sub incidența prescripțiilor legale pentru transportul de mărfuri periculoase.

Transportul acestor acumulatori trebuie să se efectueze cu respectarea prescripțiilor și reglementărilor pe plan local, național și internațional.

Consumatorilor le este permis transportul rutier nerestricționat al acestui tip de acumulatori.

Transportul comercial al acumulatorilor cu ioni de litiu prin intermediul firmelor de expediție și transport este supus reglementărilor transportului de mărfuri periculoase. Pregătirile pentru expediție și transportul au voie să fie efectuate numai de către personal instruit corespunzător. Întregul proces trebuie asistat în mod competent.

Următoarele puncte trebuie avute în vedere la transportul acumulatorilor:

Pentru a se evita scurtcircuite, asigurați-vă de faptul că sunt protejate și izolate contactele. Aveți grijă ca pachetul de acumulatori să nu poată aluneca în altă poziție în interiorul ambalajului său. Este interzis transportarea unor acumulatori deteriorați sau care pierd lichid. Pentru indicații suplimentare adresați-vă firmei de expediție și transport cu care colaborați.

## DECLARAȚIE DE CONFORMITATE

Declarăm pe propria răspundere că produsul descris în capitolul „Date tehnice” îndeplinește toate cerințele relevante ale direc-tivelor

2011/65/UE RoHS, 2006/42/CE, 2014/30/UE, 2014/53/EU și au fost utilizate următoarele standarde armonizate

EN 62841-1:2015

EN 62479:2010

EN 60950-1:2006+A11:2009+A1:2010+A12:2011+AC:2011+A2:2013

EN 55014-1:2006+A1:2009+A2:2011

EN 55014-2:2015

EN 50581:2012

EN 301 489-1 V1.9.2 (2011-09)

EN 301 489-17 V2.2.1 (2012-09)

EN 300 328 V1.9.1 (2015-02)



Winnenden, 2017-05-03

Alexander Krug / Managing Director

Împuternicit să elaboreze documentația tehnică.

Techtronic Industries GmbH

Max-Eyth-Straße 10, 71364 Winnenden, Germany

## SIMBOLURI



Va rugăm citiți cu atenție instrucțiunile înainte de pornirea mașinii



AVERTISMENT!  
Avertisment împotriva obiectelor aruncate



Purtați întotdeauna ochelari de protecție când utilizați mașina.



Pericol de șoc electric



PERICOL! AVERTIZARE! ATENȚIE!



Îndepărtați acumulatorul înainte de începerea lucrului pe mașina



Țineți mâinile departe de piesele de tăiat sau de alte componente mobile. Degetele pot ajunge în mecanismul de tăiere și pot fi tăiate sau vătămate.



Accesorii - Nu este inclus în echipamentul standard, disponibil ca accesoriu



Aruncarea aparatelor electrice la gunoii menajer este interzisă. Echipamentele electrice și electronice trebuie colectate separat și predate la un centru de reciclare și eliminare a deșeurilor, pentru a fi eliminate ecologic. Interesați-vă la autoritățile locale sau la comerciantul dvs. de specialitate unde se află centre de reciclare și puncte de colectare.



Marcaj CE



Marcaj de conformitate UkrSEPRO.



Marcaj de conformitate EurAsian.

ТЕХНИЧКИ ПОДАТОЦИ	M18 HCC45
Секач за кабел	
Производен број	4587 00 01... ... 000001-999999
Волтажа на батеријата	18 V
притисок сила	77,8 kN
Зона на сечење Во зависност од видот на кабелот	макс. Ø 44 mm
ACSR: Алуминиум-/Челични сајли Бакар / Алуминиум	
Тежина според ЕПТА-процедурата 01/2003 (Li-Ion 2,0 Ah)	6,0 kg
<b>Информации за бучавата</b>	
Измерените вредности се одредени согласно стандардот EN 62841. А-оценетото ниво на бучава на апаратот типично изнесува:	
Ниво на звучен притисок. (Несигурност K=3dB(A))	76,9 dB(A)
Ниво на јачина на звук. (Несигурност K=3dB(A))	87,9 dB(A)
<b>Носте штитник за уши.</b>	
<b>Информации за вибрации</b>	
Вкупни вибрациски вредности (векторски збир на трите насоки) пресметани согласно EN 62841.	
Вибрациска емисиона вредност <sub>h</sub>	1,2 m/s <sup>2</sup>
Несигурност K	1,5 m/s <sup>2</sup>

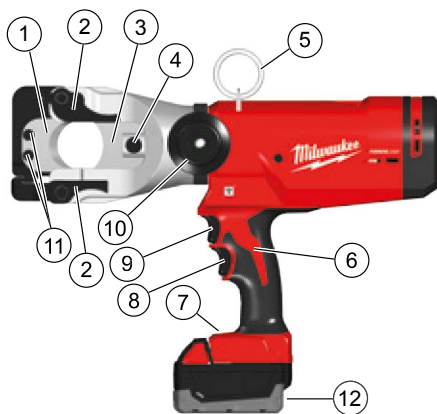
### ПРЕДУПРЕДУВАЊЕ!

Нивото на осцилација наведено во овие инструкции е измерено во согласност со мерните постапки нормирани во EN 62841 и може да биде употребено за меѓусебна споредба на електро-алати. Ова ниво може да се употреби и за привремена проценка на оптоварувањето на осцилацијата.

Наведеното ниво на осцилација ги репрезентира главните намени на електро-алатот. Но, доколку електро-алатот се употребува за други намени, со отстапувачки додатоци или со несоодветно одржување, нивото на осцилација може да отстапи. Тоа може значително да го зголеми оптоварувањето на осцилацијата за време на целиот работен период.

За прецизна проценка на оптоварувањето на осцилацијата предвид треба да бидат земени и времињата, во коишто апаратот е исклучен или работи, но фактички не се употребува.

Тоа може значително да го намали оптоварувањето на осцилацијата за време на целиот работен период. Утврдете дополнителни безбедносни мерки за заштита на операторот од влијанието на осцилациите, како на пример: одржување на електро-алатот и на додатоци кон електро-алатот, одржување топли раце, организација на работните процеси.



### Опис на уредот

- |                                      |                                |
|--------------------------------------|--------------------------------|
| ① Преден нож                         | ⑦ LED                          |
| ② Лостови за ослободување на челуста | ⑧ Отпуштање на активаторот     |
| ③ Заден нож                          | ⑨ Активатор (окидач)           |
| ④ Клин за држење на ножот            | ⑩ Дополнителна рачка           |
| ⑤ Закачалка                          | ⑪ 5 mm Завртки со шестоаголник |
| ⑥ Рачка                              | ⑫ Батерија                     |

**⚠ ПРЕДУПРЕДУВАЊЕ** Прочитајте ги сите безбедносни напомени, упатства, цртежи и податоци, коишто ги добивате заедно со уредот. Заборавање на почитувањето на безбедносни упатства и инструкции можат да предизвикаат електричен удар, пожар и/или тешки повреди. **Сочувајте ги сите безбедносни упатства и инструкции за во иднина.**

### ⚠ БЕЗБЕДНОСНИ УПАТСТВА ЗА СЕКАЧОТ ЗА КАБЕЛ

За да се намали ризикот од експлозии, струен удар и оштетување на имотот и опремата, немојте никогаш да сечете електрични кабли под напон. Алатот НЕ е изолиран.

Рацете и лабавата облека држете ги понастрана од алатот за сечење и другите подвижни делови. Постои ризик од сериозна повреда, вклучувајќи оштетување на екстремитетите.

Се препорачува заштитна облека како: маска за заштита од прашина, заштитни ракавици, цврсти чевли што не се лизгаат, кацига и заштита за уши.

Употребувајте заштитна опрема. Секогаш носете заштитни очила кога работите со секачот за кабли.

Спречете случајно вклучување на секачот за кабел. Пред да го поврзете на преносливата батерија, проверете дали активаторот е обезбеден со блокаторот на прекинувачот.

Никогаш немојте секачот за кабел да го држите за челуста за сечење.

Пред употреба, секогаш проверувајте ја челуста за сечење да не има пукнатини и други знаци на изабеност.

Секачот за кабел, преносливата батерија и полначот користете ги само ако се во беспрекорна техничка состојба.



**Mak**



Во случај на оштетувања истите веднаш да бидат дадени на авторизирана стручна работилница на поправка.

Извадете го батерискиот склоп пред отпочнување на каков и да е зафат врз машината.

Секачот за кабел може да се користи само со вметнат алат за сечење.

Пред да сечете, отстранете ги сите алатки и клучеви.

За да избегнете повреда и оштетување, алатот, преносливата батерија или полначот никогаш не потопувајте ги во течност или, пак, не дозволувајте во нив да навлезе вода.

Секачот за кабел држете го со обеете раце.

Во случај на грешка во текот на сечењето, веднаш ослободете го активаторот и притиснете го копчето за хидрауличко ресетирање.

Вентилот се отвора и клипот се враќа во појдовната позиција.

## ОСТАТОЧНИ ОПАСНОСТИ

Пред да почне процесот на сечење, пристапот мора да биде забранет во склад со локалните прописи.

Сечете само кабли кои се исклучени од електричен напон.

Кабелот и сајлите не смеат да бидат изложени на никакви механички сили.

Непочитувањето на овие упатства може да доведе до сериозна повреда, смрт, пожар и други материјални штети како последица на струен удар, експлозија и/или електричен лак.

Да се носат заштитни очила.

## СПЕЦИФИЦИРАНИ УСЛОВИ НА УПОТРЕБА

Секачот на кабли е погоден за одвојување на ненапонски кабли од изолиран бакар или алуминиум, АCSR-сајли (сајли од алуминиум/челик), челични сајли, во зависност од типот на кабелот.

Сечење, односно одвојување на кабли и сајли со помош на овој секач на кабли смее да врши само лице со електротехничка квалификација.

Пред да работи првпат со него и најмалку еднаш годишно после тоа, операторот со овој секач за кабли мора да добива инструкции за специфичните опасности коишто се поврзани со користењето на овој секач и за неопходните безбедносни мерки.

Компанијата што е ангажирана мора:

- Прирачникот за работа да му го стави на располагање на операторот и
- да се увери дека операторот го прочитал и го разбрал.

**⚠ ПРЕДУПРЕДУВАЊЕ** Прочитајте ги сите безбедносни напомени, упатства, цртежи и податоци, коишто ги добивате заедно со уредот. Заборавање на почитувањето на безбедносните упатства и инструкции можат да предизвикаат електричен удар, пожар и/или тежки повреди. **Сочувајте ги сите безбедносни упатства и инструкции за во иднина.**

## УПОТРЕБА

### Распоред на работната зона

Пред почетокот на работата, мора да се создаде ненапонска состојба на водовите или сајлите и истата да биде обезбедена додека трае изведувањето на работите.

Доколку не може да се обезбеди кабелот или изолираниот вод да се исклучи, не смее да се извршува никаква работа.

Задолжително мора да се почитуваат локалните безбедносни прописи и регулативи.

Каблите и сајлите не смеат да бидат изложени на никакви механички сили, и евентуално да бидат осигурани против неконтролирани движења по отсечувањето.

Алатот не изложувајте го на дожд. Алатот не користете го на влажни или мокри места.

### Подготовка на секачот за кабли и на батеријата

Пред секоја употреба:

- Проверете го секачот за кабли да не има надворешни дефекти
- Проверете го уредот за сечење да не има пукнатини и други знаци на изабеност

Користете го само во беспрекорна состојба!

Пред да почне процесот на сечење, мора да се провери капацитетот на батеријата: минимум 33% (види илустриран опис).

Може да е неопходно полнење пред да започне работата.

### Подготовка за процесот на сечење

Потпрете го и прицврстете го кабелот или сајлата што треба да се сечат за да го минимизирате ризикот од неконтролирано движење.

Во неконтролирано движење особено може да се најдат слободните водови и сајлите и да предизвикаат повреди и/или оштетувања.

Главата за сечење мора да се постави под агол од 90° во однос на кабелот или сајлата, така што тој(таа) да може без напор да влезе во отворената челуст за сечење и да се избегнат неповолни сили на сечење.

**⚠ ПРЕДУПРЕДУВАЊЕ:** За да се намали ризикот од експлозии, струен удар и оштетување на имотот и опремата, немојте никогаш да сечете електрични кабли под напон.

Алатот НЕ е изолиран. Контактот со струјни кола под напон може да доведе до тежки повреди или смрт. Исклучете ја струјата пред да сечете. Немојте никогаш да сечете гасоводни или водоводни цевки. Рацете држете ги настрана од сите остри рабови и подвижни делови. Може да дојде до кинење и ампутација.

Секогаш вадете го пакувањето со батерии пред да менувате или отстранувате некаков прибор. Користете само прибор кој е конкретно препорачан за оваа алатка. Друг прибор може да биде ризичен.

За да го намалите ризикот од повреда, носете сигурносни очила или очила со странични штитници.



**Мак**



**ПРЕДУПРЕДУВАЊЕ:** За да го намалите ризикот од повреда, со ножевите сечете само препорачани материјали. (види „Спецификации“) Немојте да се обидувате да сечете други материјали.

### Сечење

• Пред сечењето, осигурајте се дали ножевите се прописно монтирани.

1. Кабелот ставете го под прав агол врз секачите од секачот на кабли. Немојте да се обидувате да правите сечење под агол, бидејќи тоа ќе го оштети обработуваното парче и ножевите.

2. Рачката/-ите фатете ги цврсто.

Повлечете го и држете го активаторот за време на операцијата. Ќе се вклучи LED светилка штом го повлечете активаторот.

Штом ќе биде извршено сечењето или што алатот ќе биде исклучен, повторно отпуштете го копчето за активирање и активирајте го копчето за ресетирање, за да се отвори челуста за сечење.

*Забелешка: Парчето кое се обработува движете го пополека за време на сечењето.*

### Постапка во случај на грешки

- кабелот може да биде засечен и под напон, секогаш известувајте го лицето кое е одговорно за безбедноста, прекинете ја постапката на сечење, преземете соодветни сигурносни мерки
- Секогаш осигуравајте се дали уредот е исклучен и дали ќе остане исклучен од напон пред да му пријдете и го допрете уредот
- Притиснете и држете го копчето за ресетирање додека секачот не се отвори целосно
- проверете го капацитетот на батеријата
- проверете го материјалот и неговата дебелина дали соодветствуваат на техничките податоци
- Доколку се сомневате дека бил пресечен кабел под напон, секачот за кабли треба да се провери во специјализирана работилница

### Заглавени ножеве

Нечистотијата и отпадоците може да предизвикаат ножевите да се заглават после сечењето

- Притиснете го и држете го деблокаторот на активаторот за да се осигурате дека алатката се ресетирала.
- Извадете ја батеријата.
- Следете го описот на сликата за отворање на челуста
- Исчистете ја секоја нечистотија и отпадоци од ножевите пред да започнете ново сечење.

### Совети за сечењето

- Немојте да се обидувате да правите сечење под агол, бидејќи тоа ќе го оштети обработуваното парче и ножевите.
- Сечете чист материјал, за да се продолжи векот на употреба на ножот. Избришете ја нечистотијата и отпадоците од материјалот и од ножевите пред да почнете со сечењето.

### ОДРЖУВАЊЕ

Извадете го батеријскиот склоп пред отпочнување на каков и да е зафат врз машината.

Никогаш немојте да го отворите секачот за кабли, преносливата батерија или полначот.

Проверете го секачот за кабли дали има било какви проблеми, како на пр. дали бучи или да не има заглавени подвижни делови кои би можеле да влијаат врз алатката.

Проверете ја алатката за сечење да не има пукнатини и други знаци на изабеност.

По завршување на работата, исчистете и подмачкајте ја алатката за сечење.

Проверете дали рабовите за сечење се остри и заменете ја челуста за сечење ако е изабена.

Заменете ги ножевите штом станат иззабени или оштетени. Ножевите секогаш менувајте ги во комплет. Користете само ножеве MILWAUKEE.

Проверете дали може алатката за сечење да се движи слободно.

За да избегнете повреда и оштетување, алатот, преносливата батерија или полначот никогаш не потопувајте ги во течност или, пак, не дозволувајте во нив да навлезе вода.

Вентилациските отвори на машината мора да бидат комплетно отворени постојано.

Апаратот содржи хидрау-лично масло кое што претста-вува опасност за подземените води. Неконтро-лирано испуштање или нестручно фрлање е казниво.

Уредот треба да се сервисира на секои шест до дванаесет месеци, во зависност од употребата.

За интервалите на сервисирање можете да дознаете повеќе преку апликацијата ONE-KEY.

Работите на одржување и поправка смеат да бидат изведувани исклучиво од страна на авторизи-рани стручни работил-ници.

Користете само Milwaukee додатоци и резервни делови.

Доколку некои од компонентите кои не се опишани треба да бидат заменети, Ве молиме контактирајте ги сервисните агенти на Milwaukee (консултирајте ја листата на адреси).

Доколку е потребно можно е да биде набавен детален приказ на алатот. Ве молиме наведете го бројот на артиклот како и типот на машина кој е отпечатан на етикетата и порачајте ја скицата кај локалниот застапник или директно кај: Techtronic Industries GmbH, Max-Eyth-Strasse 10, 71364 Winnenden, Germany.

### ONE-KEY™

За да дознаете повеќе за ONE-KEY функционалноста на овој алат, прочитајте го приложеното Упатство за брз старт или посетете нè на интернет на <http://www.milwaukee.com/one-key>.

Апликацијата ONE-KEY можете да ја симнете на Вашиот смартфон преку App Store или Google Play.

Штом ќе има електростатичко празнење, комуникацијата преку блутут се прекинува, а интерфејсот на апликацијата се трга. Апликацијата не е во употреба 45 секунди. После 45 сек., треба да се ресетира апликацијата за да се обнови.“ Сметаме дека резултатот ќе биде во рамките на нашето минимално прифатливо ниво на кородирање според EN 301489-1/ EN 301489-17. Во прирачникот за корисници на муштериите ќе им дадеме упатство за ракување.



## БАТЕРИИ

Температура повисока од 50°C (122°F) го намалуваат траењето на батериите. Избегнувајте подолго изложување на батериите на високи температури или сонце (ризик од прегревање).

Клемите на полначот и батериите мора да бидат чисти.

За оптимален работен век батериите мора да се наполнат целосно по употреба. Батриите кои не биле користени подолго време треба да се наполнат пред употреба.

За можно подолг век на траење, апаратите после нивно поленење треба да бидат извадени од апаратот за поленење на батериите.

Во случај на складирање на батеријата подолго од 30 дена; Акумулаторот да се чува на температура од приближно 27°C и на суво место. Акумулаторот да се складира на приближно 30%-50% од состојбата на наполнетост. Акумулаторот повторно да се наполни на секои 6 месеци.

Не ги оставајте искористените батерии во домашниот отпад и не горете ги. Дистрибутерите на Милвоки ги собираат старите батерии, со што ја штитат нашата околина.

Не ги чувајте батериите заедно со метални предмети (ризик од краток спој).

Користете исклучиво Систем M18 за поленење на батерии од M18 систем. Не користете батерии од друг систем.

## ТРАНСПОРТ НА ЛИТИУМ-ЈОНСКИ БАТЕРИИ

Литиум-јонските батерии подлежат на законските одредби за транспорт на опасни материи.

Транспортот на овие батерии мора да се врши согласно локалните, националните и меѓународните прописи и одредби.

Потрошувачите на овие батерии може да вршат непречен патен транспорт на истите.

Комерцијалниот транспорт на литиум-јонски батерии од страна на шпедитерски претпријатија подлежат на одредбите за транспорт на опасни материи. Подготовките за шпедиција и транспорт треба да ги вршат исклучиво соодветно обучени лица. Целокупниот процес треба да биде стручно надгледуван.

При транспортот на батерии треба да се внимава на следното: Осигурајте се дека контактите се заштитени и изолирани, а сето тоа со цел да се избегнат кратки споеви. Внимавајте да не дојде до изместување на батериите во нивната амбалажа. Забранет е транспорт на оштетени или протечени литиум-јонски батерии. За понатамошни инструкции обратете се до Вашето шпедитерско претпријатие.

## ЕУ-ДЕКЛАРАЦИЈА ЗА СООБРАЗНОСТ

Под целосна лична одговорност изјавуваме дека производот опишан во „Технички податоци“ е во сообразност со сите релевантни прописи од директивите

2011/65/EU RoHS, 2006/42/EC, 2014/30/EU, 2014/53/EU

и дека се применети следните хармонизирани стандарди

EN 62841-1:2015

EN 62479:2010

EN 60950-1:2006+A11:2009+A1:2010+A12:2011+AC:2011+A2:2013

EN 55014-1:2006+A1:2009+A2:2011

EN 55014-2:2015

EN 50581:2012

EN 301 489-1 V1.9.2 (2011-09)

EN 301 489-17 V2.2.1 (2012-09)

EN 300 328 V1.9.1 (2015-02)



Winnenden, 2017-05-03

Alexander Krug / Managing Director

Ополномоштен за составување на техничката документација.

Techtronic Industries GmbH

Max-Eyth-Straße 10, 71364 Winnenden, Germany

## СИМБОЛИ



Ве молиме пред да ја стартувате машината обрнете внимание на упатствата за употреба.



**ПРЕДУПРЕДУВАЊЕ!**  
летање на делови од работните предмети



Секогаш при користење на машината носете ракавици.



Опасност од струен удар



**ВНИМАНИЕ! ПРЕДУПРЕДУВАЊЕ! ОПАСНОСТ!**



Извадете го батерискиот склоп пред отпочнување на каков и да е зафат врз машината.



Рацете држете ги настрана од алатот за сечење и од другите подвижни делови. Прстите може да се најдат во механизмот за сечење и да бидат отсечени или повредени.



Дополнителна опрема - Не е вклучена во стандардната, а достапна е како додаток.



Електричните апарати не смеат да се фрлат заедно со домашниот отпад. Електричните и електронските апарати треба да се собираат одделно и да се однесат во соодветниот погон заради нивно фрлање во склад со начелата за заштита на околината. Информирајте се кај Вашите местни служби или кај специјализираниот трговски претставник, каде има такви погони за рециклажа и собирни станици.



CE-знак



UkrSEPRO знак на конформитет.



EurAsian (Евроазиски) знак на конформитет.



Mak

Македонски

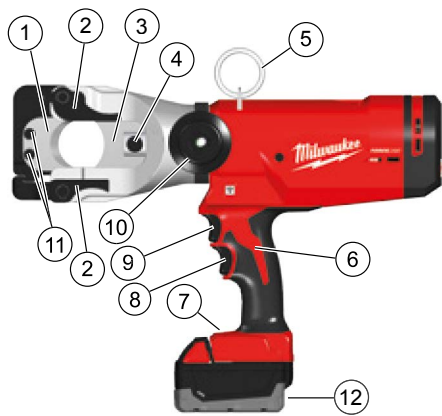
ТЕХНІЧНІ ХАРАКТЕРИСТИКИ	M18 HCC45
<b>Інструмент для розрізання кабелю</b>	
Номер виробу	4587 00 01... ... 000001-999999
Напруга змінної акумуляторної батареї	18 V
Номінальна сила	77,8 kN
Область розрізання Залежить від типу кабелю	макс. Ø 44 mm
ACSR: Алюміній-/Сталеві троси Мідь / Алюміній	
Вага згідно з процедурою EPTA 01/2003 (Li-Ion 2,0 Ah)	6,0 kg
<b>Інформація про шум</b>	
Виміряні значення визначені згідно з EN 62841. Рівень шуму „А“ приладу становить в типовому випадку:	
Рівень звукового тиску (похибка K = 3 дБ(A))	76,9 dB(A)
Рівень звукової потужності (похибка K = 3 дБ(A))	87,9 dB(A)
<b>Використовувати засоби захисту органів слуху!</b>	
<b>Інформація щодо вібрації</b>	
Сумарні значення вібрації (векторна сума трьох напрямків), встановлені згідно з EN 62841.	
Значення вібрації <sub>a</sub>	1,2 m/s <sup>2</sup>
похибка K =	1,5 m/s <sup>2</sup>

### ПОПЕРЕДЖЕННЯ!

Рівень вібрації, вказаний в цій інструкції, вимірювався згідно з методом вимірювання, нормованим стандартом EN 62841, і може використовуватися для порівняння електроінструментів. Він призначений також для попередньої оцінки навантаження від вібрації.

Вказаний рівень вібрації відповідає основним сферам використання електроінструменту. Але якщо електроінструмент використовується для іншої мети, з іншими вставними інструментами або при недостатньому технічному обслуговуванні, рівень вібрації може бути іншим. Це може значно підвищити навантаження від вібрації за весь період роботи.

Для точної оцінки навантаження від вібрації необхідно також враховувати час, коли прилад вимкнений або увімкнений, але фактично не використовується. Це може значно зменшити навантаження від вібрації за весь період роботи. Визначте додаткові заходи безпеки для захисту оператора від дії вібрації, наприклад: Технічне обслуговування електроінструменту та вставних інструментів, зігрівання рук, організація робочих процесів.



### Опис пристрою

- |                              |                                       |
|------------------------------|---------------------------------------|
| ① Переднє лезо               | ⑦ Світлодіод                          |
| ② Важел для розжимання лещат | ⑧ Курок розблокування                 |
| ③ Заднє лезо                 | ⑨ Пусковий курок                      |
| ④ Фіксувальний штифт леза    | ⑩ Додаткова рукоятка                  |
| ⑤ Підвісний кронштейн        | ⑪ 5 mm гвинти з шестигранною голівкою |
| ⑥ Ручка                      | ⑫ Акумуляторна батарея                |

**⚠ ПЕРЕДЖЕННЯ** Ознайомтеся з усіма вказівками щодо техніки безпеки, інструкціями, ілюстраціями та відомостями, що було надано разом із приладом. Упущення при дотриманні вказівок з техніки безпеки та інструкцій можуть призвести до ураження електричним струмом, пожежі та/або тяжких травм.  
**Зберігайте всі вказівки з техніки безпеки та інструкції на майбутнє.**

### ⚠ ПРАВИЛА ТЕХНІКИ БЕЗПЕКИ ПРИ РОБОТІ З ІНСТРУМЕНТОМ ДЛЯ РОЗРІЗАННЯ КАБЕЛЮ

Для зниження ризику вибуху, ураження електричним струмом чи пошкодження майна й обладнання в жодному разі не розрізайте під'єднані до мережі електричні кабелі. Інструмент НЕ має ізоляції.

Тримайте руки та вільний одяг на безпечній відстані від різальних інструментів і інших рухомих частин. Існує небезпека тяжких травм, в тому числі відокремлення кінцівок.

Радимо використовувати захисний одяг, як наприклад маску для захисту від пилу, захисні рукавиці, міцні та нековзні взуття, каску та засоби захисту органів слуху.

Використовуйте індивідуальні засоби захисту. Під час роботи з кабелерізом завжди носіть захисні окуляри.

Вживайте заходи безпеки, щоб уникнути випадкового увімкнення кабелеріза. Перед під'єднанням змінного акумулятора переконайтеся в тому, що пусковий курок зафіксовано стрілковим замком.

У жодному разі не тримайте кабелеріз за різак.

Перед використанням завжди перевіряйте різак на наявність тріщин чи інших ознак зношення.



Використовуйте кабелеріз, знімний акумулятор і зарядний пристрій, лише якщо вони мають бездоганний технічний стан. Пошкодження негайно усувати в авторизованій спеціальній майстерні.

Перед будь-якими роботами на приладі виїняти змінну акумуляторну батарею.

Кабелеріз можна використовувати лише зі встановленим різальним інструментом.

Перед розрізанням виймайте будь-які регульовальні інструменти та ключі.

Щоб уникнути травм та пошкодження майна, в жодному разі не опускайте інструмент, знімний акумулятор і зарядний пристрій у рідину та не допускайте проникнення рідини всередину цих пристроїв.

Тримайте кабелеріз обома руками.

У разі збоїв під час розрізання негайно відпустіть пусковий курок і натисніть кнопку гідравлічного скидання.

Клапан відкривається, поршень просувається назад в вихідне положення.



### ЗАЛИШКОВІ НЕБЕЗПЕКИ

Перед початком процесу розрізання необхідно заблокувати доступ до місця проведення робіт згідно з місцевими нормами.

Допускається розрізання лише тих кабелів, які були від'єднані від джерела живлення.

Кабелі та троси не повинні піддаватися дії механічних сил.

Невиконання цієї інструкції може призвести до тяжких травм, смерті, пожежі чи іншого пошкодження майна внаслідок ураження електричним струмом, вибуху та/або виникнення електричної дуги.

Носити захисні окуляри.

### ВИКОРИСТАННЯ ЗА ПРИЗНАЧЕННЯМ

Кабельний ніж призначений для розрізання знеструмлених ізольованих кабелів із міді, суцільного алюмінію чи алюмінію зі сталевим сердцевинною, а також сталевих тросів (залежно від типу кабелю).

Розрізання чи розділення кабелів і тросів за допомогою цього кабельного ножа може виконуватися лише особами, ознайомленими з правилами поведінки з електроінструментами.

Оператор кабелеріза повинен проходити інструктаж стосовно особливих ризиків, пов'язаних із використанням цього інструмента, та стосовно необхідних заходів безпеки. Інструктаж проводиться перед першим використанням інструменту та в подальшому щонайменше раз на рік.

Компанія, що експлуатує пристрій, зобов'язана:

- надати оператору посібник із експлуатації;
- та переконатися в тому, що оператор прочитав і прийняв до уваги інформацію, викладену в посібнику.

**⚠ ПОПЕРЕДЖЕННЯ** Ознайомтеся з усіма вказівками щодо техніки безпеки, інструкціями, ілюстраціями та відомостями, що було надано разом із приладом.

Упущення при дотриманні вказівок з техніки безпеки та інструкцій можуть призвести до ураження електричним струмом, пожежі та/або тяжких травм.

**Зберігайте всі вказівки з техніки безпеки та інструкції на майбутнє.**

## ВИКОРИСТАННЯ

### Облаштування робочої зони

Перед початком робіт необхідно перевірити знеструмленість дротів або тросів і підтримувати їх у знеструмленому стані під час виконання робіт.

Якщо неможливо переконатися у від'єднанні кабелю чи ізольованої лінії від живлення, виконання робіт заборонено. Обов'язково дотримуйтеся місцевих правил безпеки та норм.

Кабелі та троси не повинні піддаватися дії механічних сил і за необхідності повинні бути зафіксовані, щоб уникнути неконтрольованого переміщення після розрізання.

Бережіть інструменти від дощу. Не використовуйте інструменти у вологому чи вогкому середовищі.

### Підготовка кабелеріза й акумулятора

Перед кожним використанням виконуйте вказані нижче дії.

- Перевірте кабелеріз на наявність зовнішніх пошкоджень
- Перевірте різальний інструмент на наявність тріщин або інших ознак зношення

Використовуйте інструменти лише в бездоганному технічному стані!

Перед початком процесу розрізання необхідно перевірити заряд акумулятора: він повинен становити щонайменше 33 % (див. ілюстрований опис).

Перед початком роботи може бути необхідно зарядити акумулятор.

### Підготовка до розрізання

Розташуйте кабелі чи троси на опорі та зафіксуйте їх, щоб знизити ризик неконтрольованого переміщення.

Зокрема, дроти та троси, що вільно висять, можуть неконтрольовано переміщуватися, що може спричинити поранення та/або пошкодження майна.

Різальна голівка повинна розташовуватися під кутом 90° до кабелю чи троса, щоб вони проходили в отвір різального інструменту без натягу, що дозволить уникнути небажаних зусиль при розрізанні.

**⚠ ПОПЕРЕДЖЕННЯ:** Для зниження ризику вибуху, ураження електричним струмом чи пошкодження майна й обладнання в жодному разі не розрізайте під'єднані до мережі електричні кабелі.

Інструмент НЕ має ізоляції. Контакт із контуром під напругою може призвести до важких травм чи смерті. Перед розрізанням вимкніть живлення. У жодному разі не розрізайте газо- чи водопроводи. Тримайте руки на безпечній відстані від різальних кромок і рухомих деталей. Можливі глибокі порізи чи відривання кінцівок.

Перед заміною чи видаленням допоміжного приладдя завжди виймайте акумулятор. Використовуйте допоміжне приладдя, спеціально рекомендоване для цього інструмента. Інше приладдя може бути небезпечним.

Для зниження ризику травмування носіть захисні окуляри чи окуляри з боковими щитками.



**ПОПЕРЕДЖЕННЯ:** Щоб уникнути травмування, розрізайте лише ті матеріали, які відповідають лезам пристрою. (див. розділ «Специфікації») Не намагайтеся розрізати інші матеріали.

### Розрізання

- Перед розрізанням переконайтеся в тому, що леза встановлено правильно.
- 1. Спрямуйте кабель до різальної поверхні кабельного ножа під прямим кутом. Не намагайтеся виконувати кутові розрізи, оскільки це призведе до пошкодження заготовки та лез.
- 2. Міцно візьміться за ручки. Натисніть і утримуйте пусковий курок від час роботи. Під час натискання курка горить світлодіодний індикатор. Після розрізання чи після вимкнення інструмента відпустіть пускову кнопку та натисніть зворотній вимикач, щоб відкрити різальний інструмент.

*Примітка: Під час розрізання заготовка може трохи зсуватися.*

### Дії в разі збоїв

- Якщо є імовірність того, що після розрізання кабель знаходиться під напругою, завжди повідомляйте про це відповідального за безпеку, зупиняйте процес розрізання та вживайте відповідні заходи безпеки
- Завжди переконайтеся в тому, що пристрій є та залишається зструмленим, перш ніж наблизитися та торкнутися його
- Натисніть і утримуйте кнопку скидання, доки різальний пристрій не відкриється повністю
- Перевірте заряд акумулятора
- Перевірте матеріал та його товщину згідно з технічними специфікаціями
- Якщо є підозра стосовно того, що було розрізано кабель під напругою, кабелеріз необхідно передати для огляду в уповноважену спеціалізовану майстерню

### Заклинювання лез

Бруд і сторонні частки можуть призводити до заклинювання лез після розрізання

- Натисніть і утримуйте курок розблокування, щоб повернути інструмент у початковий стан.
- Вийміть акумулятор.
- Щоб відкрити різальний інструмент, дотримуйтеся ілюстрованого опису
- Перед початком нового процесу розрізання видаліть бруд і сторонні частки з лез.

### Поради щодо розрізання

- Не намагайтеся виконувати кутові розрізи, оскільки це призведе до пошкодження заготовки та лез.
- Для подовження строку служби лез розрізайте чистий матеріал. Перед початком розрізання витирайте з матеріалу та лез бруд і сторонні частки.

### ОБСЛУГОВУВАННЯ

Перед будь-якими роботами на приладі виїняти змінну акумуляторну батарею.

У жодному разі не відкривайте кабелеріз, знімний акумулятор чи зарядний пристрій.

Перевіряйте кабелеріз на наявність будь-яких проблем, таких як шуми чи заклинювання рухомих деталей, що може впливати на роботу інструмента.

Перевірте різальні інструменти на наявність тріщин або інших ознак зношення.

Після завершення робіт очищайте та змащуйте різальні інструменти.

Перевіряйте гострість різальних кромок і замінійте зношені різакі.

Замінюйте леза, якщо вони мають щербини чи пошкодження. Завжди замінійте леза повним комплектом. Використовуйте лише леза MILWAUKEE.

Переконайтеся в тому, що різальні інструменти рухаються вільно.

Щоб уникнути травм та пошкодження майна, в жодному разі не опускайте інструмент, знімний акумулятор і зарядний пристрій у рідину та не допускайте проникнення рідини всередину цих пристроїв.

Завжди підтримувати чистоту вентиляційних отворів.

Прилад містить гідравлічну оливу, яка небезпечна для ґрунтових вод. Неконтрольоване зливання або неналежна утилізація караютьсяся.

Обслуговування пристрою необхідно виконувати раз на шість–дванадцять місяців залежно від використання.

Детальну інформацію про інтервали обслуговування можна отримати за допомогою додатка ONE-KEY.

Роботи з технічного обслуговування та ремонту можуть виконувати тільки авторизовані спеціалізовані центри.

Використовувати тільки комплектуючі та запчастини Milwaukee. Деталі, заміна яких не описується, замінювати тільки в відділі обслуговування клієнтів Milwaukee (зверніть увагу на брошуру „Гарантія / адреси сервісних центрів“).

У разі необхідності можна запросити креслення з зображенням вузлів машини в перспективному вигляді, для цього потрібно звернутися в ваш відділ обслуговування клієнтів або безпосередньо в Techtronic Industries GmbH, Max-Eyth-Strasse 10, 71364 Winnenden, Німеччина, та вказати тип машини та шестизначний номер на фірмовій табличці з даними машини.

### ONE-KEY™

Додаткову інформацію щодо функції ONE-KEY цього інструмента див. в наданому короткому посібнику щодо початку роботи або на нашому інтернет-сайті <http://www.milwaukeetool.com/one-key>.

Можна завантажити застосунок ONE-KEY через App Store або Google Play на ваш смартфон.

У разі виникнення електристотичного розряду Bluetooth-з'язок буде перервано, а інтерфейс застосунку буде закрито. Не використовуйте застосунок протягом наступних 45 с. Через 45 с перезавантажить застосунок, щоб відновити роботу. Ми сподіваємося, що результат буде знаходитися в межах мінімальної прийнятної продуктивності відповідно до EN 301489-1/ EN 301489-17. Ми надамо замовнику інструкції з експлуатації в посібнику користувача.

### АКУМУЛЯТОРНІ БАТАРЕЇ

Температура понад 50 °C зменшує потужність змінної акумуляторної батареї. Уникати тривалого нагрівання сонячними променями або системою обігріву.

З'єднувальні контакти зарядного пристрою та змінної акумуляторної батареї повинні бути чистими.

Для забезпечення оптимального строку експлуатації акумуляторні батареї після використання необхідно повністю зарядити. Змінну акумуляторну батарею, що не



використовувалася тривалий час, перед використанням необхідно підзарядити.

Для забезпечення максимально можливого терміну експлуатації акумуляторної батареї після зарядки необхідно виймати з зарядного пристрою.

При зберіганні акумуляторної батареї понад 30 днів; Зберігати акумуляторну батарею при температурі приблизно 27 °C в сухому місці. Зберігати акумуляторну батарею в стані зарядки приблизно 30-50 %. Кожні 6 місяців заново заряджати акумуляторну батарею.

Відпрацьовані знімні акумуляторні батареї не можна кидати у вогонь або викидати з побутовими відходами. Milwaukee пропонує утилізацію старих знімних акумуляторних батарей, безпечно для довкілля; зверніться до свого дилера.

Не зберігати знімні акумуляторні батареї разом з металевими предметами (небезпека короткого замикання).

Знімні акумуляторні батареї системи M18 заряджати лише зарядними пристроями системи M18. Не заряджати акумуляторні батареї інших систем.



## ТРАНСПОРТУВАННЯ ЛІТІЙ-ІОННИХ АКУМУЛЯТОРНИХ БАТАРЕЙ

Літій-іонні акумуляторні батареї підпадають під заборону перевезення про перевезення небезпечних вантажів.

Транспортування таких акумуляторних батарей повинно відбуватися із дотриманням місцевих, національних та міжнародних приписів та положень.

Споживачі можуть без проблем транспортувати ці акумуляторні батареї по вулиці.

Комерційне транспортування літій-іонних акумуляторних батарей експедиторськими компаніями підпадає під положення про транспортування небезпечних вантажів. Підготовку до відправлення та транспортування можуть здійснювати виключно особи, які пройшли відповідне навчання. Весь процес повинні контролювати кваліфіковані фахівці.

При транспортуванні акумуляторних батарей необхідно дотримуватись зазначених далі пунктів:

Переконайтеся в тому, що контакти захищені та ізольовані, щоб запобігти короткому замиканню. Слідкуйте за тим, щоб акумуляторна батарея не переміщувалася всередині упаковки. Пошкоджені акумуляторні батареї, або акумуляторні батареї, що потекли, не можна транспортувати. Для отримання подальших вказівок звертайтеся до своєї експедиторської компанії.

## СЕРТИФІКАТ ВІДПОВІДНОСТІ ВИМОГАМ ЕС

Ми заявляємо на власну відповідальність, що виріб, описаний в „Технічних даних“, відповідає всім застосовним положенням директиви

2011/65/EU RoHS, 2006/42/EC, 2014/30/EU, 2014/53/EU та наступним гармонізованим нормативним документам:

EN 62841-1:2015

EN 62479:2010

EN 60950-1:2006+A11:2009+A1:2010+A12:2011+AC:2011+A2:2013

EN 55014-1:2006+A1:2009+A2:2011

EN 55014-2:2015

EN 50581:2012

EN 301 489-1 V1.9.2 (2011-09)

EN 301 489-17 V2.2.1 (2012-09)

EN 300 328 V1.9.1 (2015-02)



Winnenden, 2017-05-03

Alexander Krug / Managing Director  
Уповноважений із складання технічної документації.

Techtronic Industries GmbH  
Max-Eyth-Straße 10, 71364 Winnenden, Germany

## СИМВОЛИ



Уважно прочитайте інструкцію з експлуатації перед введенням приладу в дію.



**ПОПЕРЕДЖЕННЯ!**

Небезпека травмування при відлітанні частин матеріалу



Під час роботи з машиною завжди носити захисні окуляри.



Небезпека ураження електричним струмом



**УВАГА! ПОПЕРЕДЖЕННЯ! НЕБЕЗПЕЧНО!**



Перед будь-якими роботами на приладі вийняти змінну акумуляторну батарею.



Тримайте руки на безпечній відстані від різальних інструментів і інших рухомих частин. Пальці можуть потрапити в різальний механізм, який може відірвати або травмувати їх.



Комплектуючі - не входять в обсяг постачання, рекомендовані доповнення з програми комплектуючих.



Електричні прилади не можна утилізувати з побутовими відходами. Електричні та електронні прилади необхідно збирати окремо та здавати в спеціалізовані підприємства для утилізації, що не шкодить навколишньому середовищу. Зверніться до місцевих органів або до вашого дилера, щоб отримати адреси пунктів вторинної переробки та пунктів прийому.



Знак CE



Знак відповідності для UkrSEPRO



Знак відповідності для Європи та Азії EurAsian

Українська

يرجى قراءة التعليمات بعناية قبل بدء تشغيل الجهاز.



تحذير!

خطر الإصابة من الشظايا المتطايرة



ارتد دائماً نظارات الوقاية عند استخدام الجهاز.



خطر التعرض لصعقة كهربائية



تنبيه! تحذيراً خطراً!



انزع البطارية قبل التعامل مع الجهاز.



احرص على إبعاد يديك عن أدوات القطع وما عداها من الأجزاء المتحركة. يمكن أن تنزلق الأصابع داخل آلية القطع وتتعرض للقطع أو الإصابة.



الملحق - ليس مدرجاً كمعدة قياسية، متوفر كملحق.



يحظر التخلص من الأجهزة الكهربائية في القمامة المنزلية. يجب جمع الأجهزة الكهربائية والإلكترونية منفصلة وتسليمها للتخلص منها بشكل لا يضر بالبيئة لدى شركة إعادة استغلال الرجاء الاستفسار لدى الهيئات المحلية أو لدى التجار المتخصصين عن مواقع إعادة الاستغلال ومواقع الجمع.



علامة المطابقة الأوروبية



علامة المطابقة UKrSEPRO



علامة المطابقة الأوروبية الآسيوية



تخضع بطاريات الليثيوم أيون لشروط قوانين نقل السلع الخطرة.

ويجب نقل هذه البطاريات وفقاً للأحكام والقوانين المحلية والوطنية والدولية.

يمكن للمستخدم نقل البطاريات براً دون الخضوع لشروط أخرى.

يخضع النقل التجاري لبطاريات الليثيوم أيون عن طريق الغير إلى قوانين نقل السلع الخطرة. يتعين أن يقوم أفراد مدربون جيداً بالإعداد لعملية النقل والقيام بها بصحبة خبراء مثلهم.

متى تُنقل البطاريات:

عند التأكد من حماية أطراف توصيل البطارية وعزلها تجنباً لحدوث قصر بالدائرة. عند التأكد من حماية حزمة البطارية من الحركة داخل صندوق التعبئة. يُرجى عدم نقل البطاريات التي بها تشققات أو تسربات. يُرجى البحث مع شركة الشحن عن نصيحة أخرى

### إعلان المطابقة - الاتحاد الأوروبي

نعلن تحت مسؤوليتنا وحدنا أن المنتج المعين تحت اسم "البيانات الفنية" يستوفي جميع الأحكام ذات الصلة ضمن التوجيهات

2011/65/EU RoHS, 2006/42/EG, 2014/30/EU, 2014/53/EU

والمعايير المتسقة التالية

EN 62841-1:2015

EN 62479:2010

EN 60950-1:2006+A11:2009+A1:2010+A12:2011

1+AC:2011+A2:2013

EN 55014-1:2006+A1:2009+A2:2011

EN 55014-2:2015

EN 50581:2012

(EN 301 489-1 V1.9.2 (2011-09

(EN 301 489-17 V2.2.1 (2012-09

(EN 300 328 V1.9.1 (2015-02

2017-05-03, Winnenden



Alexander Krug

Alexander Krug / Managing Director  
معتمة للمطابقة مع الملف الفني

Techronic Industries GmbH  
Max-Eyth-Straße 10, 71364 Winnenden,  
Germany



## الإجراء الواجب اتباعه في حالة حدوث أخطاء

- يمكن أن يكون الكابل مقطوعاً وموصولاً للجهد، دائماً أبلغ معهد الأمان بإيقاف عملية القطع واتخاذ إجراءات أمان مناسبة
- تأكد دائماً أن الجهاز مفصولاً ومن أنه سيظل مفصولاً عن مصدر الإمداد بالطاقة قبل الإقتراب من الجهاز ولمسه
- اضغط مع الاستمرار على زر إعادة الضبط حتى يُفتح القاطع بالكامل
- تحقق من سعة البطارية
- تحقق من المادة ومن سمك المادة بناءً على البيانات التقنية
- في حالة الاشتباه في قطع كابل مشحون بالتيار الكهربائي، فيجب فحص قاطع الكابلات في ورشة عمل متخصصة ومعتمدة

## الشفرات المحشورة

- يمكن أن تتسبب الأوساخ والبقايا في انحشار الشفرات معاً بعد القطع
- اضغط مع الاستمرار على زناد التحرير للتأكد من إعادة ضبط الأداة.
- قم بإزالة حزمة البطارية.
- اتبع الشرح المصور لفتح فكوك القطع
- نظف أية أوساخ وبقايا من الشفرات قبل بدء عملية قطع أخرى.

## نصائح القطع

- لا تحاول إجراء عمليات قطع زاوية لأن ذلك سيؤدي إلى تلف قطعة العمل والشفرات.
- اقطع مواد نظيفة لتمديد عمر الشفرة. امسح الأوساخ والبقايا الناتجة عن المواد والشفرات قبل بدء عملية القطع.

## الصيانة

- انزع البطارية قبل التعامل مع الجهاز.
- لا تفتح أبداً قاطع الكابلات أو البطارية القابلة للإزالة أو الشاحن.
- تحقق من قاطع الكابلات للتأكد من عدم وجود أية مشكلات مثل ضوضاء أو انحشار الأجزاء المتحركة التي يمكن أن تؤثر على الأداة.
- تحقق من أدوات القطع للتأكد من عدم وجود شقوق وأية علامات أخرى للتناكل.
- عند الانتهاء من العمل، نظف أدوات القطع وحمّشها.
- تحقق من أن شفرات القطع حادة واستبدل فكوك القطع المتناكلة.

استبدل الشفرات عندما تصبح مكسورة أو تالفة. استبدل دائماً الشفرات كمجموعة واحدة. لا تستخدم سوى شفرات MILWAUKEE.

- تحقق من أن أدوات القطع تتحرك بحرية.
- لتجنب الإصابات والتلف، لا تغمر الأداة أو البطارية القابلة للإزالة أو الشاحن في سائل أو تسمح للسائل باختراقها.
- يجب أن تكون فتحات تهوية الجهاز نظيفة طوال الوقت.
- تحتوي الآلة على سائل هيدروليكي. تُشكل السوائل الهيدروليكية خطورة على المياه الجوفية. ويعاقب القانون على التصريف غير المرأوب أو التخلص غير الملائم من النفايات.

يجب صيانة الجهاز كل ستة إلى اثني عشر شهراً، وفقاً للاستخدام.

يمكنك معرفة المزيد حول الفترات الزمنية للصيانة عبر تطبيق ONE-KEY.

قد يقوم بالخدمة وأعمال التصليح ورش عمل مخصصة ومعتمدة فقط.

استخدم فقط ملحقات ميلوكي وكذلك قطع غير ميلوكي. إذا كانت المكونات التي يجب تغييرها غير مذكورة، يرجى الاتصال بأحد عملاء صيانة ميلوكي (انظر قائمة عناوين الضمان/الصيانة الخاصة بنا).

عند الحاجة يمكن طلب رمز انفجار الجهاز بعد ذكر طراز الآلة والرقم التسلسلي المذكور على بطاقة طاقة الآلة لدى جهة خدمة العملاء أو مباشرة لدى شركة

Techtronic Industries GmbH  
Max-Eyth-Straße 10  
71364 Winnenden  
الألمانيا

## TM ONE-KEY

لمعرفة المزيد حول عمل خاصية "المفتاح الواحد" المزودة بها هذه الماكينة، اقرأ الدليل المختصر المرفق أو تفضل بزيارة موقع الإنترنت

<http://www.milwaukeeetool.com/one-key>

يمكنك تحميل تطبيق "المفتاح الواحد" عن طريق App Store أو Google Play على هاتفك الذكي.

عند حدوث تفريغ الكترولستاتي، سيتم فصل اتصال البلوتوث وسيتم الخروج من واجهة التطبيق. وسيصبح التطبيق عديم الاستخدام في غضون 45 ثانية. بعد 45 ثانية، ستحتاج إلى إعادة ضبط التطبيق لاسترداده. اعتبرنا أن النتيجة ضمن الحد الأدنى لمستوى الأداء الذي نقبله وفقاً للمواصفات EN 301489-1/ EN 301489-19. وسندعم إرشادات التشغيل للعميل في دليل المستخدم.

## البطاريات

تقلل درجات الحرارة التي تتجاوز 50° سيلزيوس (122° فهرنهايت) من أداء البطارية. تجنب التعرض الزائد للحرارة أو أشعة الشمس (خطر التسخين)..

يجب الحفاظ على محتويات الشواحن و البطاريات نظيفة. للحصول على فترة استخدام مثالية، يجب شحن البطاريات تماماً بعد الاستخدام. يجب إعادة شحن البطارية غير المستخدمة لفترة قبل الاستخدام.

للحصول على أطول عمر ممكن للبطارية، انزع البطارية من الشاحن بمجرد شحنها تماماً.

لتخزين البطارية أكثر من 30 يوم، خزن البطارية بحيث تكون درجة الحرارة أقل من 27° سيلزيوس وبعيداً عن أي رطوبة. خزن البطارية مشحونة بنسبة تتراوح بين 50% - 30، اشحن البطارية كالمعتاد، وذلك كل ستة أشهر من التخزين.

لا تتخلص من البطاريات المستعملة مع النفايات المنزلية أو بحرقها. يقدم موزع ميلوكي خدمة استعادة البطاريات القديمة لحماية البيئة.

لا تقم بتخزين البطارية مع الأشياء المعدنية (خطر قصر الدائرة)..

استخدم فقط شواحن System M18 لشحن بطاريات System M18. لا تستخدم بطاريات من أنظمة أخرى.

لتجنب الإصابة والتلف، لا تعمر الأداة أو البطارية القابلة للإزالة أو الشاحن في سائل أو تسمح للسانن باختراقها. أمسك قاطع الكابلات من المقبضين. في حالة حدوث أخطاء أثناء عملية القطع، حرر الزناد على الفور واضغط على زر إعادة الضبط الهيدروليكي. حيث سيفتح الصمام ويعود المكبس إلى وضعه الأولي.

### المخاطر المتبقية

قبل بدء عملية القطع، يجب حظر دخول منطقة العمل وفقاً للوائح المحلية.

لا تقطع سوى الكابلات التي تم فصلها عن مصدر الإمداد بالطاقة.

يجب ألا تتعرض الكابلات والحبال لأي قوى ميكانيكية.

يمكن أن يؤدي عدم الامتثال لهذه التعليمات إلى إصابات خطيرة ووفلا وحرائق وتلف للممتلكات كنتيجة للصدمة الكهربائية أو الانفجار أو الأوقاس الكهربائية أو جميع ما سبق.

ارتد نظارات.

### شروط الاستخدام المحددة

قطاعة الكابلات مناسبة لقطع الكابلات خالية الجهد من نحاس أو الألمنيوم معزول وحبال التوصيل من الألمنيوم المقوى بالفولاذ (حبال الألمنيوم/صلب)، وحبال الصلب، وكل حسب نوع الكابل.

يجب ألا يتم قطع أو فصل الكابلات والحبال باستخدام قطاعة الكابلات هذه إلا من خلال شخص مدرّب على التكنولوجيا الكهربائية.

يجب أن يتم تعريف مشغل قاطع الكابلات بالمخاطر المحددة المرتبطة باستخدام قاطع الكابلات هذا ويتدابير السلامة الأساسية قبل العمل به لأول مرة وعلى الأقل مرة واحدة في السنة بعد ذلك.

يجب على شركة التشغيل:

- توفير دليل التشغيل للمشغل
- والتأكد من أن المشغل قرأه وفهمه.

**⚠ تحذير اقرأ جميع تعليمات السلامة والإرشادات والشروح والبيانات المرفقة مع الجهاز.** قد يؤدي الفشل في مراعاة التحذيرات والتعليمات إلى التعرض للإصابة بصدمة كهربية أو الحريق أو إصابات خطيرة.

**احتفظ بجميع التنبيهات والتعليمات للرجوع إليها مستقبلاً.**

### الاستخدام

#### إعداد منطقة العمل

قبل بدء العمل يجب إنتاج حالة خالية من الجهد في التوصيلات أو الحبال وتأمين هذه الحالة طيلة مدة الأعمال.

إذا لم يكن من الممكن نهائياً ضمان فصل الكابلات أو الخط المعزول، فلا يجوز تنفيذ أية أعمال.

لا بد من مراعاة تعليمات الأمان والتشريعات المحلية المعمول بها.

يجب ألا تتعرض الكابلات والحبال لأي قوى ميكانيكية ويجب أن تأميناها حين الضرورة ضد أية حركات غير مراقبة بعد القطع.

لا تُعرض الأدوات للمطر. لا تستخدم الأدوات في مواقع رطبة أو مبللة.

### تجهيز قاطع الكابلات والبطارية

قبل كل استخدام:

- افحص قاطع الكابلات للتأكد من عدم وجود عيوب خارجية
- تحقق من أداة القطع للتأكد من عدم وجود شقوق وأية علامات أخرى للتآكل

لا تستخدم الجهاز إلا وهو في حالة ممتازة!

قبل بدء عملية القطع، يجب التحقق من سعة البطارية: بحد أدنى 33% (انظر الوصف الموضح).

قد تتطلب الشحن قبل بدء العمل.

### التجهيز لعملية القطع

ادعم وثبّت الكابل أو الحبل المراد قطعه، من أجل تقليل خطر حدوث حركة غير محكومة.

يمكن أن تتحرك الوصلات الحرة والحبال بشكل خاص بصورة غير مراقبة وتحدث إصابات و/أو أضرار.

يجب أن يُوضع رأس القطع בזواوية 90 درجة على الكابل أو الحبل، بحيث يستقر هذا أو ذلك دون جهد في داخل فكوك القطع المفتوحة ويتم تجنب أية قوى قطع غير مناسبة.



### تحذير: للحد من خطر الانفجارات والصددمات

الكهربائية وتلف الممتلكات والمعدات، لا تقطع أبداً الكابلات الكهربائية المشحونة بالتيار الكهربائي.

الأداة ليست معزولة. قد يؤدي التلامس مع دائرة مشحونة بتيار كهربائي إلى إصابات شديدة أو الوفاة. أوقف التشغيل قبل إجراء القطع. لا تقطع أبداً خطوط الغاز أو خطوط المياه.

أبعد يديك عن جميع حواف القطع والأجزاء المتحركة. فقد يحدث لها تمزق أو بتر.

قم دائماً بإزالة حزمة البطارية قبل تغيير الملحقات أو إزالتها. لا تستخدم سوى الملحقات الموصى بها خصيصاً لهذه الأداة. فقد ينطوي استخدام غيرها على خطورة.

للحد من خطر الإصابة، ارتد نظارة واقية أو نظارة مزودة بحاجز حماية جانبي.



### تحذير: للحد من خطر الإصابة، اقطع فقط المواد

الموصى بها للشفرات. (انظر ,,المواصفات") لا تحاول قطع مواد أخرى.

### القطع

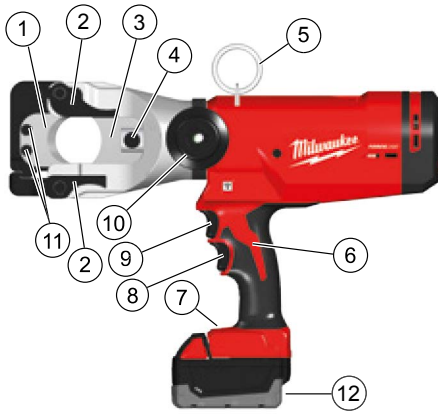
• قبل القطع، تأكد من تركيب الشفرات بشكل صحيح.

1. مد الكابل بزواوية قائمة إلى شفرات قاطعة الكابلات. لا تحاول إجراء عمليات قطع زاوية لأن ذلك سيؤدي إلى تلف قطعة العمل والشفرات.

2. اسحب الزناد مع الاستمرار طوال العملية أمسك المقبض (المقبض) بإحكام. حرك الأ

سيضاء مؤشر LED عندما يتم سحب الزناد. عندما يتم القطع أو تتوقف الأداة عن العمل، أعد إطلاق زر التشغيل واضغط على زر الإرجاع، حتى يتم فتح فكوك القطع.

ملاحظة: قد تتحرك قطعة العمل قليلاً أثناء القطع.



### وصف الجهاز

- |                       |                            |
|-----------------------|----------------------------|
| 1 الشفرة الأمامية     | 7 مؤشر LED                 |
| 2 أذرع تحرير فك الآلة | 8 زناد التحرير             |
| 3 الشفرة الخلفية      | 9 الزناد                   |
| 4 دبوس احتجاز الشفرة  | 10 مقبض إضافي              |
| 5 عروة التعليق        | 11 mm 5 براغي بتجويف سداسي |
| 6 المقبض              | 12 البطارية                |

**⚠ تحذير اقرأ جميع تعليمات السلامة والإرشادات والشروح والبيانات المرفقة مع الجهاز.** قد يؤدي الفشل في مراعاة التحذيرات والتعليمات إلى التعرض للإصابة بصدمة كهربائية أو الحرق و/أو إصابة خطيرة. **احتفظ بجميع التنبيهات والتعليمات للرجوع إليها مستقبلاً.**

### ⚠ تعليمات سلامة المتطقة بقطاعة الكابلات

للحد من خطر الانفجارات والصدمات الكهربائية وتلف الممتلكات والمعدات، لا تقطع أبداً الكابلات الكهربائية المشحونة بالتيار الكهربائي. الأداة ليست معزولة.

احرص على إبعاد يديك وملابسك الفضفاضة عن أدوات القطع وما عداها من الأجزاء المتحركة. هناك خطر الإصابة الخطيرة، بما في ذلك قطع الأطراف.

ينصح باستخدام الملابس الواقية مثل الكمامات الواقية من الغبار، والقفازات، والأحذية القوية غير المنزلقة، والخوذات، وواقبات الأذن.

استخدم معدة الوقاية. ارتد دائماً نظارة واقية عند العمل مع قاطع الكابلات.

تجنب التشغيل العرضي لقاطع الكابلات. قبل التوصيل ببطارية قابلة للإزالة، تأكد من تأمين الزناد بقفل المفتاح. لا تمسك أبداً قاطع الكابلات من فكي القطع.

قبل الاستخدام، تحقق دائماً من فكي القطع للتأكد من عدم وجود تشققات وآية علامات أخرى للتآكل.

لا تستخدم قاطع الكابلات والبطارية القابلة للإزالة والشاحن إلا إذا كانوا في حالة ممتازة من الناحية التقنية.

يجب إصلاح الأجزاء التالفة فوراً من خلال ورشة عمل معتمدة. انزع البطارية قبل التعامل مع الجهاز.

لا يجوز استخدام قاطع الكابلات إلا مع إدخال أداة قطع.

قم بإزالة أية أدوات ضبط أو مفاتيح ربط قبل إجراء القطع.

M18 HCC45		البيانات الفنية قطاعة الكابلات
4587 00 01... ... 000001- 999999		إنتاج عدد
18 V		فولطية البطارية
77,8 kN		القوة الاسمية
الحد الأقصى		نطاق القطع بناءً على نوع الكابل
Ø 44 mm		ACSR: الألمنيوم-حبال من الصلب النحاس / الألمنيوم
6,0 kg		الوزن وفقاً لنهج EPTA رقم 01/2003 (Li-Ion 2,0 Ah)
معلومات المضوضاء		
القيم التي تم قياسها محددة وفقاً للمعايير الأوروبية EN 62841 مستويات ضوضاء الجهاز، ترجيحاً بشكل نموذجي كالتالي:		
76,9 dB(A)		مستوى ضغط الصوت (الارتياح في القياس = 3 ديسيبل (A))
87,9 dB(A)		مستوى شدة الصوت (الارتياح في القياس = 3 ديسيبل (A))
<b>ارتد واقيات الأذن!</b>		
معلومات الاهتزاز		
قيم الذبذبات الإجمالي (مجموع الكميات الموجهة في المحاور الثلاثة) محددة وفقاً للمعايير الأوروبية EN 62841		
1,2 m/s <sup>2</sup>		قيمة انبعاث الذبذبات a <sub>w</sub>
1,5 m/s <sup>2</sup>		الارتياح في القياس

### تحذير!

تم قياس مستوى انبعاث الذبذبات الموجود بوثيقة المعلومات هذه وفقاً للاختبار القياسي وفقاً للمعايير الأوروبية EN 62841 ويمكن استخدامه لمقارنة جهاز بغيره. كما يمكن استخدامه لعرض تقييم تمهيدي.

يمثل مستوى انبعاث الذبذبات المعلن عنه تطبيقات الجهاز الرئيسية. بالرغم من ذلك، فإنه إذا ما تم استخدام الجهاز لتطبيقات مختلفة، بملحقات مختلفة أو لم يتم المحافظة عليه، فقد يختلف انبعاث الذبذبات. قد يزيد ذلك بصورة كبيرة من مستوى التعرض للذبذبات طوال فترة العمل الإجمالية.

يجب الوضع في الاعتبار عند تقدير مستوى التعرض للذبذبات مرات إيقاف الجهاز أو تشغيله لكن دون استخدامه في القيام بمهمة. فقد يقل ذلك بصورة كبيرة من مستوى التعرض للذبذبات طوال فترة العمل الإجمالية.

تعرف على معايير السلامة الإضافية لحماية المشغل من آثار الذبذبات مثل: صيانة الجهاز والملحقات، الحفاظ على دفء الأيدي، وتنظيم نماذج العمل.

Copyright 2017  
Techtronic Industries GmbH  
Max-Eyth-Straße 10  
71364 Winnenden  
Germany

+49 (0) 7195-12-0



**EAC**

(05.17)

**4931 4258 63**