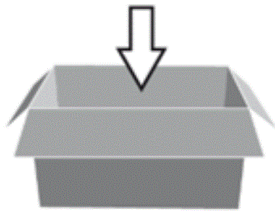
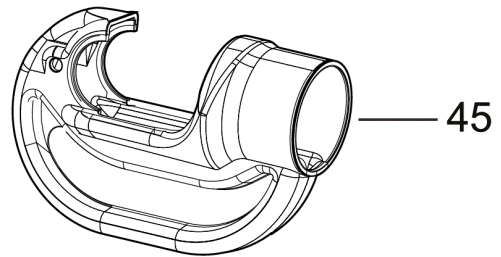
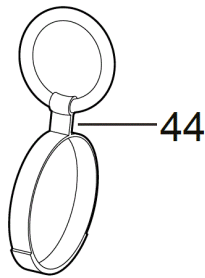
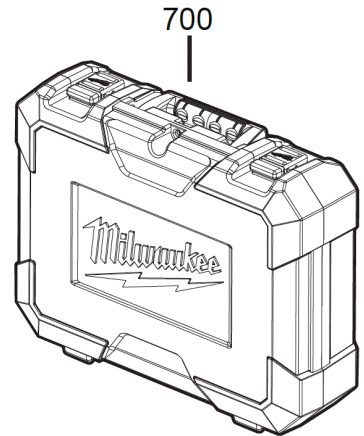
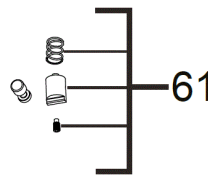
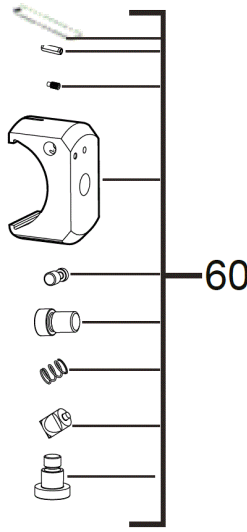


M18HCCT109/42-522C Hyd.12t Crimper IN2

4933459273 - M18HCCT109/42-522C IN2 - 4000458730



Force Logic™



Position	Quantity	Description	Part number	EAN
0044	1	RING	4931466956	4058546281731
0045	1	HEAD	4931466957	4058546281748
0060	1	PUNCH	4931466960	4058546281779
0061	2	HOLDER	4931466961	4058546281786
0700	1	CARRYING CASE	4931466972	4058546281892