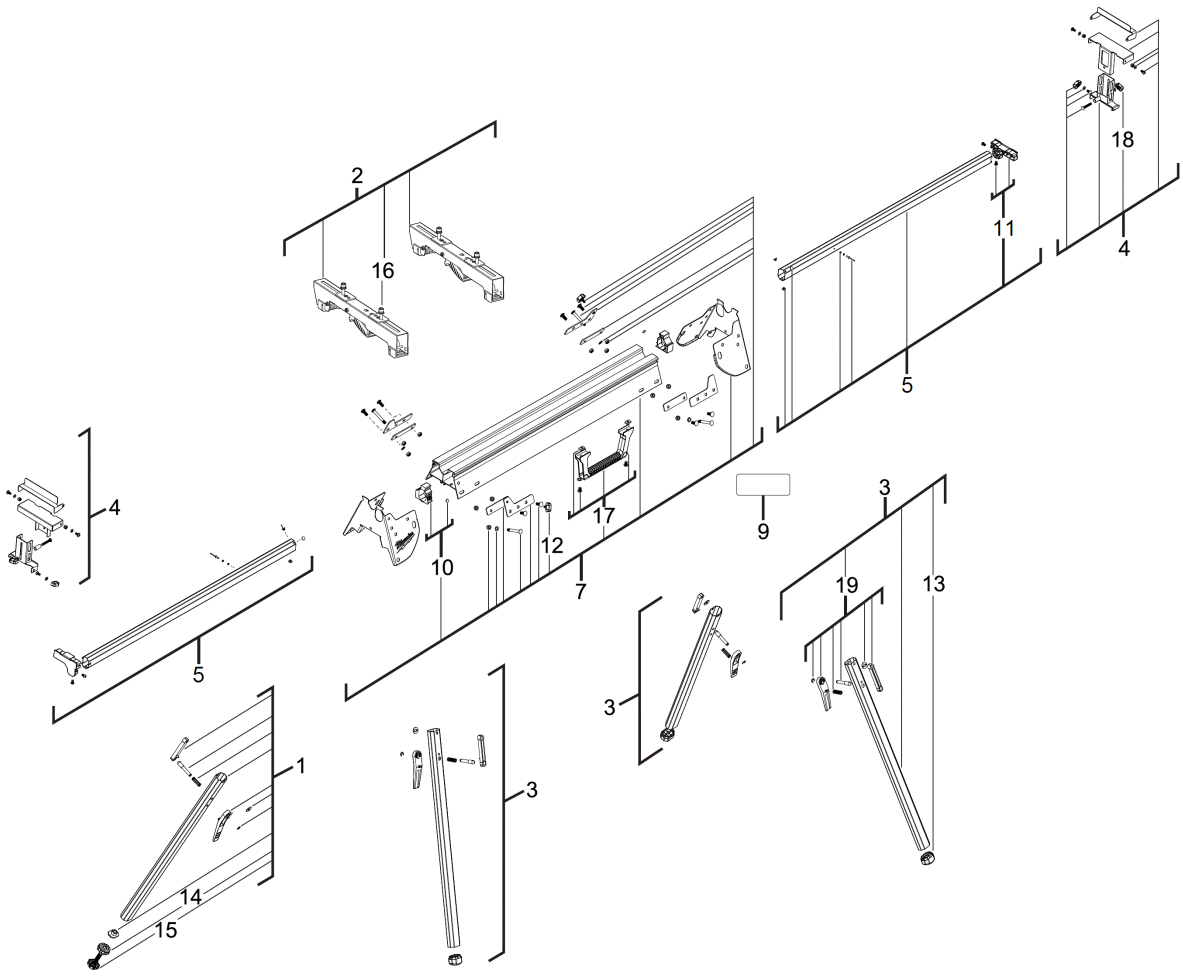


MSL2000 Miter Saw Legstand XXX

4933459617 - MSL2000 - 4000460555





Position	Quantity	Description	Part number	EAN
0001	1	FOOT	4931461727	4058546039608
0002	1	MSLA1 LEGSTAND BRACKETS (2PCS) XXX	4932459712	4058546028848
0003	3	FOOT	4931461728	4058546039615
0004	2	HOLDING DEVICE	4931461729	4058546039622
0005	2	SUPPORTING PLATE	4931461730	4058546039639
0007	1	SUPPORTING PLATE	4931461731	4058546039646
0009	1	RATING PLATE	4931461732	4058546039653
0010	2	ADAPTER SLEEVE	4931461733	4058546039660
0011	2	COVER ASSY	4931461734	4058546039677
0012	2	INTERLOCK ELEMENT	4931461735	4058546039684
0013	3	FOOT	4931461736	4058546039691
0014	1	COMPENSATION PLATE	4931461737	4058546039707
0015	1	COMPENSATING WASHER	4931461738	4058546039714
0016	1	SCREW	4931461739	4058546039721
0017	1	HANDLE COMPL.	4931461740	4058546039738
0018	2	KNOB	4931461741	4058546039745
0019	4	RELEASE LEVER	4931461742	4058546039752