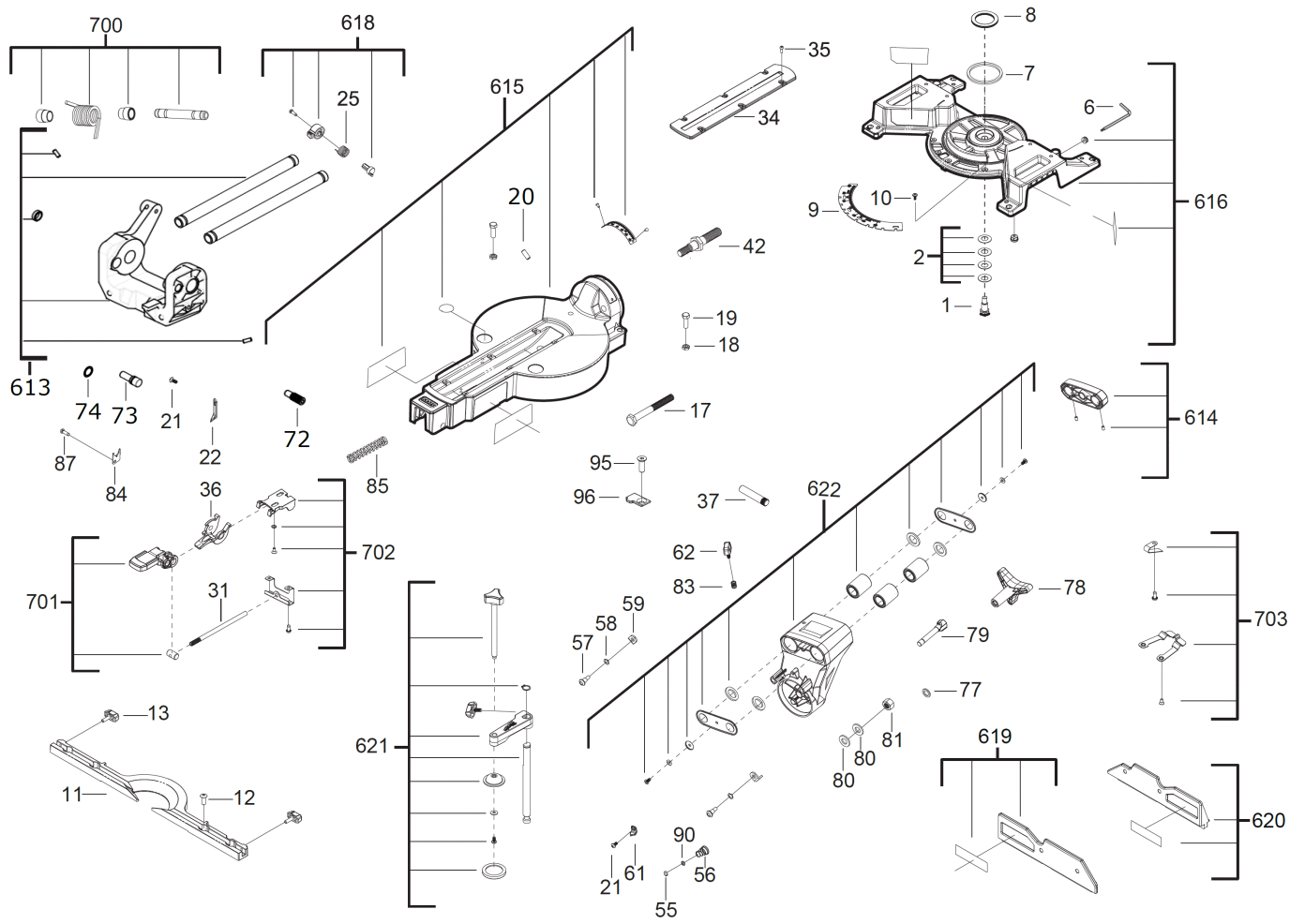
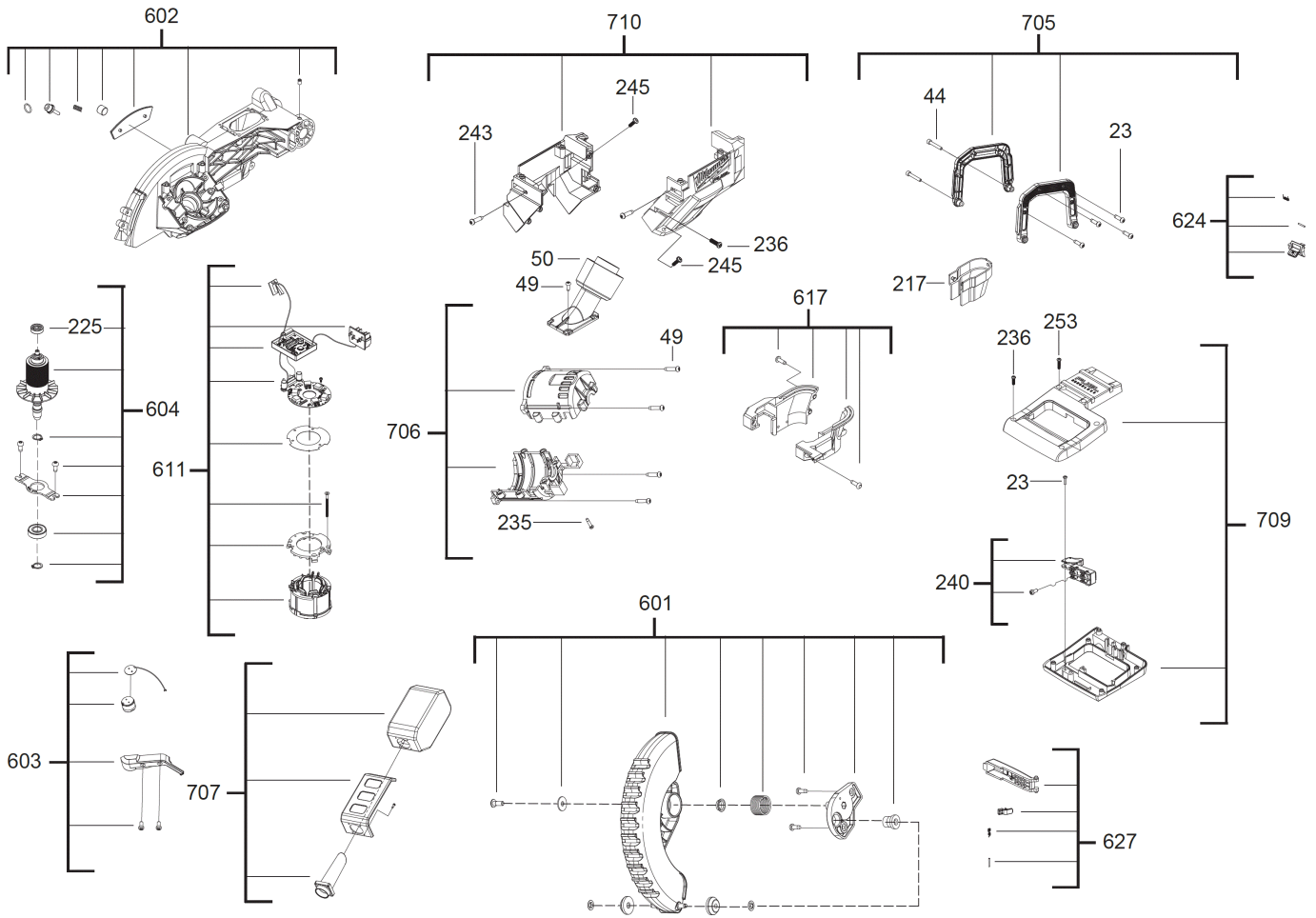


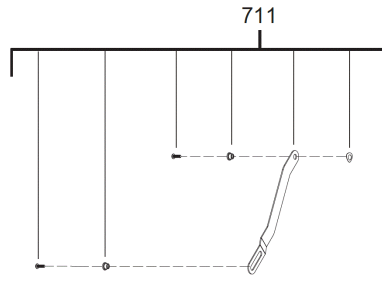
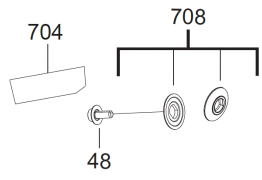
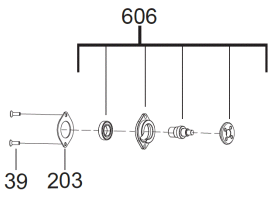
M18FMS190-0 MITRE SAW XXX

4933459619 - M18FMS190-0 - 4000460635









Position	Quantity	Description	Part number	EAN
0001	1	BEARING BOLT	4931461974	4058546230746
0002	1	SPRING	4931454651	4058546012687
0006	1	ALLEN KEY	4931461976	4058546230760
0007	1	FELT WASHER	4931461977	4058546230777
0008	1	THRUST BEARING	4931461978	4058546230784
0009	1	SCALE	4931461979	4058546230791
0010	4	SCREW	4931461980	4058546230807
0011	1	GUIDE KIT	4931461981	4058546230814
0012	4	SCREW	4931461982	4058546230821
0013	2	T-SCREW	4931461983	4058546230838
0017	1	CLAMPING SCREW	4931461984	4058546230845
0018	2	NUT	4931461985	4058546230852
0019	2	SCREW	4931461986	4058546230869
0020	1	SCREW	4931461987	4058546230876
0021	5	SCREW	4931461988	4058546230883
0022	1	POINTER	4931461989	4058546230890
0023	6	SCREW	4931461990	4058546230906
0025	1	SPRING	4931454659	4058546012762
0031	1	ROD	4931461991	4058546230913
0034	1	TABLE INSERT	4931461992	4058546230920
0035	6	SCREW	4931461993	4058546230937
0036	1	CLAMPING LEVER	4931461994	4058546230944
0037	1	AXLE	4931461995	4058546230951
0039	4	SCREW	4931461996	4058546230968
0042	1	THREADED BOLT	4931461997	4058546230975
0044	2	SCREW	4931461998	4058546230982
0048	1	SET SCREW	4931454626	4058546012434
0049	10	SCREW	4931461999	4058546230999
0050	1	SUCTION SLEEVE	4931465000	4058546231002
0055	1	CABLE CLAMP	4931465001	4058546231019
0056	1	SPRING	4931465002	4058546231026
0057	2	SCREW	4931465003	4058546231033
0058	2	WASHER	4931465004	4058546231040
0059	2	RUBBER STOP	4931465005	4058546231057
0061	1	INDICATOR SET	4931465006	4058546231064
0062	1	KNOB	4931454649	4058546012663
0072	1	STOP	4931454638	4058546012557
0073	1	SPINDLE LOCK	4931454637	4058546012540
0074	1	O-RING	4931454636	4058546012533
0077	1	WASHER	4931465009	4058546231095
0078	1	T-NUT	4931465010	4058546231101
0079	1	BOLT	4931465011	4058546231118
0080	2	WASHER	4931465012	4058546231125
0081	1	NUT	4931465013	4058546231132
0083	1	SIDE SPRING	4931465014	4058546231149
0084	1	LOCK COMPLETE	4931465015	4058546231156
0085	1	TENSION SPRING	4931465016	4058546231163
0087	1	SCREW	4931465017	4058546231170
0090	1	LOOKED WASHER	4931465018	4058546231187
0095	1	SCREW	4931465019	4058546231194

Position	Quantité	Désignation	Référence	EAN
0096	1	PLATE	4931465020	4058546231200
0203	2	HOLDING PLATE	4931465021	4058546231217
0217	1	DUST EXTRACTION	4931465022	4058546231224
0225	1	BALL BEARING	4931465023	4058546231231
0235	6	SCREW	4931465024	4058546231248
0236	11	SCREW	4931465025	4058546231255
0240	1	SWITCH	4931465026	4058546231262
0243	2	SCREW	4931465027	4058546231279
0245	4	SCREW	4931465028	4058546231286
0253	1	SCREW	4931465029	4058546231293
0601	1	SAW PROTECTION	4931465030	4058546231309
0602	1	MOTOR SUPPORT	4931465031	4058546231316
0603	1	INDICATOR SET	4931465032	4058546231323
0604	1	ARMATURE	4931465033	4058546231330
0606	1	SPINDLE KIT	4931465034	4058546231347
0611	1	ELECTRIC FIELD	4931465035	4058546231354
0613	1	GUIDE BAR	4931465036	4058546231361
0614	1	COVER	4931465037	4058546231378
0615	1	SAWING TABLE	4931465038	4058546231385
0616	1	BASE PLATE	4931465039	4058546231392
0617	1	DUST EXTRACTION	4931465040	4058546231408
0618	1	LOCK COMPLETE	4931465041	4058546231415
0619	1	COVER	4931465042	4058546231422
0620	1	COVER	4931465043	4058546231439
0621	1	CLAMPING PIECE	4931465044	4058546231446
0622	1	GUIDE PIECE	4931465045	4058546231453
0624	1	INDICATOR SET	4931465046	4058546231460
0627	1	TRIGGER	4931465047	4058546231477
0700	1	GUIDE SHAFT	4931465048	4058546231484
0701	1	LOCKING PIECE	4931465049	4058546231491
0702	1	GUIDE PIECE	4931465050	4058546231507
0703	1	RETAINING SPRING	4931465051	4058546231514
0704	1	RATING PLATE	4931465052	4058546231521
0705	1	HOLDING GRIP	4931465053	4058546231538
0706	1	HOUSING SET ASSY	4931465054	4058546231545
0707	1	DUST BAG	4931465055	4058546231552
0708	1	CLAMPING FLANGE	4931465056	4058546231569
0709	1	HANDLE SET	4931465057	4058546231576
0710	1	HOUSING	4931465058	4058546231583
0711	1	YOKE	4931465059	4058546231590