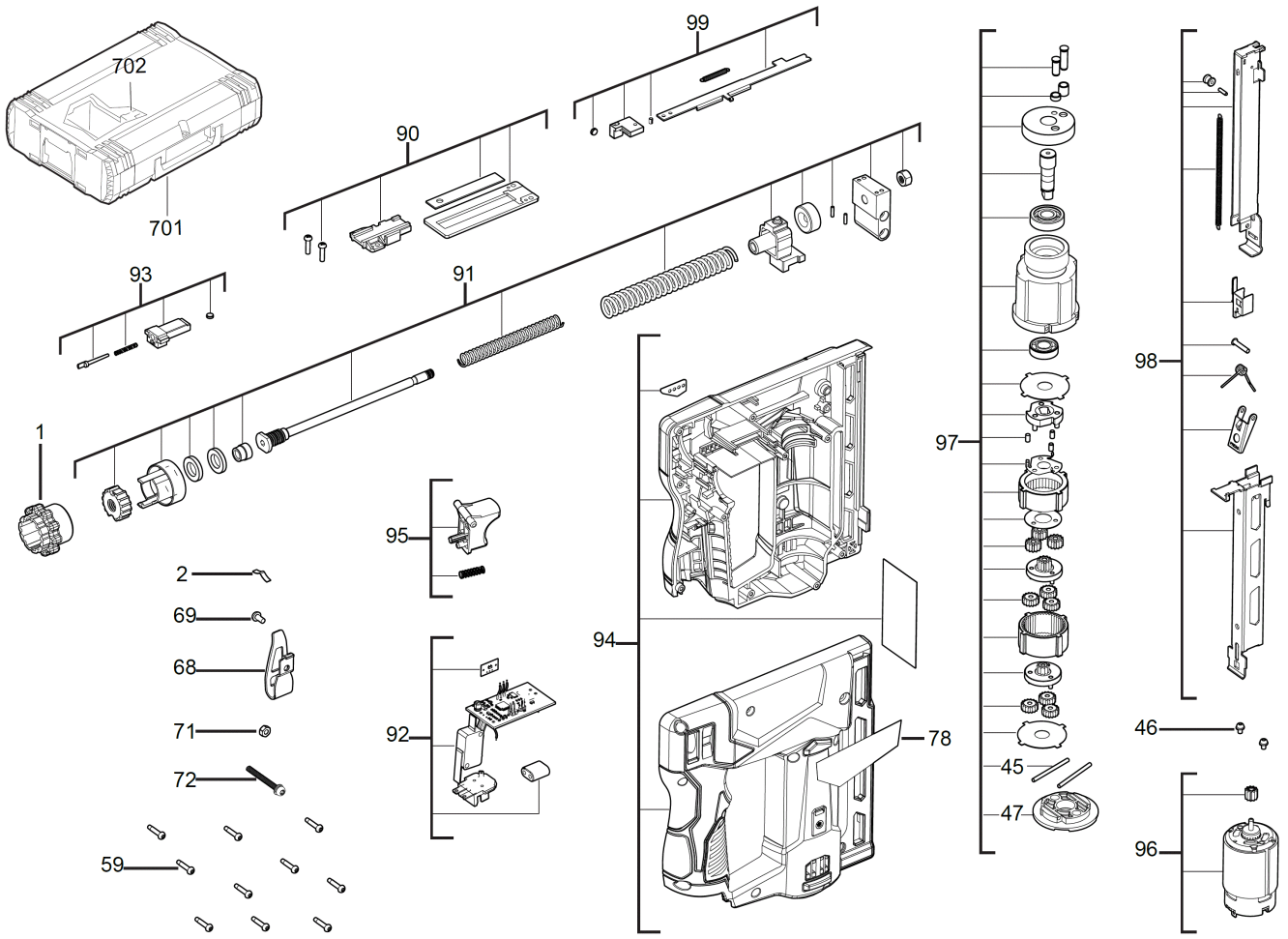


M12BST-202X Brushed Stapler IN2

4933459635 - M12BST-202X - 4000458987





Position	Quantity	Description	Part number	EAN
	1	PART NOT DEATAILED	1000063920	
0001	1	SLEEVE	4931461931	4058546230319
0002	1	SPRING PLATE	4931452341	4002395172528
0045	2	PIN	4931435945	4002395885688
0046	2	SCREW	4931461932	4058546230326
0047	1	HOUSING COVER	4931461933	4058546230333
0059	10	SCREW	660570005	4002395827329
0068	1	STAMP	4931436593	4002395255856
0069	1	SCREW	4931436566	4002395257638
0071	1	LOCKING NUT	4931461934	4058546230340
0072	1	SCREW	4931461935	4058546230357
0078	1	RATING PLATE	4931461936	4058546230364
0090	1	GUIDE	4931461937	4058546230371
0091	1	DRIVING SHAFT	4931461938	4058546230388
0092	1	ELECTRONIC SWITCH	4931461939	4058546230395
0093	1	MAGNETIC HOLDER	4931461940	4058546230401
0094	1	HOUSING	4931461941	4058546230418
0095	1	TRIGGER	4931461942	4058546230425
0096	1	MOTOR ASSEMBLY	4931461943	4058546230432
0097	1	GEAR KIT	4931461944	4058546230449
0098	1	MAGAZINE	4931461945	4058546230456
0099	1	CONTACT	4931461946	4058546230463
0701	1	HD Box 1 - 1pc	4932453385	4002395146376
0702	1	INSERT	4931461947	4058546230470
	1	M12-18C BATTERY CHARGER IN2	4932352959	4002395376179
	2	M12B2 LI-ION BATTERY PACK 2.0AH XXX	4932430064	4002395377251