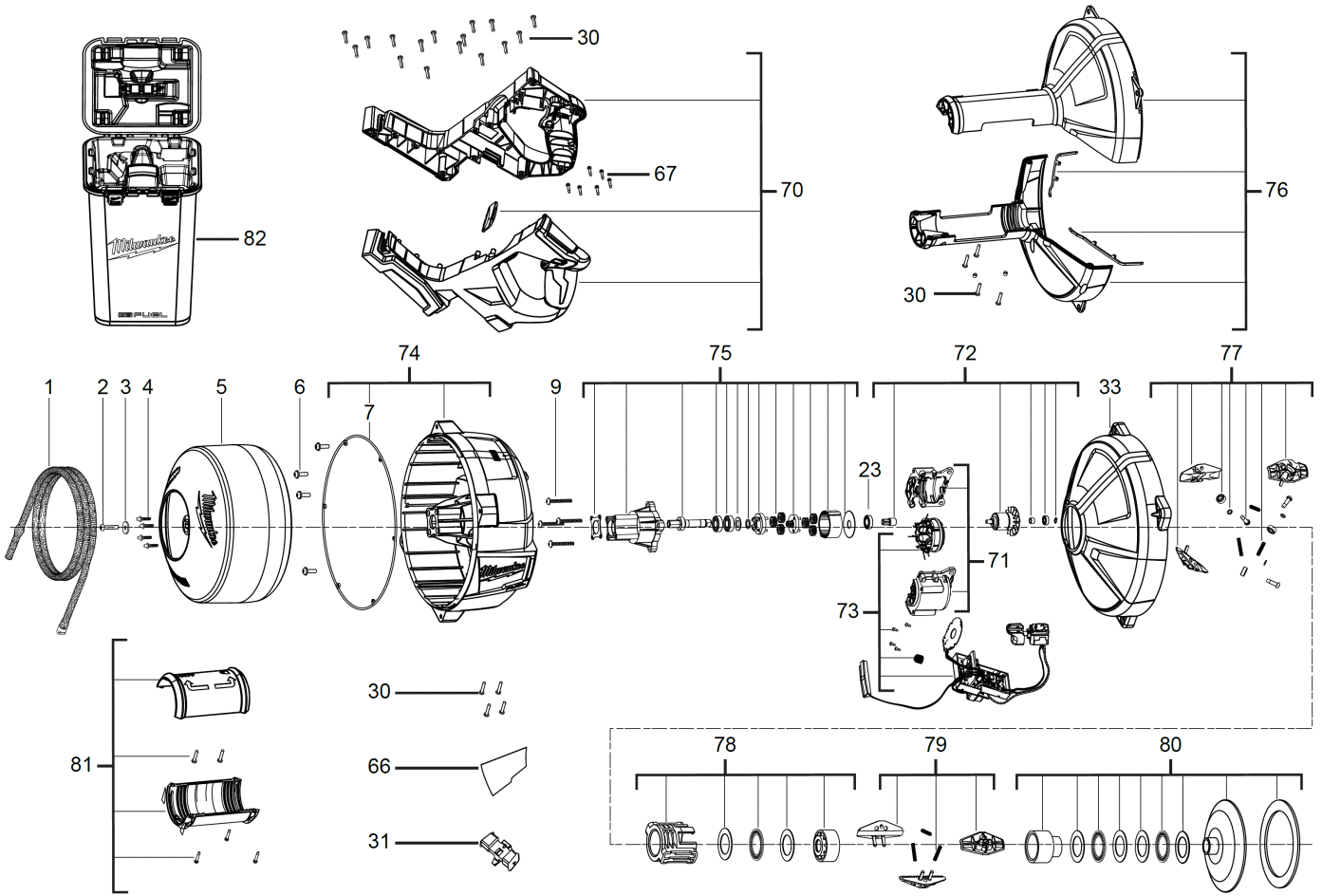


# M18FDCPF10-201C BTY. DRAIN CLEANER IN2

4933459685 - M18FDCPF10-201C - 4000460692





| Position | Quantity | Description                   | Part number | EAN           |
|----------|----------|-------------------------------|-------------|---------------|
| 0001     | 1        | 10MM X 10,5M SPIRAL M18PF-1PC | 48532675    | 45242482788   |
| 0002     | 1        | SCREW                         | 4931453940  | 4002395280483 |
| 0003     | 1        | WASHER                        | 4931453941  | 4002395280490 |
| 0004     | 4        | SCREW                         | 4931465351  | 4058546234515 |
| 0005     | 1        | MOULDED PART                  | 4931465352  | 4058546234522 |
| 0006     | 4        | SCREW                         | 4931453939  | 4002395280476 |
| 0007     | 1        | SEAL RING                     | 4931465353  | 4058546234539 |
| 0009     | 4        | SCREW                         | 4931436564  | 4002395257614 |
| 0023     | 1        | BALL BEARING                  | 4931465355  | 4058546234553 |
| 0030     | 24       | SCREW                         | 06827261    | 4058546068967 |
| 0031     | 1        | INTERLOCK ELEMENT             | 4931465357  | 4058546234577 |
| 0033     | 1        | RUBBER CAP                    | 4931465358  | 4058546234584 |
| 0066     | 1        | RATING PLATE                  | 4931465359  | 4058546234591 |
| 0067     | 6        | SCREW                         | 660570005   | 4002395827329 |
| 0070     | 1        | HOUSING                       | 4931465361  | 4058546234614 |
| 0071     | 1        | MOTOR HOUSING                 | 4931465362  | 4058546234621 |
| 0072     | 1        | ARMATURE ASSEMBLY             | 4931465363  | 4058546234638 |
| 0073     | 1        | SWITCH ASSEMBLY               | 4931465364  | 4058546234645 |
| 0074     | 1        | HOUSING                       | 4931465365  | 4058546234652 |
| 0075     | 1        | GEAR BOX KIT                  | 4931465366  | 4058546234669 |
| 0076     | 1        | COVER ASSY                    | 4931465367  | 4058546234676 |
| 0077     | 1        | GUIDE SLEEVE                  | 4931465368  | 4058546234683 |
| 0078     | 1        | LOCKING PIECE                 | 4931465369  | 4058546234690 |
| 0079     | 1        | LOCK COMPLETE                 | 4931465370  | 4058546234706 |
| 0080     | 1        | GUIDE                         | 4931465371  | 4058546234713 |
| 0081     | 1        | INTERLOCK SLEAVE              | 4931465372  | 4058546234720 |
| 0082     | 1        | TANK                          | 4931465373  | 4058546234737 |