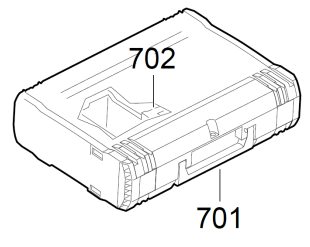
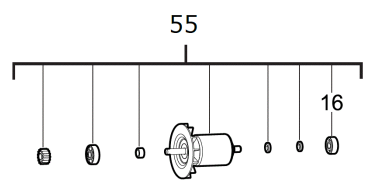
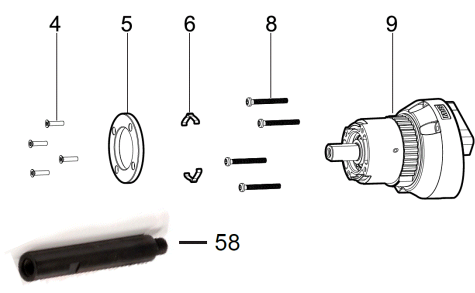
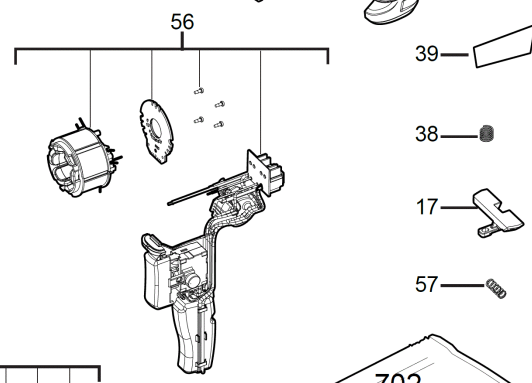
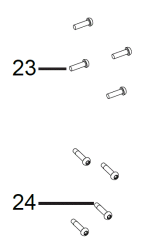
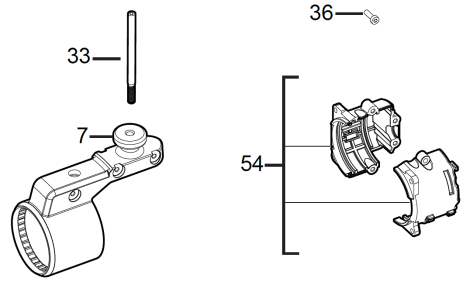
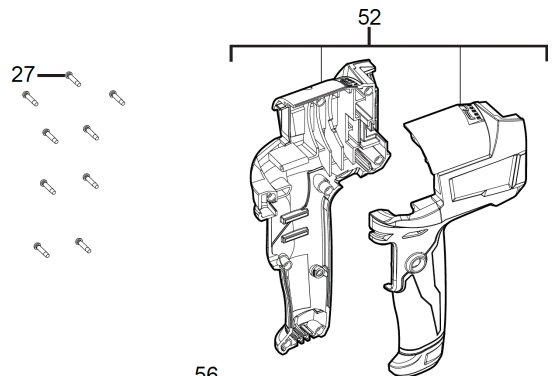
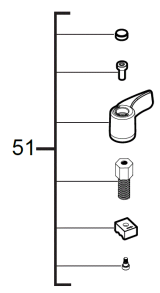
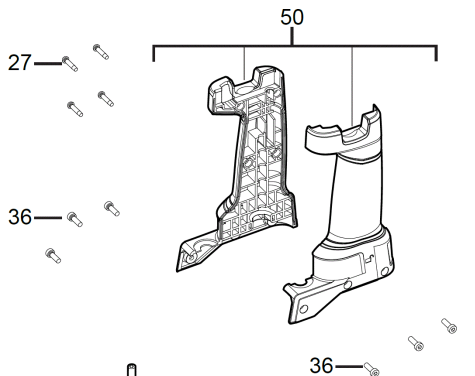


M18FPM-0X FUEL PADDLE MIXER XXX

4933459719 - M18FPM-0X - 4000458932





Position	Quantity	Description	Part number	EAN
0004	4	SCREW	4931465163	4058546232634
0005	1	VARIABLE RING	4931465164	4058546232641
0006	2	LOCKING PART	4931465165	4058546232658
0007	1	SET SLEEVE	4931465166	4058546232665
0008	4	SCREW	4931461254	4058546034269
0009	1	GEAR UNIT	4931465167	4058546232672
0016	1	BALL BEARING	4931436014	4002395875399
0017	1	LEVER	4931465168	4058546232689
0023	4	SCREW	660414013	4002395823796
0024	4	SCREW	4931461357	4058546035297
0027	13	SCREW	4931454853	4058546020279
0033	1	ROD	4931465169	4058546232696
0036	6	SCREW	4931446540	4002395876259
0038	1	PRESSURE SPRING	4931408243	4002395814466
0039	1	RATING PLATE	4931465170	4058546232702
0050	1	AUXILIARY HANDLE	4931465171	4058546232719
0051	1	LOCKING PIECE	4931465172	4058546232726
0052	1	HOUSING	4931465173	4058546232733
0054	1	MOTOR HOUSING	4931465174	4058546232740
0055	1	ARMATURE	4931465175	4058546232757
0056	1	PRINT.CURIUT SWITCH	4931465176	4058546232764
0057	1	PRESSURE SPRING	4931465177	4058546232771
0058	1	EXTENSION	4931468369	4058546291068
0701	1	HD Box 1 - 1pc	4932453385	4002395146376
0702	1	INSERT	4931465178	4058546232788