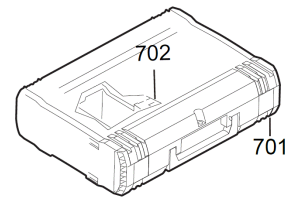
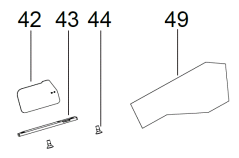
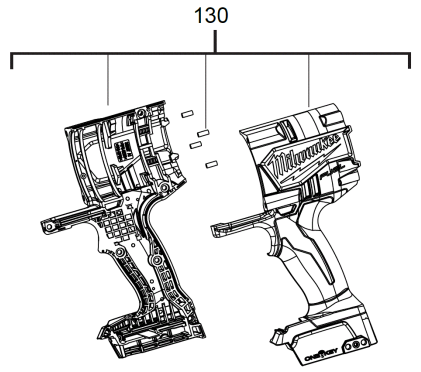
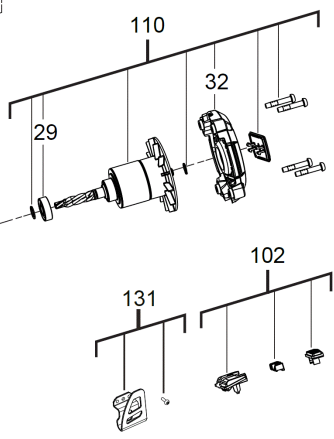
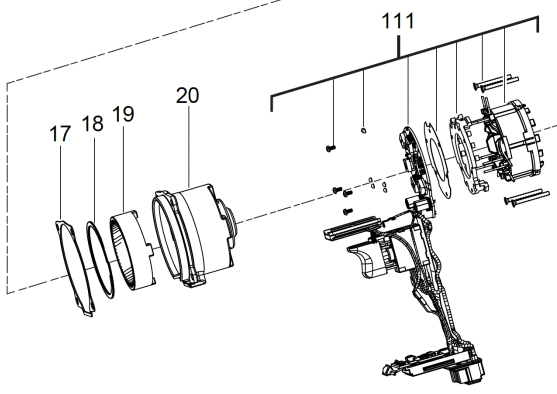
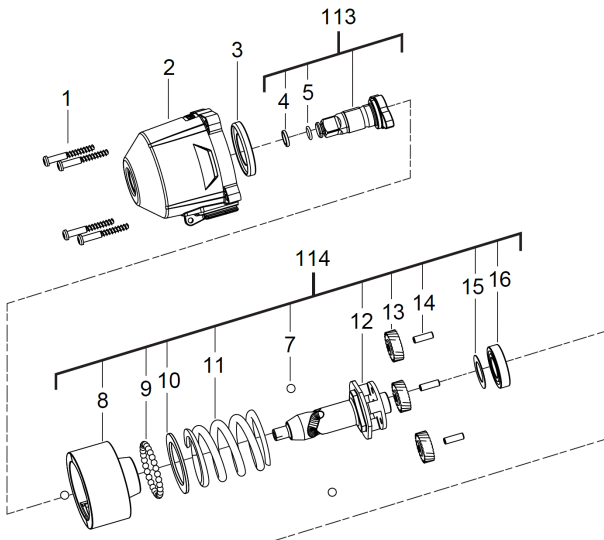


M18ONEFHIWF12-502X IMPACT WRENCH IN2

4933459727 - M18ONEFHIWF12-502X IN2 - 4000467195





Position	Quantity	Description	Part number	EAN
0001	4	SCREW	4931465309	4058546234096
0002	1	GEAR BOX	4931465374	4058546234744
0003	1	AXIAL BEAR.WASHER	4931465311	4058546234119
0004	1	CIRCLIP	4931416493	4002395898374
0005	1	O-RING	4931416492	4002395898367
0007	3	BALL	4931436148	4002395880935
0008	1	HAMMER	4931465312	4058546234126
0009	28	BALL	4931440453	4002395892020
0010	1	BEARING WASHER	4931465313	4058546234133
0011	1	SPRING	4931465314	4058546234140
0012	1	DRIVING SHAFT	4931465315	4058546234157
0013	3	PLANETARY DRIVE	4931465316	4058546234164
0014	3	PIN	671565004	4002395825028
0015	1	BEARING WASHER	4931465317	4058546234171
0016	1	BALL BEARING	681340001	4002395824021
0017	1	GASKET	4931465381	4058546234812
0018	1	HOLDING RING	4931465319	4058546234195
0019	1	WORM GEAR WHEEL	4931465320	4058546234201
0020	1	GEAR BOX HOUSING	4931465383	4058546234836
0029	1	BALL BEARING	4931465322	4058546234225
0032	1	BEARING COVER	4931465323	4058546234232
0035	2	SCREW	4931465325	4058546234256
0036	5	SCREW	4931465326	4058546234263
0040	1	SWITCH LEVER	4931465328	4058546234287
0042	1	CONTACT CASE	4931453372	4002395164141
0043	1	COVER	4931465384	4058546234843
0044	2	SCREW	4931465385	4058546234850
0049	1	RATING PLATE	4931465386	4058546234867
0102	1	SWITCH	4931465387	4058546234874
0110	1	ROTOR	4931465330	4058546234300
0111	1	SWITCH ASSEMBLY	4931465388	4058546234881
0113	1	DRIVING SHAFT	4931465332	4058546234324
0114	1	GEAR UNIT	4931465331	4058546234317
0130	1	HOUSING	4931465389	4058546234898
0131	1	CLAMP	4931436160	4002395880324
0701	1	HD Box 1 - 1pc	4932453385	4002395146376
0702	1	INSERT	4931465336	4058546234362