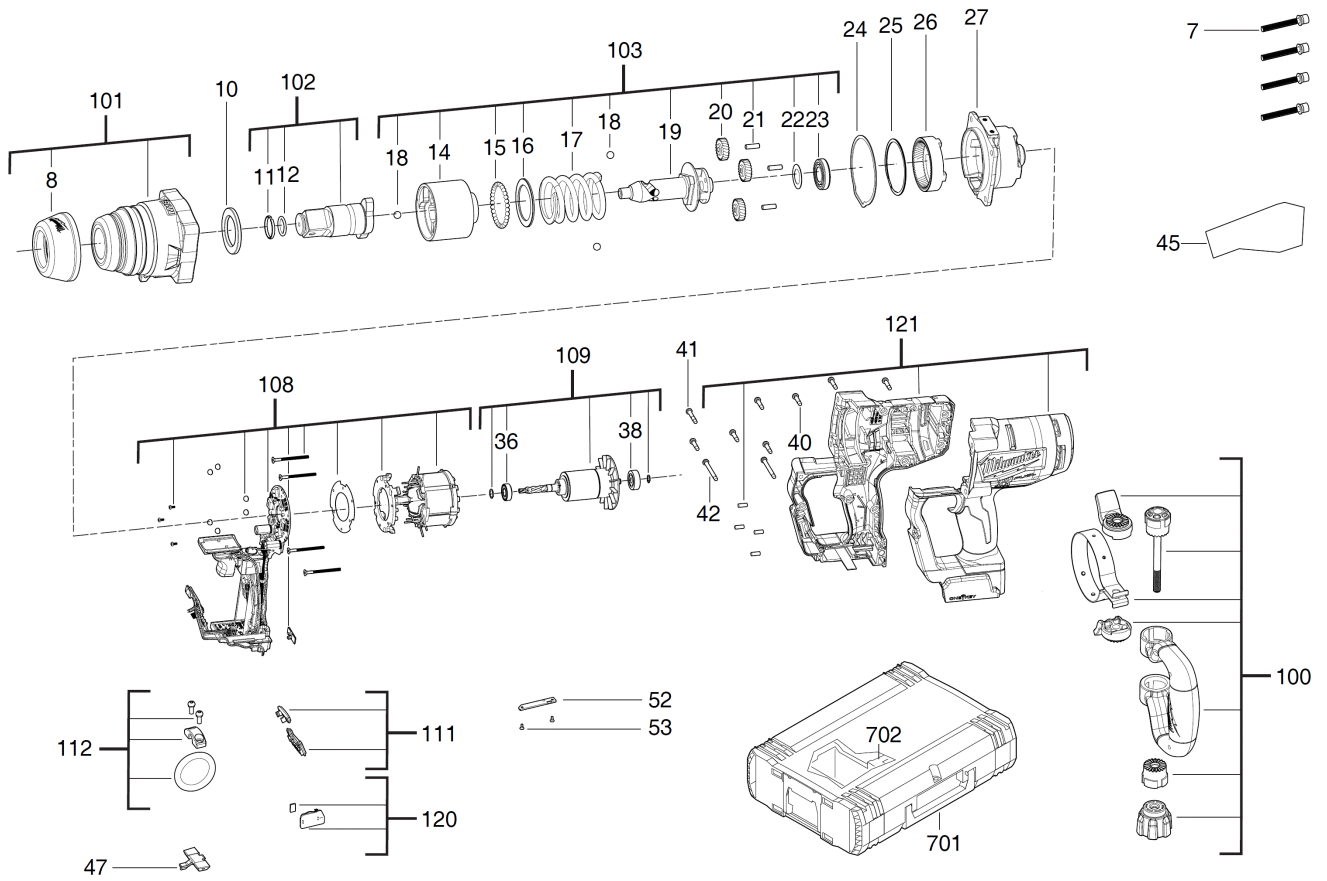


M18ONEFHIWF1-802X IMPACT WRENCH IN2

4933459733 - M18ONEFHIWF1-802X IN2 - 4000467215





Position	Quantity	Description	Part number	EAN
0007	4	SCREW	4931472107	4058546283247
0008	1	RUBBER SLEEVE	4931472108	4058546283254
0010	1	RUBBER DISC	4931472109	4058546283261
0011	1	PROTECTION WASHER	4931472110	4058546283278
0012	1	O-RING	4931472111	4058546283285
0014	1	HAMMER	4931472112	4058546283292
0015	31	BALL	4931440453	4002395892020
0016	1	WASHER	4931472113	4058546283308
0017	1	SPRING	4931472114	4058546283315
0018	3	BALL	4931472115	4058546283322
0019	1	CAM SHAFT	4931472116	4058546283339
0020	3	PLANETARY DRIVE	4931465316	4058546234164
0021	3	PIN	671565004	4002395825028
0022	1	BEARING WASHER	4931465317	4058546234171
0023	1	BALL BEARING	4931472117	4058546283346
0024	1	GASKET	4931472118	4058546283353
0025	1	HOLDING RING	4931465319	4058546234195
0026	1	WORM GEAR WHEEL	4931465320	4058546234201
0027	1	GEAR COVER	4931472119	4058546283360
0036	1	BALL BEARING	4931472120	4058546283377
0038	1	BALL BEARING	681258001	4002395823383
0040	9	SCREW	4931465326	4058546234263
0041	1	SCREW	4931465324	4058546234249
0042	2	SCREW	4931465325	4058546234256
0045	1	RATING PLATE	4931472121	4058546283384
0047	1	SLIDER	4931472122	4058546283391
0052	1	COVER	4931465384	4058546234843
0053	2	SCREW	4931465385	4058546234850
0100	1	AUXILIARY HANDLE	4931472123	4058546283407
0101	1	GEAR BOX HOUSING	4931472124	4058546283414
0102	1	ANVIL	4931472125	4058546283421
0103	1	HAMMER	4931472126	4058546283438
0108	1	ELECTRONIC	4931472127	4058546283445
0109	1	ROTOR	4931472128	4058546283452
0111	1	SWITCH	4931472129	4058546283469
0112	1	HOLDER	4931472130	4058546283476
0120	1	ELECTRONIC ELEMENT	4931472131	4058546283483
0121	1	HOUSING	4931472132	4058546283490
0701	1	HD Box 3 - 1pc	4932453386	4002395143634
0702	1	INSERT	4931472133	4058546283506