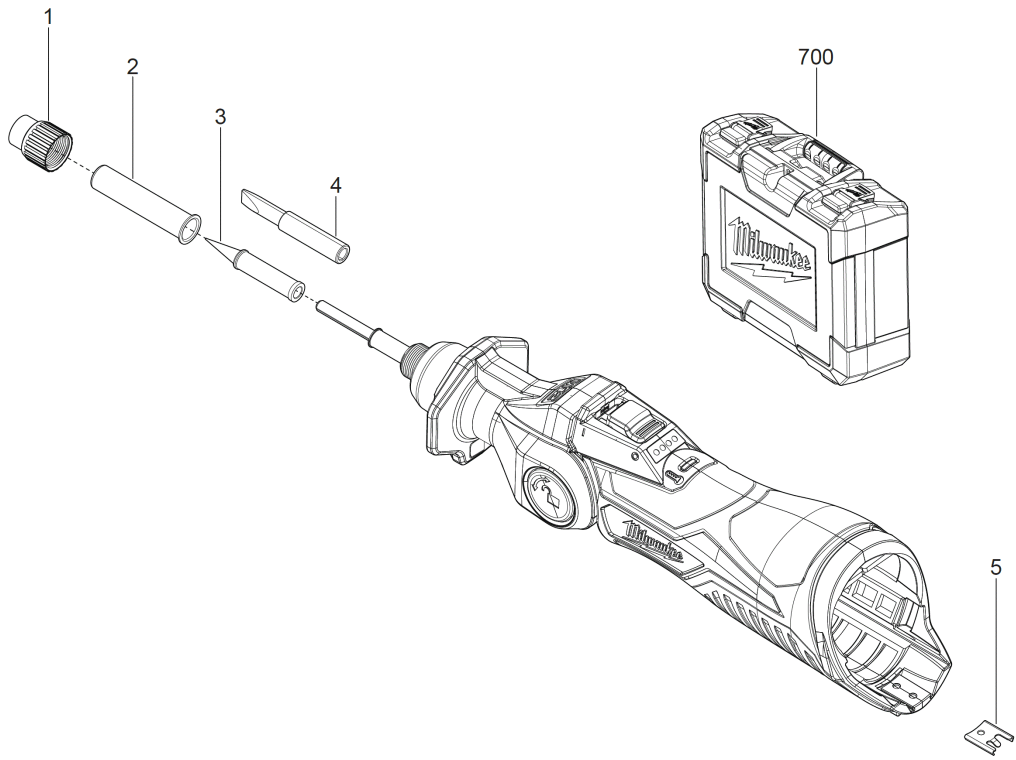


M12SI-0 SOLDERING IRON XXX

4933459760 - M12SI-0 - 4000467090





Position	Quantity	Description	Part number	EAN
0001	1	CLAMPING NUT	4931461948	4058546230487
0002	1	COLLET	4931461949	4058546230494
0003	1	PIN	4931461950	4058546230500
0004	1	PIN	4931461951	4058546230517
0005	1	CONNECTOR	4931436292	4002395252909
0700	1	CARRYING CASE	4931461952	4058546230524