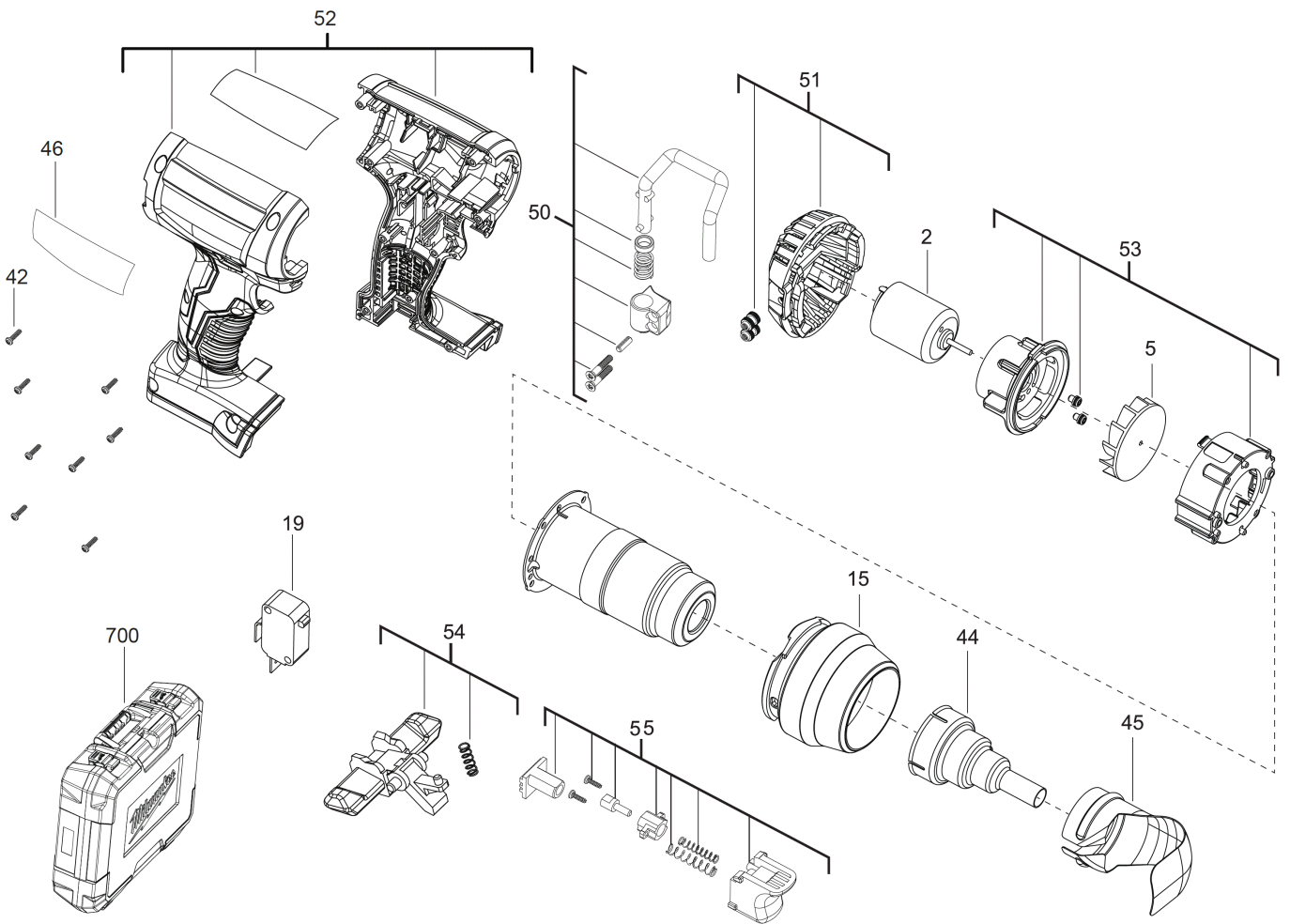


# M18BHG-502C BTY.HEATGUN IN2

4933459772 - M18BHG-502C - 4000460901





Position	Quantity	Description	Part number	EAN
	1	PART NOT DEATAILED	1000063920	
0002	1	MOTOR	4931461760	4058546039936
0005	1	FAN	4931461761	4058546039943
0015	1	BEAR. NECK W SLEEV	4931461762	4058546039950
0019	1	SWITCH	4931461763	4058546039967
0042	8	SCREW	4931461764	4058546039974
0044	1	ROUND JET NOZZLE	4931461765	4058546039981
0045	1	REFLECTOR NOZZLE	4931461766	4058546039998
0046	1	RATING PLATE	4931461767	4058546040000
0050	1	HOOK	4931461768	4058546040017
0051	1	COVER ASSY	4931461769	4058546040024
0052	1	HOUSING	4931461770	4058546040031
0053	1	MOTOR SUPPORT	4931461771	4058546040048
0054	1	LOCK BOTTON	4931461772	4058546040055
0055	1	TRIGGER	4931461773	4058546040062
0700	1	CARRYING CASE	4931461774	4058546040079
	1	M12-18C BATTERY CHARGER IN2	4932352959	4002395376179
	2	M18B5 LI-ION BATTERY PACK 5.0AH XXX	4932430483	4002395381449