

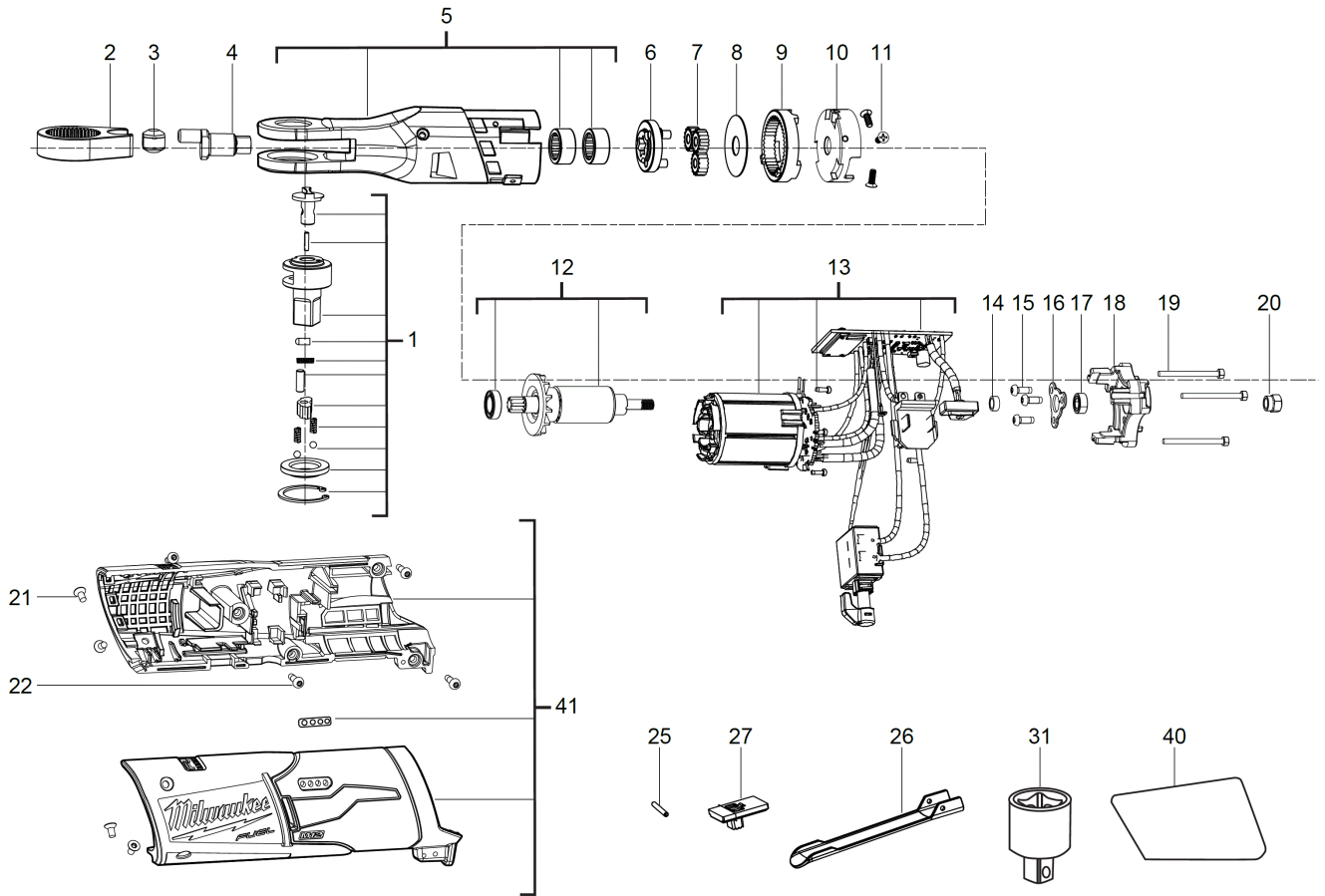
M12FIR38-201B FUEL RATCHET 3/8 IN2

4933459798 - M12FIR38-201B - 4000460721









| Position | Quantity | Description | Part number | EAN |
|----------|----------|-------------------------------------|-------------|---------------|
| 0001 | 1 | DRIVE | 4931465302 | 4058546234027 |
| 0002 | 1 | ROCKER BAR | 4931465267 | 4058546233679 |
| 0003 | 1 | BUSH | 4931465268 | 4058546233686 |
| 0004 | 1 | DRIVING SHAFT | 4931465269 | 4058546233693 |
| 0005 | 1 | HOUSING | 4931465303 | 4058546234034 |
| 0006 | 1 | DRIVING PLATE | 4931465271 | 4058546233716 |
| 0007 | 3 | PLANET GEAR | 4931465272 | 4058546233723 |
| 0008 | 1 | WASHER | 4931465273 | 4058546233730 |
| 0009 | 1 | WORM GEAR WHEEL | 4931465274 | 4058546233747 |
| 0010 | 1 | MOTOR SUPPORT | 4931465275 | 4058546233754 |
| 0011 | 3 | SCREW | 4931435259 | 4002395897469 |
| 0012 | 1 | ARMATURE | 4931465304 | 4058546234041 |
| 0013 | 1 | ELECT.CIRCUIT BOARD | 4931465299 | 4058546233990 |
| 0014 | 1 | BUSH | 4931465278 | 4058546233785 |
| 0015 | 3 | SCREW | 4931465279 | 4058546233792 |
| 0016 | 1 | BEARING END PLATE | 4931465280 | 4058546233808 |
| 0017 | 1 | BEARING | 4931465281 | 4058546233815 |
| 0018 | 1 | MOTOR PLATE | 4931465282 | 4058546233822 |
| 0019 | 3 | SCREW | 4931465283 | 4058546233839 |
| 0020 | 1 | NUT | 4931465284 | 4058546233846 |
| 0021 | 4 | SCREW | 4931465285 | 4058546233853 |
| 0022 | 4 | SCREW | 660230016 | 4002395849840 |
| 0025 | 1 | PIN | 4931435254 | 4002395897414 |
| 0026 | 1 | TRIGGER | 4931435253 | 4002395897407 |
| 0027 | 1 | LOCK RELEASE KIT | 4931465286 | 4058546233860 |
| 0031 | 1 | ADAPTER | 4931465305 | 4058546234058 |
| 0040 | 1 | RATING PLATE | 4931465306 | 4058546234065 |
| 0041 | 1 | HANDLE SET | 4931465289 | 4058546233891 |
| | 1 | M12-18C BATTERY CHARGER IN2 | 4932352959 | 4002395376179 |
| | 1 | M12B2 LI-ION BATTERY PACK 2.0AH XXX | 4932430064 | 4002395377251 |