

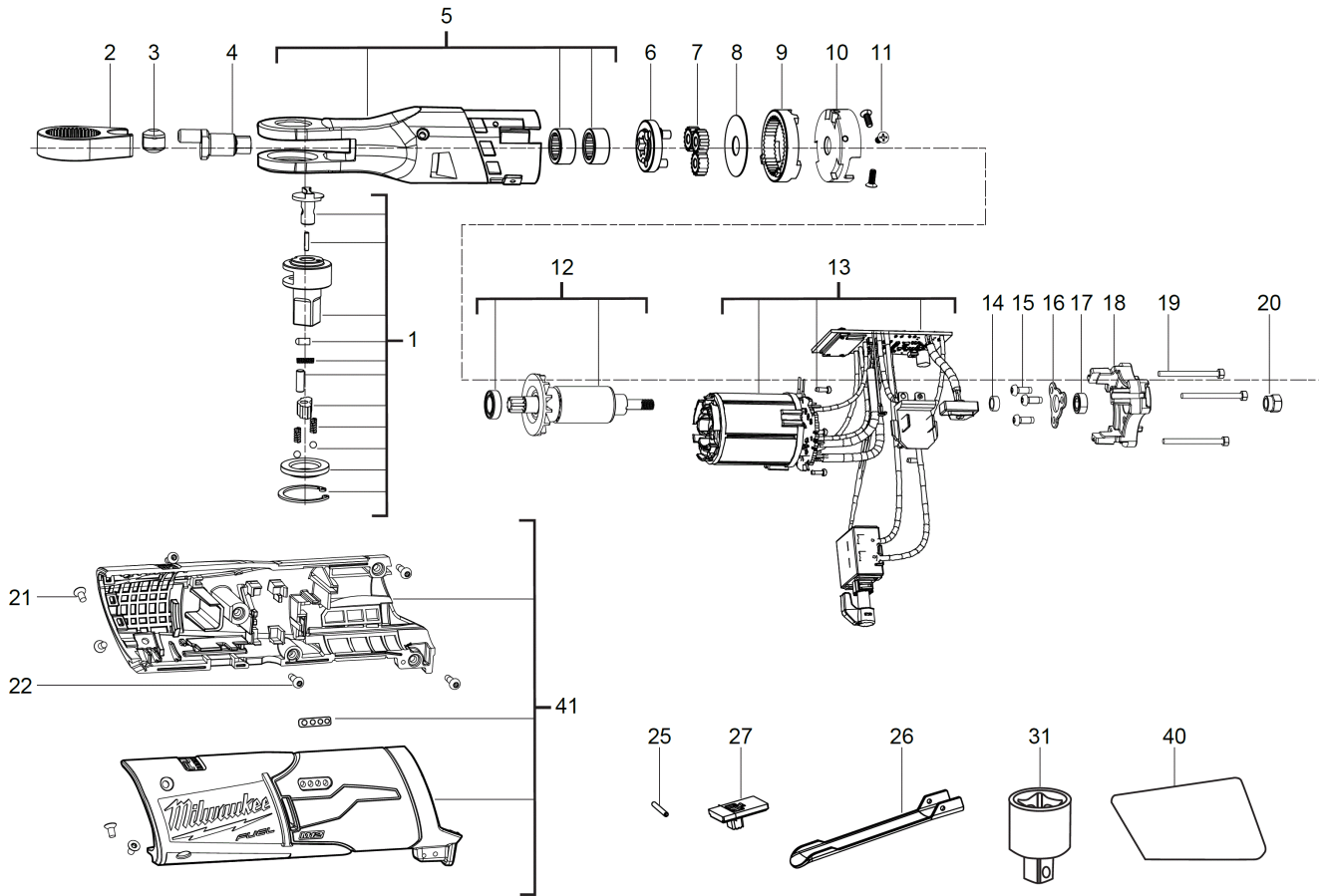
# M12FIR12-0 FUEL RATCHET 1/2 XXX

4933459800 - M12FIR12-0 - 4000460731









| Position | Quantity | Description         | Part number | EAN           |
|----------|----------|---------------------|-------------|---------------|
| 0001     | 1        | DRIVE               | 4931465266  | 4058546233662 |
| 0002     | 1        | ROCKER BAR          | 4931465267  | 4058546233679 |
| 0003     | 1        | BUSH                | 4931465268  | 4058546233686 |
| 0004     | 1        | DRIVING SHAFT       | 4931465269  | 4058546233693 |
| 0005     | 1        | HOUSING             | 4931465270  | 4058546233709 |
| 0006     | 1        | DRIVING PLATE       | 4931465271  | 4058546233716 |
| 0007     | 3        | PLANET GEAR         | 4931465272  | 4058546233723 |
| 0008     | 1        | WASHER              | 4931465273  | 4058546233730 |
| 0009     | 1        | WORM GEAR WHEEL     | 4931465274  | 4058546233747 |
| 0010     | 1        | MOTOR SUPPORT       | 4931465275  | 4058546233754 |
| 0011     | 3        | SCREW               | 4931435259  | 4002395897469 |
| 0012     | 1        | ARMATURE            | 4931465276  | 4058546233761 |
| 0013     | 1        | ELECT.CIRCUIT BOARD | 4931465277  | 4058546233778 |
| 0014     | 1        | BUSH                | 4931465278  | 4058546233785 |
| 0015     | 3        | SCREW               | 4931465279  | 4058546233792 |
| 0016     | 1        | BEARING END PLATE   | 4931465280  | 4058546233808 |
| 0017     | 1        | BEARING             | 4931465281  | 4058546233815 |
| 0018     | 1        | MOTOR PLATE         | 4931465282  | 4058546233822 |
| 0019     | 3        | SCREW               | 4931465283  | 4058546233839 |
| 0020     | 1        | NUT                 | 4931465284  | 4058546233846 |
| 0021     | 4        | SCREW               | 4931465285  | 4058546233853 |
| 0022     | 4        | SCREW               | 660230016   | 4002395849840 |
| 0025     | 1        | PIN                 | 4931435254  | 4002395897414 |
| 0026     | 1        | TRIGGER             | 4931435253  | 4002395897407 |
| 0027     | 1        | LOCK RELEASE KIT    | 4931465286  | 4058546233860 |
| 0031     | 1        | ADAPTER             | 4931465287  | 4058546233877 |
| 0040     | 1        | RATING PLATE        | 4931465288  | 4058546233884 |
| 0041     | 1        | HANDLE SET          | 4931465289  | 4058546233891 |