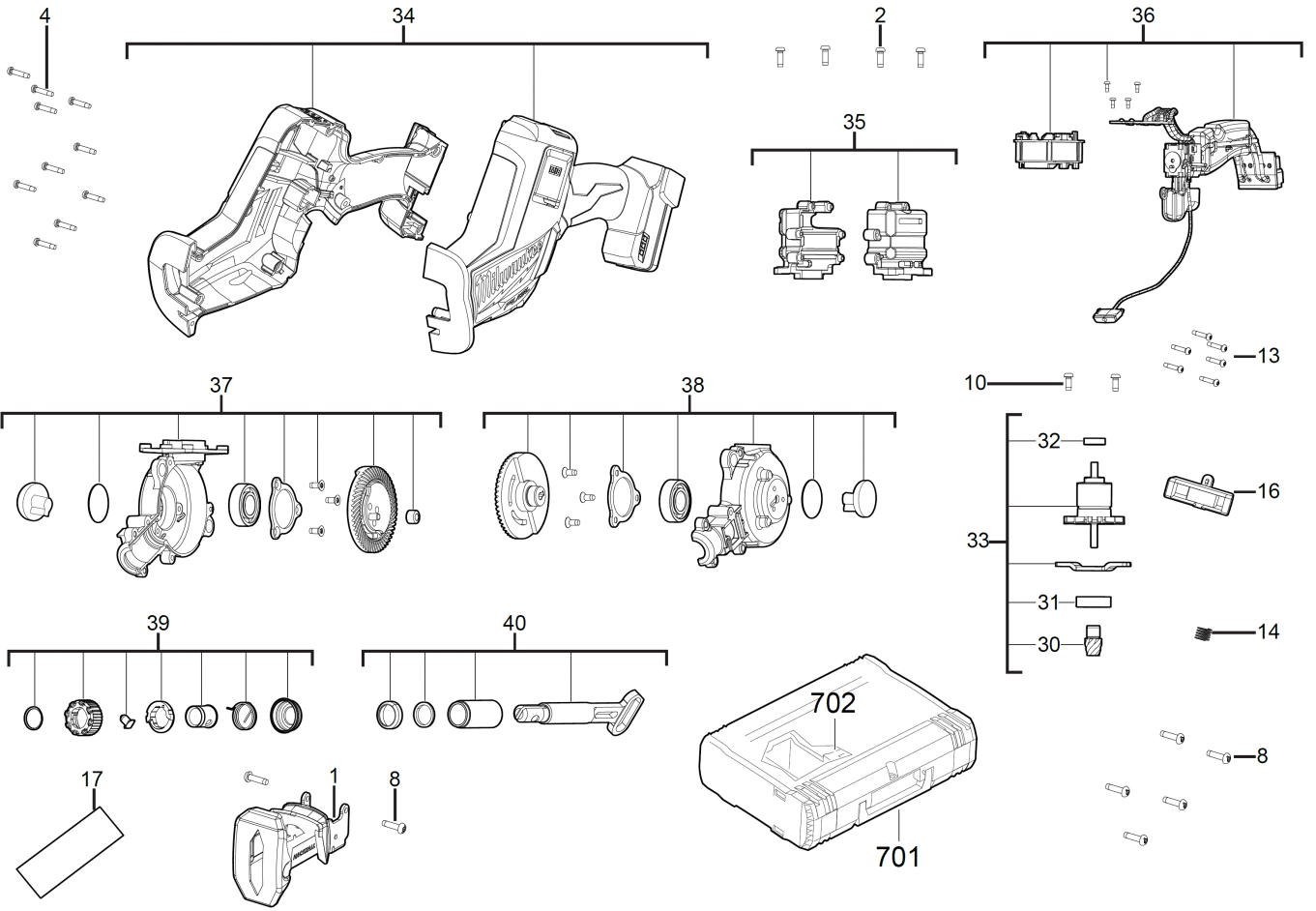


M18FHZ-502X M18 FUEL HACKZALL IN2

4933459885 - M18FHZ-502X - 4000460670





Position	Quantity	Description	Part number	EAN
	1	PART NOT DEATAILED	1000063920	
0001	1	DISTANCE HOLDER	4931465208	4058546233082
0002	4	SCREW	660165011	4002395903702
0004	10	SCREW	660031017	4002395825189
0008	7	SCREW	661113008	4002395830077
0010	2	SCREW	660165015	4002395849826
0013	6	SCREW	4931436225	4002395882373
0014	1	PRESSURE SPRING	4931408243	4002395814466
0016	1	SWITCH LEVER	4931465209	4058546233099
0017	1	RATING PLATE	4931465210	4058546233105
0030	1	BEVEL GEAR	4931465211	4058546233112
0031	1	BALL BEARING	4931465212	4058546233129
0032	1	BALL BEARING	681286001	4002395824014
0033	1	MOTOR ASSEMBLY	4931465213	4058546233136
0034	1	HOUSING	4931465214	4058546233143
0035	1	HOUSING SET ASSY	4931465215	4058546233150
0036	1	ELECTRONIC SWITCH	4931465216	4058546233167
0037	1	GEAR BOX HOUSING	4931465217	4058546233174
0038	1	GEAR BOX HOUSING	4931465218	4058546233181
0039	1	INTERLOCK ELEMENT	14461011	4058546069568
0040	1	RAM SET	4931465220	4058546233204
0701	1	HD Box 1 - 1pc	4932453385	4002395146376
0702	1	INSERT	4931465221	4058546233211
	1	M12-18C BATTERY CHARGER IN2	4932352959	4002395376179
	2	M18B5 LI-ION BATTERY PACK 5.0AH XXX	4932430483	4002395381449