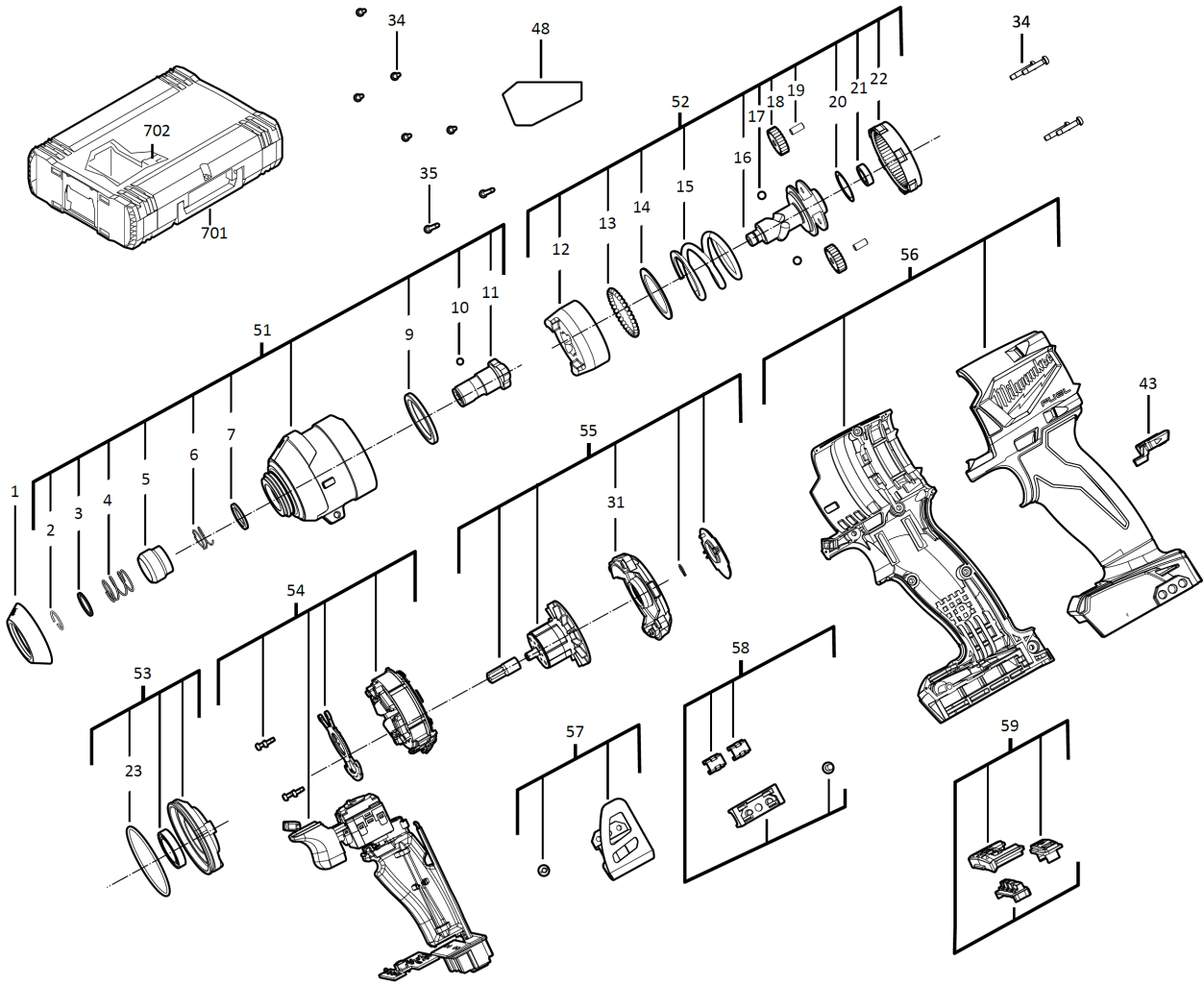


M18FID2-502X FUEL IMPACT DRIVER IN2

4933464088 - M18FID2-502X - 4000467775







Position	Quantity	Description	Part number	EAN
0001	1	RUBBER CAP	4931465809	4058546239091
0002	1	HOLDING RING	4931436098	4002395879908
0003	1	WASHER	4931436099	4002395879915
0004	1	SPRING	4931436084	4002395878567
0005	1	SLEEVE	4931453234	4002395153275
0006	1	SPRING	4931453235	4002395153282
0007	1	WASHER	4931465810	4058546239107
0009	1	WASHER	4931435372	4002395892082
0010	1	BALL	4931453236	4002395153299
0011	1	ANVIL	4931465811	4058546239114
0012	1	PERCUSSION BODY	4931465812	4058546239121
0013	33	BALL	4931465813	4058546239138
0014	1	WASHER	4931465814	4058546239145
0015	1	SPRING	4931465815	4058546239152
0016	1	CAM SHAFT	4931465816	4058546239169
0017	2	BALL	4931440453	4002395892020
0018	2	PLANET GEAR	4931465817	4058546239176
0019	2	PIN	4931465818	4058546239183
0020	1	WASHER	4931452053	4002395180189
0021	1	BALL BEARING	4931465819	4058546239190
0022	1	INTERN.GEARED WHEEL	4931465820	4058546239206
0023	1	O-RING	4931465821	4058546239213
0031	1	HOUSING CAP	4931465822	4058546239220
0034	9	SCREW	4931465499	4058546235994
0035	2	SCREW	4931454852	4058546020262
0043	1	SLIDER	4931465823	4058546239237
0048	1	RATING PLATE	4931465824	4058546239244
0051	1	GEAR BOX ASSY	4931465825	4058546239251
0052	1	GEAR BOX	4931465826	4058546239268
0053	1	CAP	4931465827	4058546239275
0054	1	ELECTRIC COMPLETE	4931465828	4058546239282
0055	1	ARMATURE	4931465829	4058546239299
0056	1	HOUSING	4931465830	4058546239305
0057	1	BELT CLIP	4931465831	4058546239312
0058	1	BIT HOLDER	4931465832	4058546239329
0059	1	SWITCH	4931465833	4058546239336
0702	1	INSERT	4931465834	4058546239343
0701	1	HD Box 1 - 1pc	4932453385	4002395146376