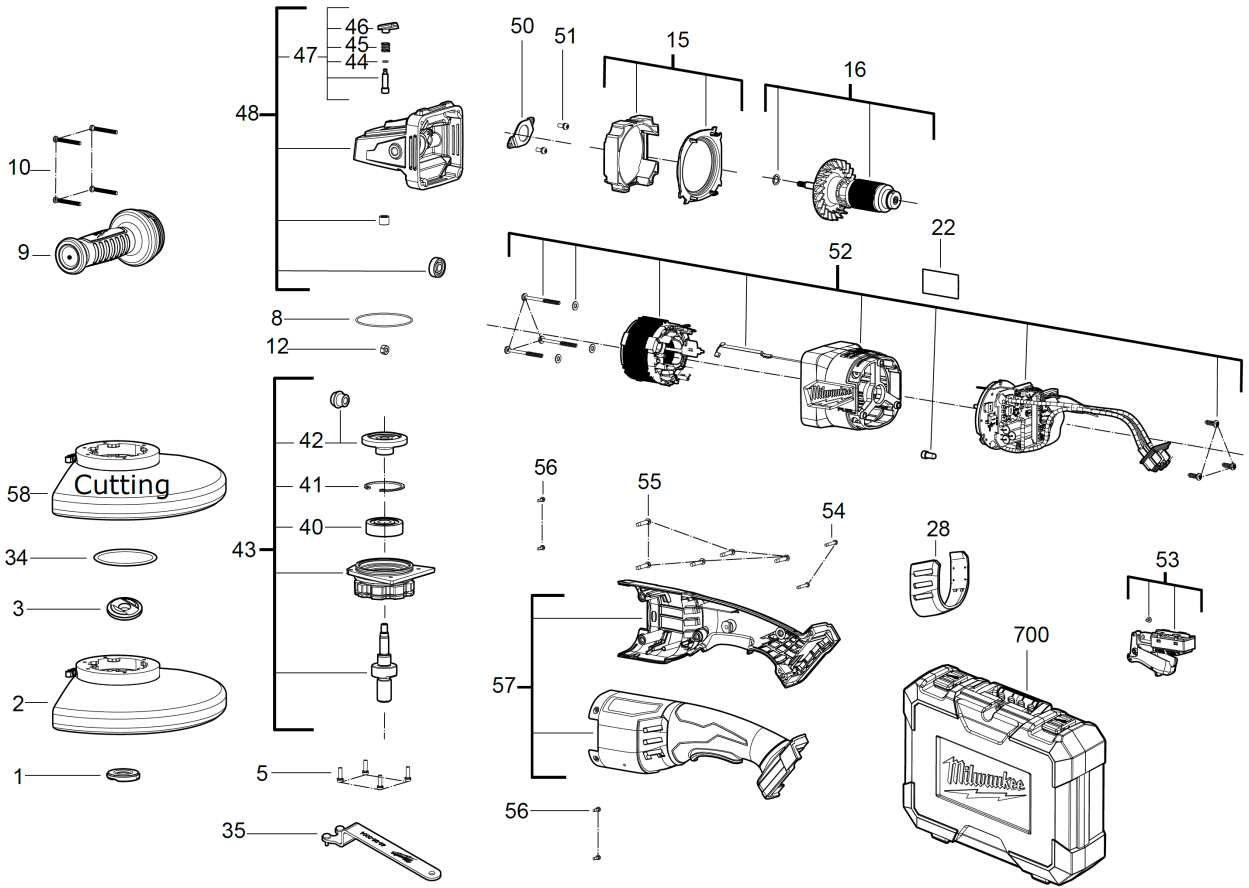


# M18FLAG230XPDB-121C ANGLE GRINDER IN2

4933464115 - M18FLAG230XPDB-121C IN2 - 4000467890





Position	Quantity	Description	Part number	EAN
0001	1	FIXTEC NUT	4931466273	4058546274900
0002	1	GUARD	4931465862	4058546239626
0003	1	FLANGE	4931465842	4058546239428
0005	4	SCREW	4931465843	4058546239435
0008	1	O-RING	4931465844	4058546239442
0009	1	AUXILIARY HANDLE	4931435002	4002395855919
0010	4	SCREW	4931461254	4058546034269
0012	1	NUT	671686001	4002395824526
0015	1	FRAME	4931465845	4058546239459
0016	1	ARMATURE ASSEMBLY	4931465846	4058546239466
0022	1	RATING PLATE	4931465863	4058546239633
0028	1	DUST FILTER	4931465848	4058546239480
0034	1	O-RING	4931465849	4058546239497
0035	1	WRENCH	4931466274	4058546274917
0040	1	BALL BEARING	4931465850	4058546239503
0041	1	CLAMPING RING	4931465851	4058546239510
0042	1	BEVEL GEAR PAIR	4931465852	4058546239527
0043	1	DRIVE	4931465853	4058546239534
0044	1	O-RING	4931435006	4002395855957
0045	1	SPRING	4931435005	4002395855940
0046	1	TRIGGER	4931435004	4002395855933
0047	1	SPINDLE LOCK	4931465854	4058546239541
0048	1	GEAR BOX ASSY	4931465855	4058546239558
0050	1	RETAINER	4931435039	4002395860364
0051	2	SCREW	4931465856	4058546239565
0052	1	ELECTRONIC	4931465857	4058546239572
0053	1	SWITCH	4931465858	4058546239589
0054	2	SCREW	660230017	4002395839742
0055	5	SCREW	4931453124	4002395152780
0056	4	SCREW	513100000	
0057	1	HOUSING	4931465859	4058546239596
0058	1	CUTTING GUARD	4931428099	4002395896837
0700	1	CARRYING CASE	4931465861	4058546239619