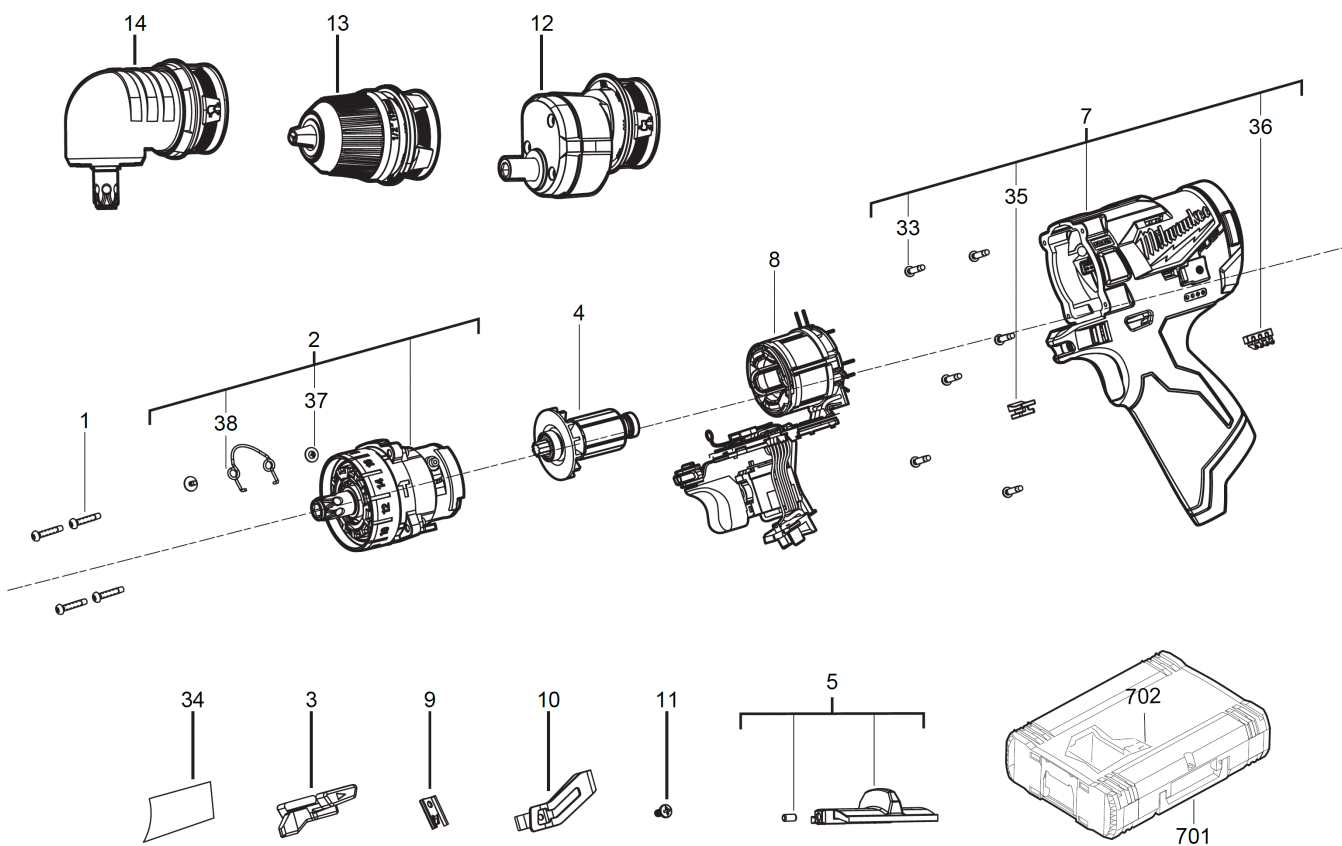


M12FPDX-202X FUEL HAMMER DRILL IN2

4933464136 - M12FPDX-202X IN2 - 4000467325





| Position | Quantity | Description | Part number | EAN |
|----------|----------|---|-------------|---------------|
| 0001 | 4 | SCREW | 4931465499 | 4058546235994 |
| 0002 | 1 | GEAR UNIT | 4931465618 | 4058546237189 |
| 0003 | 1 | SWITCH LEVER | 4931465503 | 4058546236038 |
| 0004 | 1 | ARMATURE | 4931465619 | 4058546237196 |
| 0005 | 1 | SWITCH LEVER | 4931465620 | 4058546237202 |
| 0007 | 1 | HOUSING | 4931465621 | 4058546237219 |
| 0008 | 1 | ELECTRONIC | 4931466272 | 4058546274894 |
| 0009 | 1 | CONNECTOR | 4931436292 | 4002395252909 |
| 0010 | 1 | HOLDER | 4931465507 | 4058546236076 |
| 0011 | 1 | SCREW | 4931465506 | 4058546236069 |
| 0033 | 6 | SCREW | 660570005 | 4002395827329 |
| 0034 | 1 | RATING PLATE | 4931465623 | 4058546237233 |
| 0035 | 1 | CLAMPING PIECE | 4931465510 | 4058546236106 |
| 0036 | 1 | LIGHT PIPE | 4931465511 | 4058546236113 |
| 0037 | 2 | SCREW | 661262001 | 4002395839858 |
| 0038 | 1 | RACKING LEVER | 4931465508 | 4058546236083 |
| 0701 | 1 | HD BOX 1 (FUEL) | 4931453385 | 4002395147137 |
| 0702 | 1 | INSERT | 4931465512 | 4058546236120 |
| 0012 | 1 | M12FPDX-OA OFFSET ATTACH. 1/4 HEX | 4932464481 | 4058546224264 |
| 0013 | 1 | M12FPDX-CK CHUCK 13XX M12FPDX | 4932464479 | 4058546224240 |
| 0014 | 1 | M12FPDX-RAA RIGHT ANGLE ATTACH. M12FPDX | 4932464480 | 4058546224257 |