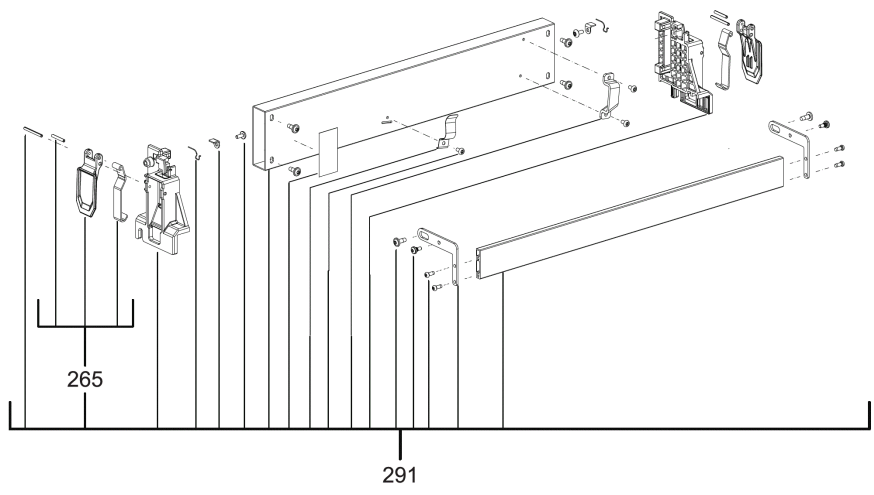
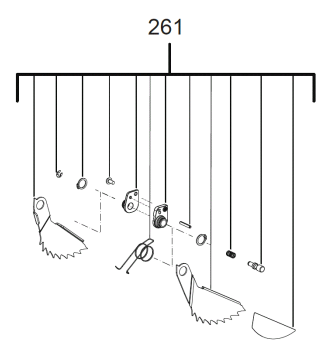
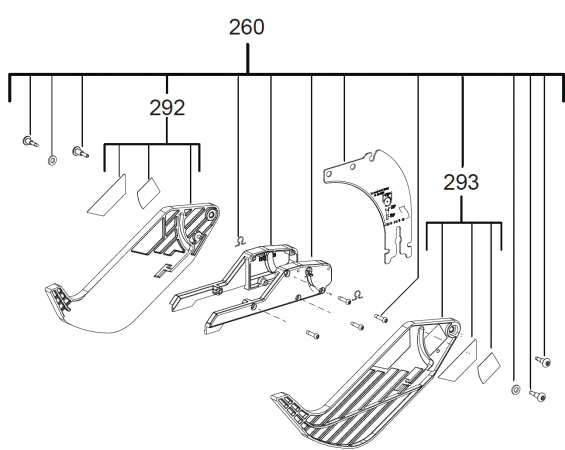
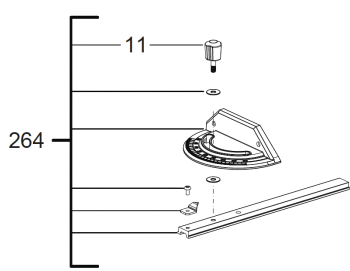
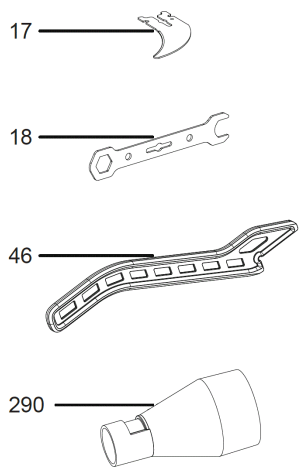
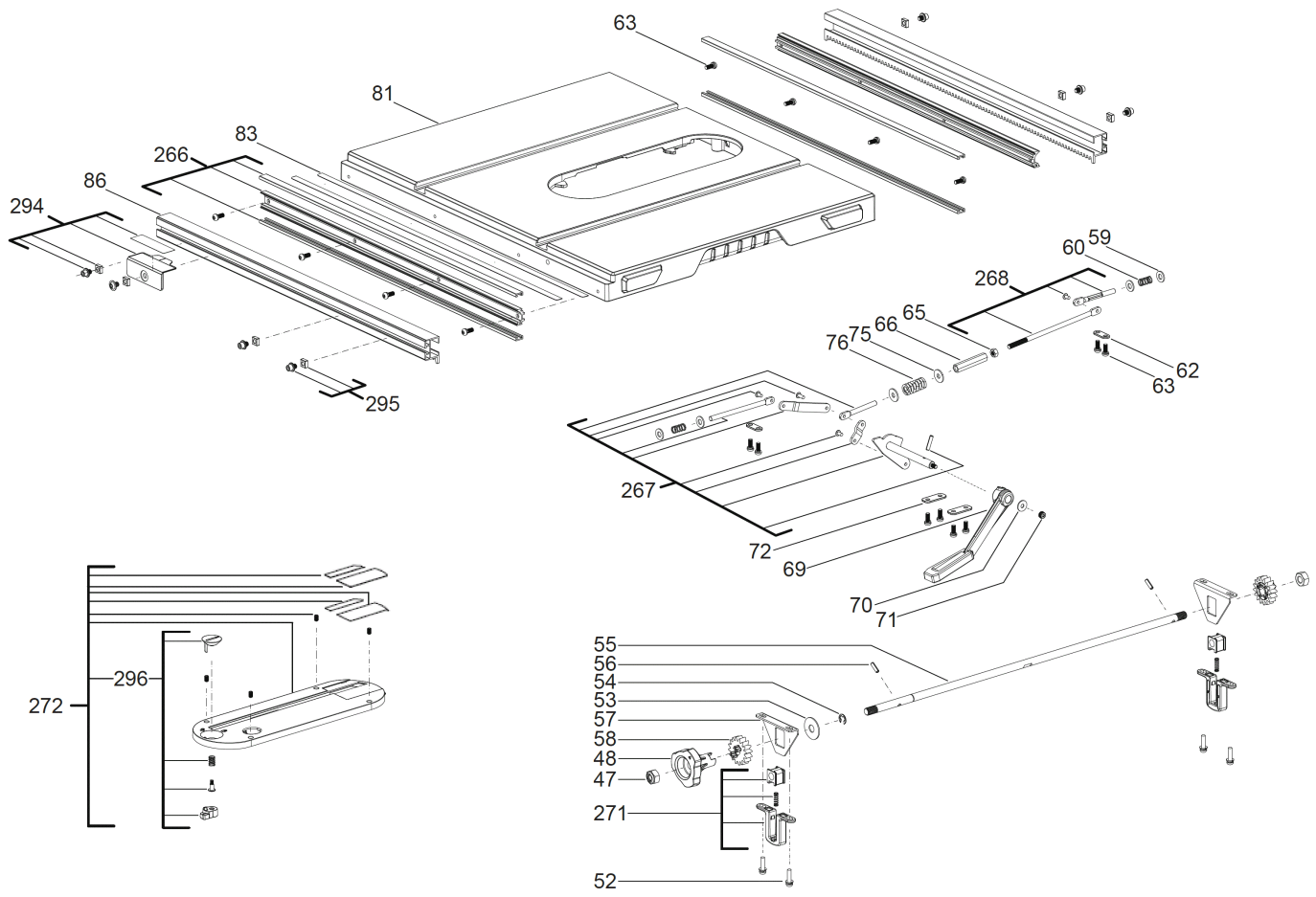


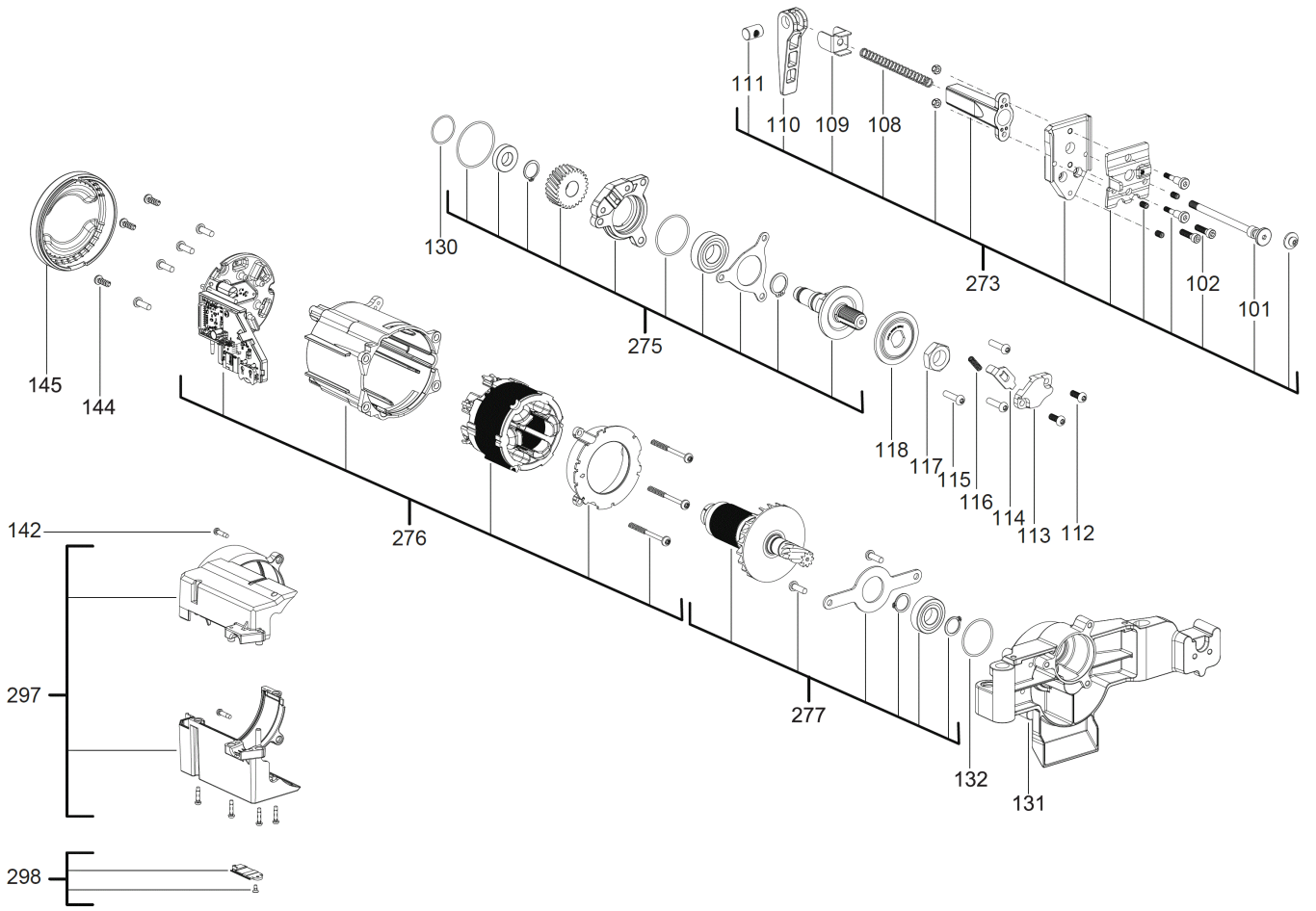
# M18FSTS210-121B BTY.TABLE SAW IN2

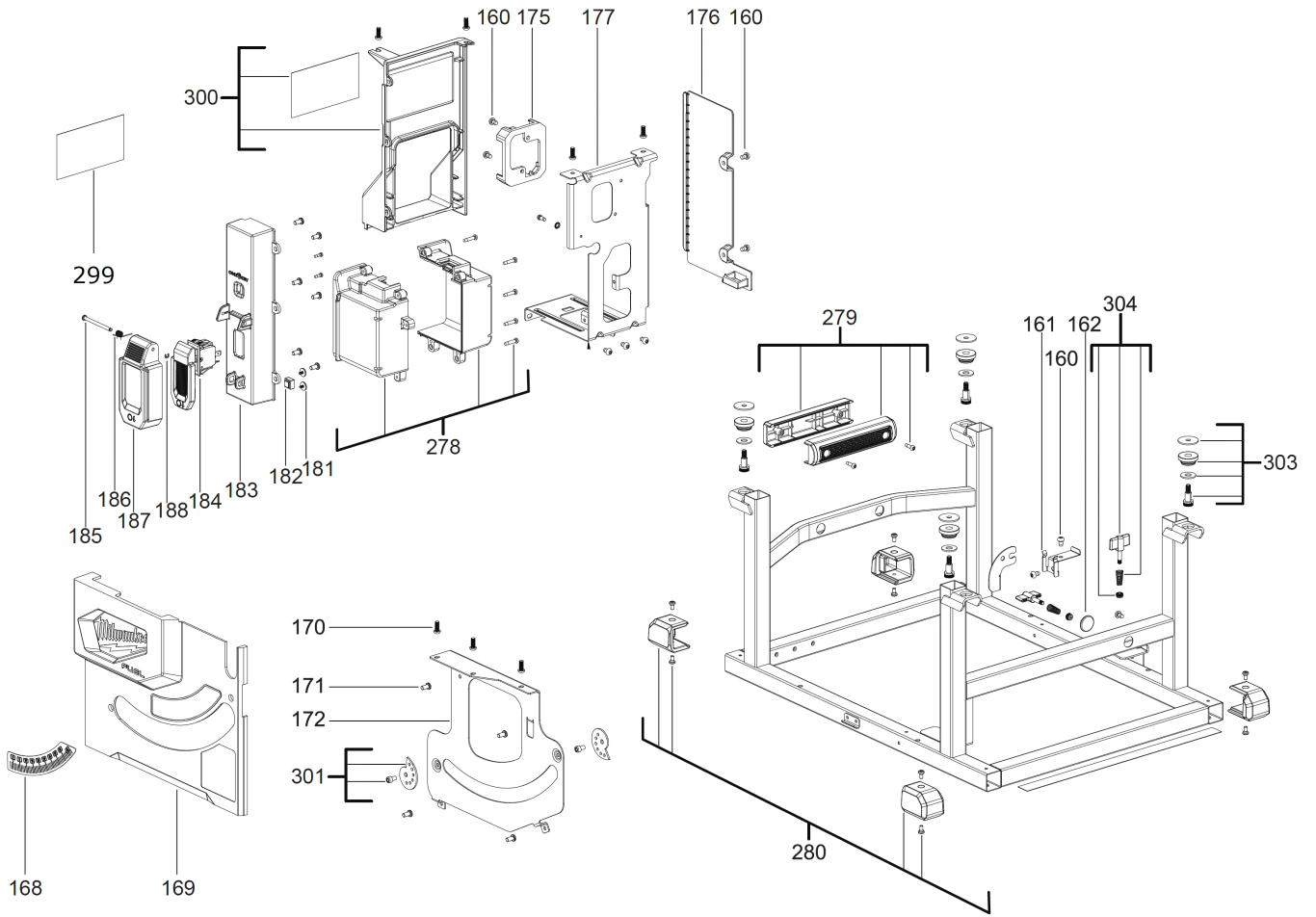
4933464225 - M18FSTS210-121B - 4000460960

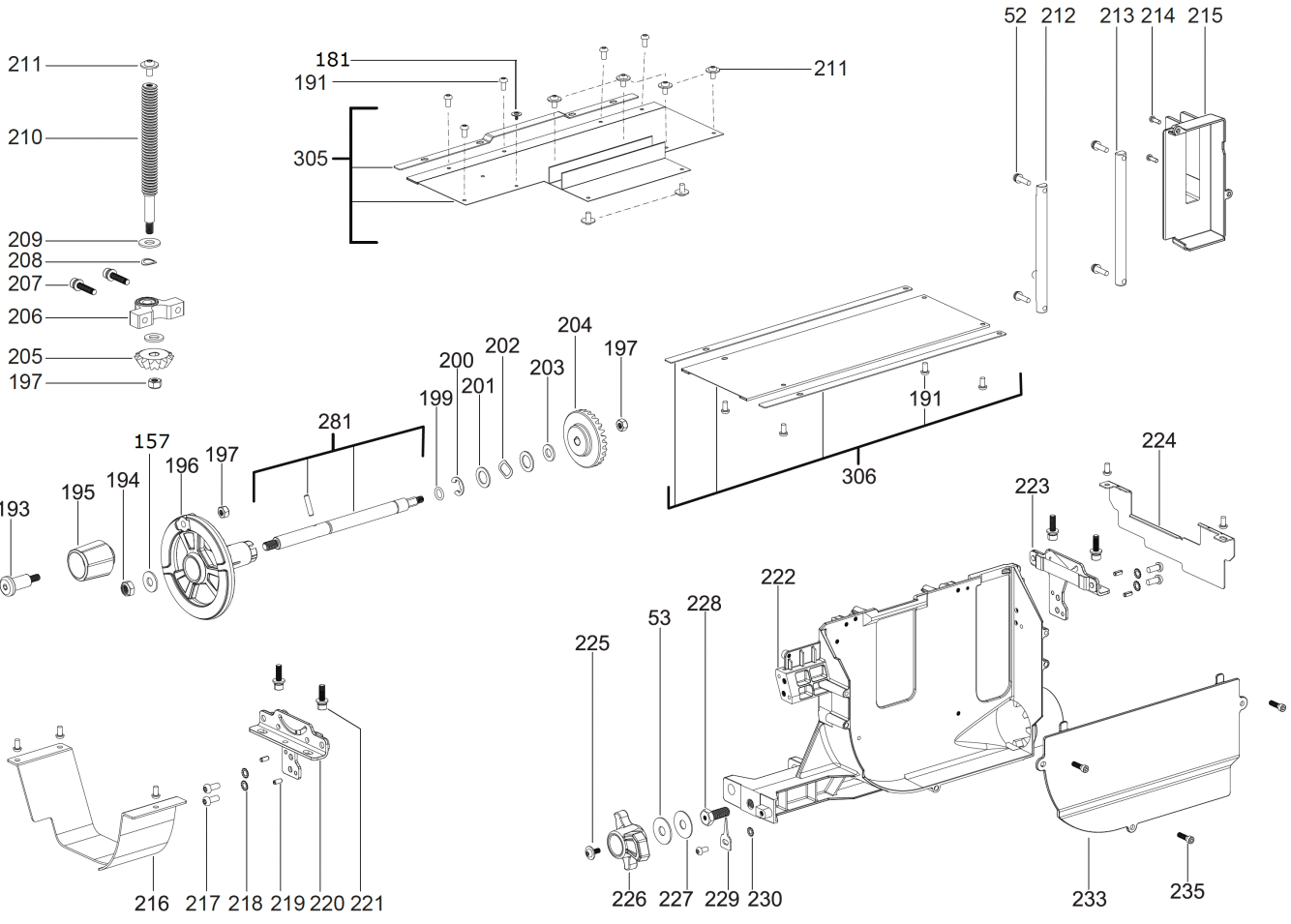












| Position | Quantity | Description         | Part number | EAN           |
|----------|----------|---------------------|-------------|---------------|
| 0011     | 1        | KNOB                | 4931466006  | 4058546272234 |
| 0017     | 1        | SPLITTING WEDGE     | 4931466007  | 4058546272241 |
| 0018     | 1        | ALLEN KEY           | 4931466008  | 4058546272258 |
| 0046     | 1        | HOLDING-DOWN DEVICE | 4931466009  | 4058546272265 |
| 0047     | 2        | NUT                 | 4931466010  | 4058546272272 |
| 0048     | 1        | KNOB                | 4931466011  | 4058546272289 |
| 0052     | 8        | SCREW               | 4931466012  | 4058546272296 |
| 0053     | 2        | WASHER              | 4931466013  | 4058546272302 |
| 0054     | 1        | PROTECTION WASHER   | 4931466014  | 4058546272319 |
| 0055     | 1        | SHAFT               | 4931466015  | 4058546272326 |
| 0056     | 2        | SPRING              | 4931466016  | 4058546272333 |
| 0057     | 2        | BRACKET             | 4931466017  | 4058546272340 |
| 0058     | 2        | PINION              | 4931466018  | 4058546272357 |
| 0059     | 4        | WASHER              | 4931466019  | 4058546272364 |
| 0060     | 2        | SPRING              | 4931466020  | 4058546272371 |
| 0062     | 2        | FISH-PLATE          | 4931466021  | 4058546272388 |
| 0063     | 16       | SCREW               | 4931466022  | 4058546272395 |
| 0065     | 1        | NUT                 | 4931466023  | 4058546272401 |
| 0066     | 1        | NUT                 | 4931466024  | 4058546272418 |
| 0069     | 1        | CLAMPING LEVER      | 4931466025  | 4058546272425 |
| 0070     | 1        | WASHER              | 4931466026  | 4058546272432 |
| 0071     | 3        | NUT                 | 4931466027  | 4058546272449 |
| 0072     | 2        | FISH-PLATE          | 4931466028  | 4058546272456 |
| 0075     | 2        | WASHER              | 4931466029  | 4058546272463 |
| 0076     | 1        | SPRING              | 4931466030  | 4058546272470 |
| 0081     | 1        | TABLE               | 4931466031  | 4058546272487 |
| 0083     | 1        | SETTING GAUGE       | 4931466032  | 4058546272494 |
| 0086     | 2        | SWITCH MAGNETIC     | 4931466033  | 4058546272500 |
| 0101     | 1        | FASTENING BOLT      | 4931466034  | 4058546272517 |
| 0102     | 2        | SCREW               | 4931466035  | 4058546272524 |
| 0108     | 1        | SPRING              | 4931466036  | 4058546272531 |
| 0109     | 1        | WASHER              | 4931466037  | 4058546272548 |
| 0110     | 1        | CLAMPING LEVER      | 4931466038  | 4058546272555 |
| 0111     | 1        | SHAFT               | 4931466039  | 4058546272562 |
| 0112     | 2        | SCREW               | 4931466040  | 4058546272579 |
| 0113     | 1        | CAP                 | 4931466041  | 4058546272586 |
| 0114     | 1        | PRESSURE PLATE      | 4931466042  | 4058546272593 |
| 0115     | 3        | SCREW               | 4931466043  | 4058546272609 |
| 0116     | 1        | SPRING              | 4931466044  | 4058546272616 |
| 0117     | 1        | NUT                 | 4931466045  | 4058546272623 |
| 0118     | 1        | WASHER              | 4931466046  | 4058546272630 |
| 0130     | 1        | O-RING              | 4931466047  | 4058546272647 |
| 0131     | 1        | GEAR CASE           | 4931466048  | 4058546272654 |
| 0132     | 1        | O-RING              | 4931466049  | 4058546272661 |
| 0142     | 6        | SCREW               | 4931466050  | 4058546272678 |
| 0144     | 3        | SCREW               | 4931466051  | 4058546272685 |
| 0145     | 1        | MOTOR COVER         | 4931466052  | 4058546272692 |
| 0157     | 1        | WASHER              | 4931466053  | 4058546272708 |
| 0160     | 10       | SCREW               | 4931466054  | 4058546272715 |
| 0161     | 1        | CLAMP               | 4931466055  | 4058546272722 |

| Position | Quantité | Désignation       | Référence  | EAN           |
|----------|----------|-------------------|------------|---------------|
| 0162     | 1        | PLUG              | 4931466056 | 4058546272739 |
| 0168     | 1        | SETTING GAUGE     | 4931466057 | 4058546272746 |
| 0169     | 1        | COVER             | 4931466141 | 4058546273583 |
| 0170     | 7        | SCREW             | 4931466058 | 4058546272753 |
| 0171     | 10       | SCREW             | 4931466059 | 4058546272760 |
| 0172     | 1        | COVER PLATE       | 4931466060 | 4058546272777 |
| 0175     | 1        | COVER             | 4931466061 | 4058546272784 |
| 0176     | 1        | COVER             | 4931466062 | 4058546272791 |
| 0177     | 1        | CONNECTION PLATE  | 4931466063 | 4058546272807 |
| 0181     | 3        | SCREW             | 4931466064 | 4058546272814 |
| 0182     | 1        | MAGNET            | 4931466065 | 4058546272821 |
| 0183     | 1        | HOUSING           | 4931466066 | 4058546272838 |
| 0184     | 1        | SWITCH            | 4931466067 | 4058546272845 |
| 0185     | 1        | PIN               | 4931466068 | 4058546272852 |
| 0186     | 1        | SPRING            | 4931466069 | 4058546272869 |
| 0187     | 1        | COVER             | 4931466070 | 4058546272876 |
| 0188     | 1        | PROTECTION WASHER | 4931466071 | 4058546272883 |
| 0191     | 15       | SCREW             | 4931466072 | 4058546272890 |
| 0193     | 1        | SCREW             | 4931466073 | 4058546272906 |
| 0194     | 1        | NUT               | 4931466074 | 4058546272913 |
| 0195     | 1        | KNOB              | 4931466075 | 4058546272920 |
| 0196     | 1        | WHEEL             | 4931466076 | 4058546272937 |
| 0197     | 3        | NUT               | 4931466077 | 4058546272944 |
| 0199     | 1        | O-RING            | 4931466078 | 4058546272951 |
| 0200     | 1        | PROTECTION WASHER | 4931466079 | 4058546272968 |
| 0201     | 2        | WASHER            | 4931466080 | 4058546272975 |
| 0202     | 1        | WASHER            | 4931466081 | 4058546272982 |
| 0203     | 2        | WASHER            | 4931466082 | 4058546272999 |
| 0204     | 1        | BEVEL GEAR        | 4931466083 | 4058546273002 |
| 0205     | 1        | BEVEL GEAR        | 4931466084 | 4058546273019 |
| 0206     | 1        | HOLDING BRACKET   | 4931466085 | 4058546273026 |
| 0207     | 2        | SCREW             | 4931466086 | 4058546273033 |
| 0208     | 1        | WASHER            | 4931466087 | 4058546273040 |
| 0209     | 1        | WASHER            | 4931466088 | 4058546273057 |
| 0210     | 1        | SCREW             | 4931466089 | 4058546273064 |
| 0211     | 7        | SCREW             | 4931466090 | 4058546273071 |
| 0212     | 1        | SHAFT             | 4931466091 | 4058546273088 |
| 0213     | 1        | SHAFT             | 4931466092 | 4058546273095 |
| 0214     | 2        | SCREW             | 4931466093 | 4058546273101 |
| 0215     | 1        | DUST CAP          | 4931466094 | 4058546273118 |
| 0216     | 1        | DUST CAP          | 4931466095 | 4058546273125 |
| 0217     | 4        | SCREW             | 4931466096 | 4058546273132 |
| 0218     | 4        | WASHER            | 4931466097 | 4058546273149 |
| 0219     | 4        | SPRING            | 4931466098 | 4058546273156 |
| 0220     | 1        | HOLDING BRACKET   | 4931466099 | 4058546273163 |
| 0221     | 4        | SCREW             | 4931466100 | 4058546273170 |
| 0222     | 1        | HOUSING           | 4931466101 | 4058546273187 |
| 0223     | 1        | HOLDING BRACKET   | 4931466102 | 4058546273194 |
| 0224     | 1        | DUST CAP          | 4931466103 | 4058546273200 |
| 0225     | 1        | SCREW             | 4931466104 | 4058546273217 |



| Position | Quantité | Désignation         | Référence  | EAN           |
|----------|----------|---------------------|------------|---------------|
| 0226     | 1        | HANDLE              | 4931466105 | 4058546273224 |
| 0227     | 1        | WASHER              | 4931466106 | 4058546273231 |
| 0228     | 1        | SCREW               | 4931466107 | 4058546273248 |
| 0229     | 1        | POINTER             | 4931466108 | 4058546273255 |
| 0230     | 1        | WASHER              | 4931466109 | 4058546273262 |
| 0233     | 1        | HOUSING             | 4931466110 | 4058546273279 |
| 0235     | 3        | SCREW               | 4931466111 | 4058546273286 |
| 0260     | 1        | GUARD               | 4931466112 | 4058546273293 |
| 0261     | 1        | HOLDING-DOWN DEVICE | 4931466113 | 4058546273309 |
| 0264     | 1        | INDICATOR SET       | 4931466114 | 4058546273316 |
| 0265     | 1        | SPRING              | 4931466115 | 4058546273323 |
| 0266     | 2        | GUIDE RAIL          | 4931466116 | 4058546273330 |
| 0267     | 1        | STOP                | 4931466117 | 4058546273347 |
| 0268     | 1        | STOP                | 4931466118 | 4058546273354 |
| 0271     | 1        | BUSHING             | 4931466119 | 4058546273361 |
| 0272     | 1        | COVER               | 4931466120 | 4058546273378 |
| 0273     | 1        | CLAMP               | 4931466121 | 4058546273385 |
| 0275     | 1        | SHAFT               | 4931466122 | 4058546273392 |
| 0276     | 1        | SWITCH              | 4931466123 | 4058546273408 |
| 0277     | 1        | MOTOR ASSEMBLY      | 4931466124 | 4058546273415 |
| 0278     | 1        | BATTERY BOX         | 4931466125 | 4058546273422 |
| 0279     | 1        | HANDLE              | 4931466126 | 4058546273439 |
| 0280     | 1        | FOOT                | 4931466127 | 4058546273446 |
| 0281     | 1        | SHAFT               | 4931466128 | 4058546273453 |
| 0290     | 1        | ADAPTOR             | 4931466129 | 4058546273460 |
| 0291     | 1        | STOP                | 4931466130 | 4058546273477 |
| 0292     | 1        | GUARD               | 4931466131 | 4058546273484 |
| 0293     | 1        | GUARD               | 4931466132 | 4058546273491 |
| 0294     | 1        | INDICATOR SET       | 4931466133 | 4058546273507 |
| 0295     | 1        | SCREW               | 4931466134 | 4058546273514 |
| 0296     | 1        | COVER               | 4931466135 | 4058546273521 |
| 0297     | 1        | HOUSING             | 4931466136 | 4058546273538 |
| 0298     | 1        | BATTERY CAP         | 4931466137 | 4058546273545 |
| 0299     | 1        | RATING PLATE        | 4931466138 | 4058546273552 |
| 0300     | 1        | COVER               | 4931466139 | 4058546273569 |
| 0301     | 2        | CAM                 | 4931466140 | 4058546273576 |
| 0303     | 1        | SCREW               | 4931466142 | 4058546273590 |
| 0304     | 1        | LEVER               | 4931466143 | 4058546273606 |
| 0305     | 1        | COVER               | 4931466144 | 4058546273613 |
| 0306     | 1        | COVER               | 4931466145 | 4058546273620 |