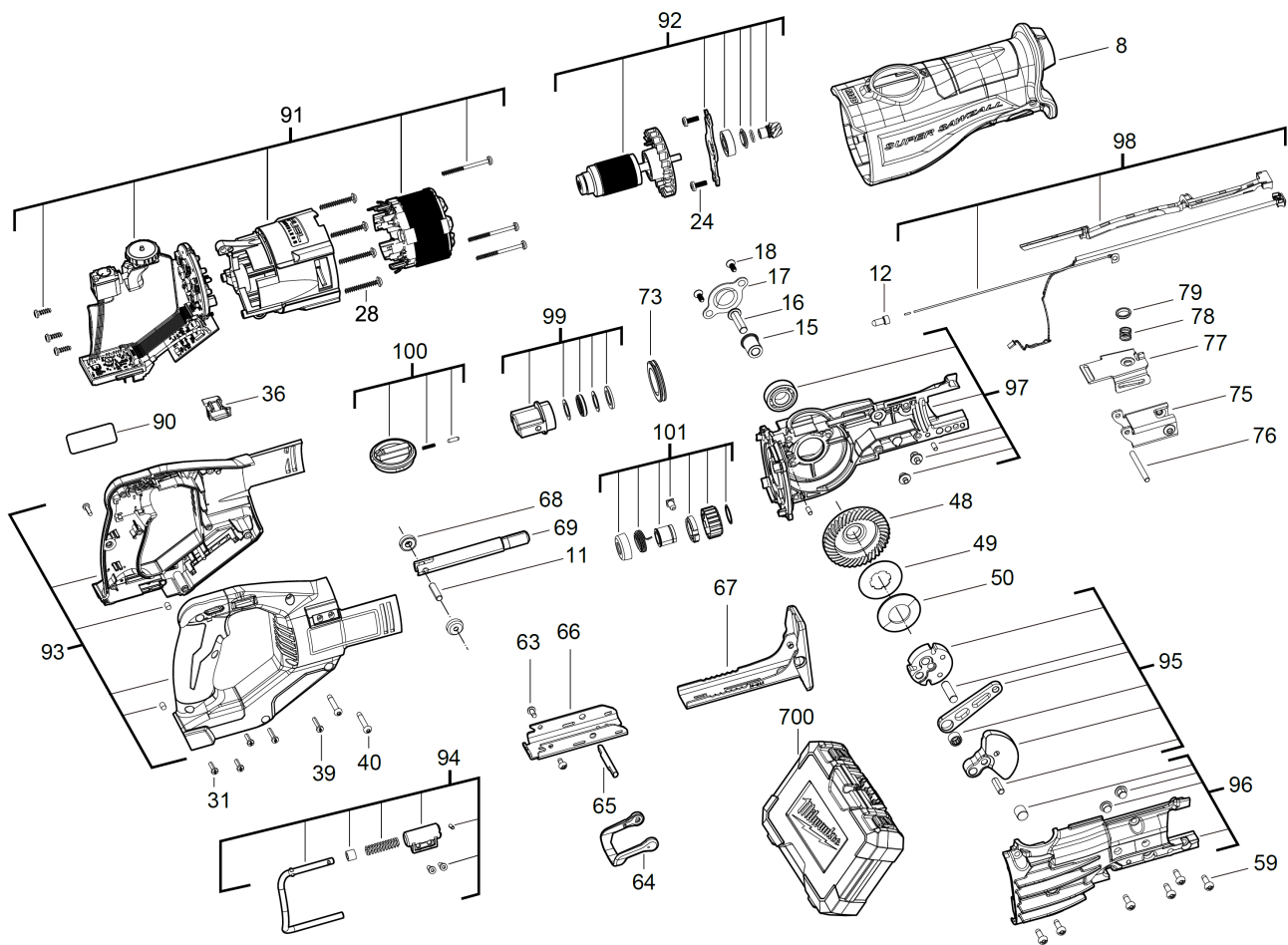


M18FSX-121C FUELL SAWZALL IN2

4933464484 - M18FSX-121C IN2 - 4000467680





Position	Quantity	Description	Part number	EAN
0008	1	GEAR BOX INSULATION	4931465639	4058546237394
0011	1	PIN	4931465640	4058546237400
0012	1	CONNECTOR	4931453770	4002395142378
0015	1	DISTANCE HOLDER	4931436034	4002395172177
0016	1	SCREW	4931436035	4002395878383
0017	1	PLATE	4931436036	4002395878390
0018	2	SCREW	4931453200	4002395151561
0024	2	SCREW	4931436635	4002395258017
0028	4	SCREW	4931436564	4002395257614
0031	4	SCREW	4931454146	4002395285600
0036	1	LOCK RELEASE KIT	4931465643	4058546237431
0039	2	SCREW	06827261	4058546068967
0040	2	SCREW	4931465644	4058546237448
0048	1	BEVEL GEAR PAIR	4931453356	4002395162536
0049	1	PLATE	4931436030	4002395878345
0050	1	SPRING	4931436031	4002395878352
0059	6	SCREW	4931435228	4002395860128
0063	2	SCREW	06827253	4058546068950
0064	1	LOCK RELEASE KIT	4931465645	4058546237455
0065	1	PIN	44601635	4058546073930
0066	1	HOLDER	4931436026	4002395878307
0067	1	DISTANCE HOLDER	4931465646	4058546237462
0068	2	SPACER	4931465647	4058546237479
0069	1	RAM	4931465648	4058546237486
0073	1	SEAL	4931436021	4002395877652
0075	1	SUPPORTING PLATE	4931465649	4058546237493
0076	1	PIN	4931465650	4058546237509
0077	1	GUIDE PIECE	4931465651	4058546237516
0078	1	SPRING	4931465652	4058546237523
0079	1	SLEEVE	4931465653	4058546237530
0090	1	RATING PLATE	4931465654	4058546237547
0091	1	PRINT.CURIUT SWITCH	4931465655	4058546237554
0092	1	ARMATURE	4931465656	4058546237561
0093	1	HANDLE SET	4931465657	4058546237578
0094	1	HOOK	4931465658	4058546237585
0095	1	CRANK ASSEMBLY	4931465659	4058546237592
0096	1	HOUSING RIGHT	4931465660	4058546237608
0097	1	HOUSING LEFT	4931465661	4058546237615
0098	1	LIGHT PIPE	4931465662	4058546237622
0099	1	BUSH	4931453359	4002395162567
0100	1	ROTARY SLIDER	4931465663	4058546237639
0101	1	INTERLOCK ELEMENT	4931465664	4058546237646
0700	1	CARRYING CASE	4931465665	4058546237653