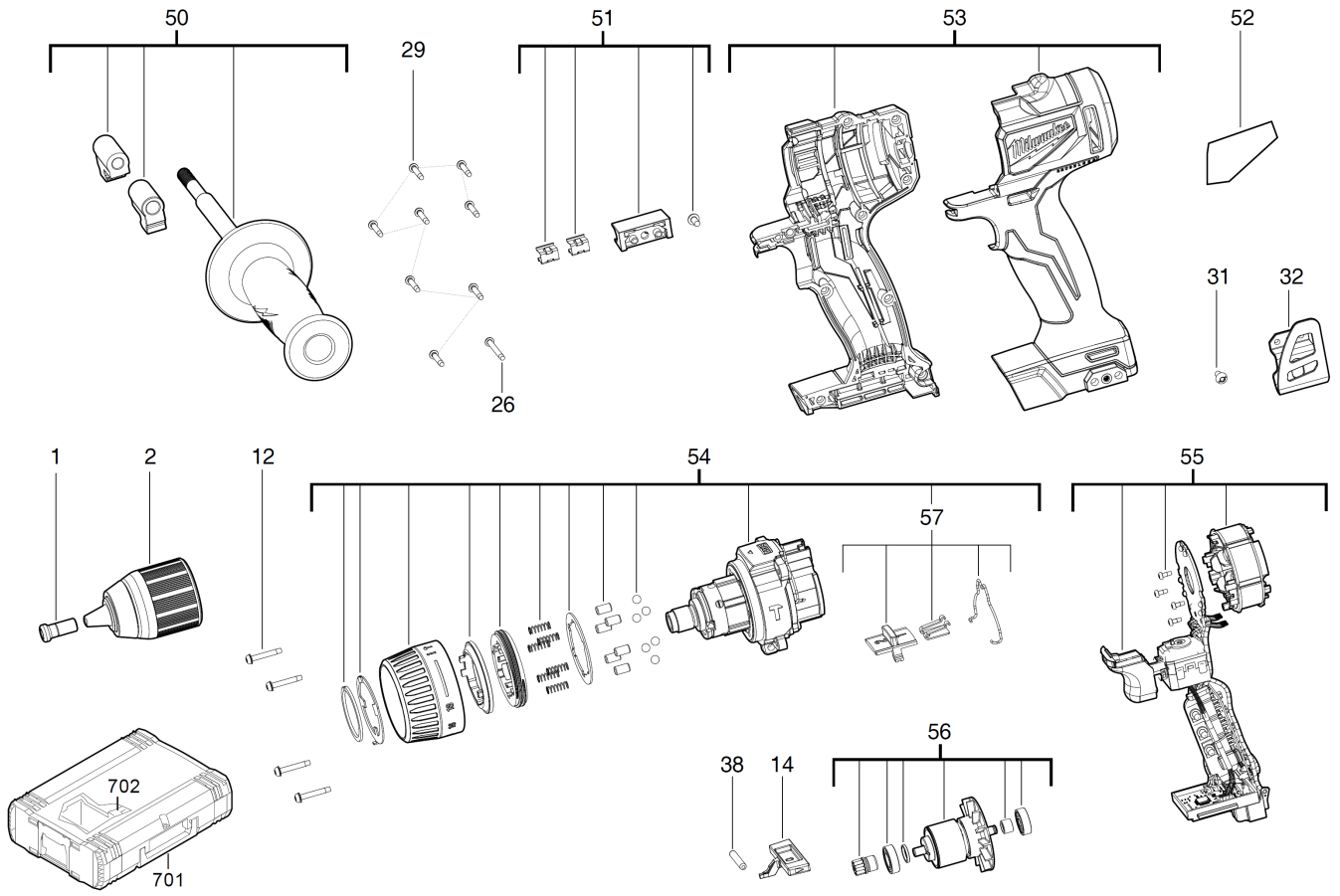


M18BLPD2-0X BRUSHL.PERC.DRILL XXX

4933464516 - M18BLPD2-0X - 4000469172





| Position | Quantity | Description | Part number | EAN |
|----------|----------|------------------|-------------|---------------|
| 0001 | 1 | LOCKING SCREW | 4931453214 | 4002395151875 |
| 0002 | 1 | CHUCK | 4931466294 | 4058546275112 |
| 0012 | 4 | SCREW | 4931465984 | 4058546272012 |
| 0014 | 1 | SLIDER | 4931466285 | 4058546275020 |
| 0026 | 1 | SCREW | 4931465898 | 4058546239985 |
| 0029 | 8 | SCREW | 4931465499 | 4058546235994 |
| 0031 | 1 | SCREW | 4931465986 | 4058546272036 |
| 0032 | 1 | HOOK | 4931436134 | 4002395879427 |
| 0038 | 1 | PIN | 4931436155 | 4002395881604 |
| 0050 | 1 | AUXILIARY HANDLE | 4931466286 | 4058546275037 |
| 0051 | 1 | BIT HOLDER | 4931465832 | 4058546239329 |
| 0052 | 1 | RATING PLATE | 4931466295 | 4058546275129 |
| 0053 | 1 | HOUSING | 4931466288 | 4058546275051 |
| 0054 | 1 | GEAR BOX ASSY | 4931466296 | 4058546275136 |
| 0055 | 1 | SWITCH | 4931466290 | 4058546275075 |
| 0056 | 1 | MOTOR ASSEMBLY | 4931466291 | 4058546275082 |
| 0057 | 1 | SWITCH | 4931466292 | 4058546275099 |
| 0702 | 1 | INSERT | 4931466293 | 4058546275105 |
| 0701 | 1 | HD Box 1 - 1pc | 4932453385 | 4002395146376 |