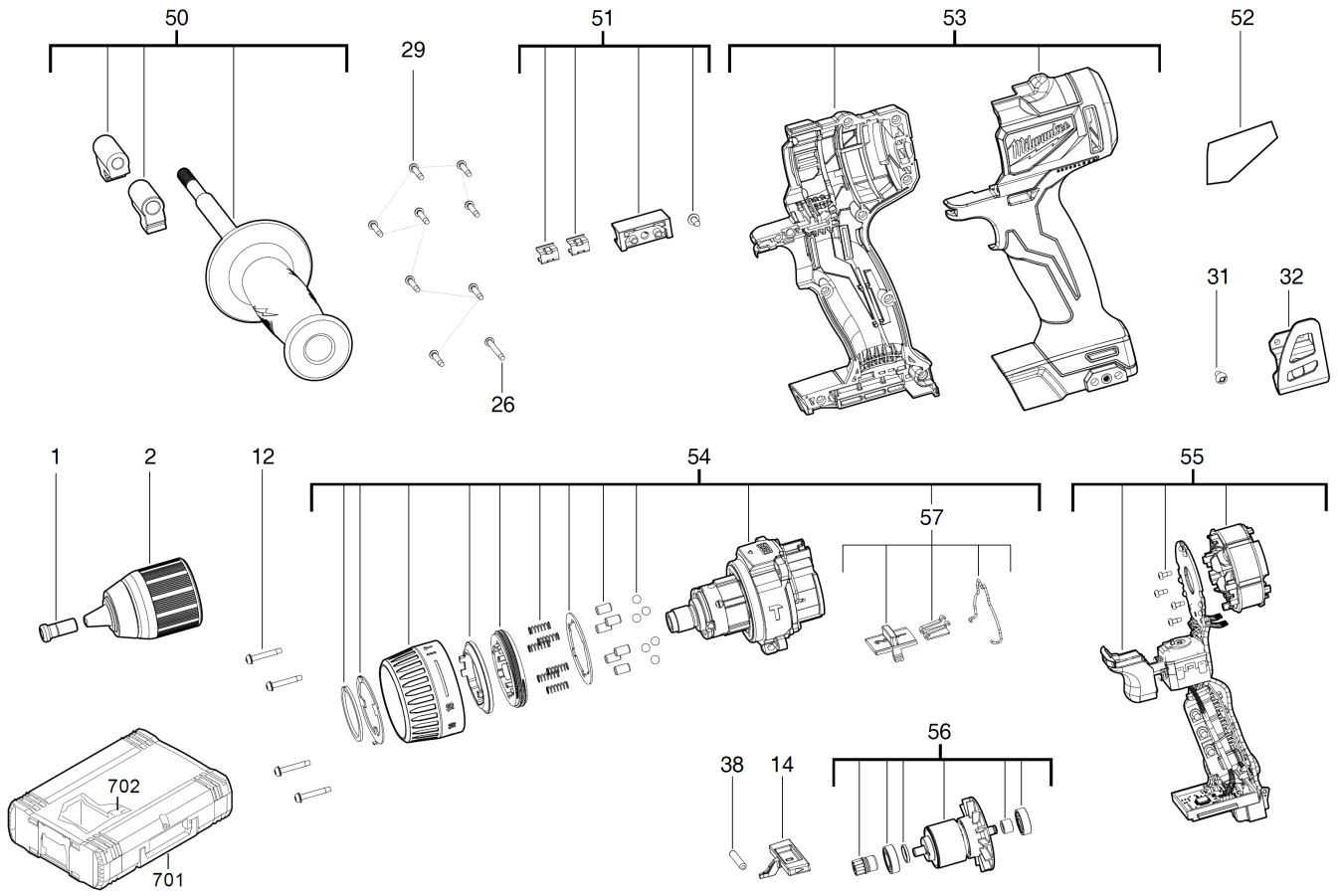


# M18BLPD2-502X BRUSHL.PERC.DRILL IN2

4933464517 - M18BLPD2-502X - 4000469172





Position	Quantity	Description	Part number	EAN
0001	1	LOCKING SCREW	4931453214	4002395151875
0002	1	CHUCK	4931466294	4058546275112
0012	4	SCREW	4931465984	4058546272012
0014	1	SLIDER	4931466285	4058546275020
0026	1	SCREW	4931465898	4058546239985
0029	8	SCREW	4931465499	4058546235994
0031	1	SCREW	4931465986	4058546272036
0032	1	HOOK	4931436134	4002395879427
0038	1	PIN	4931436155	4002395881604
0050	1	AUXILIARY HANDLE	4931466286	4058546275037
0051	1	BIT HOLDER	4931465832	4058546239329
0052	1	RATING PLATE	4931466295	4058546275129
0053	1	HOUSING	4931466288	4058546275051
0054	1	GEAR BOX ASSY	4931466296	4058546275136
0055	1	SWITCH	4931466290	4058546275075
0056	1	MOTOR ASSEMBLY	4931466291	4058546275082
0057	1	SWITCH	4931466292	4058546275099
0702	1	INSERT	4931466293	4058546275105
0701	1	HD Box 1 - 1pc	4932453385	4002395146376