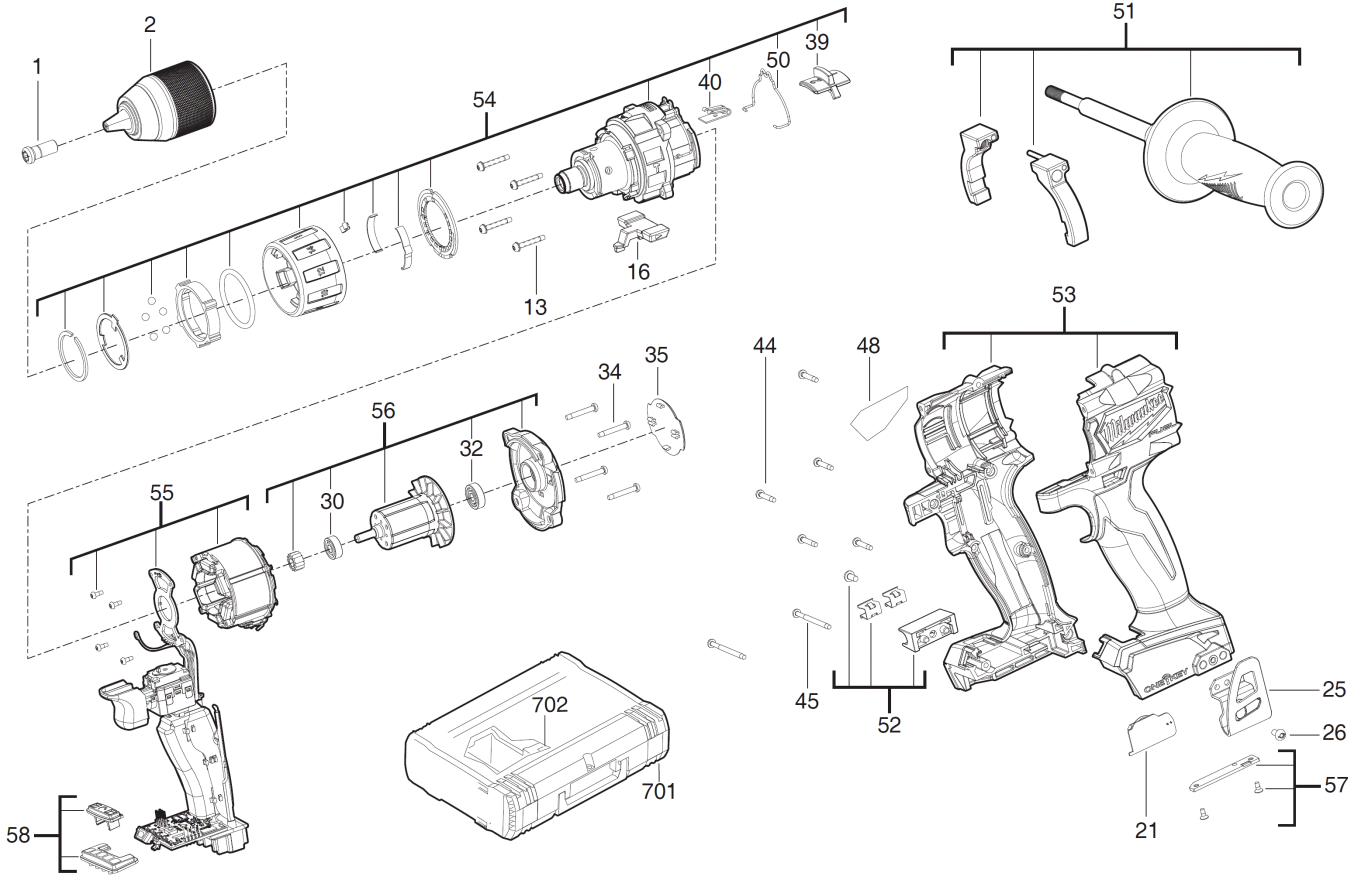


# M18ONEPD2-502X ONE KEY PERC. DRILL IN2

4933464527 - M18ONEPD2-502X - 4000469205





Position	Quantity	Description	Part number	EAN
0001	1	LOCKING SCREW	4931453214	4002395151875
0002	1	CHUCK	4931466000	4058546272173
0013	4	SCREW	4931465984	4058546272012
0016	1	SLIDE	4931465985	4058546272029
0021	1	ELECTRONIC	4931466275	4058546274924
0025	1	HOOK	4931436134	4002395879427
0026	1	SCREW	4931465986	4058546272036
0030	1	BALL BEARING	4931436014	4002395875399
0032	1	BALL BEARING	4931465987	4058546272043
0034	4	SCREW	4931453223	4002395152568
0035	1	BEARING END PLATE	4931465988	4058546272050
0039	1	SWITCH	4931465989	4058546272067
0040	1	SPRING PLATE	4931465990	4058546272074
0044	5	SCREW	4931453227	4002395153206
0045	2	SCREW	4931454852	4058546020262
0048	1	RATING PLATE	4931466281	4058546274986
0050	1	WIRE STRAP	4931465992	4058546272098
0051	1	AUXILIARY HANDLE	4931465993	4058546272104
0052	1	BIT HOLDER	4931465832	4058546239329
0053	1	HOUSING	4931466277	4058546274948
0054	1	GEAR BOX	4931466002	4058546272197
0055	1	SWITCH	4931466278	4058546274955
0056	1	ARMATURE	4931465997	4058546272142
0057	1	COVER	4931466279	4058546274962
0058	1	SLIDER	4931466280	4058546274979
0702	1	INSERT	4931465999	4058546272166
0701	1	HD Box 1 - 1pc	4932453385	4002395146376