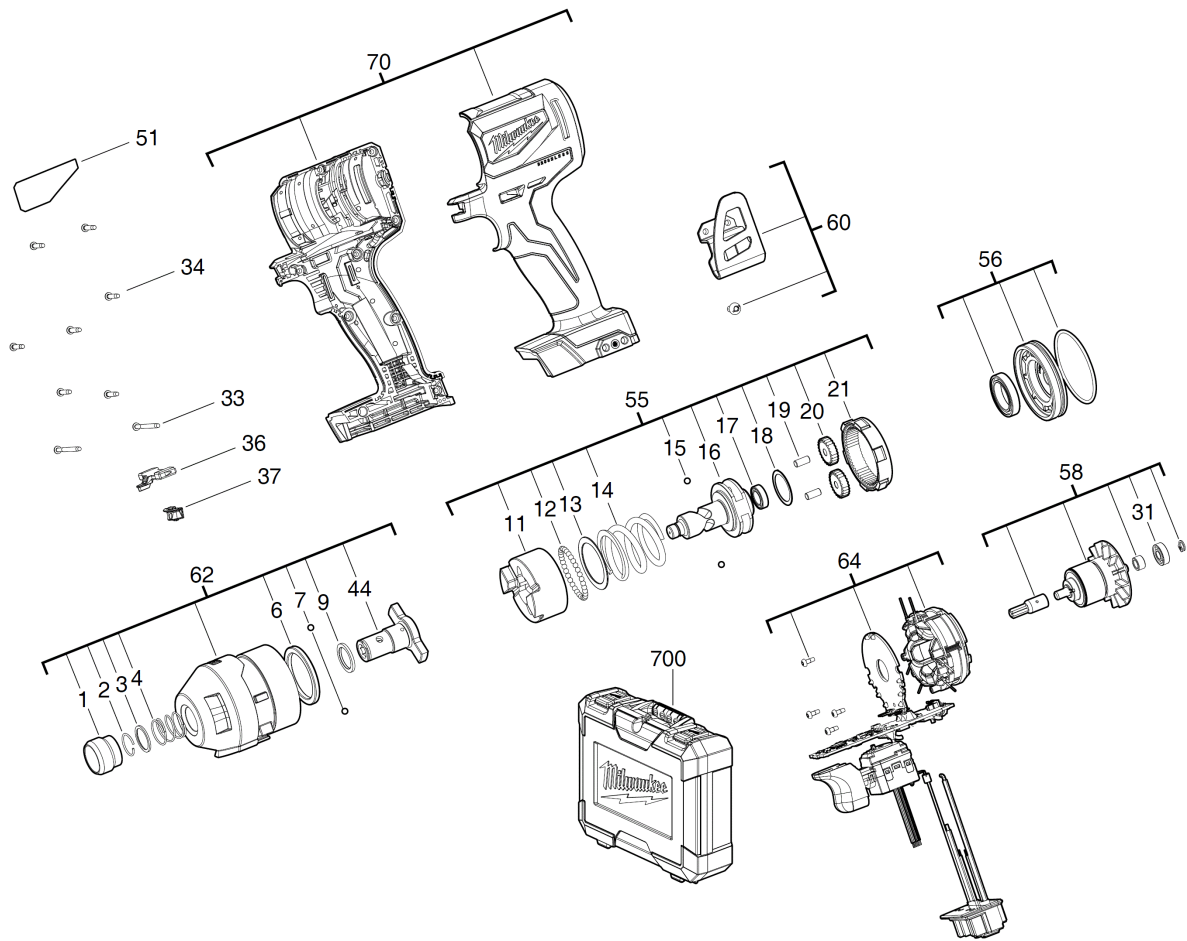


M18CBLID-402C BRUSHL.IMPACT DRIVER IN2

4933464534 - M18CBLID-402C - 4000467824





Position	Quantity	Description	Part number	EAN
0001	1	SLEEVE	4931453234	4002395153275
0002	1	HOLDING RING	4931436098	4002395879908
0003	1	WASHER	4931472076	4058546282936
0004	1	SPRING	4931436084	4002395878567
0006	1	WASHER	4931435372	4002395892082
0007	2	BALL	4931453236	4002395153299
0009	1	WASHER	4931465810	4058546239107
0011	1	HAMMER	4931466166	4058546273835
0012	30	BALL	4931440309	4002395892013
0013	1	WASHER	4931466167	4058546273842
0014	1	SPRING	4931466168	4058546273859
0015	2	BALL	4931440453	4002395892020
0016	1	CAM SHAFT	4931466169	4058546273866
0017	1	BALL BEARING	4931465819	4058546239190
0018	1	WASHER	4931452053	4002395180189
0019	2	CYLINDER PIN	4931435378	4002395889341
0020	2	PLANET GEAR	4931466170	4058546273873
0021	1	INTERN.GEARED WHEEL	4931466171	4058546273880
0031	1	BALL BEARING	4931466172	4058546273897
0033	2	SCREW	4931454852	4058546020262
0034	7	SCREW	4931465499	4058546235994
0036	1	SWITCH	4931466173	4058546273903
0037	1	LENS	4931466174	4058546273910
0044	1	ANVIL	4931466175	4058546273927
0051	1	RATING PLATE	4931466176	4058546273934
0055	1	OFFSET GEAR	4931466177	4058546273941
0056	1	END PLATE	4931466178	4058546273958
0058	1	ARMATURE ASSEMBLY	4931466179	4058546273965
0060	1	BELT CLIP	4931465831	4058546239312
0062	1	GEAR BOX	4931466180	4058546273972
0064	1	ELECTRONIC	4931466181	4058546273989
0070	1	HOUSING	4931466182	4058546273996
0700	1	CARRYING CASE	4931466183	4058546274009