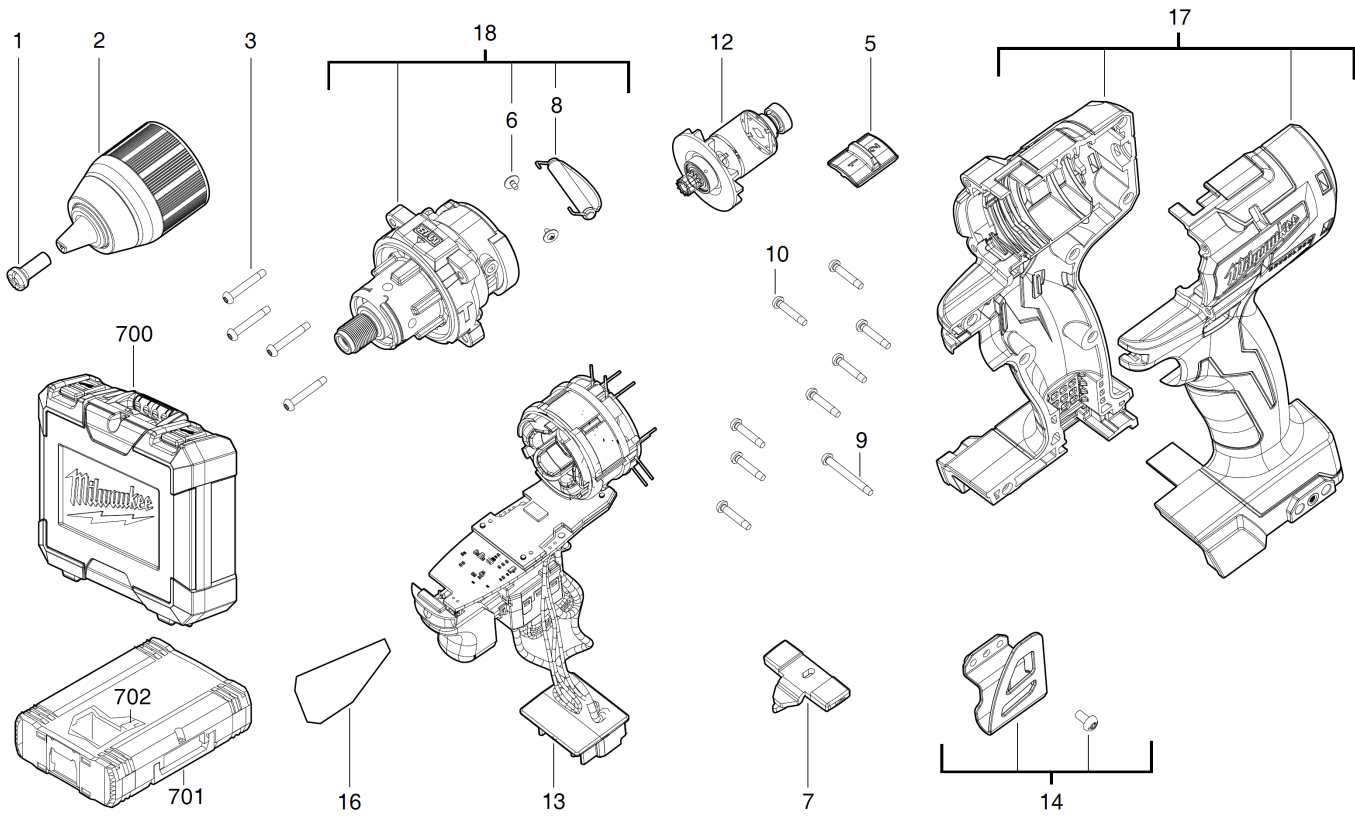


M18CBLPD-402C BRUSHL.PERC.DRILL IN2

4933464537 - M18CBLPD-402C - 4000469142





Position	Quantity	Description	Part number	EAN
0001	1	SCREW	4931465497	4058546235970
0002	1	CHUCK	4931465895	4058546239954
0003	4	SCREW	4931453223	4002395152568
0005	1	SWITCH	4931465896	4058546239961
0006	2	SCREW	661262001	4002395839858
0007	1	SWITCH	4931465897	4058546239978
0008	1	RACKING LEVER	4931465508	4058546236083
0009	1	SCREW	4931465898	4058546239985
0010	8	SCREW	4931465499	4058546235994
0012	1	ARMATURE	4931465899	4058546239992
0013	1	ELECTRONIC	4931465900	4058546240004
0014	1	BELT CLIP	4931465831	4058546239312
0016	1	RATING PLATE	4931465901	4058546240011
0017	1	HOUSING	4931465902	4058546240028
0018	1	GEAR BOX	4931466003	4058546272203
0700	1	CARRYING CASE	4931465904	4058546240042
0701	1	HD Box 1 - 1pc	4932453385	4002395146376
0702	1	INSERT	4931465905	4058546240059