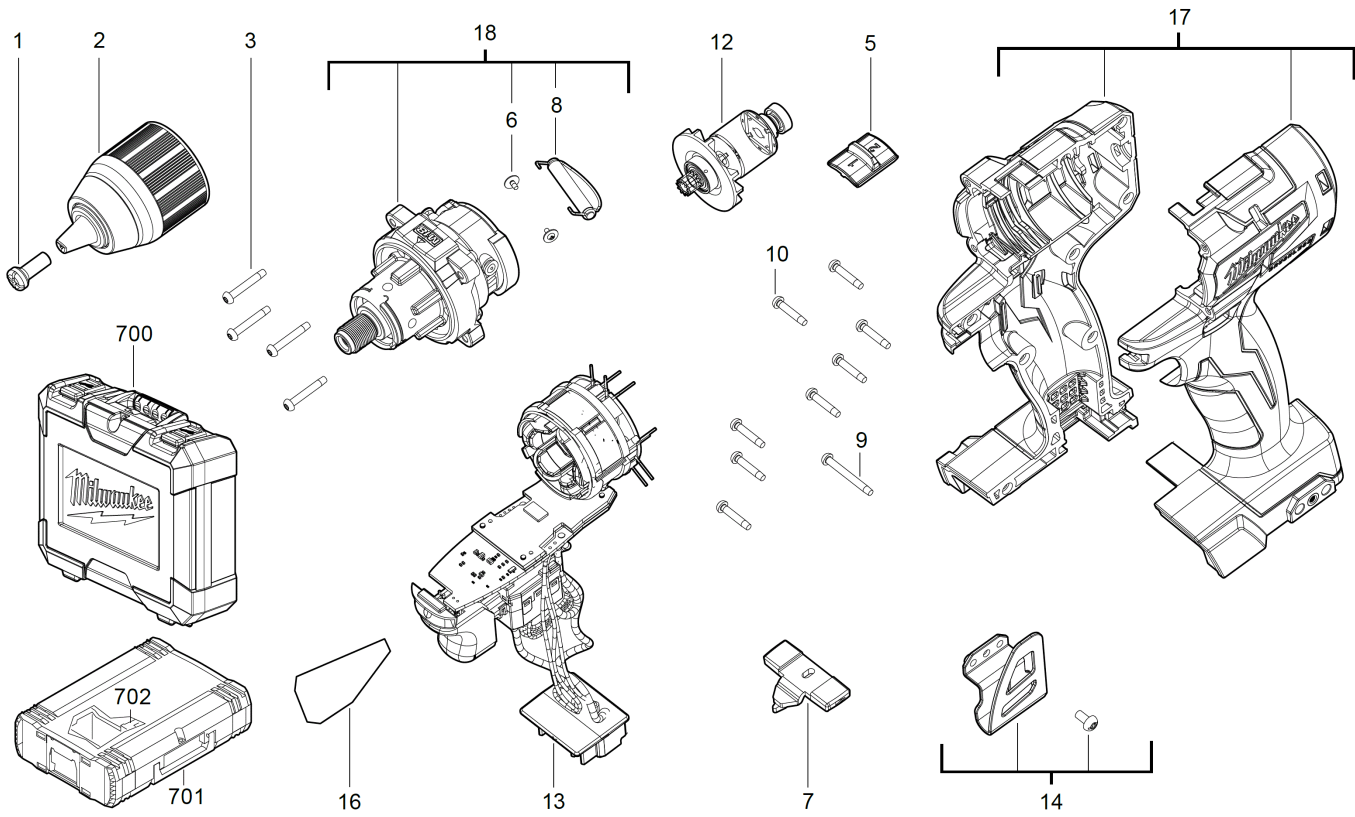


# M18CBLDD-402C BRUSHL.DRILL DRIVER IN2

4933464539 - M18CBLDD-402C - 4000469127





| Position | Quantity | Description    | Part number | EAN           |
|----------|----------|----------------|-------------|---------------|
| 0001     | 1        | SCREW          | 4931465497  | 4058546235970 |
| 0002     | 1        | CHUCK          | 4931465895  | 4058546239954 |
| 0003     | 4        | SCREW          | 4931453223  | 4002395152568 |
| 0005     | 1        | SWITCH         | 4931465896  | 4058546239961 |
| 0006     | 2        | SCREW          | 661262001   | 4002395839858 |
| 0007     | 1        | SWITCH         | 4931465897  | 4058546239978 |
| 0008     | 1        | RACKING LEVER  | 4931465508  | 4058546236083 |
| 0009     | 1        | SCREW          | 4931465898  | 4058546239985 |
| 0010     | 8        | SCREW          | 4931465499  | 4058546235994 |
| 0012     | 1        | ARMATURE       | 4931465899  | 4058546239992 |
| 0013     | 1        | ELECTRONIC     | 4931465900  | 4058546240004 |
| 0014     | 1        | BELT CLIP      | 4931465831  | 4058546239312 |
| 0016     | 1        | RATING PLATE   | 4931466004  | 4058546272210 |
| 0017     | 1        | HOUSING        | 4931465902  | 4058546240028 |
| 0018     | 1        | GEAR BOX       | 4931465903  | 4058546240035 |
| 0700     | 1        | CARRYING CASE  | 4931465904  | 4058546240042 |
| 0701     | 1        | HD Box 1 - 1pc | 4932453385  | 4002395146376 |
| 0702     | 1        | INSERT         | 4931465905  | 4058546240059 |