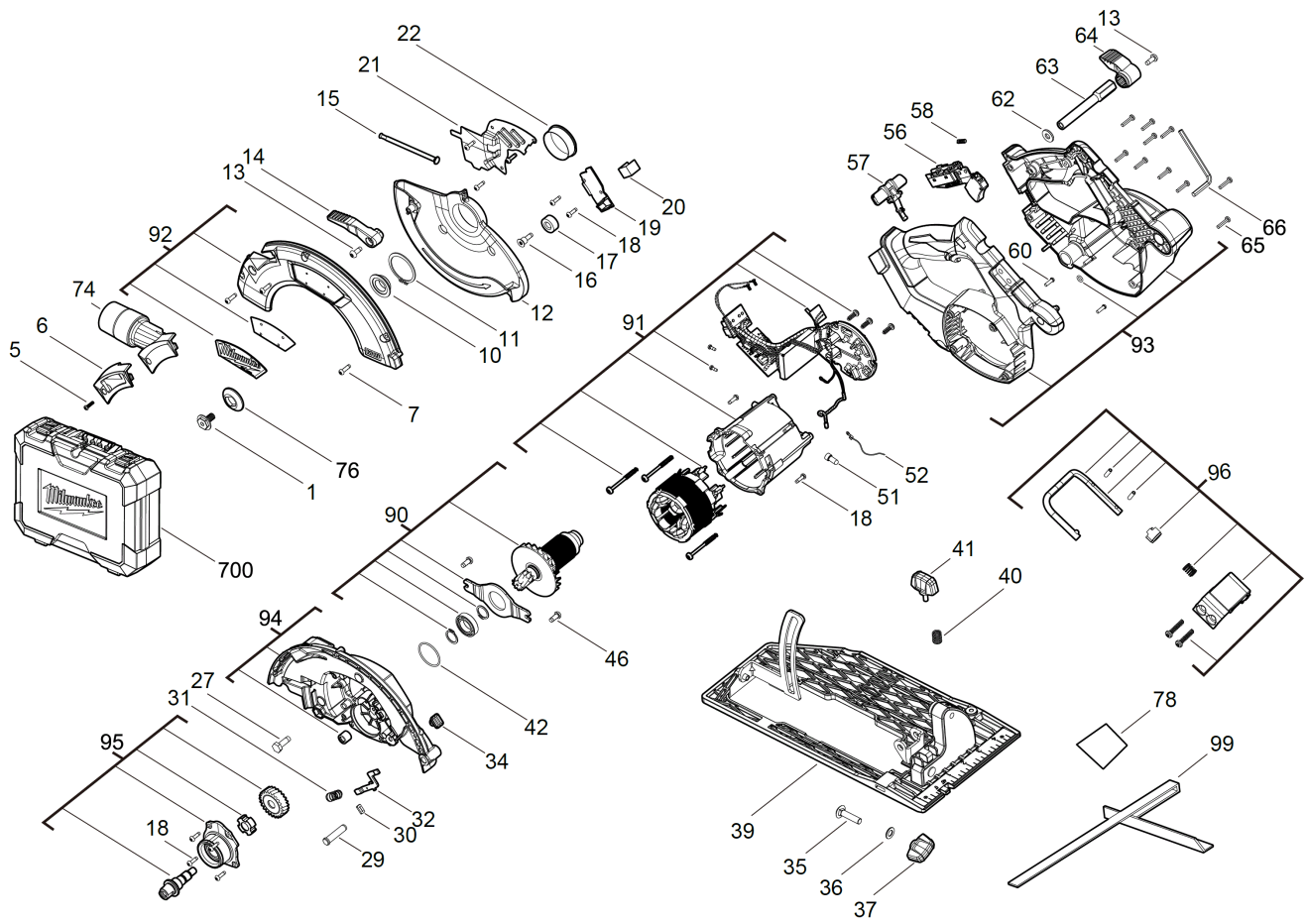


M18FCS66-0 CIRCULAR SAW XXX

4933464725 - M18FCS66-0C - 4000467455





Position	Quantity	Description	Part number	EAN
0001	1	SCREW	4931436453	4002395251018
0005	1	SCREW	4931465872	4058546239725
0006	1	CHIP EJECTOR	4931465873	4058546239732
0007	3	SCREW	4931435150	4002395859948
0010	1	FLANGE	4931465957	4058546271749
0011	1	THRUST COLLAR	34600860	4058546072247
0012	1	GUARD	4931465958	4058546271756
0013	2	SCREW TORX SCREW	06825314	4002395851935
0014	1	LEVER	4931436455	4002395251032
0015	1	SPRING	40500045	4058546072674
0016	1	SCREW	45040485	4058546074258
0017	1	RUBBER BUMPER	4931465876	4058546239763
0018	13	SCREW	06825285	4058546068844
0019	1	COVER	4931465959	4058546271763
0020	1	WORK LAMP	4931465960	4058546271770
0021	1	COVER	4931465961	4058546271787
0022	1	RING	4931436460	4002395251087
0027	1	SCREW	06755860	4058546068745
0029	1	PIN	4931465877	4058546239770
0030	1	FELT PACKING	45060720	4058546074364
0031	1	SPRING	4931461124	4058546032968
0032	1	SPINDLE LOCK	4931465962	4058546271794
0034	1	PUSH-BUTTON	42421030	4058546073121
0035	1	SCREW	4931436115	4002395881437
0036	1	WASHER	45881560	4058546074845
0037	1	TRIGGER	4931436114	4002395881420
0039	1	GUIDE SHOE	4931465963	4058546271800
0040	1	SPRING	40500650	4058546072742
0041	1	TRIGGER	4931436113	4002395881413
0042	1	O-RING	4931465964	4058546271817
0046	2	LOCKING SCREW	4931465672	4058546237721
0051	1	CONNECTOR	4931453770	4002395142378
0052	1	WIRE	4931465882	4058546239824
0056	1	SWITCH	4931465965	4058546271824
0057	1	TRIGGER	4931461128	4058546033002
0058	1	SPRING WASHER	672029001	4002395848683
0060	4	SCREW	4931465883	4058546239831
0062	1	WASHER	45881545	4058546074821
0063	1	SHAFT	45080395	4058546074395
0064	1	TENSION LEVER	4931461131	4058546033033
0065	10	SCREW	06827470	4002395773367
0066	1	KEY	4931436125	4002395878734
0074	1	DUST EXTR.CONNECTOR	4931465885	4058546239855
0076	1	FLANGE	43340485	4058546073374
0078	1	RATING PLATE	4931465966	4058546271831
0090	1	ARMATURE	4931465967	4058546271848
0091	1	ELECTRONIC	4931465968	4058546271855
0092	1	GEAR BOX COVER	4931465969	4058546271862
0093	1	HOUSING	4931465970	4058546271879
0094	1	GEAR BOX ASSY	4931465971	4058546271886

Position	Quantité	Désignation	Référence	EAN
0095	1	DRIVING SHAFT	4931465972	4058546271893
0096	1	HOOK	4931465973	4058546271909
0099	1	PARALLEL GUIDE	4931448018	4002395249732
0700	1	CARRYING CASE	4931465974	4058546271916