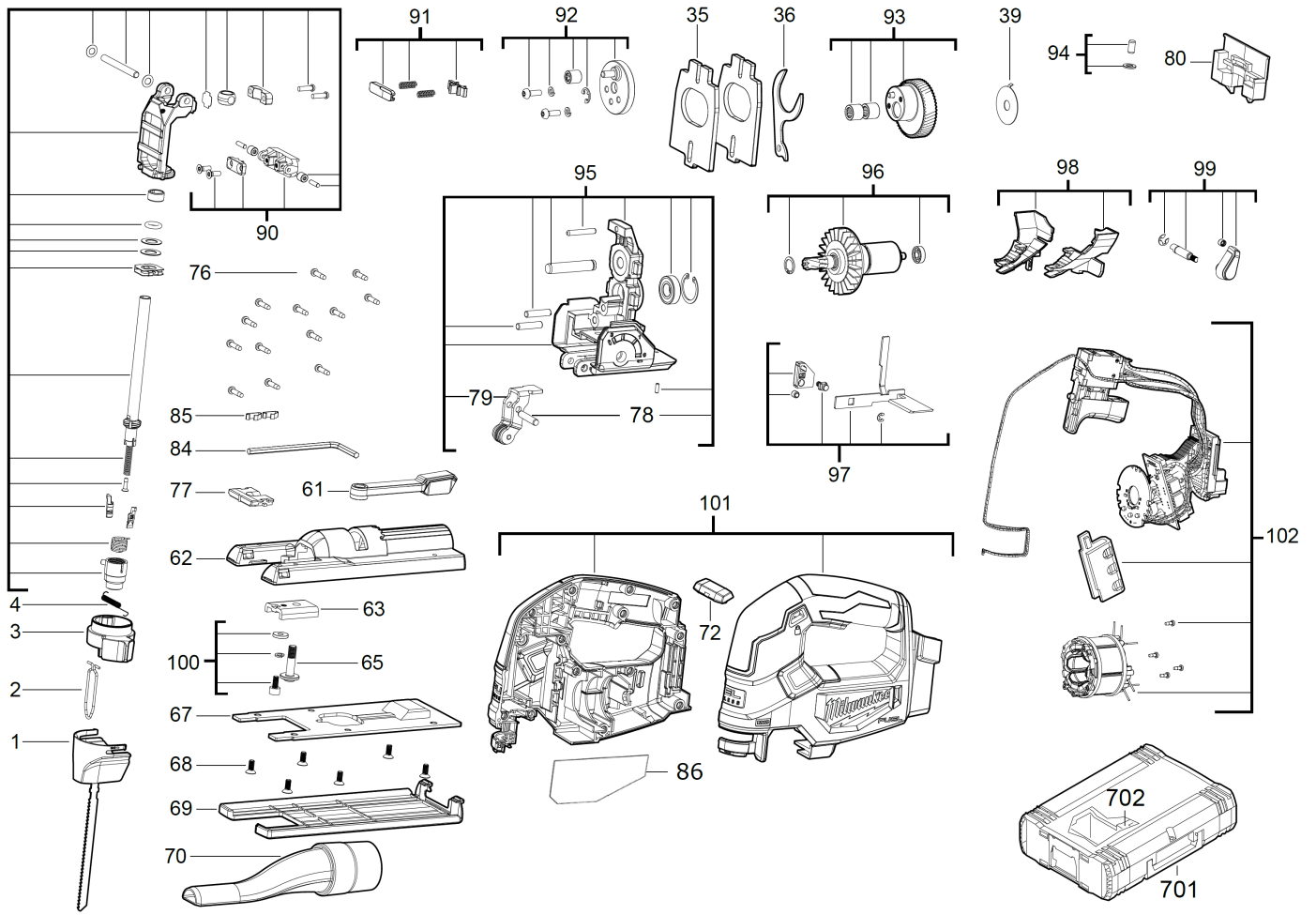


M18FJS-502X BTY. JIGSAW IN2

4933464727 - M18FJS-502X IN2 - 4000469259





Position	Quantity	Description	Part number	EAN
0001	1	COVER	4931466420	4058546276379
0002	1	DISTANCE HOLDER	4931454320	4002395286102
0003	1	SHOE REL.LEVER KIT	4931466421	4058546276386
0004	1	SPRING	4931454321	4002395286119
0035	2	ECCENTRIC BEARING	4931454304	4002395284740
0036	1	ECCENTRIC DISC	4931454305	4002395284757
0039	1	WASHER	4931454307	4002395284771
0061	1	CLAMPING LEVER	4931466422	4058546276393
0062	1	GLIDING SHOE	4931466423	4058546276409
0063	1	HOLDING PLATE	4931454313	4002395285433
0065	1	SCREW	4931466424	4058546276416
0067	1	BASE PLATE	4931466425	4058546276423
0068	6	SCREW	4931454315	4002395285457
0069	1	COVER	4931466426	4058546276430
0070	1	DUST EXTRACTION	4931466427	4058546276447
0072	1	PUSH BUTTON	4931466428	4058546276454
0076	13	SCREW	660024030	4002395826957
0077	1	ANT-CHIPPING DEVICE	4931431787	4002395895700
0078	1	HOLDING PIN	4931472871	4058546331733
0079	1	GUIDE ROLLER	4931472870	4058546331726
0080	1	GEAR BOX COVER	4931466429	4058546276461
0084	1	HEX WRENCH	4931466430	4058546276478
0085	2	SPRING	4931466431	4058546276485
0086	1	RATING PLATE	4931466432	4058546276492
0090	1	SPINDLE KIT	4931466433	4058546276508
0091	1	BACKING PLATE	4931454328	4002395286188
0092	1	SPACER PLATE	4931466434	4058546276515
0093	1	GEAR	4931466435	4058546276522
0094	1	SEAL	4931454337	4002395286874
0095	1	GEAR BOX ASSY	4931466436	4058546276539
0096	1	MOTOR ASSEMBLY	4931466437	4058546276546
0097	1	BLOWER	4931466438	4058546276553
0098	1	CLUTCH HOUSING	4931466439	4058546276560
0099	1	SHOE REL.LEVER KIT	4931466440	4058546276577
0100	1	COVER-KIT	4931466441	4058546276584
0101	1	HOUSING	4931466442	4058546276591
0102	1	SWITCH	4931466443	4058546276607
0701	1	HD Box 1 - 1pc	4932453385	4002395146376
0702	1	INSERT	4931466444	4058546276614