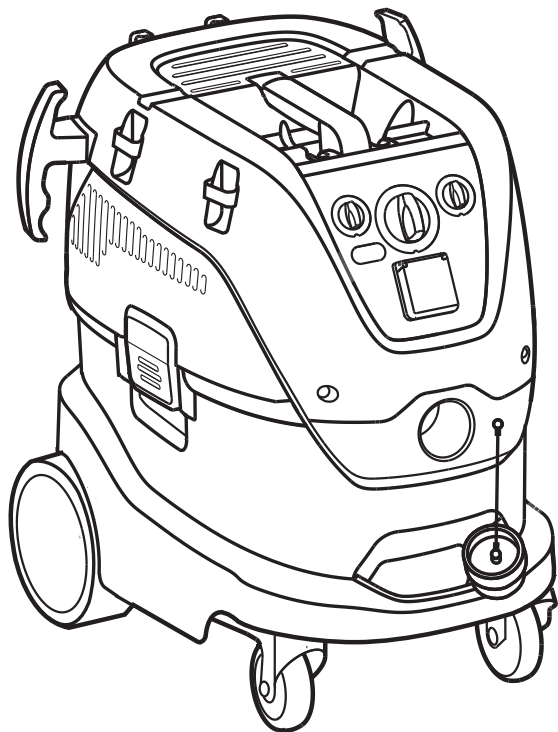


# Milwaukee®

Nothing but **HEAVY DUTY**®



## **AS-30 MAC** **AS-42 MAC**



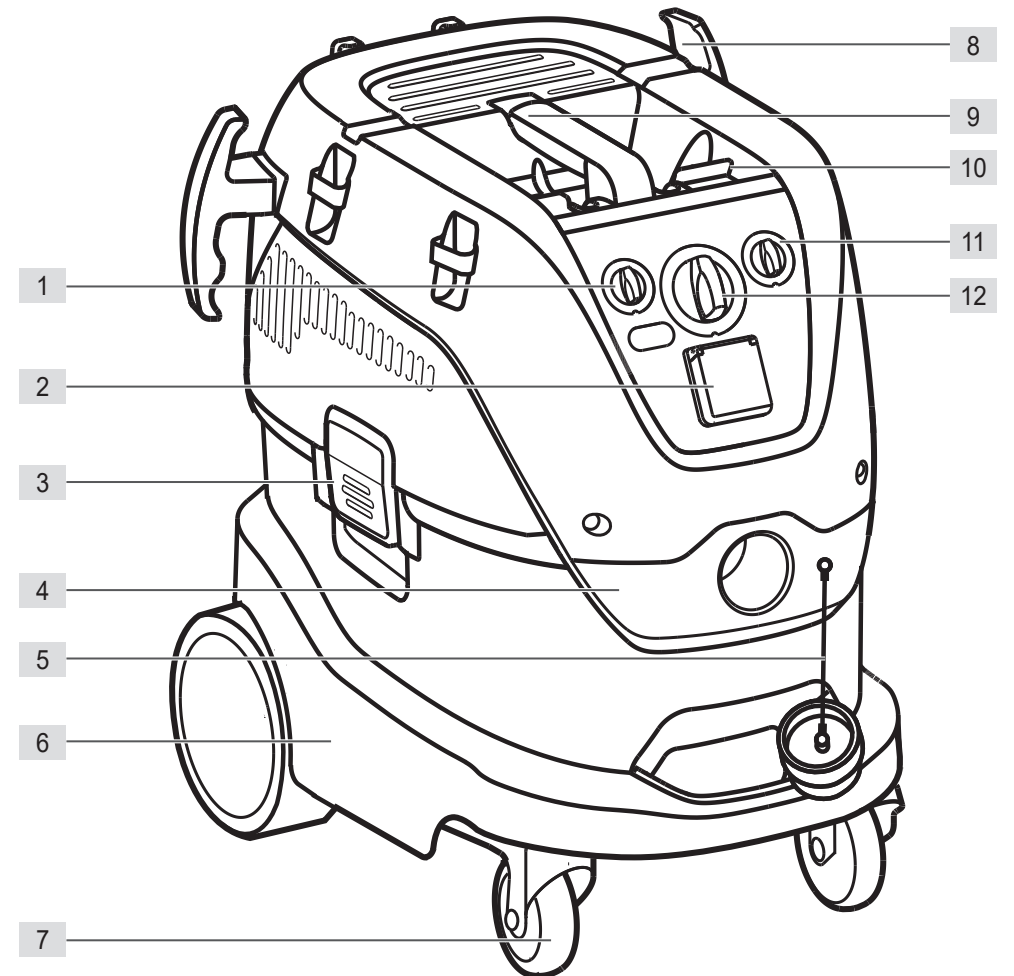
Original instructions

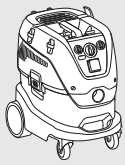
Originalbetriebsanleitung

Notice originale

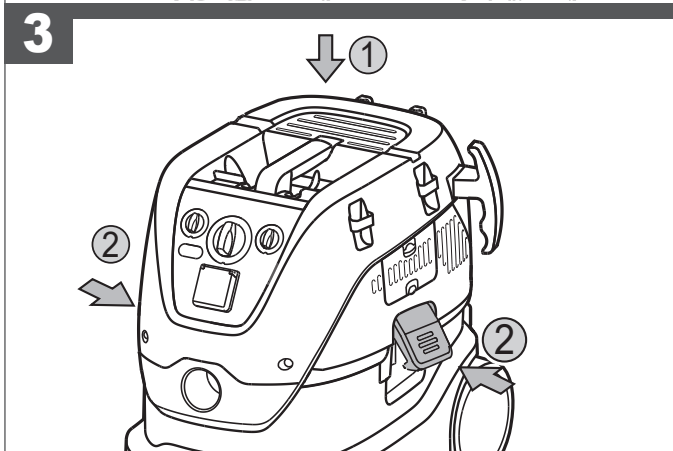
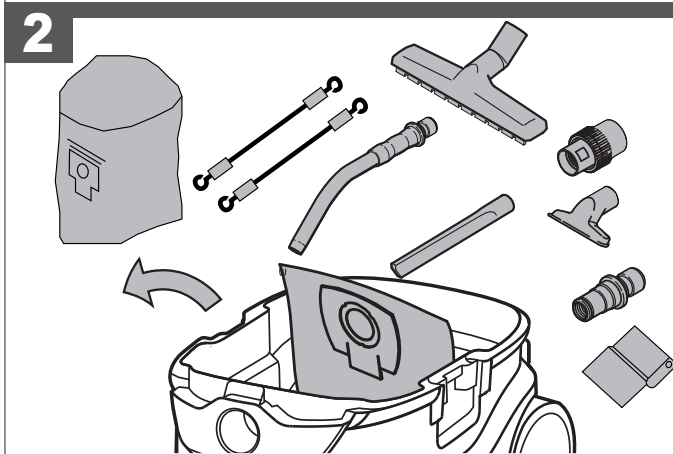
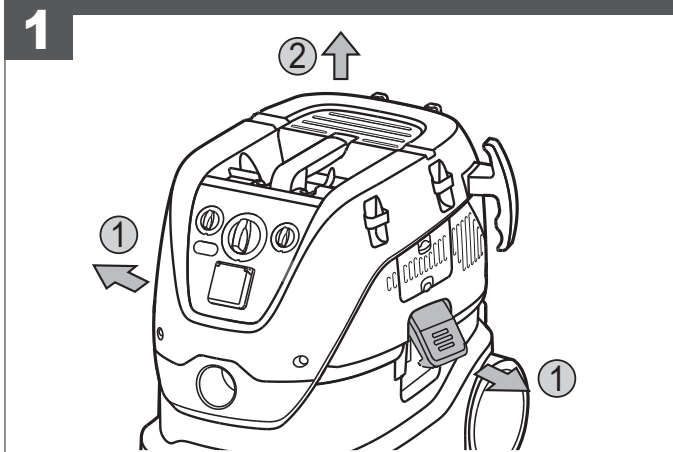
Istruzioni originali

<b>ENGLISH</b>	Text section with Technical Data, important Safety and Working Hints and description of Symbols	<b>22</b>
<b>DEUTSCH</b>	Textteil mit Technischen Daten, wichtigen Sicherheits- und Arbeitshinweisen und Erklärung der Symbole.	<b>28</b>
<b>FRANÇAIS</b>	Partie textuelle avec les données techniques, les consignes importantes de sécurité et de travail ainsi que l'explication des pictogrammes.	<b>34</b>
<b>ITALIANO</b>	Sezione testo con dati tecnici, importanti informazioni sulla sicurezza e sull'utilizzo, spiegazione dei simboli.	<b>40</b>

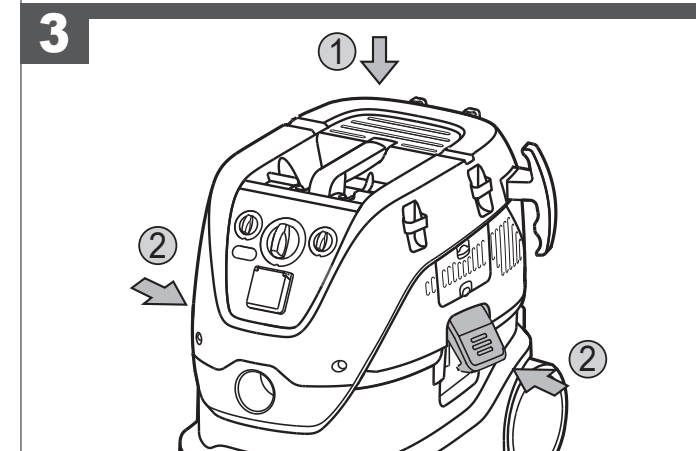
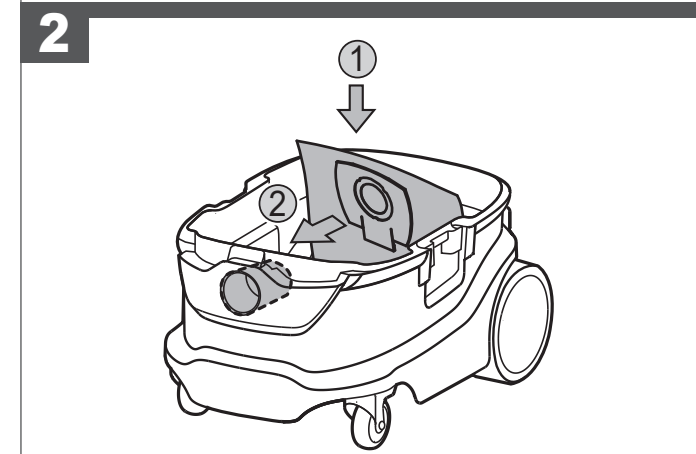
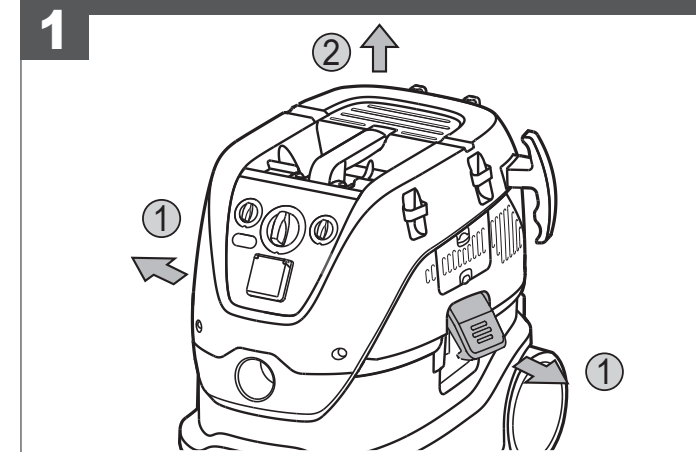


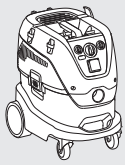


Unpack accessories  
 Zubehör auspacken  
 Déballage des accessoires  
 Disimballaggio degli accessori

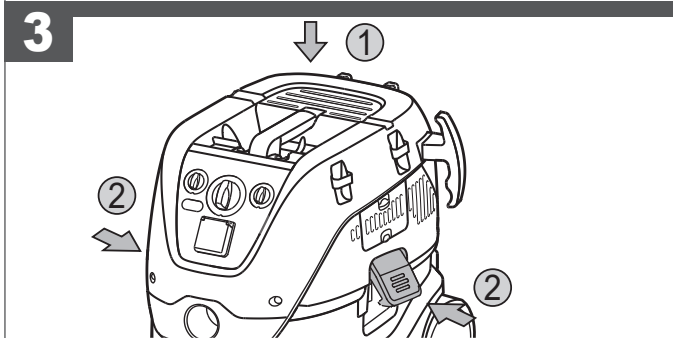
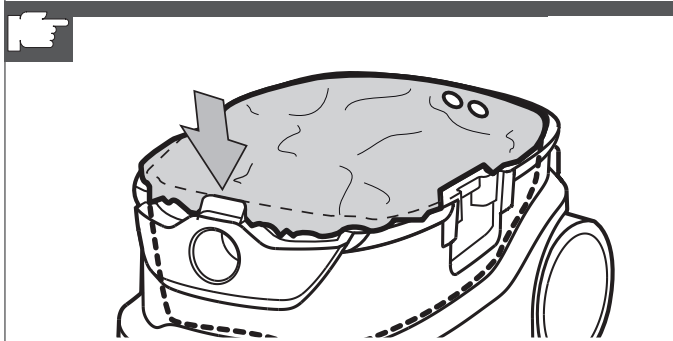
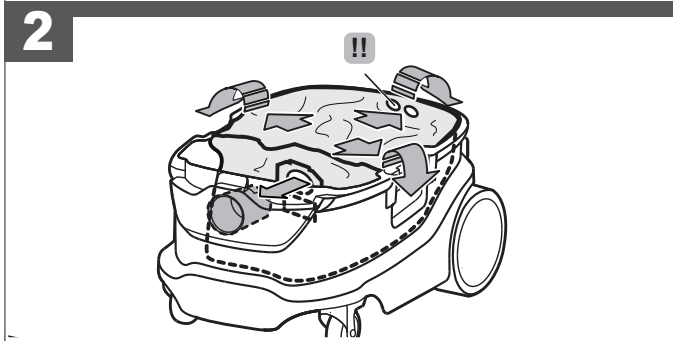
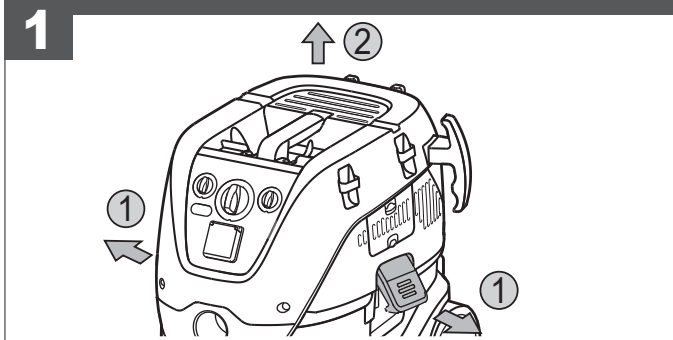


Filter bag installation  
 Filterbeutel einsetzen  
 Installation du sac-filtre  
 Installazione sacchetto filtro

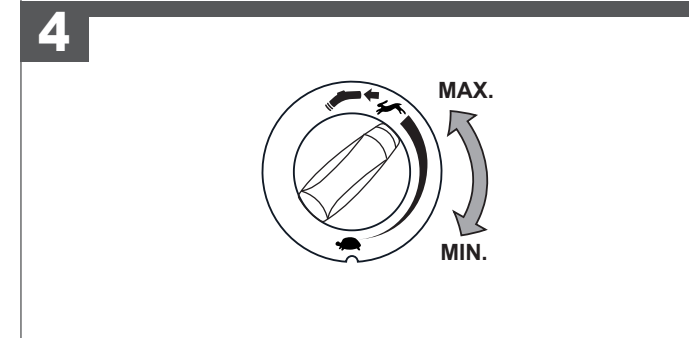
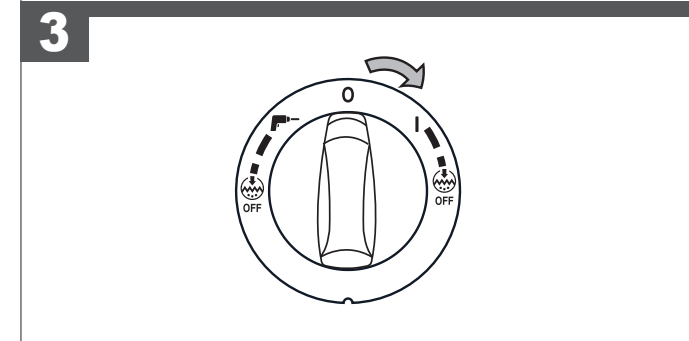
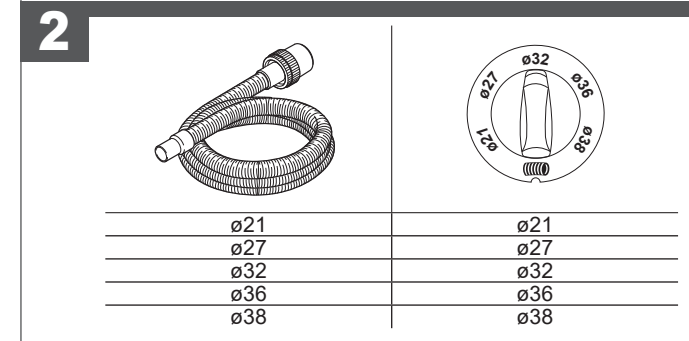
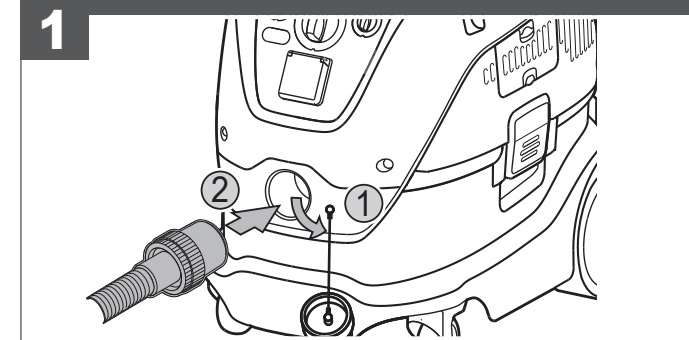




Disposal bag installation  
 Entsorgungsbeutel einsetzen  
 Installation du sac jetable  
 Installazione sacchetto smaltimento



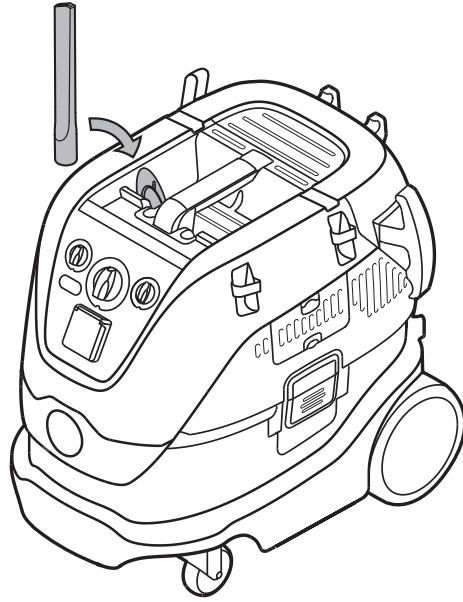
Hose insert & operations  
 Schlauch anschließen und Betrieb  
 Insertion et opérations du flexible  
 Inserimento tubo flessibile e operazioni



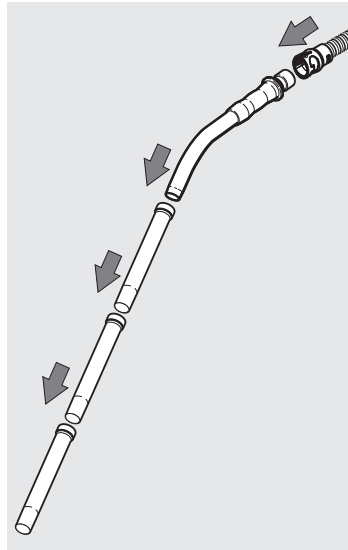
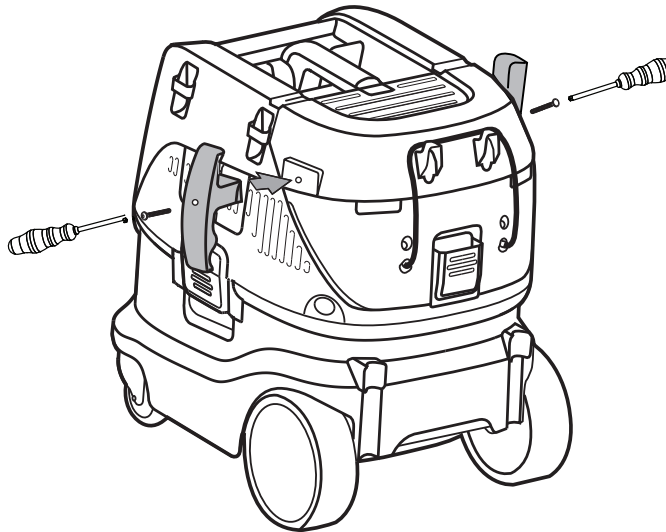


Accessories placement  
Zubehör einsetzen  
Mise en place des accessoires  
Posizionamento accessori

1

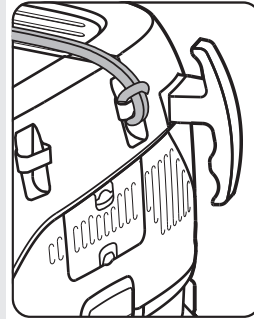
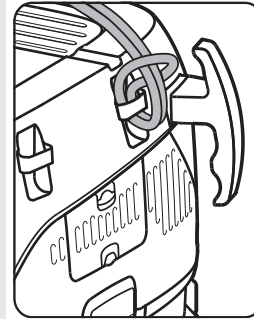


2

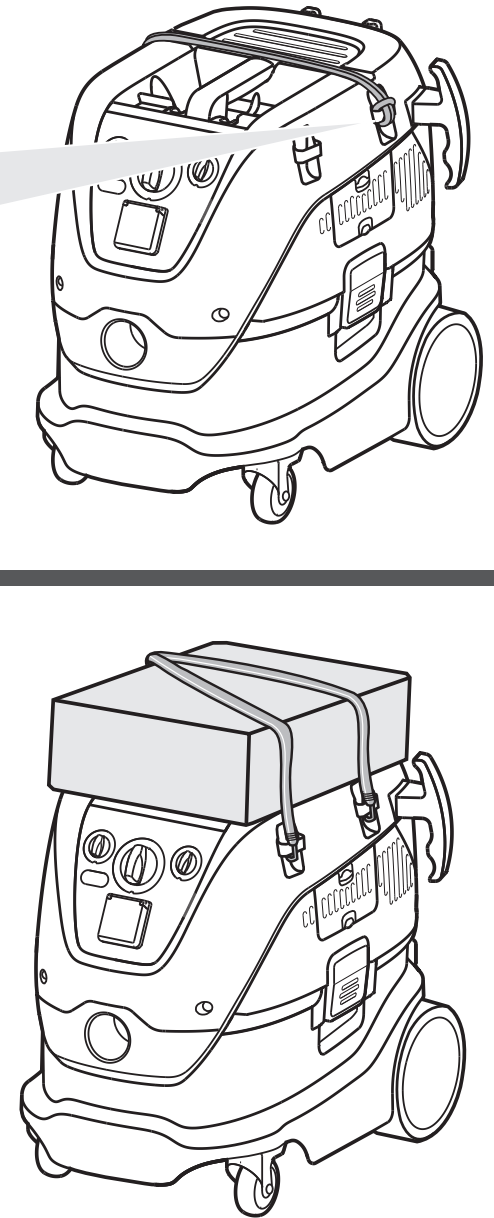


8

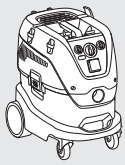
3



4

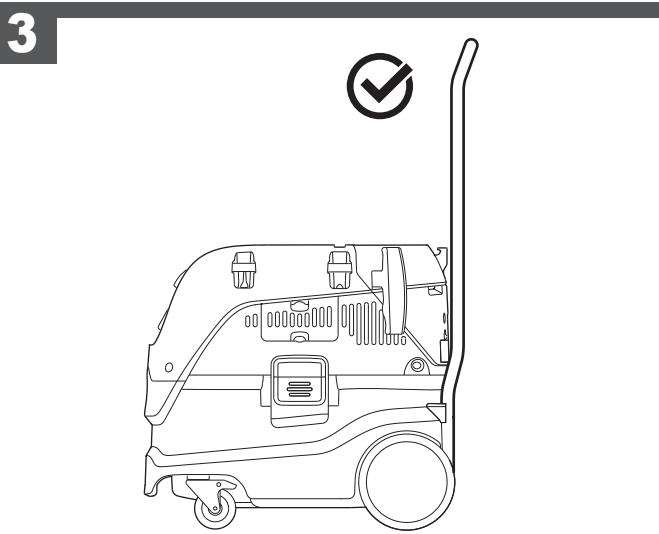
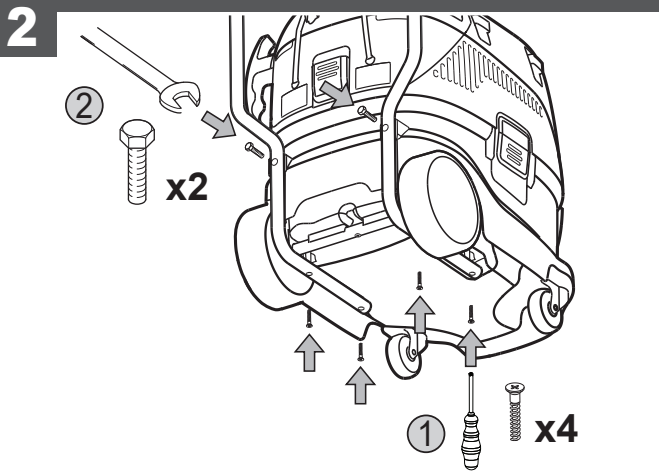
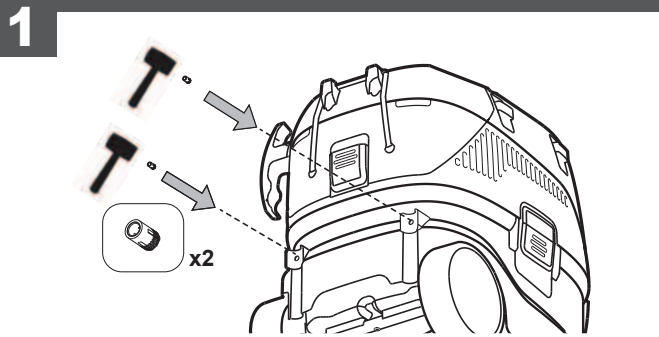


9

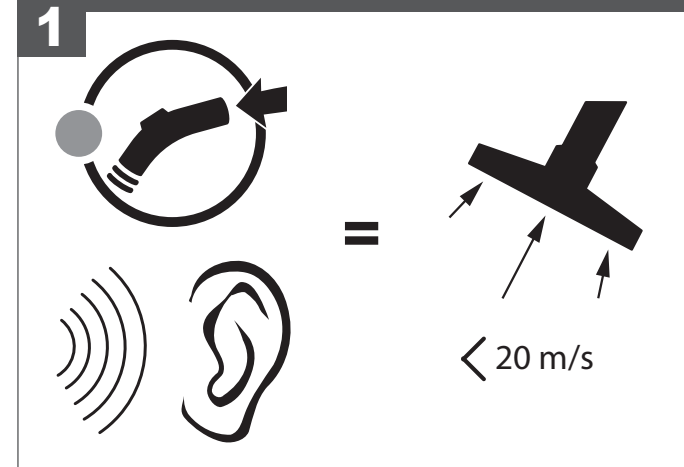


Trolley handle installation  
 Zuggriff einsetzen  
 Installation de la poignée du chariot  
 Installazione maniglia carrello

only applicable for AS-42 MAC  
 nur bei AS-42 MAC  
 uniquement sur AS-42 MAC  
 solo per AS-42 MAC

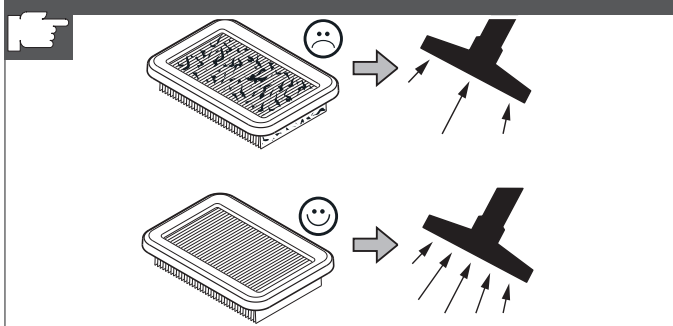


Flow rate and filter warning  
 Durchflussmenge und Filterwarnung  
 Avertissement du débit et du filtre  
 Avvertenze su portata e filtro

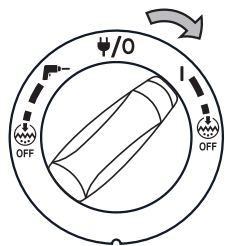




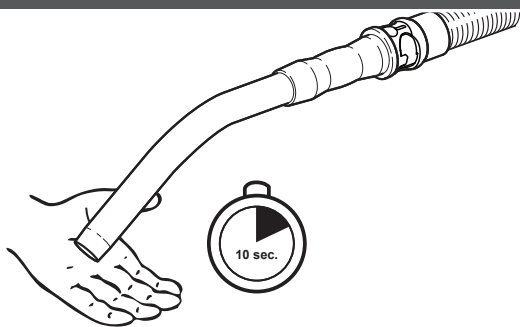
Auto-Clear filter cleaning system  
Auto-Clear Filterreinigungssystem  
Système de nettoyage de filtre Auto-Clear  
Sistema di pulizia filtro Auto-Clear



1



2

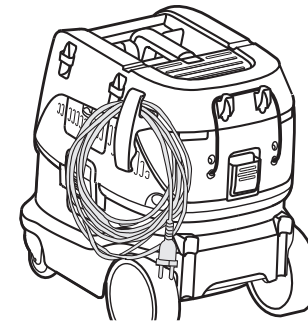


Auto-Clear

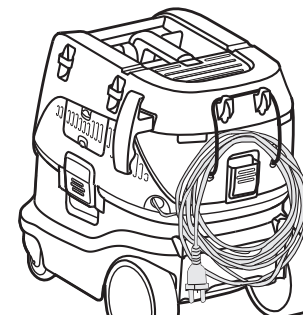


Cable and hose storage  
Kabel- und Schlauchaufbewahrung  
Rangement des câbles et des flexibles  
Immagazzinaggio cavo e tubo flessibile

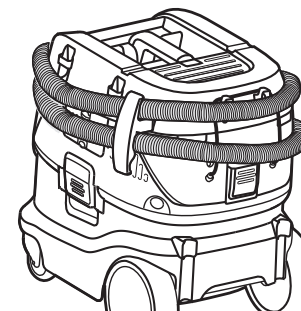
1



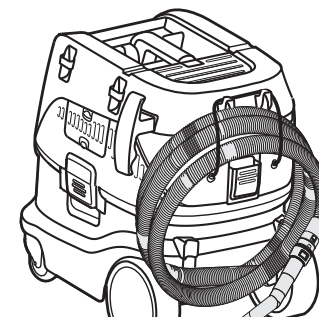
2

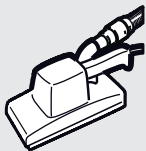


3



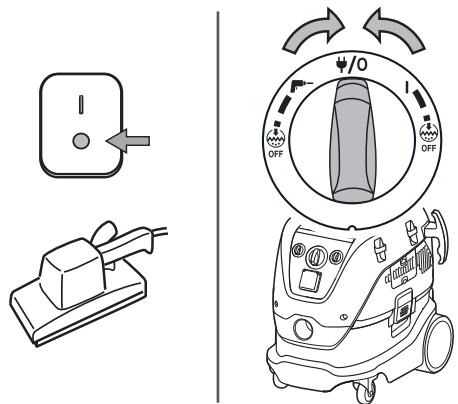
4





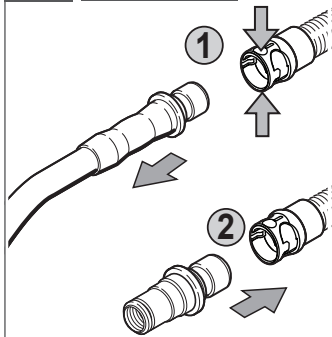
Power tool adaption  
Anschluss für Zusatzgeräte  
Adaptation de l'outil électrique  
Adattamento utensile elettrico

1

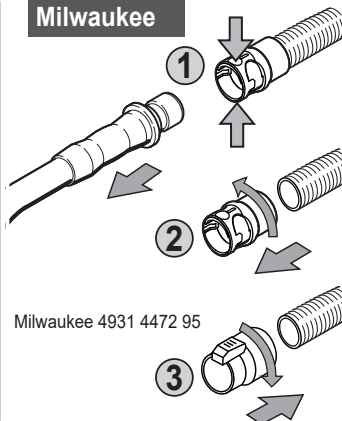


2

Standard



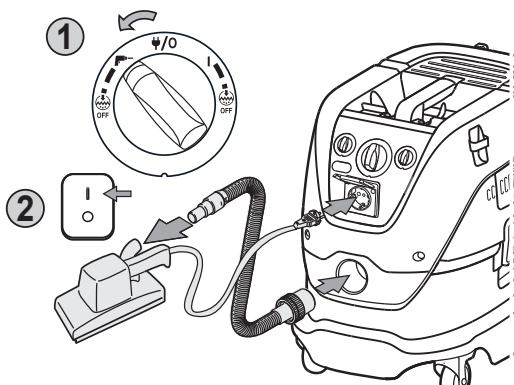
Milwaukee



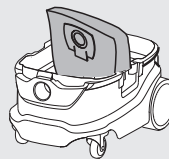
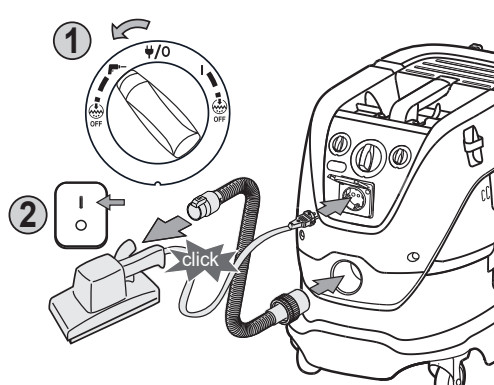
Milwaukee 4931 4472 95

3

Standard



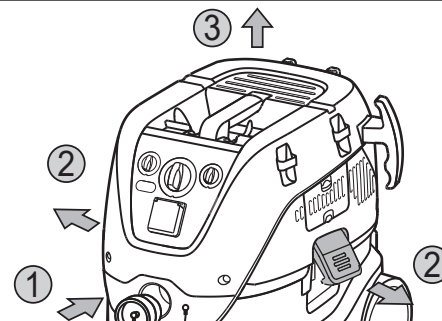
Milwaukee



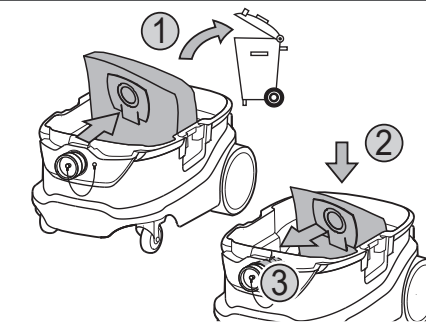
Filter bag replacement  
Filterbeutel auswechseln  
Remplacement du sac-filtre  
Sostituzione sacchetto filtro



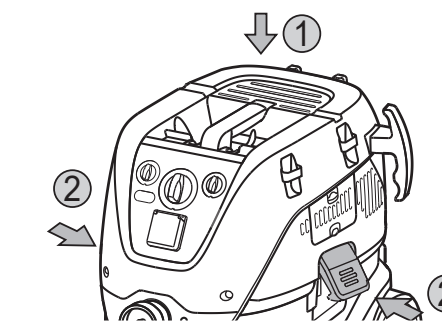
1



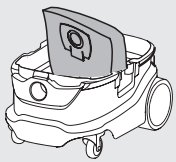
2



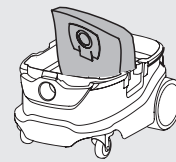
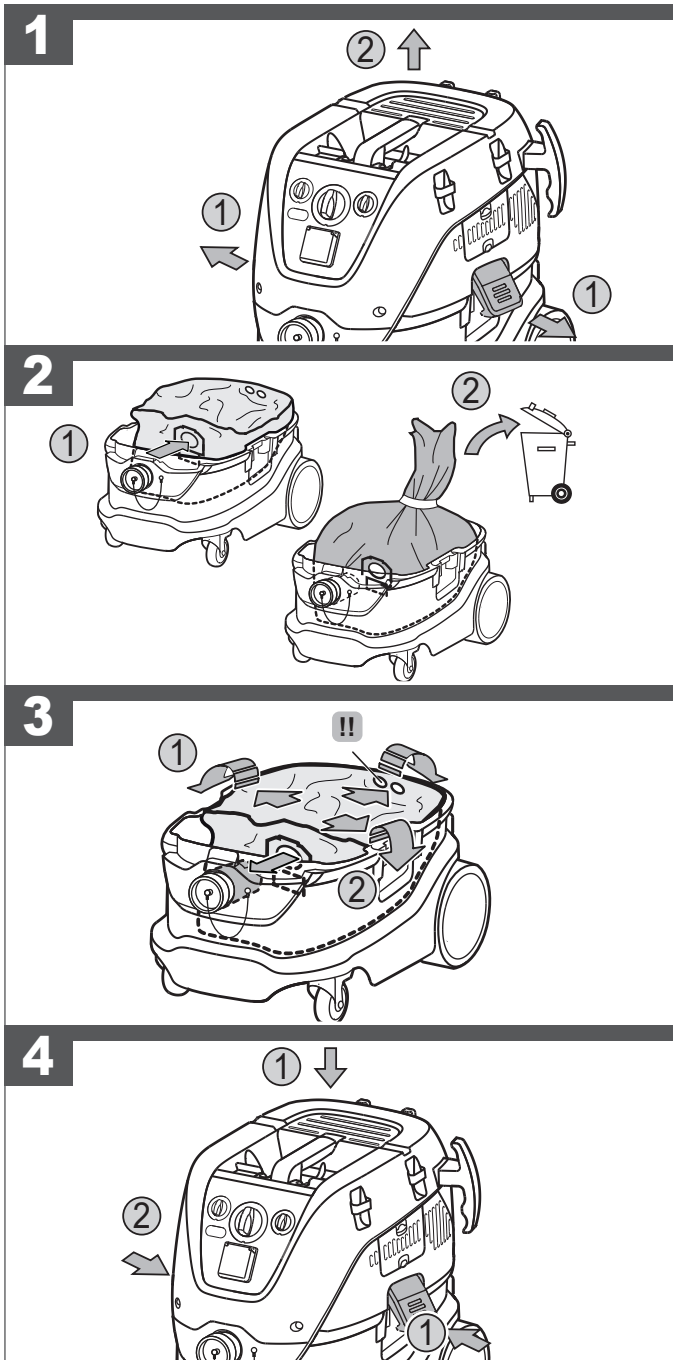
3



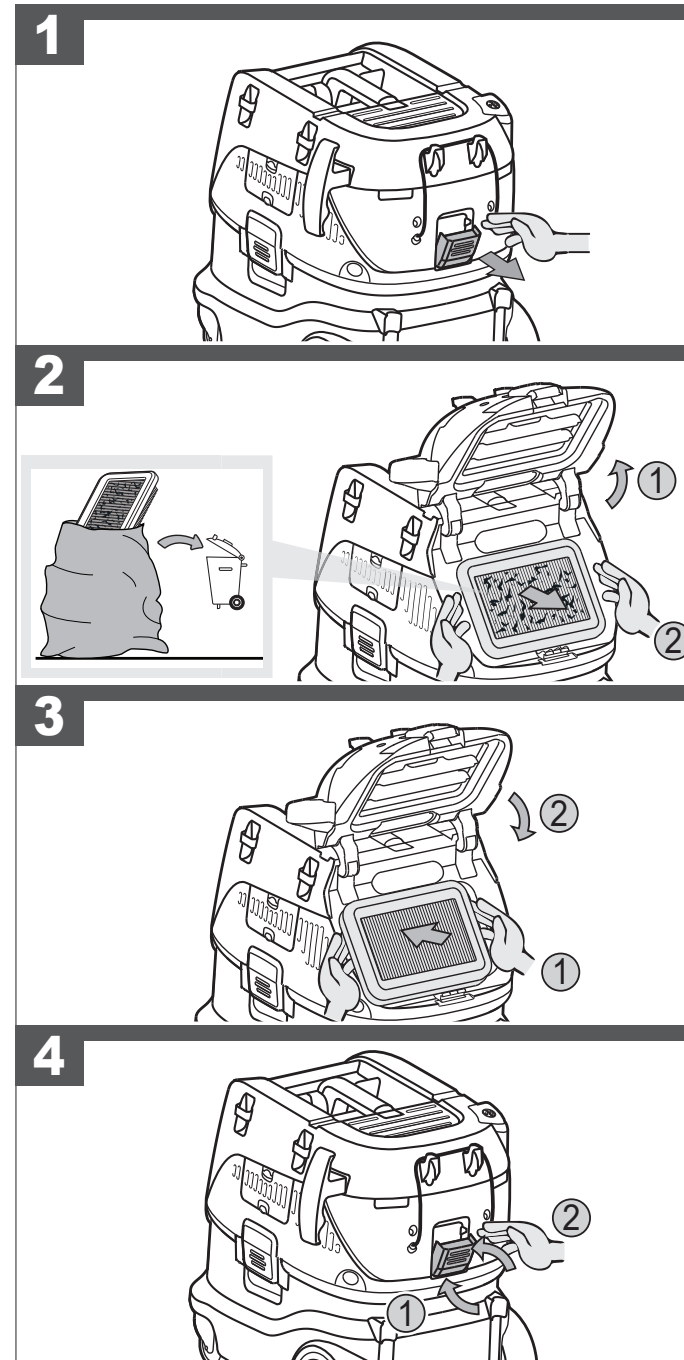


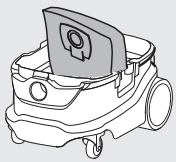


Disposal bag replacement  
 Entsorgungsbeutel auswechseln  
 Remplacement du sac jetable  
 Sostituzione sacchetto smaltimento

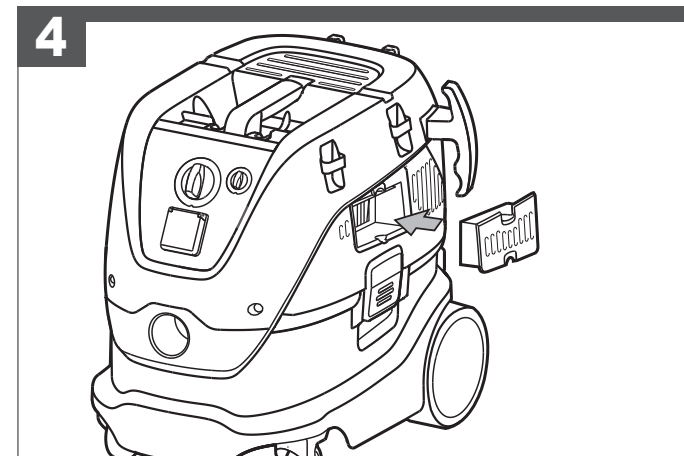
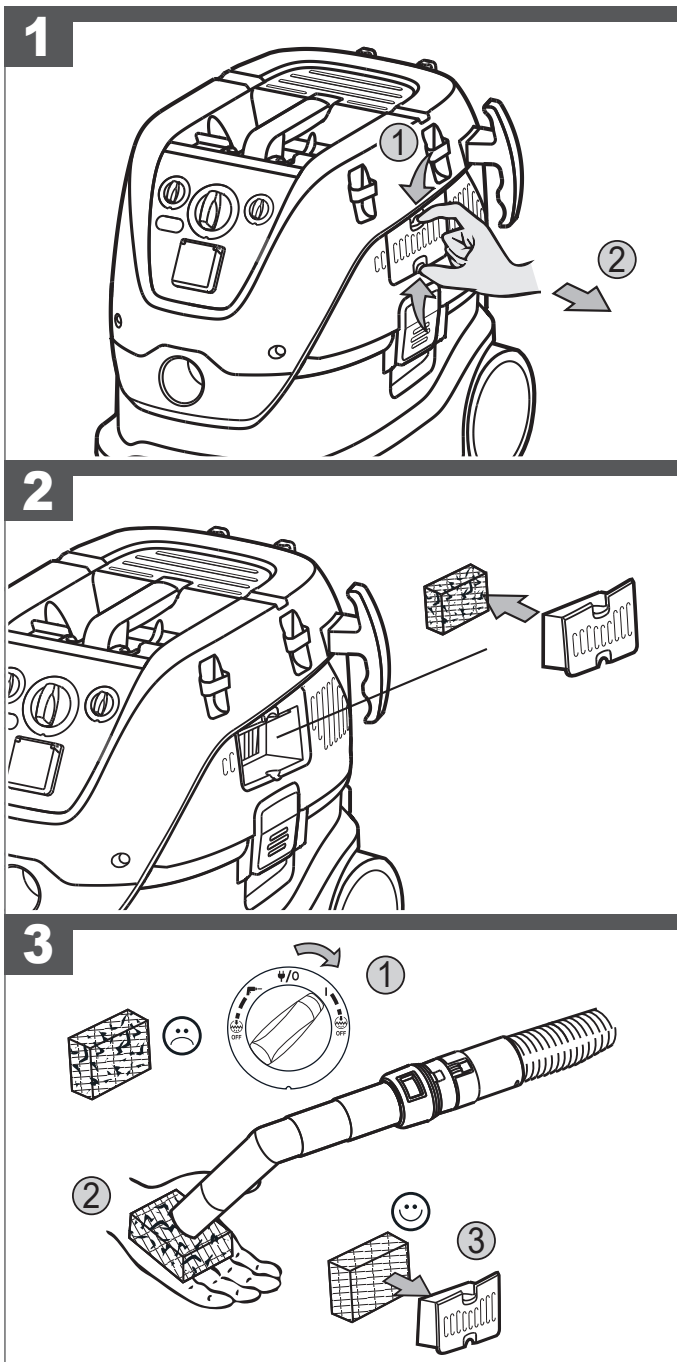


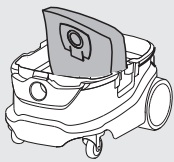
Filter replacement  
 Filteraustausch  
 Remplacement du filtre  
 Sostituzione del filtro



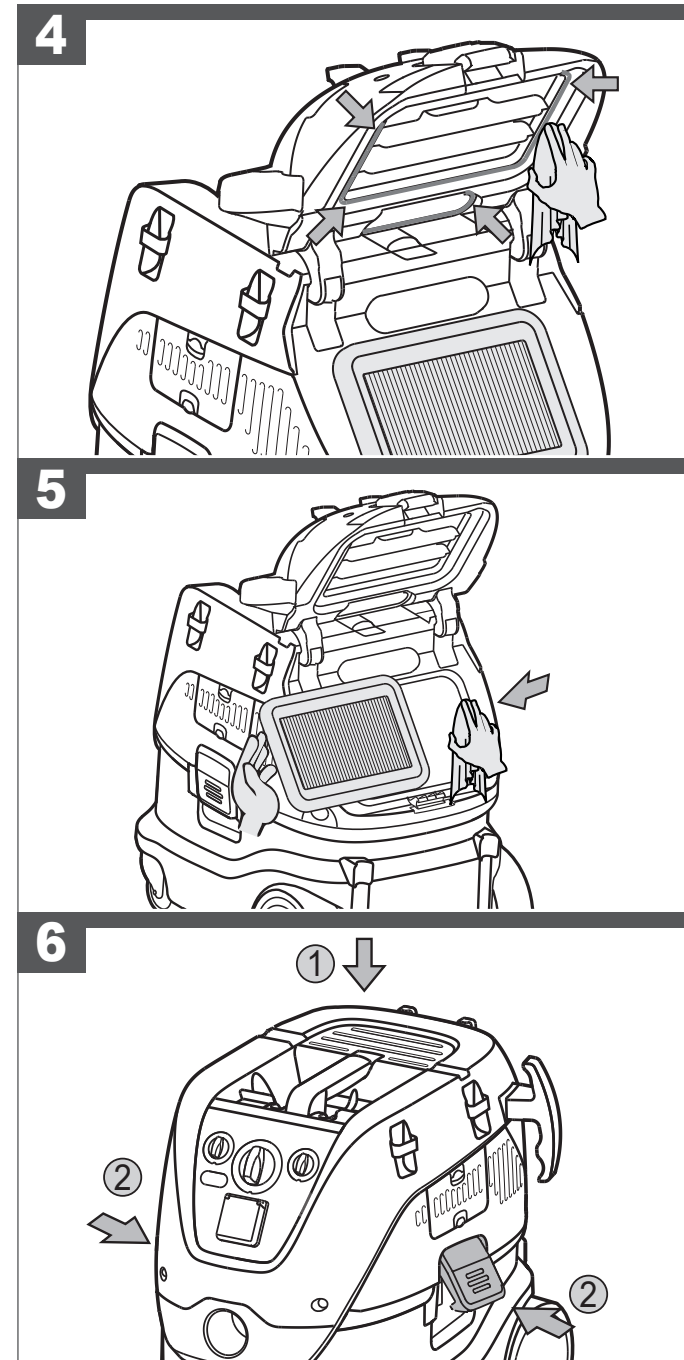
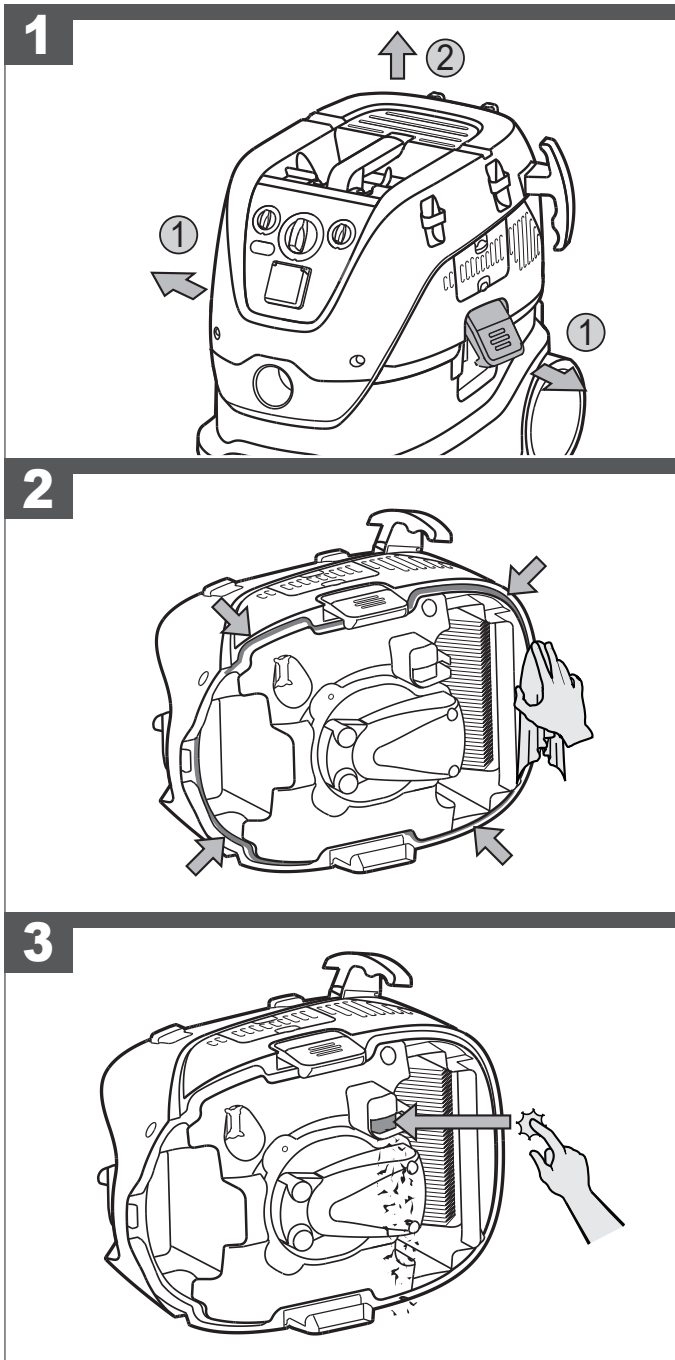


Motor cooling air diffuser cleaning  
Luftdiffusor der Motorkühlung reinigen  
Nettoyage du diffuseur à air de refroidissement du moteur  
Pulizia diffusore aria raffreddamento motore





Gaskets and floater cleaning  
Dichtungen und Schwimmer reinigen  
Nettoyage des joints et des flotteurs  
Pulizia guarnizioni e galleggianti




**TECHNICAL DATA DUST EXTRACTION**

Production code	AS-30 MAC .....	.4692 95 01...
	AS-42 MAC .....	.4693 00 01...
		..000001-999999
Volts.....		220-240 V
Mains frequency .....		50/60 Hz
Fuse.....		10 A
Safety class .....		I
Type of protection.....		IP X4
Total connected load	AS-30 MAC .....	2300 W
	AS-42 MAC .....	2300 W
Power <sub>reg</sub> .....		1200 W
Rate of air flow	AS-30 MAC .....	270 m³/h
	AS-42 MAC .....	270 m³/h
Vacuum.....		250 hPa
Sound pressure level L <sub>p</sub> IEC 60335-2-69.....		67 dB(A)
Uncertainty K.....		2 dB(A)
Vibration emission value a <sub>hw</sub> IEC 60335-2-69.....		< 2,5 m/s²
Tank volume	AS-30 MAC .....	30 l
	AS-42 MAC .....	42 l
Maximum power off-take .....		1100 W
Suction hose diameter.....		ø 36 mm
Weight according EPTA-Procedure 01/2003	AS-30 MAC .....	14,5 kg
	AS-42 MAC .....	16,0 kg
Power supply cord.....		.H05RR-F3G1,5

**OPERATING ELEMENTS**

1. Hose diameter setting
2. Appliance socket
3. Latch
4. Inlet fitting
5. Inlet cap
6. Container
7. Castor
8. Hose hook
9. Handle
10. Accessory positions
11. Speed control
12. Switch

 **WARNING!** Read all safety warnings and all instructions. Failure to follow the warnings and instructions may result in electric shock, fire and/or serious injury. Save all warnings and instructions for future reference.

**SAFETY INSTRUCTIONS**

Instructions for use

The appliance must:

- only be used by persons, who have been instructed in its correct usage and explicitly commissioned with the task of operating it
- only be operated under supervision
- This appliance is not intended for use by persons (including children) with reduced physical, sensory or mental capabilities, or lack of experience and knowledge.
- Children shall be supervised to make sure that they do not play with the appliance.
- Do not use any unsafe work techniques.
- Never use the appliance without a filter.
- Switch off the appliance and disconnect the mains plug in the following situations:
  - Prior to cleaning and servicing
  - Prior to replacing components
  - Prior to changing over the appliance

- If foam develops or liquid emerges  
 Besides the operating instructions and the binding accident prevention regulations valid in the country of use, observe recognised regulations for safety and proper use.

Before starting work, the operating staff must be informed on and trained within:

- use of the machine
- risks associated with the material to be picked up
- safe disposal of the picked up material

Purpose and intended use

This mobile dust extractor is designed, developed and rigorously tested to function efficiently and safely when properly maintained and used in accordance with the following instructions.

This machine is intended for commercial use, for example in hotels, schools, hospitals, factories, shops, offices and rental businesses.

This machine is also suitable for industrial use, such as e.g. plants, construction sites and workshops.

Accidents due to misuse can only be prevented by those using the machine.

**READ AND FOLLOW ALL SAFETY INSTRUCTIONS.**

Any other use is considered as improper use. The manufacturer accepts no liability for any damage resulting from such use. The risk for such use is borne solely by the user. Proper use also includes proper operation, servicing and repairs as specified by the manufacturer.

The air flow in Safety Vacuum systems has to be strictly controlled to achieve a minimum flow rate of V<sub>min</sub> = 20 m/s in the suction hose.

The safety label on the machine warns:  
 This appliance contains dust hazardous to health. Emptying and maintenance operations, including removal of the dust collecting means, must only be carried out by authorised personnel wearing suitable personal protection. Operate only after the full filtration system has been fitted and checked.

For dust extractors, ensure adequate air change rate H, when the exhaust air is returned to the room. Observe national regulations before use.

For Dust Class M machines (with type designation -2M) following applies:

The appliance is suitable for picking up dry, nonflammable dust, non flammable liquids, sawdust and hazardous dusts with OEL1) values > 0.1 mg/m³



Dust Class M (IEC 60335-2-69). The dusts which belong to this class are: dusts with OEL values<sup>1)</sup> ≥ 0.1 mg/m³ as well as saw dust.

The machine is tested in its entirety by vacuums for this dust class. The maximum degree of permeability is 0.1% and the disposal must be low dust.

For dust extractors, ensure adequate air change rate M, when the exhaust air is returned to the room. Observe national regulations before use.

Electrical connection

- It is recommended that the machine should be connected via a residual current circuit breaker.
- Arrange the electrical parts (sockets, plugs and couplings) and lay down the extension lead so that the protection class is maintained.
- Connectors and couplings of power supply cords and extension leads must be watertight.

Extension lead

As an extension lead, only use the version specified by the manufacturer or one of a higher quality.

When using an extension lead, check the minimum cross-sections of the cable:

Cable length	Cross section	
	< 16 A	< 25 A
up to 20 m	1.5 mm²	2.5 mm²
20 to 50 m	2.5 mm²	4.0 mm²

**Important warnings**

 **WARNING!**

To reduce the risk of fire, electric shock, or injury, please read and follow all safety instructions and caution markings before use. This machine is designed to be safe when used for cleaning functions as specified. Should damage occur to electrical or mechanical parts, the machine and / or accessory should be repaired by a competent service center or the manufacturer before use in order to avoid further damage to the machine or physical injury to the user.

Do not leave the machine when it is plugged in. Unplug from the socket

when not in use and before maintenance.

Do not use with damaged cord or plug. To unplug grasp the plug, not the cord. Do not handle plug or machine with wet hands. Turn off all controls before unplugging.

Do not pull or carry by cord, use cord as a handle, close a door on cord, or pull cord around sharp edges or corners. Do not run machine over cord. Keep cord away from heated surfaces. Keep hair, loose clothing, fingers and all parts of the body away from openings and moving parts. Do not put any objects into openings or use with opening blocked. Keep openings free of dust, lint, hair, and anything else that could reduce the flow of air.

Do not use in outside areas at low temperature.

Do not use to pick up flammable or combustible liquids such as gasoline, or use in areas where they may be present.

Do not pick up anything that is burning or smoking, such as cigarettes, matches or hot ashes.

Use extra care when cleaning on stairs.

Do not use unless filters are fitted.

If the machine is not working properly or has been dropped, damaged, left outdoors, or dropped into water, return it to a service center or dealer.

If foam or liquid escapes from the machine, switch off immediately.

The machine may not be used as a water pump. The machine is intended for vacuuming air and water mixtures.

Connect the machine to a properly earthed mains supply. The socket outlet and the extension cable must have an operative protective conductor.

Provide for good ventilation at the working place.

Do not use the machine as a ladder or step ladder. The machine can tip over and become damaged. Danger of injury.

Only use the socket outlet on the machine for purposes specified in the instructions.

## RISKS

### Electrical components

#### **⚠ DANGER!**

The upper section of the machine contains live components. Contact with live components leads to serious or even fatal injuries. Never spray water on to the upper section of the machine.

#### **⚠ DANGER!**

Electric shock due to faulty mains connecting lead. Touching a faulty mains connecting lead can result in serious or even fatal injuries.

- Do not damage the mains power lead (e.g. by driving over it, pulling or crushing it).
- Regularly check whether the power cord is damaged or shows signs of ageing.
- If the electric cable is damaged, it must be replaced by an authorized Milwaukee distributor or similar

qualified person in order to avoid a hazard.

- In no circumstances should the power supply cord be wrapped around fingers or any part of the operators person.

#### • **Hazardous dust**

#### **⚠ WARNING!**

Hazardous materials.

Vacuuming up hazardous materials can lead to serious or even fatal injuries.

The following materials must not be picked up by the machine:

- hot materials (burning cigarettes, hot ash, etc.)
- flammable, explosive, aggressive liquids (e.g. petrol, solvents, acids, alkalis, etc.)
- flammable, explosive dust (e.g. magnesium or aluminium dust, etc.)

Spare parts and accessories

#### **⚠ CAUTION!**

Spare parts and accessories.

The use of non-genuine spare parts, brushes and accessories can impair the safety and or function of the appliance.

Only use original spare parts and accessories from Milwaukee. Spare parts that can affect health and safety of the operator and or function of the appliance, are specified below:

Description	Order No.
Flat filter PTFE, 1 pcs.	4932 4596 87
Fleece filter bag, 5 pcs.	4932 459689
Disposal bag, 5 pcs.	4932 4596 90
Motor cooling air filter PET, 1 pcs.	4932 4596 88

In explosive or inflammable atmosphere

#### **⚠ CAUTION!**

This machine is not suitable for use in explosive or inflammable atmospheres or where such atmospheres are likely to be produced by the presence of volatile liquid or inflammable gas or vapour.

### CONTROL / OPERATION

#### **⚠ CAUTION!**

Damage due to unsuitable mains voltage.

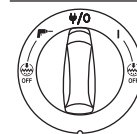
The appliance can be damaged as a result of being connected to an unsuitable mains voltage.

- Ensure that the voltage shown on the rating plate corresponds to the voltage of the local mains power supply.

Starting and operating of the machine

Check that the electrical switch is switched off (in position 0). Check that suitable filters are installed in the machine. Then connect the suction hose into the suction inlet at the machine by pushing the hose forward until it fits firmly in place at the inlet. Then connect the tubes with the hose handle, twist the tubes in order to ensure that they are properly fitted. Attach suitable nozzle to the tube. Choose nozzle depending on what type of material that is to be picked-up. If used for dust extraction in connection

with dust producing tool then connect end of suction hose with appropriate adapter. Connect the plug into a proper electrical outlet. Put the electrical switch into position I in order to start the motor.



Turn I: Activate the machine

Turn  $\Psi/O$ : Stop the machine.

Permanent power on socket. Turn  $\text{I} \rightarrow$ : Activate Auto-On/Off operation.

Turn I+  $\text{I} \rightarrow$  Off: Activate the machine with deactivated auto-matic filter cleaning function

Turn  $\text{I} \rightarrow$  +  $\text{I} \rightarrow$  Off: Activate Auto-On/Off operation with deactivated automatic filter cleaning function. Speed control operation on separate turning knob

The hose diameter and the setting for suction hose diameter must be the same.

ø21	ø21
ø27	ø27
ø32	ø32
ø36	ø36
ø38	ø38

Auto-On/Off socket outlet for power tools

#### **⚠ CAUTION!**

Appliance socket.

The appliance socket is designed for electrical auxiliary equipment; see technical data for reference.

- Prior to plugging in an appliance, always switch off the machine and the appliance that is to be connected.
- Read the operating instructions to the appliance to be connected and observe the safety notes contained in these.

An appliance socket with earthing contact is integrated in the machine. An external power tool can be connected there. The socket features permanent power on, when the electrical switch is in position  $\Psi/O$ , i.e. the machine can be used as an extension cord.

In position  $\text{I} \rightarrow$  the machine can be switched on and off by the power tool connected. Dirt is picked up from the source of dust immediately. To comply with regulations, only approved dust producing tools should be connected.

The maximum power consumption of the connected electrical appliance is stated in section "Specifications".

Before turning the switch to position  $\text{I} \rightarrow$  ensure that the tool connected to the appliance socket is switched off.

Auto-Clear

The "IC" machine is equipped with an automatic filter cleaning system, Auto-Clear. A frequent cleaning cycle will automatically run during operation to ensure that suction performance is always at its best.

If suction performance decreases or in extensive dust applications a manually filter cleaning operation is recommended:

- Switch off the machine
- Close the nozzles or suction hose opening with the palm of your hand.
- Turn the switch to position „I“ and let the machine operate at full speed for approx. 10 seconds with the suction hose opening closed.

If suction power is still reduced take out the filter and clean mechanically or replace filter.

For certain applications, like wet pick up, it is recommended to turn off the automatic filter cleaning system. For details see chapter Starting and operating of the machine.

Flow rate warning

#### **⚠ CAUTION!**

Check that all the filters are present and properly fitted.

The machine is equipped with a system to monitor air velocity and Dust Class H filter condition<sup>1</sup>. Before picking up dust with occupational exposure limit values, check the volume flow monitor.

When the motor is running, hold the suction hose shut to reduce the volume flow. The LED indicator on front panel will light after approx. 1 second. The acoustic warning sounds after some additional seconds.

Set the diameter setting to the actual hose size.

- When LED indicator lights, air velocity is below 20 m/s.
- check if container or filter bag is full.
- check if air flow is reduced in suction hose, tube/nozzle, filter.

Antistatic connection

#### **⚠ CAUTION**

The machine is equipped with an antistatic system to discharge any static electricity that may develop during dust pick-up.

The antistatic system is placed in front part of the motor top and creates an earth ground connection to the inlet fitting of the container. For proper function the use of an electrical conductive or antistatic suction hose is recommended. When inserting the optional disposal bag make sure the antistatic connection is kept.

Cooling air filter

To protect the electronics and motor, the machine is equipped with a cooling air diffuser. Clean the cooling air diffuser regularly.

For areas with a high concentration of fine dust in the surrounding air it is recommended to equip the machine with an optional cooling air filter cartridge to prevent dust from settling inside the air channels and motor. Contact your local sales representative.

#### **⚠ CAUTION!**

If cooling air filter is clogged by dust the overload protection switch in the motor can be activated. In such case switch off the machine, clean cooling air filter and allow machine to cool for approx. 5 minutes.

Wet pick-up

#### **⚠ CAUTION!**

The machine is equipped with a water level limit system which shuts off the machine when the maximum liquid level is reached.

When this occurs, switch off the machine. Disconnect the machine from the socket and empty the container. Never pick up liquids without the water level limit system and filter in place.

Picking up liquids.

- Do not pick up flammable liquids
- Before liquids are picked up, always remove the filter bag/wastebag and check that the water level limit works properly.
- If foam appears, stop work immediately and empty the tank.
- Clean the water level limiting device regularly and check for signs of damage.

Before emptying the container, unplug the machine. Disconnect the hose from the inlet by pulling out the hose. Release the latch by pulling them outwards so that the motor top is released. Lift up the motor top from container. Always empty and clean the container and water level limit system after picking-up liquids.

Empty by tilting the container backwards or sideways and pour the liquids into a floor drain or similar.

Put back the motor top to the container. Secure the motor top with the latches.

Heavy maneuvers can, by mistake, trigger the water level limiting device. Should this happen; turn off the machine and wait for 3 seconds to reset the device. Continue to operate the machine afterwards.

Dry pick-up

#### CAUTION!

Picking up environmentally hazardous materials.

Materials picked up can present a hazard to the environment.

- Dispose of the dirt in accordance with legal regulations.

Remove the electrical plug from the socket before emptying after dry pick-up. Remove the suction hose from the machine and close the inlet cap, to avoid harmful dust spreading. Release the latch by pulling them outwards so that the motor top is released. Lift up the motor top from container.

Main Filter: check the filter. To clean the filter you can either brush or wash it. Wait until the filter is dry before re-starting dust pick-up.

Dustbag: check bag to ensure the fill factor. Replace dust bag if necessary. Remove the old bag. The new bag is fitted by passing the cardboard piece with the rubber membrane through the vacuum inlet. Make sure that the rubber membrane is passing past the heightening at the vacuum inlet.

Safety filter bag: check bag to ensure the fill factor. Replace dust bag if necessary. Wear mask and protective clothing when removing the old bag. Carefully remove the dust bag connection from the inlet fitting. Close the dust bag connection with the slide. Dispose of the dirt in accordance with legal regulations.

After emptying: close motor top to the container and secure the motor top with the latches. Never pick up dry material without filter fitted in the machine. The suction efficiency of the machine depends on the size and quality of the filter and dust bag. Therefore - use only Original filter and dust bags.

#### AFTER USING THE MACHINE

After use

Remove the plug from the socket when machine is not in use. Wind up the cord starting from the machine. The power cord can be wound up around the motor top or at the container or placed in the included hook, or fastening means. Some variants have special storage places for accessories.

Transport

- Before transporting the machine, close all the latches.
- Do not tilt the machine if there are liquids in the dirt tank.
- Do not use a crane hook to lift the machine.
- Do not lift the machine by the trolley handle
- Storage

#### CAUTION!

Store the appliance in a dry place, protected from rain and frost. The machine shall be stored indoors only.

Accessory and tool storage

For convenient transport and storage of accessories or tools, integrated rails are found on side of machine which allows fastening with straps or other means. A flexible strap and hooks are included on back of machine for attachment of suction hose or mains cable. For instruction see quick reference guide.

An optional adapter plate with attachment system can be installed on top of machine for fastening of 2-point or 4-point storage cases.

Remove the electrical plug from the socket before installing the adapter plate.

#### CAUTION!

Do not lift machine in adapter plate without having storage case safely installed. Note the weight and balance of the appliance in case of storage. Maximum weight of storage cases is 30 kg.

Recycling the machine

Make the old machine unusable.

1. Unplug the machine.
2. Cut the power cord.
3. Do not discard of electrical appliances with household waste.



As specified in European Directive 2012/19/EU on old electrical and electronic appliances, used electrical goods must be collected separately and recycled ecologically.

#### MAINTENANCE

Regular servicing and inspection

Regular servicing and inspection of your machine must be carried out by suitably qualified personnel in accordance with relevant legislation and regulations. In particular, electrical tests for earth continuity, insulation resistance, and condition of the flexible cord should be checked frequently.

In the event of any defect, the machine MUST be withdrawn from service, completely checked and repaired by an authorized service technician.

At least once a year, a Milwaukee technician or an instructed person must perform a technical inspection including filters, air tightness and control mechanisms.

Maintenance

Remove the plug from the socket before performing maintenance. Before using the machine make sure that the frequency and voltage shown on the rating plate correspond with the mains voltage.

The machine is designed for continuous heavy work. Depending on the number of running hours – the dust filter should be renewed. Keep the machine clean with a dry cloth, and a small amount of spray polish.

During maintenance and cleaning, handle the machine in such a manner that there is no danger for maintenance staff or other persons.

In the maintenance area

- Use filtered compulsory ventilation
- Wear protective clothing
- Clean the maintenance area so that no harmful substances get into the surroundings.

CAUTION Clean the water level limiting device regularly and examine it for signs of damage.

Use only Milwaukee accessories and Milwaukee spare parts. Should components need to be replaced which have not been described, please contact one of our Milwaukee service agents (see our list of guarantee/service addresses).

If needed, an exploded view of the tool can be ordered. Please state the machine type printed as well as the six-digit No. on the

label and order the drawing at your local service agents or directly at: Techtronic Industries GmbH, Max-Eyth-Straße 10, 71364 Winnenden, Germany.

#### EU DECLARATION OF CONFORMITY

We declare under our sole responsibility that the product described under "Technical Data" fulfills all the relevant provisions of the directives 2011/65/EU (RoHS), 2014/30/EU, 2006/42/EC and the following standards have been used:

EN 60335-1:2012+A11:2014  
 EN 60335-2-69:2012  
 EN 55014-1:2006+A1:2009+A2:2011  
 EN 55014-2:2015  
 EN 61000-3-2:2014  
 EN 61000-3-3:2013  
 EN 50581:2012

Winnenden, 2017-02-06



Alexander Krug  
 Managing Director



Authorized to compile the technical file.

Techtronic Industries GmbH  
 Max-Eyth-Straße 10  
 71364 Winnenden  
 Germany

#### SYMBOLS



CAUTION! WARNING! DANGER!



Always disconnect the plug from the socket before carrying out any work on the machine.



Please read the instructions carefully before starting the machine.



Do not dispose of electric tools together with household waste material. Electric tools and electronic equipment that have reached the end of their life must be collected separately and returned to an environmentally compatible recycling facility. Check with your local authority or retailer for recycling advice and collection point.



Dust Class M (IEC 60335-2-69). The dusts which belong to this class are: dusts with OEL values<sup>1)</sup> > 0.1 mg/m<sup>3</sup> as well as saw dust.



European Conformity Mark

## TECHNISCHE DATEN ABSAUGSYSTEM

Produktionsnummer	
AS-30 MAC	..4692 95 01...
AS-42 MAC	..4693 00 01...
	..000001-999999
Spannung	... 220-240 V
Netzfrequenz	... 50/60 Hz
Sicherung	... 10 A
Schutzklasse	... I
Schutzart	... IP X4
Gesamtanschlusswert	
AS-30 MAC	.....2300 W
AS-42 MAC	.....2300 W
Leistung <sub>ec</sub>	.....1200 W
Luftstrom	
AS-30 MAC	.....270 m³/h
AS-42 MAC	.....270 m³/h
Vacuum	.....250 hPa
Schalldruckpegel	.....67 dB(A)
Unsicherheit K=	.....2 dB(A)
Schwingungsemissionswert	..... < 2,5 ms <sup>-2</sup>
Schmutzbehältervolumen	
AS-30 MAC	.....30 l
AS-42 MAC	.....42 l
Gerätesteckdose max.	.....1100 W
Saugschlauchdurchmesser	..... ø 36 mm
Gewicht nach EPTA-Prozedur 01/2003	
AS-30 MAC	.....14,5 kg
AS-42 MAC	.....16,0 kg
Netzkabel	..H05RR-F3G1,5

## BEDIELEMENTE

1. Einstellung Schlauchdurchmesser
2. Zubehörstecker
3. Verschluss
4. Einlassstutzen
5. Behälter
6. Lenkrollen
7. Schlauchhaken
8. Griff
9. Zubehörfach
10. Geschwindigkeitsregler
11. Schalter

**⚠️** **WARNUNG! Lesen Sie alle Sicherheitshinweise und Anweisungen.** Versäumnisse bei der Einhaltung der Sicherheitshinweise und Anweisungen können elektrischen Schlag, Brand und/oder schwere Verletzungen verursachen. **Bewahren Sie alle Sicherheitshinweise und Anweisungen für die Zukunft auf.**

## ⚠️ SPEZIELLE SICHERHEITSHINWEISE

### Bedienungsanleitung

Das Gerät darf

- nur von Personen eingesetzt werden, die in der korrekten Anwendung unterwiesen und explizit mit der Bedienung beauftragt wurden
- nur unter Aufsicht betrieben werden
- Dieses Gerät darf nicht von Personen (einschließlich Kindern) mit körperlichen oder geistigen Einschränkungen oder ohne ausreichende Erfahrungen und Kenntnisse benutzt werden.
- Kinder müssen beaufsichtigt werden, um sicherzustellen, dass sie nicht mit dem Gerät spielen.
- Keine unsicheren Arbeitsmethoden einsetzen.
- Verwenden Sie das Gerät niemals ohne Filter.
- In den folgenden Situationen das Gerät ausschalten und den Netzstecker ziehen:
  - Vor Reinigung und Wartung
  - Vor dem Auswechseln von Teilen

- Vor Änderungen am Gerät
  - Falls sich Schaum entwickelt oder Flüssigkeit austritt
- Neben dieser Anleitung und den Bestimmungen zur Unfallverhütung in Ihrem Land sind auch die Bestimmungen zur Sicherheit und verantwortungsvollen Nutzung zu beachten.

Das Bedienpersonal des Gerätes ist vor der Arbeit zu informieren über:

- die Handhabung des Geräts
- vom aufzusaugenden Material ausgehende Gefahren
- die sichere Beseitigung des aufgesaugten Materials

### Zweck und bestimmungsgemäße Verwendung

Dieser mobile Staubsauger wurde konstruiert, entwickelt und sorgfältig getestet, damit er effizient und sicher arbeitet, wenn er korrekt gewartet und gemäß den folgenden Anweisungen benutzt wird.

Dieses Gerät ist ausschließlich für die kommerzielle Nutzung, beispielsweise in Hotels, Schulen, Krankenhäusern, Fabriken, Geschäften, Büros oder im Verleihschäft geeignet.

Das Gerät ist auch für den industriellen Einsatz wie in Fabriken, auf Baustellen und in Werkstätten geeignet.

Unfälle aufgrund missbräuchlicher Benutzung können nur durch die Benutzer verhindert werden.

### ALLE SICHERHEITSHINWEISE LESEN UND BEACHTEN.

Jedliche andere Verwendung gilt als unsachgemäße Verwendung. Der Hersteller übernimmt keinerlei Haftung für Schäden aus einer solchen Nutzung. Das Risiko für solche Nutzung obliegt allein dem Benutzer. Die zweckmäßige Verwendung beinhaltet den korrekten Betrieb sowie regelmäßige Wartung und Reparatur gemäß Anleitung des Herstellers.

Der Luftstrom im Sicherheitsdrucksystem muss genau kontrolliert werden, um eine minimale Luftgeschwindigkeit von  $v_{min} = 20$  m/s im Saugschlauch zu erreichen.

Der Sicherheitsaufkleber auf der Maschine enthält folgende Warnhinweise:  
Dieses Gerät enthält die gesundheitlich gefährdenden Staub. Entleerung und Wartungsarbeiten, einschließlich Entfernen des Staubsammlers, dürfen nur durch Befugte durchgeführt werden, die dabei geeignete Schutzkleidung tragen. Der Betrieb darf nur erfolgen, wenn zuvor die komplette Filteranlage eingebaut und geprüft wurde.

Beim Einsatz von Entstaubern muss auf eine ausreichende Luftaustauschrate geachtet werden, wenn die Abluft des Saugers in den Raum geblasen wird. Bitte befolgen Sie die in Ihrem Land gültigen Vorschriften.

Für Geräte mit Staubklasse M (mit Typbezeichnung -2M) gilt Folgendes:

trockenen, nicht brennbaren Stäuben, nicht brennbaren Flüssigkeiten, Holzstäuben und gesundheitsgefährlichen Stäuben mit  $MAK\text{-}Werten^1) > 0,1$  mg/m<sup>3</sup>



Staubklasse M (IEC 60335-2-69). Zu dieser Staubklasse gehören Stäube mit  $MAK\text{-}Werten^1) > 0,1$  mg/m<sup>3</sup> sowie Holzstaub.

Sauger dieser Staubklasse werden als Gesamtgerät geprüft. Der maximale Durchlassgrad beträgt 0,1 %, die Entsorgung muss staubarm erfolgen.

Beim Einsatz von Entstaubern muss auf eine ausreichende Luftaustauschrate M geachtet werden, wenn die Abluft des Saugers in den Raum geblasen wird. Bitte befolgen Sie die in Ihrem Land gültigen Vorschriften.

### Elektrischer Anschluss

- Wir empfehlen den Anschluss des Staubsaugers über einen Fehlerstrom-Schutzschalter.
- Die elektrischen Teile (Steckdosen, Stecker und Verbindungen und Verlängerungskabel) so anordnen, dass die Schutzklasse eingehalten wird.
- Anschlüsse und Verbindungen von Stromkabeln und Verlängerungskabeln müssen wasserdicht sein.

### Verlängerungskabel

Nur Verlängerungskabel mit den vom Hersteller angegebenen oder höheren Spezifikationen verwenden.

Bei Verwendung von Verlängerungskabeln den Mindestdurchmesser beachten:

Kabellänge	Kabelquerschnitt	
	<16 A	< 25 A
< 20 m	1,5 mm <sup>2</sup>	2,5 mm <sup>2</sup>
20 - 50 m	2,5 mm <sup>2</sup>	4,0 mm <sup>2</sup>

## Wichtige Warnhinweise

### ⚠️ WARNUNG!

Um die Gefahr von Feuer, Stromschlag oder Verletzungen zu verringern, lesen und befolgen Sie bitte vor dem Gebrauch alle Sicherheitshinweise und kennzeichnen. Dieses Gerät ist so konstruiert, dass es sicher ist, wenn es für die angegebenen Reinigungsfunktionen verwendet wird. Bei Beschädigung von elektrischen oder mechanischen Teilen muss das Gerät bzw. das Zubehör von einer qualifizierten Servicewerkstatt oder dem Hersteller repariert werden, bevor das Gerät wieder

benutzt wird, damit weitere Schäden am Gerät und Verletzungen der Benutzer vermieden werden.

Das Gerät nicht verlassen, wenn es angeschlossen ist. Bei Nichtgebrauch und vor Wartungsarbeiten den Netzstecker ziehen.

Das Gerät nicht benutzen, wenn das Zuleitungskabel oder der Netzstecker beschädigt sind. Zum Herausziehen des Steckers aus der Steckdose am Stecker ziehen, nicht am Kabel. Den Stecker oder das Gerät nicht mit nassen Händen anfassen. Vor dem Herausziehen des Netzsteckers den Staubsauger ausschalten.

Das Gerät nicht am Kabel hinter sich herziehen oder am Kabel tragen. Das Kabel nicht als Griff benutzen. Darauf achten, dass das Kabel nicht eingeklemmt oder um scharfe Ecken oder Kanten gezogen wird. Mit dem Gerät nicht über das Kabel fahren. Darauf achten, dass das Kabel nicht mit heißen Oberflächen in Berührung kommt.

Haare, lose Kleidungsstücke und Körperteile nicht in die Nähe von Öffnungen oder beweglichen Teilen des Geräts bringen. Das Gerät nicht einsetzen, falls eine der Öffnungen blockiert ist und keine Gegenstände in die Öffnungen stecken. Die Öffnungen frei halten von Staub, Fusseln, Haaren und sonstigem Material, das den Luftstrom hemmen könnte.

Nicht in Außenbereichen bei niedrigen Temperaturen verwenden.

Keine entzündlichen oder brennbaren Flüssigkeiten wie Benzin aufsaugen. Nicht in Bereichen verwenden, wo solche Flüssigkeiten vorhanden sein können.

Keinesfalls rauchende oder brennende Gegenstände (wie z. B. Zigaretten, Zündhölzer, heiße Asche) aufsaugen.

Bei der Reinigung auf Treppen besonders vorsichtig sein.  
Nur verwenden, wenn die Filter eingesetzt sind.

Wenn das Gerät nicht richtig funktioniert, es heruntergefallen oder beschädigt ist, wenn es im Freien gestanden hat oder ins Wasser gefallen ist, muss es zu einer Servicewerkstatt oder einem Händler gebracht werden.

Das Gerät bei Schaumentwicklung oder Austritt von Flüssigkeit sofort ausschalten.

Das Gerät darf nicht als Wasserpumpe verwendet werden. Das Gerät ist dafür geeignet, ein Luft-Wasser-Gemisch aufzusaugen.

Das Gerät an einem ordnungsgemäß geerdeten Netzanschluss anschließen. Steckdose und Verlängerungskabel müssen über einen funktionsfähigen Schutzleiter verfügen.

Am Arbeitsplatz für ausreichende Lüftung sorgen.

Das Gerät nicht als Tritt oder Leiter benutzen. Das Gerät könnte dabei umkippen und beschädigt werden. Verletzungsgefahr.

Die Steckdose am Gerät nur für die dafür in der Anleitung angegebenen Zwecke verwenden.

## GEFAHRENHINWEISE

### Elektrische Teile

#### **A** GEFAHR!

Das Oberteil des Geräts enthält Teile, die unter Strom stehen.

Kontakt mit Teilen, die unter Strom stehen, kann zu schweren oder sogar tödlichen Verletzungen führen.

Niemals Wasser auf den oberen Teil des Geräts sprühen.

#### **A** GEFAHR!

Stromschlag durch defektes Stromkabel.  
Das Berühren eines defekten Stromkabels kann zu schweren oder sogar tödlichen Verletzungen führen.

- Das Stromkabel nicht beschädigen (nicht belasten, ziehen oder knicken).
- Regelmäßig prüfen, ob das Stromkabel beschädigt ist oder Zeichen von Alterung aufweist.
- Wenn das elektrische Kabel beschädigt ist, muss es von einem autorisierten Milwaukee Händler oder einer anderen qualifizierten Person ersetzt werden, um Gefahren vorzubeugen.
- Keinesfalls das Stromkabel um die Finger oder andere Körperteile wickeln.

### Gefährlicher Staub

#### **A** GEFAHR

Gefahrstoffe.

Das Aufsaugen von Gefahrenstoffen kann zu schweren oder sogar tödlichen Verletzungen führen.

- Die folgenden Stoffe dürfen mit diesem Gerät nicht aufgenommen werden:
- heiße Materialien (brennende Zigaretten, glühende Asche usw.)
- entflammbar, explosive oder aggressive Flüssigkeiten (z. B. Benzin, Lösungsmittel, Säuren, Basen usw.)
- entflammbarer, explosiver Staub (z. B. Magnesium- oder Aluminiumstaub usw.)

### Ersatzteile und Zubehör

#### **A** Vorsicht

Ersatzteile und Zubehör.

Die Verwendung von nicht originalen Ersatzteilen und Zubehör kann die Sicherheit des Geräts beeinträchtigen.

Nur Original-Ersatzteile und Zubehör von Milwaukee verwenden. Ersatzteile, die für die Arbeitssicherheit des Bedieners oder die Funktion des Geräts von Bedeutung sind, sind im Folgenden angegeben:

Beschreibung	Bestell-Nr.
Flachfilter PTFE, 1 Stück.	4932 4596 87
Vliesfilterbeutel, 5 Stück.	4932 459689
Entsorgungsbeutel, 5 Stück.	4932 4596 90
Luftfilter für Motorkühlung, 1 Stück.	4932 4596 88

### Explosionsgefährdete oder entflammare Umgebungen

#### **A** Vorsicht

Dieses Gerät ist nicht geeignet für die Verwendung in explosionsgefährdeten oder entflammaren Umgebungen oder in solchen Umgebungen, in denen durch flüchtige Flüssigkeiten oder entflammare Gase oder Dämpfe solche Gefahren entstehen können.

### BEDIENUNG UND BETRIEB

#### **A** Vorsicht

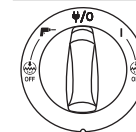
Beschädigung durch falsche Netzspannung.

Wenn das Gerät an eine falsche Netzspannung angeschlossen wird, kann es beschädigt werden.

- Achten Sie darauf, dass die auf dem Typenschild angegebene Spannung mit der Spannung Ihres Stromnetzes übereinstimmt.

### Starten und Bedienen des Geräts

Sicherstellen, dass der Schalter auf Aus steht (in Stellung 0). Überprüfen, dass geeignete Filter in das Gerät eingesetzt wurden. Dann den Saugschlauch am Saugeinlass anschließen, indem der Schlauch hineingedrückt wird, bis er fest am Einlass sitzt. Dann die beiden Rohre mit dem Schlauchgriff verbinden. Die Rohre drehen, um sicherzustellen, dass sie fest verbunden sind. Am Rohr eine geeignete Düse anbringen. Wählen Sie die Düse entsprechend dem Material, das aufgesaugt werden soll. Wenn das Gerät zum Aufsaugen von Staub in Verbindung mit stauberzeugenden Geräten verwendet wird, ist das Ende des Saugschlauchs mit einem geeigneten Adapter anzuschließen. Darauf achten, dass die Einstellung des Schlauchdurchmessers dem tatsächlichen Schlauchdurchmesser entspricht. Den Stecker in eine geeignete Steckdose stecken. Stellen Sie den Schalter auf Stellung 1, um den Motor zu starten.



Schalterstellung I: Gerät einschalten

Schalterstellung II: Gerät ausschalten.

Dauerstrombuchse  
Schalterstellung I: Ein-/Ausschaltautomatik einschalten Betrieb.

Schalterstellung I + Aus: Einschalten des Geräts mit deaktivierter automatischer Filterreinigungsfunktion

Schalterstellung I + Aus: Auto-Ein-/Aus-Betrieb aktivieren bei deaktivierter automatischer Filterreinigungsfunktion. Geschwindigkeitssteuerung mit gesondertem Drehschalter.

Der Schlauchdurchmesser muss mit der Einstellung für den Schlauchdurchmesser übereinstimmen.

ø21	ø21
ø27	ø27

ø32	ø32
ø36	ø36
ø38	ø38

### Ein-/Ausschaltautomatik für Elektrowerkzeuge

#### **A** Vorsicht

Zubehörstecker.

Der Zubehörstecker ist für elektrisch betriebene Zusatzgeräte bestimmt. Näheres siehe unter Technischen Daten.

- Bevor ein Zubehörgerät angeschlossen wird, müssen der Staubsauger und das Zubehörgerät ausgeschaltet werden.
- Die Bedienungsanleitung und Sicherheitshinweise des Zubehörgeräts lesen und beachten.

Das Gerät verfügt über eine eingebaute, geerdete Steckdose. Dort kann ein externes Zusatzgerät angeschlossen werden. Wenn der Schalter in Stellung I ist, steht die Steckdose ständig unter Strom, d. h. das Gerät kann als Verlängerungskabel verwendet werden.

In Stellung I kann der Sauger über das angeschlossene Elektrowerkzeug ein- und ausgeschaltet werden. Staub kann dann direkt dort abgesaugt werden, wo er entsteht. Es dürfen nur zugelassene Geräte, die Staub erzeugen, angeschlossen werden.

Die maximal zulässige Leistungsaufnahme des angeschlossenen Geräts ist im Abschnitt „Technische Daten“ angegeben.

Bevor der Schalter in die Stellung I gebracht wird, ist sicherzustellen, dass das an den Zubehörstecker angeschlossene Gerät ausgeschaltet ist.

### Auto-Clear

Das Gerät verfügt über ein automatisches System zur Filterreinigung, Auto-Clear. Während des Betriebs wird regelmäßig eine automatische Filterreinigung durchgeführt, damit immer eine optimale Saugleistung vorhanden ist.

Bei Anwendungen mit besonders viel Staub oder wenn die Saugleistung ansonsten nachlässt, wird eine zusätzliche manuelle Filterreinigung empfohlen.

- Gerät ausschalten
- Düsen- oder Saugschlauchöffnung mit der flachen Hand verschließen.
- Geräteschalter in Stellung „I“ bringen und Sauger ca. 10 Sekunden bei verschlossener Saugschlauchöffnung laufen lassen.

Falls die Saugleistung auch danach noch verringert ist, den Filter herausnehmen und mechanisch reinigen oder den Filter austauschen.

Bei bestimmten Anwendungen, wie der Aufnahme von Flüssigkeiten, wird empfohlen, das automatische Filterreinigungssystem abzuschalten. Einzelheiten siehe Kapitel Einschalten der Maschine.

### Volumenstrom-Überwachung

#### **A** Vorsicht

Prüfen, ob alle Filter vorhanden und richtig montiert sind.

Das Gerät verfügt über ein System zur Überwachung der Geschwindigkeit des Luftstroms und des Zustands des Filters der Staubklasse H\*. Vor dem Aufsaugen von Staub mit Grenzwerten für die maximale Arbeitsplatzkonzentration ist die Volumenstrom-Überwachung zu prüfen.

Wenn der Motor läuft, den Saugschlauch geschlossen halten, um den Luftstrom zu verringern. Nach etwa einer Sekunde leuchtet die LED-Anzeige auf dem Bedienfeld auf. Nach einigen weiteren Sekunden ertönt ein akustisches Warnsignal.

Die Einstellung des Schlauchdurchmessers dem tatsächlichen Schlauchdurchmesser anpassen.

Wenn die LED-Anzeige aufleuchtet, ist die Luftstrom-Geschwindigkeit niedriger als 20 m/s.



- Kontrollieren, ob Behälter oder Filterbeutel voll sind.
- Kontrollieren, ob der Luftstrom in Saugschlauch, Düse oder Filter verringert ist.

## Antistatischer Anschluss

### **Vorsicht**

Das Gerät verfügt über ein Antistatiksystem, um statische Elektrizität, die sich bei der Staubaufnahme entwickelt, zu entladen.

Das Antistatiksystem befindet sich im vorderen Teil des Motorborteils und bildet eine Erdleitung zum Eingangsanschluss des Behälters. Für eine einwandfreie Funktion wird die Verwendung eines elektrisch leitfähigen oder antistatischen Saugschlauchs empfohlen. Beim Einsetzen des optionalen Entsorgungsbeutels darauf achten, dass dieser die Antistatikklammer nicht beeinträchtigt.

### **Kühlluftfilter**

Um die Elektronik und den Motor zu schützen, ist das Gerät mit einem Kühlluftdiffusor ausgestattet. Der Kühlluftdiffusor muss regelmäßig gereinigt werden.

In Bereichen mit einer hohen Konzentration von Feinstaub in der Umgebungsluft wird empfohlen, das Gerät mit einer optionalen Kühlluftfilterpatrone auszustatten, damit sich der Staub nicht in den Luftkanälen und dem Motor festsetzt. Wenden Sie sich an Ihren lokalen Vertriebspartner.

### **Vorsicht**

Falls der Kühlluftfilter durch Staub verstopft ist, kann der Überlastschuttschalter des Motors ausgelöst werden. In einem solchen Fall das Gerät ausschalten, den Kühlluftfilter reinigen und das Gerät etwa 5 Minuten abkühlen lassen.

## Nasssaugen

### **Vorsicht**

Das Gerät verfügt über ein Schwimmersystem, das den Luftstrom durch das Gerät abschaltet, wenn der maximale Flüssigkeitsstand erreicht ist.

In diesem Fall das Gerät ausschalten. Den Netzstecker ziehen und den Behälter entleeren. Flüssigkeiten nur dann aufnehmen, wenn der Schwimmer und der Filter eingesetzt sind.

Flüssigkeiten aufsaugen

- Keine entflammaren Flüssigkeiten aufsaugen.
- Vor dem Aufsaugen von Flüssigkeiten immer den Filter- oder Entsorgungsbeutel entfernen und kontrollieren, ob das Schwimmersystem richtig funktioniert.
- Bei Schaumbildung sofort die Arbeit einstellen und den Tank entleeren.
- Das Schwimmersystem regelmäßig reinigen und auf Schäden überprüfen.

Vor dem Entleeren des Behälters den Stecker aus der Steckdose ziehen. Den Schlauch vom Einlass abziehen. Den Verschluss an der Vorderseite des Motorborteils öffnen, dazu den unteren Teil herausziehen. Das Motorborteil vom Behälter abnehmen. Nach jedem Nasssaugen immer den Behälter entleeren und ihn sowie das Schwimmersystem reinigen.

Den Behälter entleeren, indem er nach hinten oder zur Seite gekippt wird. Die Flüssigkeit in einen Bodenabfluss o. ä. schütten.

Das Motorborteil wieder auf den Behälter setzen. Motorborteil mit dem Verschluss befestigen.

Heftige Bewegungen können das Schwimmersystem fehlerhafterweise auslösen. In diesem Fall das Gerät ausschalten und drei Sekunden warten, damit sich das System zurücksetzen kann. Danach das Gerät wieder in Betrieb nehmen.

## Trockene Stoffe saugen

### **Vorsicht**

Aufsaugen umweltgefährdender Stoffe.

Wenn solche Stoffe aufgesaugt werden, kann dies eine Umweltgefährdung bedeuten.

- Sauggut vorschriftsgemäß entsorgen.

Vor dem Entleeren nach dem Trockensaugen den Stecker aus der Steckdose ziehen. Den Saugschlauch vom Gerät abnehmen und die Einlassklappe schließen, um eine Ausbreitung des schädlichen Staubs zu verhindern. Den Verschluss an der Vorderseite des Motorborteils öffnen, dazu den unteren Teil herausziehen. Das Motorborteil vom Behälter abnehmen.

**Hauptfilter:** Den Filter überprüfen. Zum Reinigen des Filters ihn abbürsten oder abwaschen. Dann vor Gebrauch trocknen lassen.

**Staubbeutel:** Kontrollieren, wie weit er gefüllt ist. Wenn er voll ist, den Beutel austauschen. Den alten Beutel entfernen. Der neue Beutel wird eingesetzt, indem das Pappstück mit der Gummimembran auf den Schlaucheinlass gesetzt wird. Darauf achten, dass die Gummimembran über die Verdickung am Einlass geschoben wird.

**Sicherheitsfilterbeutel:** Kontrollieren, wie weit er gefüllt ist. Wenn er voll ist, den Beutel austauschen. Beim Entfernen des alten Beutels Maske und Schutzkleidung tragen. Filterbeutelmuffe vorsichtig vom Einlassstutzen abziehen. Filterbeutelmuffe mit Schieber verschließen. Sauggut vorschriftsgemäß entsorgen.

**Nach dem Entleeren:** Das Motorborteil wieder auf den Behälter setzen und mit dem Verschluss befestigen. Beim Trockensaugen muss immer ein Filter im Gerät sein. Die Saugleistung des Geräts hängt von der Größe und Qualität von Filter und Staubbeutel ab. Deshalb immer Originalfilter und -staubbeutel verwenden.

## NACH GEBRAUCH DES GERÄTS

### **Nach Gebrauch**

Nach dem Aufnehmen von gefährlichem Staub die Einlassklappe schließen und die Außenflächen des Geräts reinigen. Immer den Netzstecker ziehen, wenn das Gerät nicht benutzt wird. Das Kabel beim Gerät beginnend aufwickeln. Das Stromkabel kann um das Motorborteil oder den Behälter aufgewickelt werden. Einige Versionen verfügen über einen Aufbewahrungsraum für Zubehörteile.

### **Transport**

- Vor dem Transport des Geräts sind alle Verschlüsse zu schließen.
- Das Gerät nicht kippen, wenn sich im Schmutzbehälter Flüssigkeit befindet.
- Keinen Kranhaken zum Anheben des Geräts verwenden.
- Das Gerät nicht am Griff anheben

### **Lagerung**

### **Vorsicht**

Das Gerät an einem trockenen, vor Regen und Frost geschützten Ort aufbewahren. Dieses Gerät muss im Gebäudeinneren gelagert werden.

### **Lagerung von Zubehörteilen**

Zum leichteren Transportieren und Aufbewahren von Zubehör befinden sich an der Seite des Geräts sChienen, an denen das Zubehör mit Riemen o. ä. befestigt werden kann. Ein flexibler Riemen und Haken auf der Rückseite des Geräts dient der Aufnahme von Saugschlauch und Netzkabel. Anleitung siehe Kurzanleitung.

Optional kann eine Adapterplatte\*) mit Befestigungssystem auf dem Gerät montiert werden, um dort Zwei- oder Vier-Punkt-Aufbewahrungsbehälter zu befestigen.

Vor der Montage der Adapterplatte den Netzstecker ziehen.

### **Vorsicht**

Das Gerät nicht an der Adapterplatte anheben, ohne dass der Aufbewahrungsbehälter montiert wurde. Bei Verwendung des Aufbewahrungsbehälters auf Gewicht und Gleichgewicht des Geräts achten. Höchstgewicht der Aufbewahrungsbehälter ist 30 kg.

### **Recycling des Geräts**

Das ausgesiedete Gerät unbrauchbar machen.

1. Das Gerät vom Netz trennen.
2. Das Stromkabel durchschneiden.
3. Elektrische Geräte nicht über den Hausmüll entsorgen.



Entsprechend der EU-Richtlinie 2012/19/EG für gebrauchte elektrische und elektronische Geräte müssen Geräte mit elektrischen und elektronischen Bauteilen separat entsorgt und ökologisch recycelt werden.

## WARTUNG

### **Regelmäßige Wartung und Inspektion**

Die regelmäßige Wartung und Inspektion des Geräts muss von entsprechend qualifizierten Personen unter Beachtung der einschlägigen Vorschriften durchgeführt werden. Insbesondere Schutzleiter, Isolationswiderstand und der Zustand des Anschlusskabels müssen regelmäßig überprüft werden.

Bei Beschädigungen MUSS das Gerät außer Betrieb genommen und von einem autorisierten Servicetechniker vollständig kontrolliert und repariert werden.

Mindestens einmal jährlich muss ein Milwaukee Techniker oder eine eingewiesene Person eine technische Inspektion durchführen, bei der auch Filter, Lichtdichtigkeit und Regelmechanismen zu kontrollieren sind.

### **Wartung**

Vor Wartungsarbeiten immer den Netzstecker ziehen. Vor Benutzung des Geräts darauf achten, dass Netzspannung und -frequenz mit den Angaben des Typenschildes übereinstimmen.

Das Gerät wurde für ständigen schweren Betrieb konstruiert. Abhängig von der Betriebsdauer müssen die Staubfilter ausgewechselt werden. Den Behälter sauber halten. Dazu ein trockenes Tuch und ein wenig Spraypolitur verwenden.

Während der Wartung und Reinigung des Staubsaugers darauf achten, dass keine Gefahren für das Wartungspersonal und andere Personen entstehen.

Im Wartungsbereich

- Zwangsbelüftung mit Filter einsetzen
- Schutzkleidung tragen
- Den Wartungsbereich reinigen, so dass keine gefährlichen Stoffe in die Umgebung geraten können.

VORSICHT! Reinigen Sie den Wasserstandsbegrenzer regelmäßig und prüfen Sie ihn auf Beschädigungen.

Nur Milwaukee Zubehör und Milwaukee Ersatzteile verwenden. Bauteile, deren Austausch nicht beschrieben wurde, bei einer Milwaukee Kundendienststelle austauschen lassen (Broschüre Garantie/Kundendienstadressen beachten).

Bei Bedarf kann eine Explosionszeichnung des Gerätes unter Angabe der Maschinen Type und der sechsstelligen Nummer auf dem Leistungsschild bei Ihrer Kundendienststelle oder direkt bei Techtronic Industries GmbH, Max-Eyth-Straße 10, 71364 Winnenden, Germany angefordert werden.

## CE-KONFORMITÄTSERKLÄRUNG

Wir erklären in alleiniger Verantwortung, dass das unter „Technische Daten“ beschriebene Produkt mit alle relevanten Vorschriften der Richtlinie 2011/65/EU (RoHS), 2014/30/EU, 2006/42/EG und den folgenden harmonisierten normativen Dokumenten übereinstimmt:

EN 60335-1:2012+A11:2014  
EN 60335-2-69:2012  
EN 55014-1:2006+A1:2009+A2:2011  
EN 55014-2:2015  
EN 61000-3-2:2014  
EN 61000-3-3:2013  
EN 50581:2012

Winnenden, 2017-02-06



Alexander Krug  
Managing Director



Bevollmächtigt die technischen Unterlagen zusammenzustellen.

Techtronic Industries GmbH  
Max-Eyth-Straße 10  
71364 Winnenden  
Germany

## SYMBOLS



ACHTUNG! WARNUNG! GEFAHR!



Vor allen Arbeiten an der Maschine den Stecker aus der Steckdose ziehen.



Bitte lesen Sie die Gebrauchsanweisung vor Inbetriebnahme sorgfältig durch.



Werfen Sie Elektrowerkzeuge nicht in den Hausmüll! Elektrische und elektronische Geräte sind getrennt zu sammeln und zur umweltgerechten Entsorgung bei einem Verwertungsbetrieb abzugeben. Erkundigen Sie sich bei den örtlichen Behörden oder bei Ihrem Fachhändler nach Recyclinghöfen und Sammelstellen.



Staubklasse M (IEC 60335-2-69). Zu dieser Staubklasse gehören Stäube mit MAK-Werten<sup>1)</sup>, > 0,1 mg/m<sup>3</sup> sowie Holzstaub.



CE-Zeichen

Numéro de série	
AS-30 MAC	..4692 95 01...
AS-42 MAC	..4693 00 01...
	..000001-999999
Tension (V c.a.)	... 220-240 V
Fréquence du secteur	.....50/60 Hz
Protection par fusible	..... 10 A
Classe de protection	.....I
Type de protection	.....IP X4
Puissance connectée totale	
AS-30 MAC	.....2300 W
AS-42 MAC	.....2300 W
Puissance IEC	.....1200 W
Courant d'air	
AS-30 MAC	.....270 m³/h
AS-42 MAC	.....270 m³/h
Sous-pression	.....250 hPa
Niveau de pression acoustique	.....67 dB(A)
Incertitude K=	.....2 dB(A)
Valeur d'émission vibratoire	..... < 2,5 m/s²
Volume de la cuve	
AS-30 MAC	.....30 l
AS-42 MAC	.....42 l
Prise pour appareils, max.	.....1100 W
Diamètre du tuyau d'aspiration	..... ø 36 mm
Poids suivant EPTA-Procédure 01/2003	
AS-30 MAC	.....14,5 kg
AS-42 MAC	.....16,0 kg
Cordon d'alimentation	..H05RR-F3G1,5

ÉLÉMENTS DE FONCTIONNEMENT :

- Réglage du diamètre du tuyau
- Fiche de l'appareil
- Verrou
- Raccord d'admission
- Réservoir
- Roulette
- Crochet de flexible
- Poignée
- Positions accessoires
- Contrôle de la vitesse
- Interrupteur

**AVIS!** Lire complètement les instructions et les indications de sécurité. Le non-respect des avertissements et instructions indiqués ci après peut entraîner un choc électrique, un incendie et/ou de graves blessures sur les personnes. Bien garder tous les avertissements et instructions.

INSTRUCTIONS DE SÉCURITÉ PARTICULIÈRES

Instructions d'utilisation

L'appareil doit :

- uniquement être utilisé par des personnes qui ont été formées correctement à son usage et à qui l'on a explicitement confié la tâche de l'utiliser ;
- uniquement être utilisé sous surveillance.
- Cet appareil n'est pas destiné à être utilisé par des personnes (enfants inclus) aux capacités physiques, sensorielles ou mentales réduites, ou manquant d'expérience ou de connaissances.
- Les enfants devront être surveillés pour faire en sorte qu'ils ne jouent pas avec l'appareil.
- Ne pas utiliser de techniques de travail à risque.
- Ne jamais utiliser la machine sans y avoir placé un filtre.
- Mettre l'appareil hors tension et débrancher la prise dans les situations suivantes :
  - Avant le nettoyage et la maintenance
  - Avant de procéder au remplacement de composants
  - Avant de déplacer l'appareil

- Si de la mousse se forme ou du liquide fuit En dehors des instructions d'utilisation et des réglementations de prévention des accidents applicables obligatoirement dans le pays d'utilisation, observer les règles admises de sécurité et de conformité d'utilisation.

Avant de commencer le travail, le personnel d'exécution doit être informé ou formé en matière de :

- utilisation de la machine
- risques associés aux substances à ramasser
- élimination sûre des substances ramassées

Objet et utilisation prévue

Cet extracteur de poussière mobile est conçu, développé et soumis à des tests stricts pour fonctionner de manière efficace et sûre lorsqu'il est correctement entretenu et utilisé conformément aux instructions ci-après.

Cette machine est conçue pour une utilisation professionnelle, par exemple dans les hôtels, écoles, hôpitaux, usines, magasins, bureaux et sociétés de location.

Cette machine est également adaptée à un usage industriel, par exemple dans les usines, les sites de construction et les ateliers.

Les accidents dus à une mauvaise utilisation ne peuvent être évités que par ceux qui utilisent la machine.

LISEZ ET SUIVEZ LES INSTRUCTIONS DE SÉCURITÉ.

Toute autre utilisation est considérée comme non-conforme. Le fabricant ne pourra pas être tenu pour responsable des dommages liés à une telle utilisation. Ce risque est uniquement supporté par l'utilisateur. L'utilisation correcte inclut le bon fonctionnement, la maintenance et les réparations spécifiés par le fabricant.

Le flux d'air des systèmes d'aspiration de sécurité doit être strictement contrôlé pour obtenir un débit minimum de  $V_{min} = 20$  m/s dans le tuyau d'aspiration.

Mise en garde indiquée sur le label de sécurité : Cet appareil contient des poussières dangereuses pour la santé. Des opérations de vidange et de maintenance, y compris le démontage des collecteurs de poussière, ne doivent être effectuées que par du personnel autorisé équipé de la protection personnelle adéquate. Ne pas lancer la machine avant installation et vérification complètes du système de filtrage.

Pour les extracteurs de poussière, veillez à ce que le changement d'air soit de type H lorsque l'air d'échappement revient dans la pièce. Respectez les réglementations nationales avant utilisation.

Pour les aspirateurs de type M (désignation -2M), ce qui suit s'applique :

Ce dispositif convient pour recueillir de la poussière sèche et non inflammable, des liquides non inflammables, la sciure de bois et la poussière toxique avec des valeurs OEL1) > 0,1 mg/m³



Aspirateur de type M (IEC 60335-2-69). Les poussières appartenant à cette classe sont : poussières avec des valeurs OEL1) > 0,1 mg/m³ ainsi que la sciure de bois.

La machine est intégralement testée avec des aspirateurs pour cette classe de poussière. Le degré de perméabilité maximal est de 0,1 % et la mise au rebut doit être exempte de poussière.

Pour les extracteurs de poussière, veillez à ce que le changement d'air soit de type M lorsque l'air d'échappement revient dans la pièce. Respectez les réglementations nationales avant utilisation.

Raccordement électrique

- Il est recommandé de raccorder la machine par un coupe-circuit à courant résiduel.
- Les éléments électriques (fiches, prises et accouplements) et la rallonge doivent être disposés de sorte à garantir la classe de protection.
- Les connecteurs et accouplements des cordons d'alimentation ainsi que les rallonges doivent être étanches à l'eau.

Rallonge

La rallonge doit répondre ou être supérieure aux spécifications imposées par le fabricant.

Si une rallonge est utilisée, il faut contrôler la section minimale du câble :

Longueur du câble	Section	
	<16 A	< 25 A
< 20 m	1,5 mm²	2,5 mm²
20 - 50 m	2,5 mm²	4,0 mm²

Avertissements importants

AVERTISSEMENT!

Pour réduire les risques d'incendie, d'électrocution ou de blessures, veuillez lire et respecter toutes les instructions de sécurité et les consignes de prudence avant de l'utiliser. Cette machine est conçue pour être utilisée en toute sécurité dans le cadre des fonctions de nettoyage spécifiées. En cas de dommages sur des parties électriques ou mécaniques, la machine et / ou les accessoires doivent être réparés par un service technique qualifié ou le fabricant avant utilisation afin d'éviter d'autres dommages à l'appareil ou des blessures physiques à l'utilisateur.

Ne laissez pas l'appareil sans surveillance lorsqu'il est branché. Débranchez-le de la

prise lorsqu'il n'est pas utilisé et avant la maintenance.

Ne pas utiliser l'appareil si le cordon ou la fiche d'alimentation électrique est endommagé. Pour le débrancher, saisissez la fiche et pas le cordon. Évitez de manipuler la fiche ou la machine avec des mains mouillées. Eteignez toutes les commandes avant de débrancher l'appareil.

Ne pas tirer ou transporter par le cordon, ne pas utiliser le cordon comme une poignée, ne pas écraser le cordon sous une porte, ne pas tirer le cordon autour de bords ou coins tranchants. Ne pas faire rouler la machine sur le cordon. Éloignez le cordon des surfaces chauffées.

Tenez les cheveux, les vêtements amples, les doigts et toutes les parties du corps distance des ouvertures et des parties mobiles. Ne pas insérer d'objets dans les ouvertures ou ne pas utiliser avec les ouvertures bloquées. Veillez à ce que les ouvertures ne soient jamais obstruées par de la poussière, de la peluche, des cheveux ou quoi que ce soit risquant de réduire le flux d'air.

N'utilisez pas la machine en extérieur, à basse température.

Ne pas se servir de la machine pour ramasser des liquides inflammables ou combustibles, comme de l'essence, et ne pas l'utiliser dans un environnement dans lequel de tels liquides pourraient être présents.

N'aspirez rien qui soit en train de fumer ou de brûler (par ex. cigarettes, allumettes ou cendres chaudes).

Faire plus d'attention pendant le nettoyage des escaliers.

Ne pas utiliser l'appareil s'il n'est pas équipé de filtres.

Si la machine ne fonctionne pas correctement, a fait l'objet d'une chute, a été endommagé, laissé en plein air ou immergé, le retourner dans un centre technique ou un distributeur.

En cas de production de mousse ou de sortie de liquide de la machine, arrêtez immédiatement l'aspirateur.

La machine ne peut pas être utilisée comme pompe à eau. La machine a été conçue pour aspirer de l'air et des mélanges contenant de l'eau.

Connectez la machine à une alimentation électrique correctement reliée à la terre. La prise de courant et la rallonge doivent être dotées d'un conducteur de terre.

Assurez une ventilation suffisante du lieu de travail.

N'utilisez pas la machine sur une échelle ou un escabeau. Elle pourrait basculer et subir des dommages. Risque de blessure.

Utiliser uniquement la prise de courant de l'appareil pour les usages définis dans les instructions.

## RISQUES

### Composants électriques

#### **A DANGER!**

La section supérieure de la machine intègre des composants sous tension.

Les composants sous tension peuvent conduire à des blessures graves voire même mortelles.

Ne jamais pulvériser de l'eau sur la section supérieure de la machine.

#### **A DANGER!**

Choc électrique dû à un cordon d'alimentation abîmé.

Le fait de toucher un cordon d'alimentation abîmé peut entraîner des blessures graves voire mortelles.

- Ne pas endommager le cordon d'alimentation, par ex. ne pas rouler ni tirer dessus, ne pas le pincer.
- Vérifier régulièrement si le cordon d'alimentation est endommagé ou montre des signes d'usure.
- Si le câble électrique est endommagé, il doit être remplacé par un distributeur Milwaukee agréé ou une personne qualifiée similaire afin de prévenir tout risque.
- Ne jamais enrouler le cordon d'alimentation autour des doigts ou de toute autre partie du corps de l'opérateur.

### Poussière dangereuse

#### **A DANGER!**

Substances dangereuses.

Passer l'aspirateur sur des substances dangereuses peut provoquer des blessures graves, voire même mortelles.

- Les substances suivantes ne doivent pas être aspirées par la machine :
- déchets chauds (cigarettes allumées, cendres chaudes, etc.)
- liquides inflammables, explosifs, agressifs (par ex. essence, solvants, acides, alcalis, etc.)
- poussière inflammable, explosive (par ex. poussière de magnésium ou d'aluminium, etc.)

#### Pièces de rechange et accessoires

#### **A ATTENTION**

Pièces de rechange et accessoires.

L'utilisation de pièces de rechange, de brosses et d'accessoires non originaux peut avoir une influence négative sur la sécurité et / ou le fonctionnement de l'appareil.

Seuls les accessoires et pièces de rechange Milwaukee sont autorisés. Les pièces de rechange susceptibles de nuire à la santé et à la sécurité de l'opérateur et / ou au fonctionnement de l'appareil sont les suivantes :

Description	N° de commande
Élément filtrant plat PTFE, 1 pièce.	4932 4596 87
Sac-filtre en papier, 5 pièces.	4932 459689
Sac à poussière, 5 pièces.	4932 4596 90
Filtre d'air de refroidissement en PET, 1 pièce.	4932 4596 88

#### Dans une atmosphère explosive ou inflammable

#### **A ATTENTION**

Cette machine n'est pas conçue pour être utilisée dans une atmosphère explosive ou inflammable ou dans des atmosphères susceptibles de le devenir suite à la présence de liquides volatils ou de gaz ou vapeurs inflammables.

#### COMMANDE / FONCTIONNEMENT

#### **A ATTENTION**

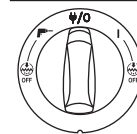
Dommages dus à une tension d'alimentation incorrecte.

Le fait de connecter l'appareil à une tension d'alimentation incorrecte peut l'endommager.

- Veiller à ce que la tension affichée sur la plaque signalétique corresponde à la tension de l'alimentation secteur locale.

#### Mise en marche et utilisation de la machine

Vérifiez que l'interrupteur électrique est sur la position arrêt (position 0). Vérifiez que les filtres adaptés sont installés sur la machine. Connectez ensuite le flexible d'aspiration dans l'entrée d'aspiration de la machine en poussant sur le flexible pour le fixer fermement dans l'entrée. Connectez ensuite les deux tubes avec la poignée du flexible et faites tourner les tubes afin de vous assurer qu'ils sont fixés correctement. Placez une buse adaptée sur le tube. Le choix de la buse se fait en fonction du type de matériau à aspirer. Il est utilisé pour extraire la poussière en association avec un outil qui produit de la poussière puis se connecte au tuyau d'aspiration avec un adaptateur approprié. Vérifiez que le réglage de diamètre du tuyau correspond au diamètre réel du tuyau. Branchez la fiche dans une prise électrique adaptée. Placez l'interrupteur électrique sur la position 1 afin de faire démarrer le moteur.





Bouton sur I : mise en marche de la machine  
 Bouton sur 0/O : arrêt de la machine.  
 Alimentation permanente dans la prise.  
 Bouton sur II : activation du mode de fonctionnement marche/arrêt auto.

Bouton sur I + Off : mise en marche de la machine avec désactivation de la fonction de nettoyage de filtre automatique

Bouton sur II + Off : activation du fonctionnement marche/arrêt auto et désactivation de la fonction de nettoyage de filtre automatique. Contrôle de la vitesse à l'aide d'un autre bouton rotatif

Le diamètre du tuyau et le réglage du diamètre du tuyau d'aspiration doivent être identiques.

	
ø21	ø21

ø27	ø27
ø32	ø32
ø36	ø36
ø38	ø38

#### Fiche de marche/arrêt auto pour outils électriques

#### **A ATTENTION**

Fiche de l'appareil.

La fiche de l'appareil est destinée aux équipements électriques auxiliaires ; consultez les caractéristiques techniques pour référence.

- Avant de brancher un appareil, toujours éteindre la machine et l'appareil à brancher.
  - Lire les instructions d'utilisation de l'appareil à brancher et respecter les consignes de sécurité qui y sont relatives.
- Une prise avec contacteur de terre est intégrée à l'appareil. Vous pouvez y connecter un outil électrique externe. La prise offre un fonctionnement permanent\*) lorsque l'interrupteur électrique est en position 0/O, c.-à-d. la machine peut être utilisée comme rallonge.

En position I, la machine peut être mise en marche et arrêtée via l'outil connecté. La poussière est immédiatement aspirée à la source. Afin de satisfaire aux réglementations en vigueur, seuls des outils électriques générant de la poussière approuvés peuvent être branchés sur l'aspirateur. La puissance maximale de l'appareil électrique connecté est mentionnée dans la section « Spécifications ».

Avant de placer l'interrupteur sur la position I, il faut s'assurer que l'outil branché dans la prise est éteint.

#### Auto-Clear

La machine est dotée d'un système de nettoyage du filtre semi-automatique, Auto-Clear. Un cycle de nettoyage fréquent sera automatiquement effectué pour garantir une excellente performance d'aspiration à tout moment.

Si la puissance d'aspiration diminue, ou pour les applications extrêmement poussiéreuses, il est recommandé de nettoyer le filtre manuellement :

- Arrêter l'appareil.
- Fermer les buses ou l'ouverture du tuyau d'aspiration avec la paume de la main.
- Placer le commutateur sur la position « 1 » et faire tourner l'aspirateur à plein régime pendant environ 10 secondes tout en maintenant l'ouverture du tuyau d'aspiration fermée.

Si la puissance d'aspiration reste faible, sortez le filtre et nettoyez-le mécaniquement, ou remplacez le filtre.

Pour certaines applications, telles que le ramassage de substances humides, il est recommandé de désactiver le système de nettoyage de filtre automatique. Voir le chapitre pour plus de détails.

#### Avertissement de débit

#### **A ATTENTION**

Vérifier que les filtres sont présents et installés correctement.

La machine est équipée d'un système pour surveiller la vitesse de l'air et l'état du filtre de type H\*). Avant d'aspirer de la poussière présentant des valeurs de limites d'exposition professionnelle, contrôlez le débit volumétrique.

Lorsque le moteur tourne, le tuyau d'aspiration doit être fermé pour réduire le débit volumétrique. Le témoin LED situé sur le tableau avant s'allumera au bout d'une seconde environ. L'avertissement sonore retentit au bout de quelques secondes.

Réglez le diamètre en fonction des dimensions du tuyau.

 Lorsque le témoin LED s'allume, la vitesse de l'air est inférieure à 20 m/s.

Lorsque le témoin LED s'allume, la vitesse de l'air est inférieure à 20 m/s.

- vérifiez si le débit est bas dans le tuyau d'aspiration, le tube/la buse, le filtre.

## Branchement antistatique

### ATTENTION

La machine est équipée d'un système antistatique pour décharger toute électricité statique susceptible de se former pendant le ramassage.

Le système antistatique est placé à l'avant du hait du moteur et crée un branchement à la terre pour l'entrée du réservoir. Pour un fonctionnement optimal, il est conseillé d'utiliser un tuyau d'aspiration électrique conducteur ou antistatique. Lorsque vous insérez le sac jetable facultatif, assurez-vous qu'il soit placé de telle manière qu'il ne gêne pas la bride antistatique.

### Filtere d'air de refroidissement

Pour protéger les parties électroniques et le moteur, la machine est équipée d'un diffuseur d'air de refroidissement. Nettoyez-le régulièrement.

Pour les zones ayant une forte concentration de poussière fine dans l'atmosphère, il est recommandé d'équiper la machine d'une cartouche de filtre d'air de refroidissement supplémentaire pour éviter que la poussière ne s'accumule dans les canaux d'air et le moteur. Contactez votre représentant commercial local.

### ATTENTION

Si le filtre d'air de refroidissement est bouché par la poussière, l'interrupteur de protection contre les surcharges dans le moteur peut être activé. Le cas échéant, éteignez la machine, nettoyez le filtre d'air bouché et laissez refroidir pendant environ 5 minutes.

### Aspiration humide

### ATTENTION

La machine est dotée d'un système de flotteur qui coupe le débit d'air de la machine lorsque le niveau de liquide max. est atteint.

Lorsque cela se produit, coupez la machine. Débranchez la machine de la prise et videz le réservoir. N'aspirez jamais de liquide sans avoir installé le flotteur et le filtre.

Aspirer des liquides.

- Ne pas aspirer de liquides inflammables.
- Avant d'aspirer des liquides, toujours retirer le sac-filtre/sac à déchets et vérifier que le flotteur fonctionne correctement.
- Si de la mousse se forme, arrêtez immédiatement le travail et vider le réservoir.
- Nettoyer le limiteur de niveau d'eau régulièrement et vérifier s'il présente des signes de dommages.

Avant de vider le réservoir, débranchez la machine. Déconnectez le flexible de l'entrée en tirant sur le flexible. Détachez les loquets en les tirant vers l'extérieur afin de libérer la partie supérieure du moteur. Soulevez la partie supérieure du moteur du réservoir. Videz et nettoyez le réservoir et le système de flotteur après avoir aspiré des liquides.

Pour procéder à la vidange, inclinez le réservoir vers l'arrière ou vers le côté et versez les liquides dans une bouche d'évacuation ou similaire.

Replacez la partie supérieure du moteur sur le réservoir. Sécurisez la partie supérieure du moteur avec les languettes.

Les manœuvres lourdes peuvent accidentellement déclencher le flotteur. Le cas échéant, éteignez la machine et attendez 3 minutes avant de réinitialiser le dispositif. Ensuite, continuez d'utiliser la machine.

### Aspiration sèche

### ATTENTION

Aspiration de matériaux dangereux pour l'environnement.

Les matériaux aspirés peuvent présenter un risque pour l'environnement.

- Éliminer les saletés conformément aux réglementations légales.
- Retirez la fiche de la prise avant de procéder à la vidange du réservoir après aspiration sèche. Retirez le tuyau d'aspiration de la machine et fermez le capuchon d'entrée pour éviter la propagation de poussière nocive. Détachez les loquets en les tirant vers l'extérieur afin de libérer la partie supérieure du moteur. Soulevez la partie supérieure du moteur du réservoir.

**Filtere principal :** vérifiez le filtre. Pour nettoyer le filtre, vous pouvez le brosser ou le laver. Attendez que le filtre soit sec avant de redémarrer l'aspiration de la poussière.

**Sac à poussière :** contrôlez le sac afin de vous assurer de son niveau de remplissage. Remplacez le sac à poussière si nécessaire. Retirez l'ancien sac. Le nouveau sac est installé en passant la pièce de carton avec membrane en caoutchouc dans l'entrée d'aspiration. Veillez à ce que la membrane en caoutchouc passe le rebord de l'entrée d'aspiration

**Sac du filtre de sécurité :** contrôlez le sac afin de vous assurer de son niveau de remplissage. Remplacez le sac à poussière si nécessaire. Portez un masque et des vêtements de protection pour retirer l'ancien sac. Retirez précautionneusement le sac-filtre du raccord d'admission. Fermez le sac-filtre à l'aide du curseur. Éliminez les saletés conformément aux réglementations légales.

**Après la vidange :** fermez la partie supérieure du moteur du réservoir et sécurisez la partie supérieure du moteur à l'aide des loquets. N'aspirez jamais de matériaux secs sans avoir installé le filtre dans la machine. La puissance d'aspiration de la machine dépend de la taille et de la qualité du filtre et du sac à poussière. Utilisez exclusivement des filtres et sacs de rechange d'origine.

### Après l'utilisation de la machine

#### Après utilisation

Après avoir aspiré des poussières dangereuses, il faut fermer le capuchon d'entrée et nettoyer l'extérieur de la machine. Débranchez la fiche de la prise lorsque vous n'utilisez pas la machine. Enrouler le cordon en commençant par le côté proche de la machine. Le cordon peut être enroulé autour de la partie supérieure du moteur ou du réservoir ou placé dans le crochet inclus ou fixé avec des pinces. Certains modèles sont dotés d'emplacements de rangement spéciaux pour les accessoires.

#### Transport

- Avant de transporter la machine, fermez tous les verrous.
- Ne pas incliner la machine si le réservoir à saletés contient des liquides.
- Ne pas utiliser de crochet de grue pour soulever l'appareil.
- Ne pas soulever la machine par la poignée

#### Entreposage

### ATTENTION

Entreposer l'appareil dans un endroit sec, à l'abri de la pluie et du gel. Cette machine doit exclusivement être entreposée à l'intérieur de locaux.

#### Entreposage des accessoires et des outils

Pour un transport et un entreposage plus pratiques des accessoires ou des outils, des rails intégrés sont situés de chaque côté de la machine pour y fixer des courroies ou autres moyens de fixation. Une courroie flexible et des crochets sont inclus au dos de la machine pour attacher le tuyau d'aspiration ou le câble. Consultez le guide de référence rapide pour plus d'instructions.

Une plaque d'adaptateur facultative\*) avec un système de fixation peut être installé au sommet de la machine pour fixer des étuis de rangement à 2 ou 4 points.

Retirez la fiche de la prise avant d'installer la plaque d'adaptateur.

### ATTENTION

Ne soulevez pas la machine dans la plaque d'adaptateur sans que l'étui de rangement soit bien installé. Notez le poids et l'équilibre de l'appareil en cas de rangement. Le poids maximum des étuis de stockage est de 30 kg.

#### Recyclage de la machine

Mettez l'ancienne machine hors d'usage.

1. Débranchez la machine.
2. Couper le cordon d'alimentation.
3. Ne pas jeter les appareils électriques avec les déchets domestiques.



Comme précisé dans la Directive Européenne 2012/19/EU sur les appareils électriques et électroniques usagés, les équipements électriques usés doivent être collectés séparément et recyclés de manière écologique.

## MAINTENANCE

### Maintenance et inspection régulières

La machine doit être maintenue et inspectée régulièrement par du personnel agréé conformément à la législation et aux réglementations en vigueur. Il y a lieu en particulier d'effectuer des tests électriques fréquents concernant la continuité à la terre, la résistance d'isolation et l'état du cordon.

En cas de défaut, la machine DOIT être mise hors service, contrôlée entièrement et réparée par un technicien agréé.

Au moins une fois par an, il faut faire effectuer une inspection technique, y compris des filtres, de léchantéité à lair et des mécanismes de contrôle, par un technicien Milwaukee.

### Maintenance

Retirez le câble d'alimentation de la prise de courant pendant la maintenance. Avant d'utiliser l'aspirateur, veillez à ce que la tension affichée sur la plaque signalétique corresponde à la tension de l'alimentation secteur.

La machine est conçue pour une utilisation intensive et continue. Selon le nombre d'heures de fonctionnement, le filtre à poussière doit être remplacé. Nettoyez la machine propre avec un chiffon sec et une petite quantité de vernis pulvérisé.

Pendant les opérations de maintenance et de nettoyage, il faut toujours manipuler la machine de sorte à ce qu'il ne représente aucun danger pour l'équipe de maintenance ou les autres personnes.

Dans la zone de maintenance

- Utiliser une ventilation filtrée.
- Porter des vêtements de protection.
- Nettoyer la zone de maintenance afin qu'aucune substance dangereuse ne s'en échappe.

ATTENTION ! Nettoyer à intervalles réguliers le limiteur de niveau d'eau et vérifier son intégrité.

Utiliser uniquement les accessoires Milwaukee et les pièces détachées Milwaukee. Faire remplacer les composants dont le remplacement n'a pas été décrit, par un des centres de service après-vente Milwaukee (observer la brochure avec les adresses de garantie et de service après-vente).

En cas de besoin il est possible de demander un dessin éclaté du dispositif en indiquant le modèle de la machine et le numéro de six chiffres imprimé sur la plaquette de puissance et en s'adressant au centre d'assistance technique ou directement à Techtronic Industries GmbH, Max-Eyth-Straße 10, 71364 Winnenden, Germany.

## DÉCLARATION CE DE CONFORMITÉ

Nous déclarons sous notre propre responsabilité que le produit décrit aux „Données techniques“ est conforme à toutes les dispositions des directives 2011/65/EU (RoHS), 2014/30/UE, 2006/42/CE et des documents normatifs harmonisés suivants:

EN 60335-1:2012+A11:2014  
EN 60335-2-69:2012  
EN 55014-1:2006+A1:2009+A2:2011  
EN 55014-2:2015  
EN 61000-3-2:2014  
EN 61000-3-3:2013  
EN 50581:2012

Winnenden, 2017-02-06

Alexander Krug  
Managing Director



Autorisé à compiler la documentation technique.

Techtronic Industries GmbH  
Max-Eyth-Straße 10  
71364 Winnenden  
Germany

## SYMBOLS



ATTENTION! AVERTISSEMENT! DANGER!



Avant tous travaux sur la machine extraire la fiche de la prise de courant.



Veillez lire avec soin le mode d'emploi avant la mise en service



Ne pas jeter les appareils électriques dans les ordures ménagères ! Les dispositifs électriques et électroniques sont à collecter séparément et à remettre à un centre de recyclage en vue de leur élimination dans le respect de l'environnement. S'adresser aux autorités locales ou au détaillant spécialisé en vue de connaître l'emplacement des centres de recyclage et des points de collecte.



Aspirateur de type M (IEC 60335-2-69). Les poussières appartenant à cette classe sont : poussières avec des valeurs OEL1) > 0,1 mg/m<sup>3</sup> ainsi que la sciure de bois.



Marque CE

DATI TECNICI		SISTEMA ASPIRAZIONE	
Numero di serie			
AS-30 MAC	..4692 95 01...		
AS-42 MAC	..4693 00 01...		
	..000001-999999		
Volt	.....220-240 V		
Frequenza di rete	.....50/60 Hz		
Fusibili di rete	.....10 A		
Classe di protezione	.....I		
Tipo di protezione (antispruzzi d'acqua)	.....IP X4		
Totale potenza allacciata			
AS-30 MAC	.....2300 W		
AS-42 MAC	.....2300 W		
Potenza assorbita nominale IEC	.....1200 W		
Corrente d'aria			
AS-30 MAC	.....270 m³/h		
AS-42 MAC	.....270 m³/h		
Depressione/aspirazione	.....250 hPa		
Livello di rumorosità	.....67 dB(A)		
Incertezza della misura K=	.....2 dB(A)		
Valore di emissione dell'oscillazione	.....< 2,5 m/s²		
Volume contenitore			
AS-30 MAC	.....30 l		
AS-42 MAC	.....42 l		
Potenza massima	.....1100 W		
Diametro tubo d'aspirazione	.....ø 36 mm		
Peso secondo la procedura EPTA 01/2003			
AS-30 MAC	.....14,5 kg		
AS-42 MAC	.....16,0 kg		
Cavo di alimentazione	.....H05RR-F3G1,5		

#### ELEMENTI PER IL FUNZIONAMENTO:

1. Impostazione diametro tubo flessibile
2. Presa apparecchio
3. Dispositivo di blocco
4. Raccordo ingresso
5. Contenitore
6. Ruota orientabile
7. Gancio per tubo flessibile
8. Maniglia
9. Posizioni accessori
10. Regolazione velocità
11. Interruttore

**AVVERTENZA!** Leggere tutte le istruzioni ed indicazioni di sicurezza. In caso di mancato rispetto delle avvertenze di pericolo e delle istruzioni operative si potrà creare il pericolo di scosse elettriche, incendi e/o incidenti gravi. Conservare tutte le avvertenze di pericolo e le istruzioni operative per ogni esigenza futura.

#### NORME DI SICUREZZA

##### Istruzioni per l'uso

L'apparecchio deve:

- essere utilizzato esclusivamente da persone che siano state istruite sul suo corretto utilizzo e che abbiano esplicitamente ricevuto l'incarico di utilizzarlo
- essere utilizzato esclusivamente sotto supervisione
- Questo apparecchio non deve essere utilizzato da persone (inclusi bambini) con ridotte capacità fisiche, sensoriali o mentali, o con mancanza di esperienza e conoscenza.
- Sorvegliare i bambini per evitare che giochino con l'apparecchio.
- Evitare ogni tecnica di lavoro non sicura.
- Non usare mai l'apparecchio senza un filtro.
- Spegnerlo l'apparecchio e scollegarlo dalla presa elettrica nelle seguenti situazioni:
  - Prima di interventi di pulizia e manutenzione
  - Prima della sostituzione di componenti
  - Prima di una modifica da apportare sull'apparecchio

- Se si sviluppa schiuma o fuoriesce liquido  
Oltre alle istruzioni per l'uso e alle normative per la prevenzione degli incidenti in vigore nel paese di utilizzo, è necessario osservare i regolamenti riconosciuti relativi alla sicurezza e al corretto utilizzo.

Prima di iniziare il lavoro, il personale addetto al funzionamento deve essere informato e addestrato in merito a:

- utilizzo della macchina
- rischi associati al materiale da aspirare
- smaltimento sicuro del materiale aspirato

##### Scopo e uso previsto

Questo estrattore di polvere mobile è stato progettato, sviluppato e testato rigorosamente per funzionare in maniera efficiente e sicura se mantenuto e utilizzato secondo le seguenti istruzioni.

Questa macchina è destinata a un utilizzo commerciale, ad esempio in alberghi, scuole, ospedali, fabbriche, negozi, uffici e attività commerciali di noleggio.

Questa macchina è adatta anche per un utilizzo industriale, come ad es. impianti, siti di costruzione e officine.

Gli incidenti dovuti a un utilizzo scorretto possono essere prevenuti esclusivamente da coloro che utilizzano l'apparecchio.

##### LEGGERE E SEGUIRE TUTTE LE ISTRUZIONI DI SICUREZZA

Ogni altro uso è considerato come uso improprio. Il produttore declina ogni responsabilità per eventuali danni derivanti da tale uso. Il rischio associato a tale uso è esclusivamente a carico dell'utilizzatore. L'uso corretto include anche il funzionamento, la manutenzione e le riparazioni corretti così come specificato dal produttore.

La portata d'aria nei sistemi di aspirazione di sicurezza deve essere controllata rigorosamente, al fine di ottenere una portata minima di  $V_{min} = 20$  m/s nel tubo flessibile di aspirazione.

Questo apparecchio contiene polveri pericolose per la salute. Le operazioni di svuotamento e di manutenzione, inclusa la rimozione degli strumenti di raccolta delle polveri, devono essere eseguite esclusivamente da personale autorizzato che dovrà indossare protezioni personali idonee. Utilizzare l'apparecchio solo dopo avere eseguito il montaggio e la verifica del sistema di filtrazione completo.

Per gli estrattori di polveri, è necessario garantire un tasso di ricambio dell'aria H adeguato, se l'aria di scarico viene reimpressa nel locale. Rispettare i regolamenti nazionali prima dell'utilizzo.

Per le macchine classificate nella Classe di polvere M (con designazione del tipo -2M) è previsto quanto segue:

L'apparecchio è adatto per l'aspirazione di polvere secca e non infiammabile, liquidi non infiammabili, segatura e polveri pericolose con valori OEL1) > 0,1 mg/m³



Classe di polvere M (IEC 60335-2-69). Le polveri che appartengono a questa classe sono: polveri con valori OEL1) > 0,1 mg/m³ e segatura

La macchina è stata testata nella sua interezza per mezzo di aspiratori classificati in questa classe di polvere. Il grado di permeabilità massimo è 0,1% e lo smaltimento deve verificarsi con ridotta emissione di polvere.

Per gli estrattori di polveri, è necessario garantire un tasso di ricambio dell'aria M adeguato, se l'aria di scarico viene reimpressa nel locale. Rispettare i regolamenti nazionali prima dell'utilizzo.

##### Collegamento elettrico

- Si consiglia di collegare la macchina attraverso un interruttore di corrente residua.
- Disporre i componenti elettrici (prese, spine e dispositivi di accoppiamento) e posare il cavo di prolunga in modo da mantenere la classe di protezione.
- I connettori, i dispositivi di accoppiamento dei cavi di alimentazione e i cavi di prolunga devono essere a tenuta stagna.

##### Cavo di prolunga

Come cavo di prolunga, utilizzare esclusivamente la versione specificata dal produttore o una di qualità superiore.

Quando si utilizza un cavo di prolunga, verificare la sezione trasversale minima del cavo:

Lunghezza cavo	Sezione trasversale	
	<16 A	< 25 A
< 20 m	1,5 mm²	2,5 mm²
20 - 50 m	2,5 mm²	4,0 mm²

## Avvertenze importanti

### AVVERTENZA!

Per ridurre il rischio di incendi, scosse elettriche o lesioni, leggere e seguire tutte le istruzioni di sicurezza e i simboli di attenzione prima dell'uso.

Questa macchina è progettata per essere sicura quando viene utilizzata per le funzioni di pulizia, come specificato. In caso di danni alle parti elettriche o meccaniche, la macchina e/o l'accessorio devono essere riparati presso un centro di assistenza competente o dal produttore prima

dell'uso, in modo da evitare ulteriori danni alla macchina o lesioni fisiche all'utilizzatore.

Non lasciare la macchina incustodita quando la spina è attaccata alla corrente. Staccare la spina dalla presa quando la macchina non viene utilizzata e prima della manutenzione.

Non utilizzare se il cavo o la spina sono danneggiati. Per scollegare il cavo di alimentazione, afferrare la spina e non il cavo. Non maneggiare la spina o la macchina con le mani bagnate. Disattivare tutti i comandi prima di staccare la spina.

Non trascinare o trasportare la macchina tirando il cavo, non utilizzare il cavo come una maniglia, non chiudere uno sportello sul cavo e non tirare il cavo intorno a bordi o angoli taglienti. Non far passare la macchina sul cavo. Tenere il cavo lontano dalle superfici calde.

Tenere i capelli, i vestiti non aderenti, le dita e tutte le parti del corpo lontano dalle aperture e dalle parti in movimento. Non infilare oggetti nelle aperture e non usare l'apparecchio con l'apertura bloccata. Tenere le aperture prive di polvere, pelucchi, capelli, e ogni altra cosa che possa ridurre il flusso di aria.

Non utilizzare in aree esterne a bassa temperatura.

Non utilizzare per aspirare liquidi infiammabili o combustibili come benzina, e non utilizzare in aree in cui questi ultimi possono essere presenti.

Non aspirare niente che stia bruciando o emettendo fumo, come sigarette, fiammiferi o ceneri incandescenti.

Prestare particolare attenzione quando si puliscono le scale.

Non utilizzare se i filtri non sono montati.

Se la macchina non funziona correttamente o è stata fatta cadere, danneggiata, lasciata all'aperto o fatta cadere in acqua, portarla presso un centro di assistenza o il rivenditore.

Se schiuma o liquidi fuoriescono dall'apparecchio, spegnerlo immediatamente.

La macchina non deve essere utilizzata come una pompa dell'acqua. La macchina è destinata all'aspirazione di miscele di aria e di acqua.

Collegare la macchina a un'alimentazione elettrica correttamente messa a terra. La presa elettrica e il cavo di prolunga devono essere dotati di un conduttore di protezione funzionante.

Garantire una buona ventilazione presso il luogo di lavoro.

Non utilizzare la macchina come una scala. La macchina potrebbe ribaltarsi e danneggiarsi. Pericolo di lesioni.

Utilizzare la presa sulla macchina esclusivamente per gli scopi specificati nelle istruzioni.

## RISCHI

### Componenti elettrici

#### **⚠ PERICOLO!**

La sezione superiore della macchina contiene componenti sotto tensione.

Il contatto con i componenti sotto tensione può provocare lesioni gravi o perfino letali.

Non spruzzare mai acqua sulla sezione superiore della macchina.

#### **⚠ PERICOLO!**

Rischio di scossa elettrica dovuto a un cavo di alimentazione difettoso.

Toccare un cavo di alimentazione difettoso può provocare lesioni gravi o persino letali.

- Non danneggiare il cavo di alimentazione (ad es. passandovi sopra con l'apparecchio, tirandolo o schiacciandolo).
- Controllare regolarmente che il cavo di alimentazione non presenti danni o segni di usura.
- Se il cavo elettrico è danneggiato, deve essere sostituito da un distributore autorizzato Milwaukee o da una persona qualificata simile, al fine di evitare rischi.
- In nessun caso, il cavo di alimentazione deve essere avvolto intorno alle dita o ad altre parti del corpo dell'operatore.

### Polveri pericolose

#### **⚠ AVVERTENZA**

Materiali pericolosi.

L'aspirazione di materiali pericolosi può causare lesioni gravi o perfino letali.

- La macchina non deve essere utilizzata per aspirare i seguenti materiali:
- materiali caldi (sigarette accese, cenere incandescente, ecc.)

- liquidi infiammabili, esplosivi o aggressivi (ad es. benzina, solventi, acidi, alcali, ecc.)
- polveri infiammabili o esplosive (ad es. polvere di magnesio o alluminio, ecc.)

#### Pezzi di ricambio e accessori

#### **⚠ ATTENZIONE**

Pezzi di ricambio e accessori

Pezzi di ricambio e accessori. L'uso di pezzi di ricambio, spazzole e accessori non originali può compromettere la sicurezza o il funzionamento dell'apparecchio.

Utilizzare esclusivamente pezzi di ricambio e accessori originali di Milwaukee. I pezzi di ricambio che possono influenzare la salute e la sicurezza dell'operatore e/o il funzionamento dell'apparecchio sono specificati di seguito:

descrizione	Cod. Ordine
Filtro piatto PTFE, 1 pz	4932 4596 87
Sacchetto filtro felpato, 5 pz	4932 459689
Sacchetto di smaltimento, 5 pz	4932 4596 90
Filtro aria di raffreddamento motore PET, 1 pz	4932 4596 88

#### DIn atmosfera esplosiva o infiammabile

#### **⚠ ATTENZIONE**

Questa macchina non è adatta per essere utilizzata in atmosfere esplosive o infiammabili, oppure dove potrebbero generarsi tali atmosfere a causa della presenza di liquidi volatili o di vapore o gas infiammabili.

#### COMANDI / FUNZIONAMENTO

#### **⚠ ATTENZIONE**

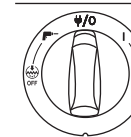
Danni dovuti a tensione della rete di alimentazione non idonea.

L'apparecchio può subire danni se collegato a una tensione della rete di alimentazione non idonea.

- Verificare che la tensione indicata sulla targhetta corrisponda alla tensione della rete di alimentazione locale.

#### Avvio e funzionamento della macchina

Verificare che l'interruttore elettrico sia disattivato (in posizione 0). Verificare che dei filtri idonei siano installati nella macchina. Collegare quindi il tubo flessibile di aspirazione nell'ingresso di aspirazione della macchina, spingendo in avanti il tubo fino a posizionarlo saldamente nell'ingresso. Collegare poi i tubi con la maniglia del tubo flessibile, ruotando i tubi al fine di assicurare che siano montati correttamente. Attaccare l'ugello adatto al tubo. L'ugello deve essere scelto in base al tipo di materiale da aspirare. Se utilizzato per l'estrazione di polvere in collegamento con un utensile che produce polvere, collegare l'estremità del tubo flessibile di aspirazione con l'apposito adattatore. Controllare che l'impostazione del diametro del tubo flessibile corrisponda al diametro effettivo del tubo flessibile. Collegare la spina a una presa elettrica idonea. Collocare l'interruttore elettrico in posizione I per avviare il motore.



Rotazione su I: Attivare la macchina  
Rotazione su **II**/0: Arrestare la macchina  
Alimentazione permanente alla presa.  
Rotazione su **III**: Attivare il funzionamento Auto-On/Off.  
Rotazione su I+ **III** Off: Attivare la macchina con la funzione di pulizia automatica del filtro disattivata  
Rotazione su **III** + **III** Off: Attivare il funzionamento Auto-On/Off con la funzione di pulizia automatica del filtro disattivata.

Funzionamento della regolazione della velocità su manopola di rotazione separata Il diametro del tubo flessibile e l'impostazione del diametro del tubo flessibile di aspirazione devono corrispondere.

Ø21	Ø21
Ø27	Ø27
Ø32	Ø32
Ø36	Ø36
Ø38	Ø38

#### Uscita presa Auto-On/Off per utensili elettrici

#### **⚠ ATTENZIONE**

Presa dell'apparecchio

La presa dell'apparecchio è progettata per l'equipaggiamento elettrico ausiliario; consultare i dati tecnici come riferimento.

- Prima di inserire la spina di un apparecchio, spegnere sempre la macchina e l'apparecchio che deve essere collegato.
  - Leggere le istruzioni per l'uso dell'apparecchio da collegare e rispettare le indicazioni di sicurezza in esse contenute.
- Una presa dell'apparecchio con contatto di messa a terra è integrata nella macchina. Qui è possibile collegare un utensile elettrico esterno. La presa dispone di un'alimentazione attiva permanente quando l'interruttore elettrico è in posizione **II**/0, questo significa che la macchina può essere utilizzata come un cavo di prolunga.

In posizione **III**, la macchina può essere accesa o spenta attraverso l'utensile elettrico collegato. Lo sporco viene aspirato immediatamente dalla fonte di polvere. Al fine di soddisfare le normative, devono essere collegati esclusivamente utensili che producono polvere che siano approvati.

Il consumo di corrente massimo dell'apparecchio elettrico collegato è indicato nella sezione „Specifiche tecniche“.

Prima di ruotare l'interruttore sulla posizione **III**, assicurarsi che l'utensile collegato alla presa dell'apparecchio sia spento

#### Auto-Clear

La macchina è dotata di un sistema di pulizia del filtro automatico chiamato Auto-Clear. Un ciclo di pulizia frequente sarà effettuato automaticamente durante il funzionamento al fine di garantire che le prestazioni di aspirazione siano sempre ottimali.

Se le prestazioni di aspirazione diminuiscono o in caso di applicazioni in presenza di grandi quantità di polvere si consiglia un'operazione di pulizia del filtro manuale:

- Spegnerla macchina
- Chiudere gli ugelli o l'apertura del tubo flessibile di aspirazione con il palmo della mano.

- Ruotare l'interruttore in posizione „I” e far funzionare la macchina a piena velocità per circa 10 secondi con l'apertura del tubo flessibile di aspirazione chiusa.

Se il potere aspirante è ancora ridotto, estrarre il filtro e pulire meccanicamente, oppure sostituire il filtro.

Per alcune applicazioni, come l'aspirazione di liquidi, si consiglia di disattivare il sistema di pulizia del filtro automatico. Per i dettagli, vedere il capitolo.

#### Avvertenze sulla portata


#### ATTENZIONE

montati correttamente.

La macchina è dotata di un sistema destinato a monitorare la velocità dell'aria e di un filtro classificato nella Classe di polvere H<sup>1</sup>). Prima di aspirare polveri con un valore limite per l'esposizione professionale, controllare il flusso in volume monitorato.

Quando il motore è in funzione, tenere chiuso il tubo flessibile di aspirazione per ridurre il flusso in volume. La spia LED sul pannello anteriore si accenderà dopo 1 secondo circa. Il segnale acustico suonerà dopo alcuni secondi.

Impostare l'impostazione del diametro in base alla dimensione effettiva del tubo flessibile.

 Quando la spia LED si accende, la velocità dell'aria è inferiore a 20 m/s.

controllare se il contenitore o il sacchetto del filtro è pieno.

- controllare se la portata d'aria è ridotta nel tubo flessibile di aspirazione, tubo/ugello, filtro.

#### Collegamento antistatico

#### ATTENZIONE

La macchina è dotata di un sistema antistatico per scaricare ogni elettricità statica che potrebbe svilupparsi durante l'aspirazione della polvere.

Il sistema antistatico è situato nella parte anteriore del lato superiore del motore e crea un collegamento a massa con il raccordo di ingresso del contenitore. Per un funzionamento corretto, si consiglia l'utilizzo di un tubo conduttore elettrico o di un tubo flessibile di aspirazione antistatico. Durante l'inserimento del sacchetto di smaltimento opzionale, assicurarsi che il collegamento antistatico venga mantenuto.

#### Filtro aria di raffreddamento

Per proteggere l'elettronica e il motore, la macchina è dotata di un diffusore dell'aria di raffreddamento. Pulire regolarmente il diffusore dell'aria di raffreddamento.

Per le aree con un'alta concentrazione di polveri sottili nell'aria circostante si consiglia di equipaggiare la macchina di una cartuccia del filtro dell'aria di raffreddamento opzionale per evitare che la polvere si stabilisca all'interno dei canali dell'aria e del motore. Contattare il proprio rappresentante commerciale locale.

#### ATTENZIONE

Se il filtro dell'aria di raffreddamento è ostruito dalla polvere, l'interruttore di protezione da sovraccarico nel motore può essere attivato. In tale caso, spegnere la macchina, pulire il filtro dell'aria di raffreddamento e lasciare raffreddare la macchina per circa 5 minuti.

#### Aspirazione di liquidi

#### ATTENZIONE

La macchina è dotata di un sistema di limitazione del livello dell'acqua che spegne la macchina una volta raggiunto il livello massimo del liquido.

Quando ciò si verifica, spegnere la macchina. Scollegare la macchina dalla presa e vuotare il contenitore. Non aspirare mai dei liquidi senza il sistema di limitazione del livello dell'acqua e il filtro in posizione.

Aspirazione di liquidi.

- Non aspirare liquidi infiammabili

- Prima di procedere alla raccolta di liquidi, rimuovere sempre il sacchetto del filtro/dei rifiuti e verificare che il sistema di limitazione del livello dell'acqua funzioni correttamente.

- Se compare della schiuma, sospendere immediatamente il lavoro e svuotare il serbatoio.
- Pulire regolarmente il dispositivo di limitazione del livello dell'acqua e controllare l'eventuale presenza di danni.

Prima di vuotare il contenitore, scollegare la macchina. Scollegare il tubo flessibile dall'ingresso tirando fuori il tubo. Rilasciare il dispositivo di blocco tirandolo verso l'esterno, in modo da liberare la parte superiore del motore. Sollevare la parte superiore del motore dal contenitore. Dopo l'aspirazione di liquidi, vuotare e pulire sempre il contenitore e il sistema di limitazione del livello dell'acqua.

Vuotare il contenitore inclinandolo all'indietro o lateralmente e versare i liquidi in uno scarico a pavimento o simile.

Rimettere la parte superiore del motore sul contenitore. Fissare la parte superiore del motore con i dispositivi di blocco.

Le manovre pesanti possono innescare per errore il dispositivo di limitazione del livello dell'acqua. Qualora questo dovesse accadere, spegnere la macchina e attendere 3 secondi per resettare il dispositivo. Continuare poi a far funzionare la macchina.

#### Aspirazione di solidi

#### ATTENZIONE

Aspirazione di materiali pericolosi per l'ambiente.

I materiali aspirati possono presentare un pericolo per l'ambiente.

- Smaltire la sporcizia in conformità ai regolamenti in vigore. Rimuovere la spina elettrica dalla presa prima di effettuare lo svuotamento dopo l'aspirazione di solidi. Rimuovere il tubo flessibile di aspirazione dalla macchina e chiudere il tappo di ingresso, per evitare lo spargimento dannoso di polvere. Rilasciare il dispositivo di blocco tirandolo verso l'esterno in modo da liberare la parte superiore del motore. Sollevare la parte superiore del motore dal contenitore.

**Filtro principale:** controllare il filtro. Per pulire il filtro è possibile spazzolarlo o lavarlo. Attendere che il filtro sia asciutto prima di ricominciare l'operazione di aspirazione della polvere.

**Sacchetto di raccolta polvere:** controllare il sacchetto per verificare il fattore di riempimento. Sostituire il sacchetto di raccolta polvere se necessario. Rimuovere il vecchio sacchetto. Il nuovo sacchetto si installa facendo passare il pezzo di cartone con la membrana di gomma attraverso l'ingresso di aspirazione. Assicurarsi che la membrana di gomma superi il rialzo presente sull'ingresso di aspirazione.

**Sacchetto del filtro di sicurezza:** controllare il sacchetto per verificare il fattore di riempimento. Sostituire il sacchetto di raccolta polvere se necessario. Indossare una maschera e degli indumenti di protezione durante la rimozione del vecchio sacchetto. Rimuovere con attenzione il collegamento del sacchetto di raccolta polvere dal raccordo di ingresso. Chiudere il collegamento del sacchetto di raccolta polvere con il dispositivo di scorrimento. Smaltire la sporcizia in conformità ai regolamenti in vigore.

**Dopo lo svuotamento:** chiudere la parte superiore del motore sul contenitore e fissarla con i dispositivi di blocco. Non aspirare mai materiale solido senza il filtro montato nella macchina. L'efficienza aspirante della macchina dipende dalle dimensioni e dalla qualità del filtro e del sacchetto di raccolta polvere. Pertanto è necessario utilizzare esclusivamente filtri e sacchetti di raccolta polvere originali.

#### DOPO AVERE UTILIZZATO LA MACCHINA

##### Dopo l'uso

Dopo avere aspirato delle polveri pericolose, chiudere il tappo di ingresso e pulire l'esterno della macchina. Rimuovere la spina dalla presa quando la macchina non viene utilizzata. Avvolgere il cavo partendo dall'apparecchio. Il cavo di alimentazione può essere avvolto intorno al lato superiore del motore o sul contenitore, oppure collocato nel gancio o nei dispositivi di fissaggio inclusi. Alcune varianti dispongono di vani speciali in cui riporre gli accessori.

##### Trasporto

- Prima di trasportare la macchina, chiudere tutti i dispositivi di blocco
- Non inclinare la macchina se nel serbatoio della sporcizia sono presenti dei liquidi.

- Non usare il gancio di una gru per sollevare la macchina.
- Non sollevare la macchina usando la maniglia del carrello

#### Immaggazzinaggio

#### ATTENZIONE

mmagazzinare l'apparecchio in un luogo asciutto, protetto dalla pioggia e dal gelo. La macchina deve essere immagazzinata solo in ambienti interni.

#### Immaggazzinaggio di accessori e utensili

Per il trasporto e l'immagazzinaggio pratici di accessori o utensili, dei binari integrati situati sul lato della macchina permettono il fissaggio senza necessità di cinghie o altri dispositivi. Una cinghia flessibile e dei ganci sono inclusi sul lato posteriore della macchina per riporre il tubo flessibile di aspirazione o i cavi di alimentazione. Per le istruzioni, consultare la guida rapida.

Una piastra adattatore opzionale\*) con sistema di attacco può essere installata sulla parte superiore della macchina per il fissaggio di involucri di immagazzinaggio a 2 punti o a 4 punti.

Rimuovere la spina elettrica dalla presa prima di installare la piastra adattatore.

#### ATTENZIONE

Non sollevare la macchina nella piastra adattatore senza avere installato in modo sicuro l'involucro di immagazzinaggio. Prendere nota del peso e dell'equilibrio dell'apparecchio in caso di immagazzinaggio. Il peso massimo degli involucri di immagazzinaggio è di 30 Kg.

#### Riciclaggio della macchina

Rendere inutilizzabile la vecchia macchina.

1. Scollegare la macchina dall'alimentazione elettrica.
2. Tagliare il cavo di alimentazione.
3. È vietato lo smaltimento di apparecchi elettrici insieme ai rifiuti domestici.



Secondo quanto specificato nella Direttiva Europea 2012/19/UE sugli apparecchi elettrici ed elettronici a fine vita, i componenti elettrici usati devono essere raccolti separatamente e riciclati in maniera ecologica.

#### MANUTENZIONE

##### Ispezione e manutenzione regolari

L'ispezione e la manutenzione regolari della macchina devono essere effettuate da personale qualificato in conformità alle leggi e ai regolamenti in vigore. In particolare, devono essere effettuati frequentemente dei test elettrici di verifica della continuità di terra, della resistenza dell'isolamento delle condizioni del cavo flessibile.

In caso di anomalia, l'apparecchio DEVE essere ritirato dal servizio, verificato completamente e riparato da un tecnico dell'assistenza autorizzato.

Un tecnico di Milwaukee o una persona qualificata dovranno eseguire, almeno una volta all'anno, una verifica tecnica dei filtri, della tenuta d'aria dei meccanismi di controllo.

##### Manutenzione

Rimuovere la spina dalla presa prima di eseguire la manutenzione. Prima di utilizzare la macchina, assicurarsi che la frequenza e la tensione indicate sulla targhetta corrispondano alla tensione della rete di alimentazione.

La macchina è progettata per un funzionamento continuo e pesante. In base al numero di ore di funzionamento, il filtro di raccolta polvere deve essere sostituito. Tenere la macchina pulita con un panno asciutto e una piccola quantità di lucidante spray.

Durante la manutenzione e la pulizia, maneggiare la macchina in modo da evitare pericoli per il personale addetto alla manutenzione o altre persone.

Nell'area di manutenzione

- Utilizzare una ventilazione filtrata obbligatoria
- Indossare degli indumenti di protezione
- Pulire l'area di manutenzione in modo che non rimangano sostanze dannose nell'ambiente circostante.

ATTENZIONE! Pulire ad intervalli regolari il limitatore del livello d'acqua e verificare la sua integrità.

Usare solo accessori Milwaukee e pezzi di ricambio Milwaukee. Gruppi costruttivi la cui sostituzione non è stata descritta, devono essere fatti cambiare da un punto di servizio di assistenza tecnica al cliente Milwaukee (vedi depliant garanzia/indirizzi assistenza tecnica ai clienti).

In caso di necessità è possibile richiedere un disegno esploso del dispositivo indicando il modello della macchina ed il numero a sei cifre sulla targa di potenza rivolgendosi al centro di assistenza tecnica o direttamente a Techtronic Industries GmbH, Max-Eyth-Straße 10, 71364 Winnenden, Germany.

#### DICHIARAZIONE DI CONFORMITÀ CE

Dichiariamo sotto la nostra esclusiva responsabilità che il prodotto descritto ai „Dati tecnici” corrisponde a tutte le disposizioni delle direttive 2011/65/EU (RoHS), 2014/30/CE, 2006/42/UE e successivi documenti normativi armonizzati:

EN 60335-1:2012+A11:2014  
EN 60335-2-69:2012  
EN 55014-1:2006+A1:2009+A2:2011  
EN 55014-2:2015  
EN 61000-3-2:2014  
EN 61000-3-3:2013  
EN 50581:2012

Winnenden, 2017-02-06



Alexander Krug  
Managing Director

Autorizzato alla preparazione della documentazione tecnica

Techtronic Industries GmbH  
Max-Eyth-Straße 10  
71364 Winnenden  
Germany



#### SIMBOLI



ATTENZIONE! AVVERTENZA! PERICOLO!



Prima di effettuare qualsiasi lavoro sulla macchina togliere la spina dalla presa di corrente.



Leggere attentamente le istruzioni per l'uso prima di mettere in funzione l'elettrotensile.



Non gettare le apparecchiature elettriche tra i rifiuti domestici. I dispositivi elettrici ed elettronici devono essere raccolti separatamente e devono essere conferiti ad un centro di riciclaggio per lo smaltimento rispettoso dell'ambiente. Chiedere alle autorità locali o al rivenditore specializzato dove si trovano i centri di riciclaggio e i punti di raccolta.



Classe di polvere L (IEC 60335-2-69). Le polveri che appartengono a questa classe hanno valori OEL1) > 1 mg/m<sup>3</sup>.



Marchio CE





