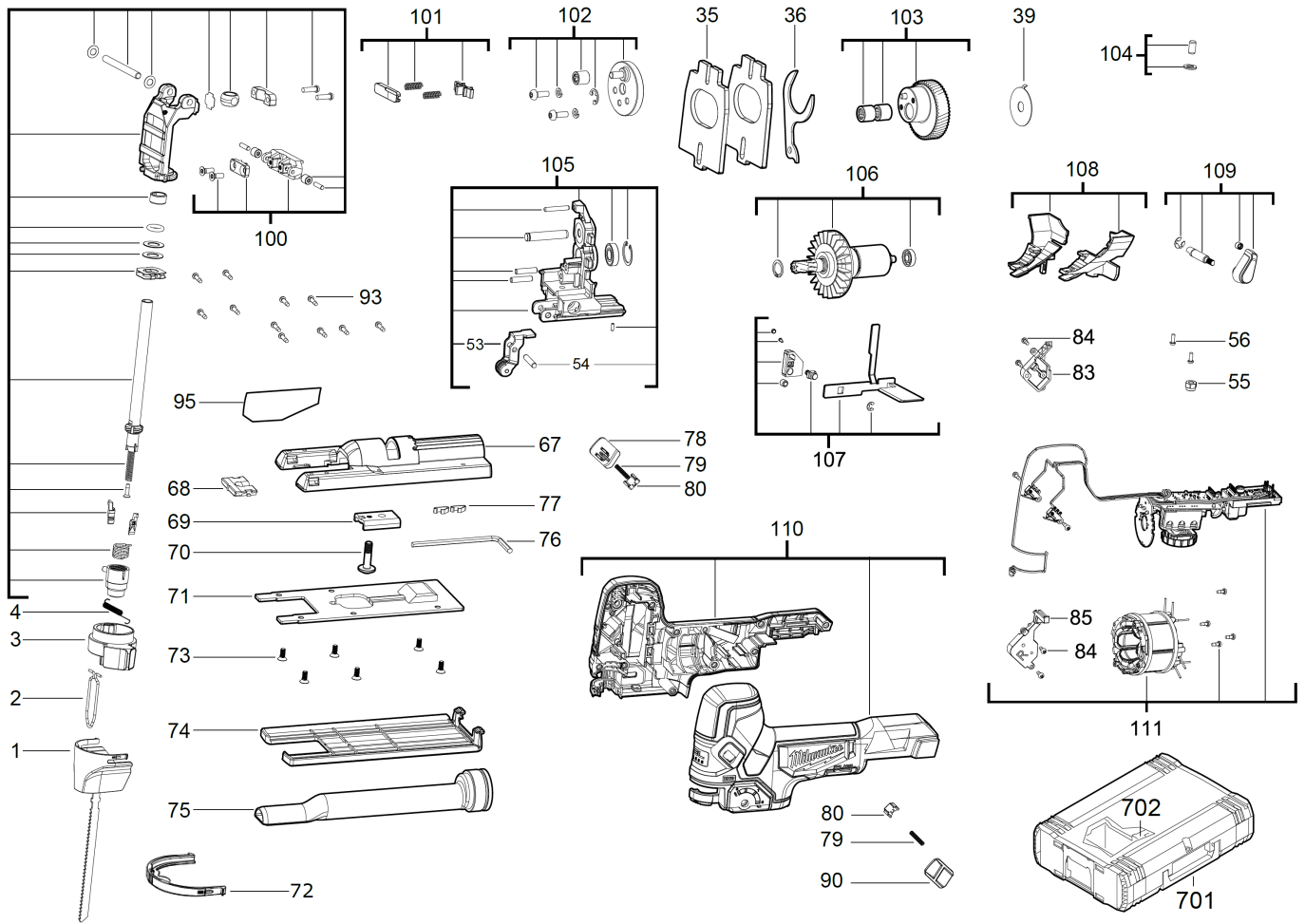


# M18FBJS-0X BTY. JIGSAW XXX

4933464799 - M18FBJS-0X - 4000469271





| Position | Quantity | Description         | Part number | EAN           |
|----------|----------|---------------------|-------------|---------------|
| 0001     | 1        | COVER               | 4931466420  | 4058546276379 |
| 0002     | 1        | DISTANCE HOLDER     | 4931454320  | 4002395286102 |
| 0003     | 1        | SHOE REL.LEVER KIT  | 4931466421  | 4058546276386 |
| 0004     | 1        | SPRING              | 4931454321  | 4002395286119 |
| 0035     | 2        | ECCENTRIC BEARING   | 4931454304  | 4002395284740 |
| 0036     | 1        | ECCENTRIC DISC      | 4931454305  | 4002395284757 |
| 0039     | 1        | WASHER              | 4931454307  | 4002395284771 |
| 0053     | 1        | GUIDE ROLLER        | 4931472870  | 4058546331726 |
| 0054     | 1        | HOLDING PIN         | 4931472871  | 4058546331733 |
| 0055     | 1        | NUT                 | 4931466445  | 4058546276621 |
| 0056     | 2        | SCREW               | 4931435474  | 4002395891634 |
| 0067     | 1        | GLIDING SHOE        | 4931466423  | 4058546276409 |
| 0068     | 1        | ANT-CHIPPING DEVICE | 4931431787  | 4002395895700 |
| 0069     | 1        | HOLDING PLATE       | 4931454313  | 4002395285433 |
| 0070     | 1        | SCREW               | 4931466424  | 4058546276416 |
| 0071     | 1        | BASE PLATE          | 4931466425  | 4058546276423 |
| 0072     | 1        | COVER               | 4931466615  | 4058546278328 |
| 0073     | 6        | SCREW               | 4931454315  | 4002395285457 |
| 0074     | 1        | COVER               | 4931466426  | 4058546276430 |
| 0075     | 1        | DUST EXTRACTION     | 4931466446  | 4058546276638 |
| 0076     | 1        | HEX WRENCH          | 4931466430  | 4058546276478 |
| 0077     | 2        | SPRING              | 4931466431  | 4058546276485 |
| 0078     | 1        | BUTTON              | 4931466447  | 4058546276645 |
| 0079     | 2        | SPRING              | 4931466448  | 4058546276652 |
| 0080     | 2        | COVER               | 4931466449  | 4058546276669 |
| 0083     | 1        | HOLDER              | 4931466450  | 4058546276676 |
| 0084     | 6        | SCREW               | 660230016   | 4002395849840 |
| 0085     | 1        | HOLDER              | 4931466451  | 4058546276683 |
| 0090     | 1        | BUTTON              | 4931466452  | 4058546276690 |
| 0093     | 11       | SCREW               | 660024030   | 4002395826957 |
| 0095     | 1        | LABEL               | 4931466453  | 4058546276706 |
| 0100     | 1        | SPINDLE KIT         | 4931466433  | 4058546276508 |
| 0101     | 1        | BACKING PLATE       | 4931454328  | 4002395286188 |
| 0102     | 1        | SPACER PLATE        | 4931466434  | 4058546276515 |
| 0103     | 1        | GEAR                | 4931466435  | 4058546276522 |
| 0104     | 1        | SEAL                | 4931454337  | 4002395286874 |
| 0105     | 1        | GEAR BOX ASSY       | 4931466454  | 4058546276713 |
| 0106     | 1        | MOTOR ASSEMBLY      | 4931466437  | 4058546276546 |
| 0107     | 1        | BLOWER              | 4931466455  | 4058546276720 |
| 0108     | 1        | GUIDE KIT           | 4931466456  | 4058546276737 |
| 0109     | 1        | SHOE REL.LEVER KIT  | 4931466440  | 4058546276577 |
| 0110     | 1        | HOUSING             | 4931466457  | 4058546276744 |
| 0111     | 1        | SWITCH              | 4931466458  | 4058546276751 |
| 0701     | 1        | HD Box 1 - 1pc      | 4932453385  | 4002395146376 |
| 0702     | 1        | INSERT              | 4931466459  | 4058546276768 |