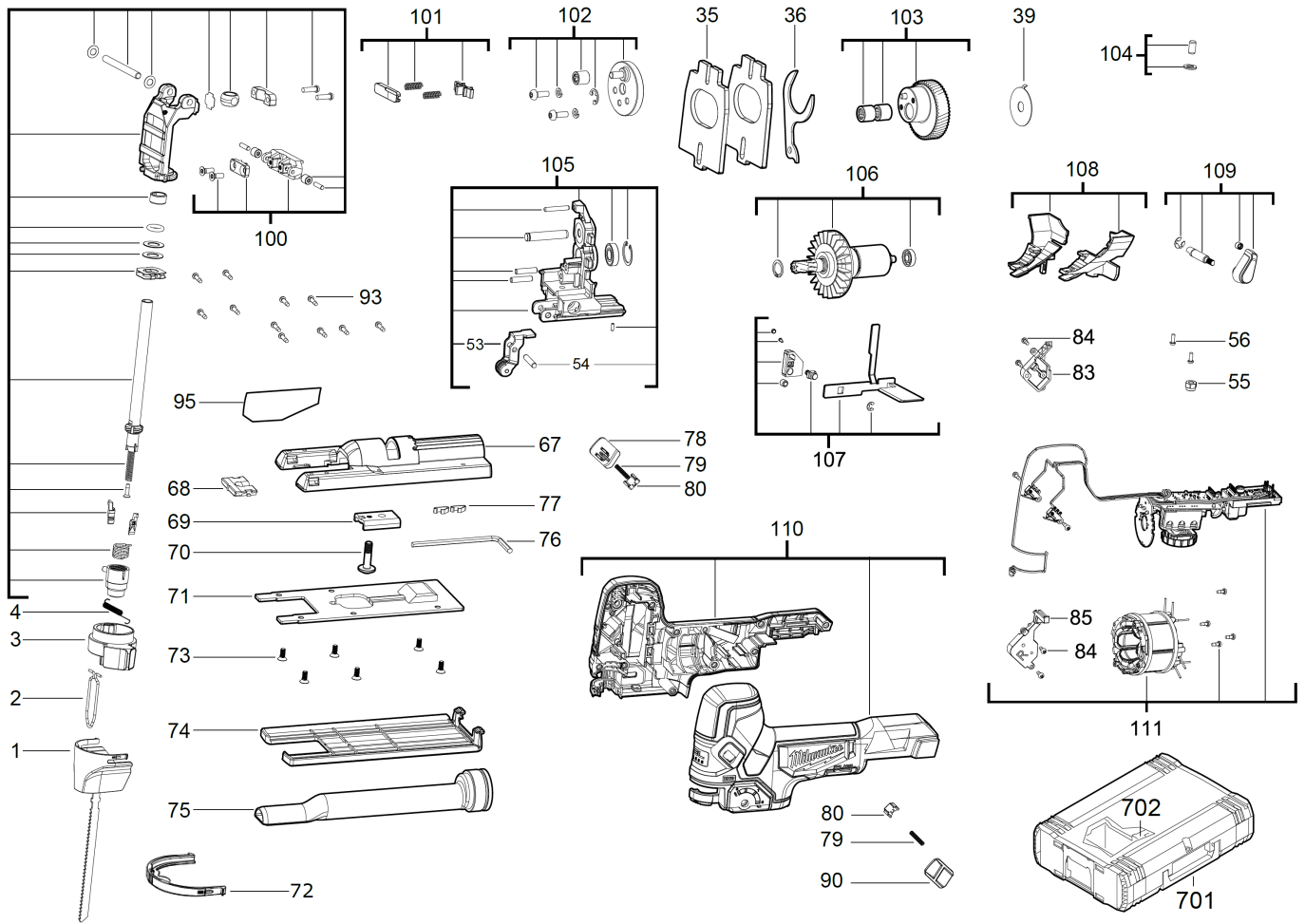


M18FBJ5-502X BTY. JIGSAW IN2

4933464800 - M18FBJ5-502X IN2 - 4000469271





Position	Quantity	Description	Part number	EAN
0001	1	COVER	4931466420	4058546276379
0002	1	DISTANCE HOLDER	4931454320	4002395286102
0003	1	SHOE REL.LEVER KIT	4931466421	4058546276386
0004	1	SPRING	4931454321	4002395286119
0035	2	ECCENTRIC BEARING	4931454304	4002395284740
0036	1	ECCENTRIC DISC	4931454305	4002395284757
0039	1	WASHER	4931454307	4002395284771
0053	1	GUIDE ROLLER	4931472870	4058546331726
0054	1	HOLDING PIN	4931472871	4058546331733
0055	1	NUT	4931466445	4058546276621
0056	2	SCREW	4931435474	4002395891634
0067	1	GLIDING SHOE	4931466423	4058546276409
0068	1	ANT-CHIPPING DEVICE	4931431787	4002395895700
0069	1	HOLDING PLATE	4931454313	4002395285433
0070	1	SCREW	4931466424	4058546276416
0071	1	BASE PLATE	4931466425	4058546276423
0072	1	COVER	4931466615	4058546278328
0073	6	SCREW	4931454315	4002395285457
0074	1	COVER	4931466426	4058546276430
0075	1	DUST EXTRACTION	4931466446	4058546276638
0076	1	HEX WRENCH	4931466430	4058546276478
0077	2	SPRING	4931466431	4058546276485
0078	1	BUTTON	4931466447	4058546276645
0079	2	SPRING	4931466448	4058546276652
0080	2	COVER	4931466449	4058546276669
0083	1	HOLDER	4931466450	4058546276676
0084	6	SCREW	660230016	4002395849840
0085	1	HOLDER	4931466451	4058546276683
0090	1	BUTTON	4931466452	4058546276690
0093	11	SCREW	660024030	4002395826957
0095	1	LABEL	4931466453	4058546276706
0100	1	SPINDLE KIT	4931466433	4058546276508
0101	1	BACKING PLATE	4931454328	4002395286188
0102	1	SPACER PLATE	4931466434	4058546276515
0103	1	GEAR	4931466435	4058546276522
0104	1	SEAL	4931454337	4002395286874
0105	1	GEAR BOX ASSY	4931466454	4058546276713
0106	1	MOTOR ASSEMBLY	4931466437	4058546276546
0107	1	BLOWER	4931466455	4058546276720
0108	1	GUIDE KIT	4931466456	4058546276737
0109	1	SHOE REL.LEVER KIT	4931466440	4058546276577
0110	1	HOUSING	4931466457	4058546276744
0111	1	SWITCH	4931466458	4058546276751
0701	1	HD Box 1 - 1pc	4932453385	4002395146376
0702	1	INSERT	4931466459	4058546276768