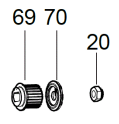
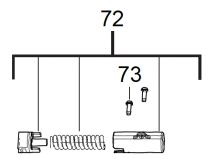
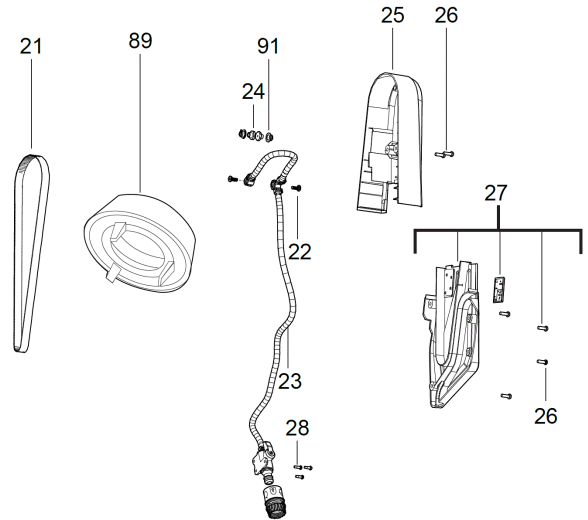
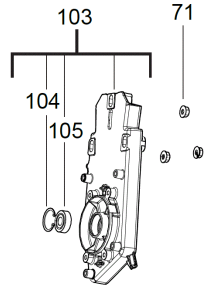
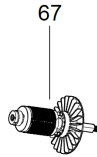
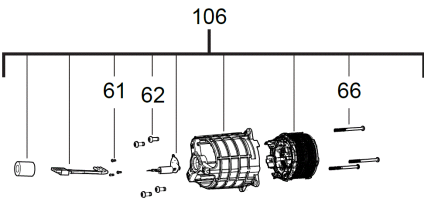
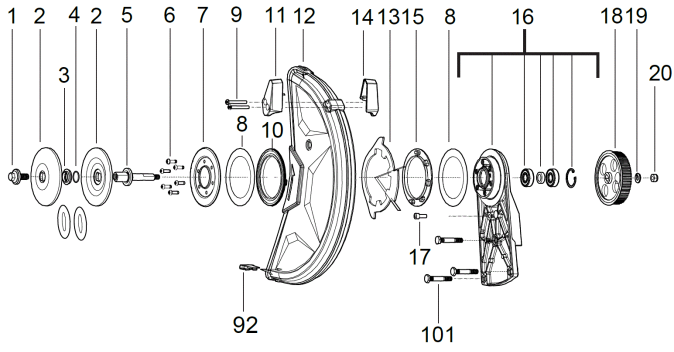
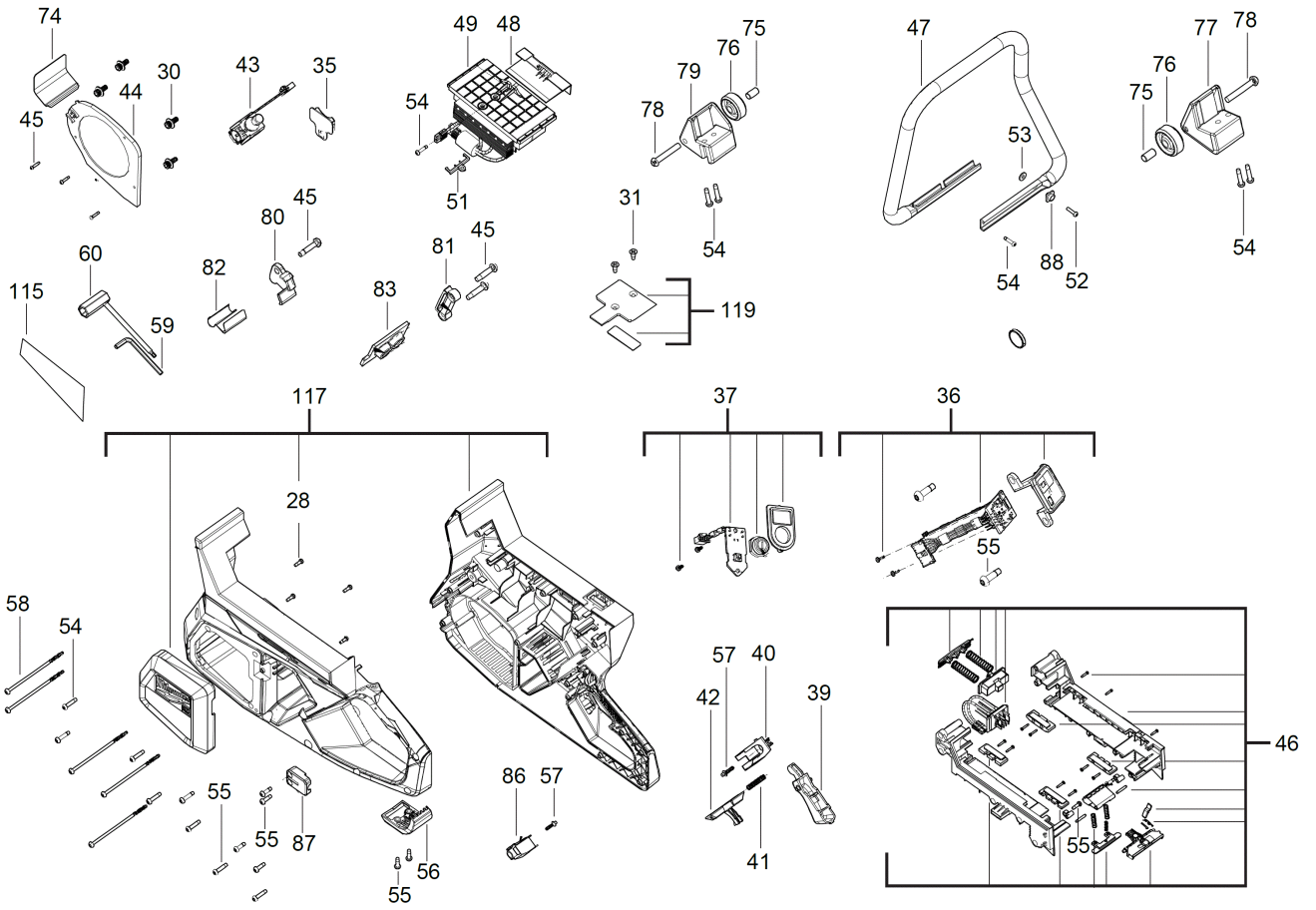


MXFCOS350-602 MX FUEL Cut off Saw IN2

4933464881 - MXFCOS350-602 - 4000474700





Position	Quantity	Description	Part number	EAN
0001	1	SCREW	4931472902	4058546332044
0002	2	FLANGE	4931472903	4058546332051
0003	1	ADAPTOR	4931472904	4058546332068
0004	1	O-RING	4931472905	4058546332075
0005	1	DRIVING SHAFT	4931472906	4058546332082
0006	6	SCREW	5131000000	
0007	1	COVER	4931472907	4058546332099
0008	2	SHIM	4931472908	4058546332105
0009	2	SCREW	4931472909	4058546332112
0010	1	GASKET	4931472910	4058546332129
0011	1	COVER	4931472911	4058546332136
0012	1	CUTTING GUARD	4931472912	4058546332143
0013	1	BUFFER PLATE	4931472913	4058546332150
0014	1	COVER	4931472914	4058546332167
0015	1	GASKET	4931472915	4058546332174
0016	1	ROCKER ARM	4931472916	4058546332181
0017	1	SCREW	661474001	4002395857562
0018	1	PULLEY	4931472917	4058546332198
0019	1	WASHER	4931465110	4058546232108
0020	2	NUT	4931472600	4058546329020
0021	1	TOOTHED BELT	4931472918	4058546332204
0022	2	SCREW	4931472919	4058546332211
0023	1	EXTENSION HOSE	4931472920	4058546332228
0024	2	SCREW	4931472921	4058546332235
0025	1	COVER	4931472922	4058546332242
0026	6	SCREW	4931453972	4002395282593
0027	1	COVER	4931472923	4058546332259
0028	7	SCREW	5131000000	
0030	4	SCREW	4931472924	4058546332266
0031	2	SCREW	4931472925	4058546332273
0035	1	ELECTRONIC ELEMENT	4931472926	4058546332280
0036	1	ELECTRONIC ELEMENT	4931472927	4058546332297
0037	1	ELECTRONIC ELEMENT	4931472928	4058546332303
0039	1	COVER	4931472929	4058546332310
0040	1	HOLDER	4931472930	4058546332327
0041	1	SPRING	40500270	4002395834105
0042	1	COVER	4931472931	4058546332334
0043	1	ELECTRONIC ELEMENT	4931472932	4058546332341
0044	1	DEFLECTOR	4931472933	4058546332358
0045	6	SCREW	660570005	4002395827329
0046	1	ACCEPTANCE	4931472934	4058546332365
0047	1	HANDLE	4931472935	4058546332372
0048	1	COVER	4931472936	4058546332389
0049	1	ELECTRONIC	4931472937	4058546332396
0051	1	CLAMP CLIP	4931472938	4058546332402
0052	1	SCREW	4931466683	4058546279004
0053	1	DAMPING WASHER	4931472939	4058546332419
0054	14	SCREW	4931465543	4058546236434
0055	8	SCREW	4931472832	4058546331344
0056	1	FOOT	4931472940	4058546332426

Position	Quantité	Désignation	Référence	EAN
0057	2	SCREW	4931465351	4058546234515
0058	5	SCREW	4931472941	4058546332433
0059	1	KEY	4931472611	4058546329136
0060	1	KEY	4931472612	4058546329143
0061	3	SCREW	4931472942	4058546332440
0062	4	SCREW	4931472943	4058546332457
0066	3	SCREW	4931472944	4058546332464
0067	1	ROTOR	4931472945	4058546332471
0069	1	PULLEY	4931472946	4058546332488
0070	1	GUIDE WASHER	4931472947	4058546332495
0071	3	NUT	4931472948	4058546332501
0072	1	TENSIONING DEVICE	4931472949	4058546332518
0073	2	SCREW	4931435313	4002395901296
0074	1	SPARK PROTECTION	4931472950	4058546332525
0075	2	BUSH	4931472951	4058546332532
0076	2	WHEEL	4931472952	4058546332549
0077	1	FOOT	4931472953	4058546332556
0078	2	SCREW	4931472954	4058546332563
0079	1	FOOT	4931472955	4058546332570
0080	1	COVER	4931472956	4058546332587
0081	1	COVER	4931472957	4058546332594
0082	1	SPRING PLATE	4931472958	4058546332600
0083	1	RETAINER	4931472959	4058546332617
0086	1	COVER	4931472960	4058546332624
0087	1	BRACKET	4931472961	4058546332631
0088	1	SPACER	4931472962	4058546332648
0089	1	TOOL	4931472963	4058546332655
0091	2	RUBBER CAP	4931472964	4058546332662
0092	1	CLIP	4931472965	4058546332679
0101	3	SCREW	4931472966	4058546332686
0103	1	ROCKER ARM	4931472967	4058546332693
0104	1	HOLDING RING	4931435476	4002395891658
0105	1	BALL BEARING	4931472968	4058546332709
0106	1	STATOR	4931472969	4058546332716
0115	1	RATING PLATE	4931472970	4058546332723
0117	1	HOUSING	4931472971	4058546332730
0119	1	COVER	4931472972	4058546332747