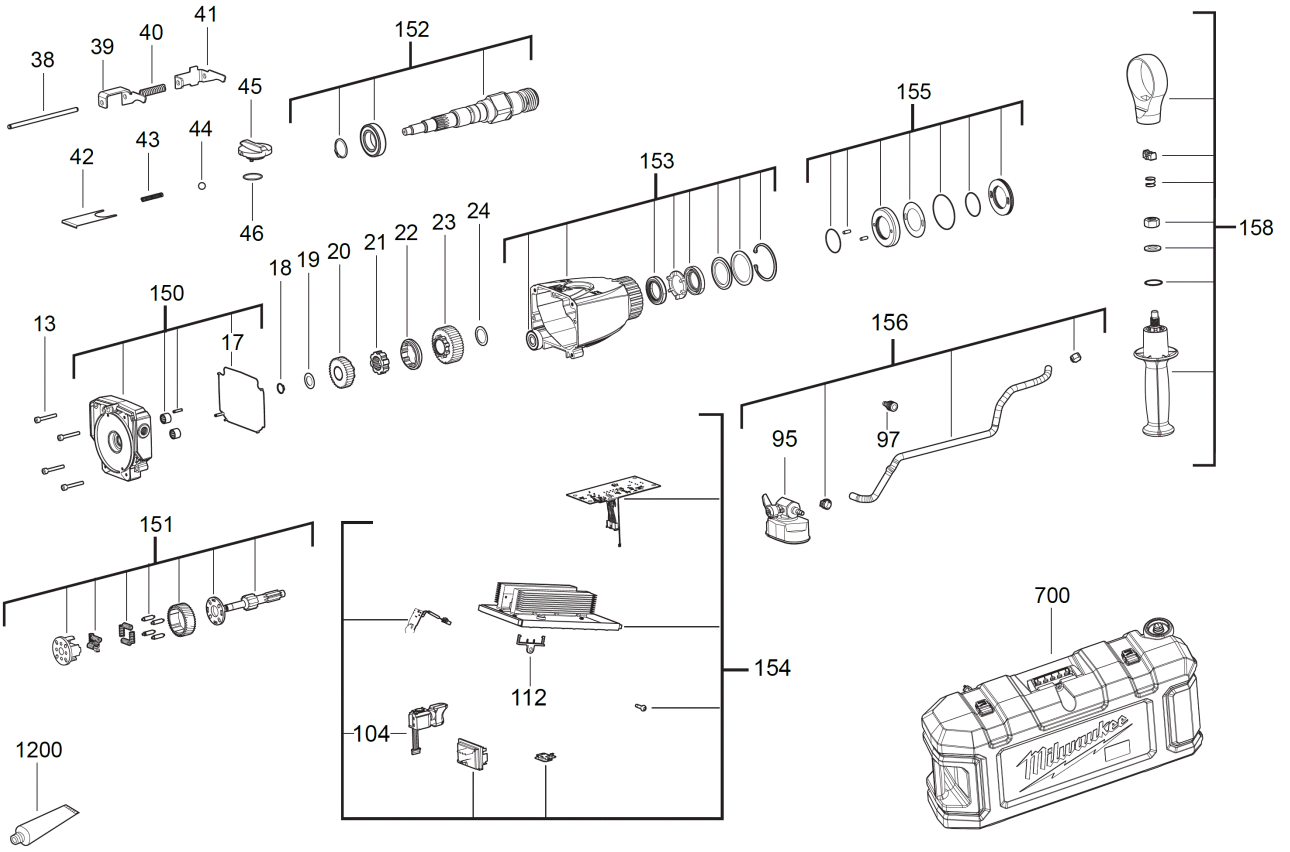
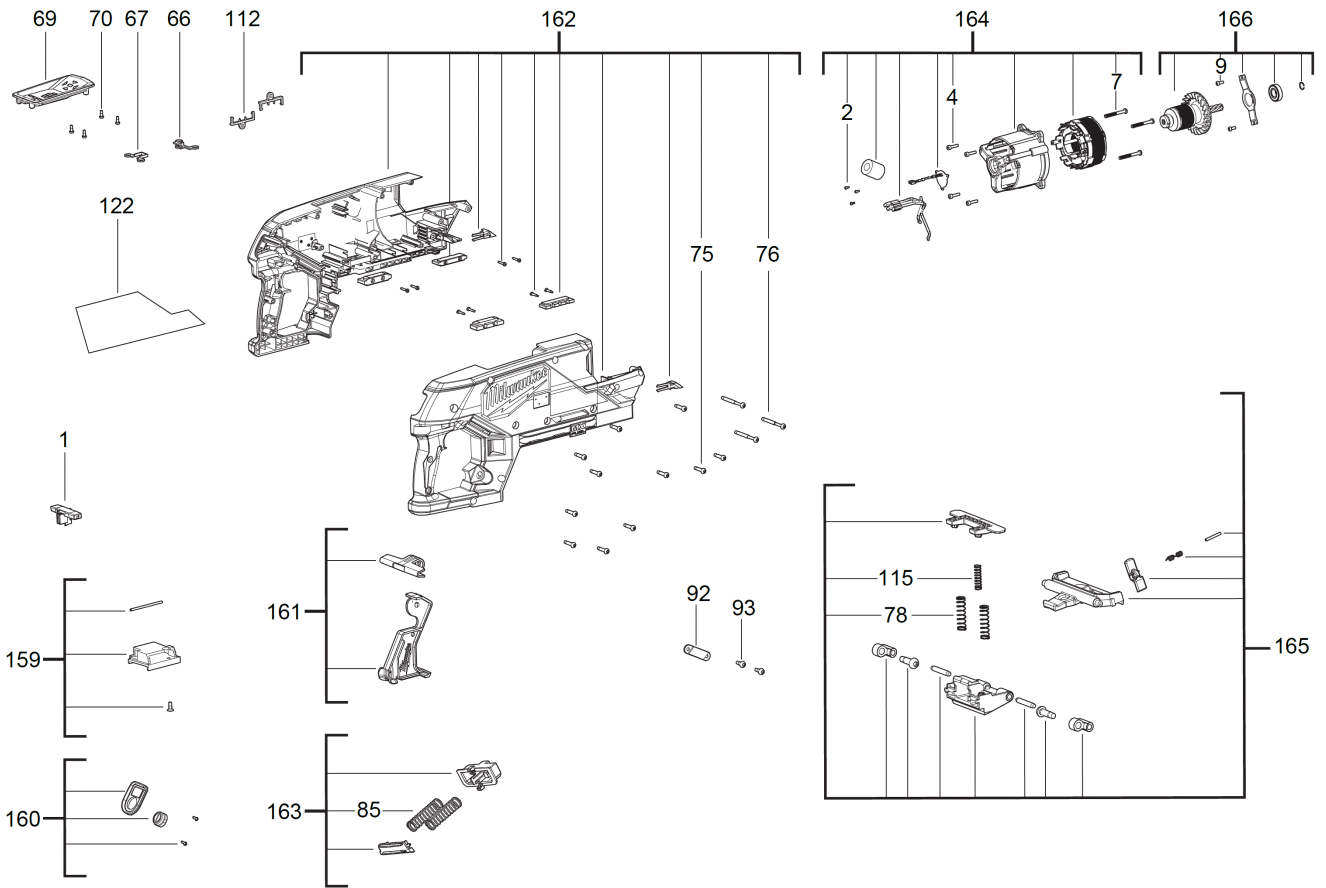


MXFDCD150-302C MX FUEL Drill Kit IN2

4933464887 - MXFDCD150-302C - 4000474605







Position	Quantity	Description	Part number	EAN
0001	1	SLIDER	4931472973	4058546332754
0002	5	SCREW	4931472942	4058546332440
0004	4	SCREW	4931453167	4002395152827
0007	3	SCREW	4931472974	4058546332761
0009	2	SCREW	4931436538	4002395251278
0013	4	SCREW	4931461352	4058546035242
0017	1	GASKET	4931472975	4058546332778
0018	1	SNAP RING	4931472833	4058546331351
0019	1	WASHER	4931472976	4058546332785
0020	1	GEAR	4931472977	4058546332792
0021	1	HUB	4931453110	4002395152049
0022	1	COUPLING	4931472978	4058546332808
0023	1	GEAR	4931472979	4058546332815
0024	1	WASHER	4931472980	4058546332822
0038	1	GUIDE BOLT	4931453101	4002395151356
0039	1	HOLDING BRACKET	4931472981	4058546332839
0040	1	SPRING	4931472982	4058546332846
0041	1	HOLDING BRACKET	4931472983	4058546332853
0042	1	CLAMPING PLATE	4931472984	4058546332860
0043	1	SPRING	4931453106	4002395152001
0044	1	BALL BEARING	4931453105	4002395151394
0045	1	TURNING KNOB	4931472985	4058546332877
0046	1	O-RING	4931453321	4002395162475
0066	1	SPACER	4931472986	4058546332884
0067	1	SPACER	4931472987	4058546332891
0069	1	HOUSING CAP	4931472988	4058546332907
0070	4	SCREW	4931435015	4002395856633
0075	11	SCREW	4931465543	4058546236434
0076	3	SCREW	4931453095	4002395150694
0078	2	SPRING	4931472989	4058546332914
0085	2	SPRING	4931472990	4058546332921
0092	1	CLAMP	4931472991	4058546332938
0093	2	SCREW	4931461485	4058546037185
0095	1	VALVE	4931472992	4058546332945
0097	1	CONNECTOR	4931472993	4058546332952
0104	1	SWITCH	4931473224	4058546335267
0112	3	CLAMP CLIP	4931472938	4058546332402
0115	1	SPRING	4931472994	4058546332969
0122	1	RATING PLATE	4931472995	4058546332976
0150	1	DIAPHRAGM ASSY	4931472996	4058546332983
0151	1	CLUTCH	4931472997	4058546332990
0152	1	SPINDLE KIT	4931472998	4058546333003
0153	1	GEAR BOX ASSY	4931472999	4058546333010
0154	1	ELECTRONIC	4931473000	4058546333027
0155	1	FLANGE	4931473001	4058546333034
0156	1	HOSE	4931473002	4058546333041
0158	1	AUXILIARY HANDLE	4931473003	4058546333058
0159	1	CAP	4931473004	4058546333065
0160	1	CAP	4931473005	4058546333072
0161	1	LOCKING PIECE	4931473006	4058546333089

Position	Quantité	Désignation	Référence	EAN
0162	1	HOUSING	4931473007	4058546333096
0163	1	EJECTOR	4931473008	4058546333102
0164	1	STATOR	4931473009	4058546333119
0165	1	LATCH	4931473010	4058546333126
0166	1	ROTOR	4931473011	4058546333133
0700	1	CARRYING CASE	4931473012	4058546333140
1200	1	GREASE	49085270	4058546075040