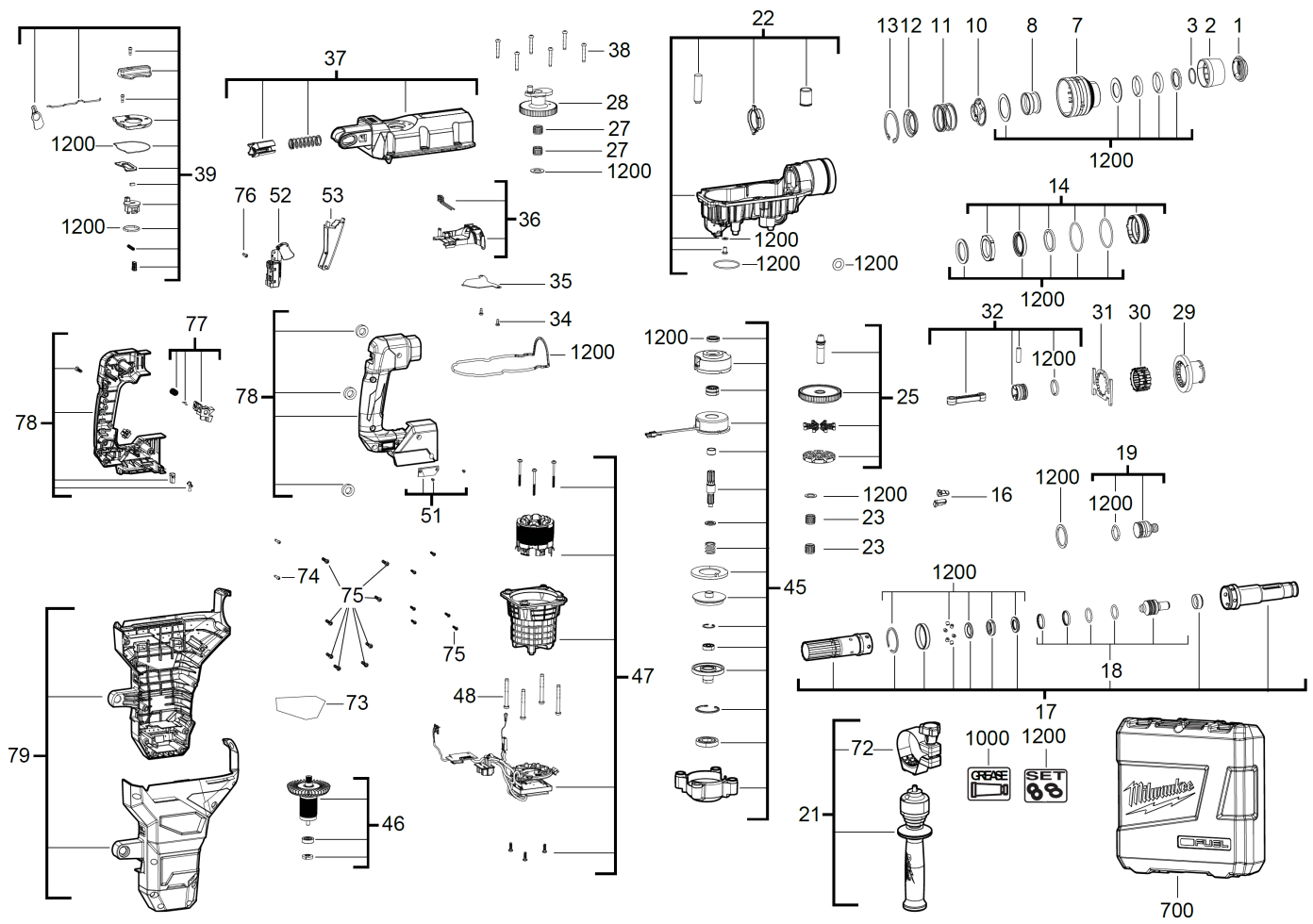


M18FHM-0C SDS MAX BTY. COMBI HAMMER XXX

4933464893 - M18FHM-0C - 4000469696





Position	Quantity	Description	Part number	EAN
0001	1	RUBBER CAP	4931435353	4002395889136
0002	1	CAP	4931435133	4002395858576
0003	1	HOLDING RING	4931435134	4002395858583
0007	1	COLLAR	4931435138	4002395859221
0008	1	INTERLOCK SLEAVE	4931435139	4002395859238
0010	1	INTERLOCK ELEMENT	4931466761	4058546279783
0011	1	SPRING	4931435140	4002395859245
0012	1	PLATE	633152001	4002395857708
0013	1	PROTECTION WASHER	4931435141	4002395859252
0014	1	BEARING END PLATE	4931466634	4058546278519
0016	2	CAM	4931435144	4002395859283
0017	1	SPINDLE KIT	4931466635	4058546278526
0018	1	SNAP DIE	4931466636	4058546278533
0019	1	PERCUSSION BODY	4931466637	4058546278540
0021	1	AUXILIARY HANDLE	4931466638	4058546278557
0022	1	GEAR BOX	4931466639	4058546278564
0023	2	NEEDLE BEARING	4931466640	4058546278571
0025	1	SLIP CLUTCH	4931466641	4058546278588
0027	2	NEEDLE BEARING	4931435168	4002395860623
0028	1	CRANK WHEEL	4931466642	4058546278595
0029	1	BEVEL GEAR	4931466643	4058546278601
0030	1	SET COLLAR	4931466644	4058546278618
0031	1	LOCKING PLATE	4931466645	4058546278625
0032	1	PISTON	4931466646	4058546278632
0034	2	SCREW	661189001	4002395855148
0035	1	LATCH PLATE	4931466647	4058546278649
0036	1	ADJUSTING PIECE	4931466648	4058546278656
0037	1	GEAR BOX COVER	4931466649	4058546278663
0038	6	SCREW	4931435158	4002395860722
0039	1	SWITCH	4931466650	4058546278670
0045	1	COUPLING SET	4931466651	4058546278687
0046	1	ARMATURE ASSEMBLY	4931466652	4058546278694
0047	1	MOTOR ASSEMBLY	4931466653	4058546278700
0048	4	SCREW	4931466654	4058546278717
0051	1	PROTECTIVE CAP	4931466655	4058546278724
0052	1	SWITCH	4931465965	4058546271824
0053	1	SWITCH COVER	4931466656	4058546278731
0072	1	BAND	4931466657	4058546278748
0073	1	RATING PLATE	4931466658	4058546278755
0074	2	SCREW	660031017	4002395825189
0075	15	SCREW	4931466659	4058546278762
0076	1	SCREW	4931447515	4002395880539
0077	1	LOCKING PIECE	4931466660	4058546278779
0078	1	HANDLE SET	4931466661	4058546278786
0079	1	HOUSING	4931466662	4058546278793
0700	1	CARRYING CASE	4931466663	4058546278809
1000	2	GREASE	4931455865	4002395245925
1200	1	MAINTENANCE SET	4931466664	4058546278816