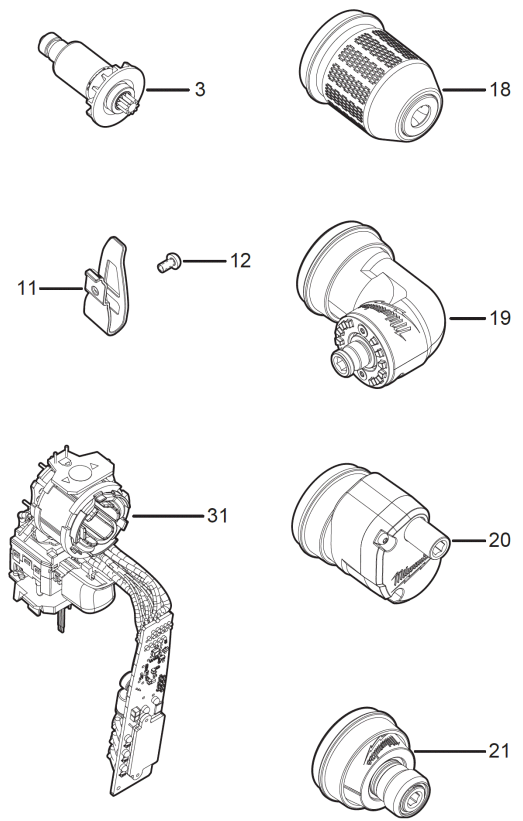
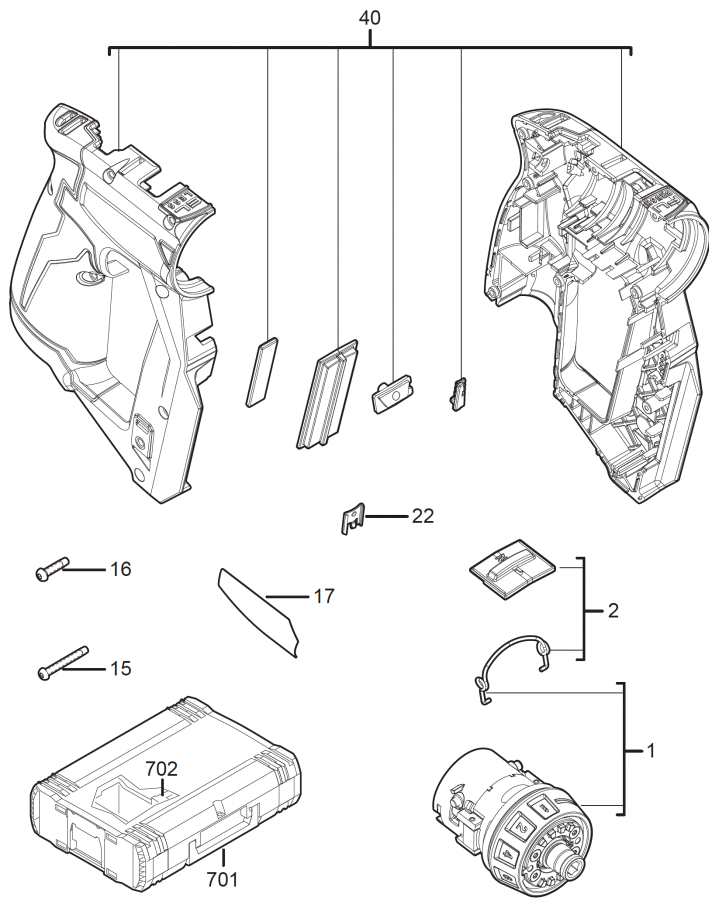


M12FDDX-0 Installation Drill/Driver XXX

4933464978 - M12FDDX-0 - 4000474430





Position	Quantity	Description	Part number	EAN
0001	1	GEAR BOX	4931472338	4058546285555
0002	1	SWITCH	4931472339	4058546285562
0003	1	ROTOR	4931472340	4058546285579
0011	1	STAMP	4931436593	4002395255856
0012	1	SCREW	4931465986	4058546272036
0015	3	SCREW	4931465898	4058546239985
0016	6	SCREW	660570005	4002395827329
0017	1	RATING PLATE	4931472341	4058546285586
0018	1	QUICK CHANGE CHUCK	4931472342	4058546285593
0019	1	ANGLE DRILL HEAD	4931472343	4058546285609
0020	1	ANGLE ATTACHMENT	4931472344	4058546285616
0021	1	QUICK CHANGE CHUCK	4931472345	4058546285623
0022	1	CONNECTOR	4931436292	4002395252909
0031	1	ELECTRONIC	4931472346	4058546285630
0040	1	HOUSING	4931472347	4058546285647
0702	1	INSERT	4931472348	4058546285654
0701	1	HD Box 1 - 1pc	4932453385	4002395146376