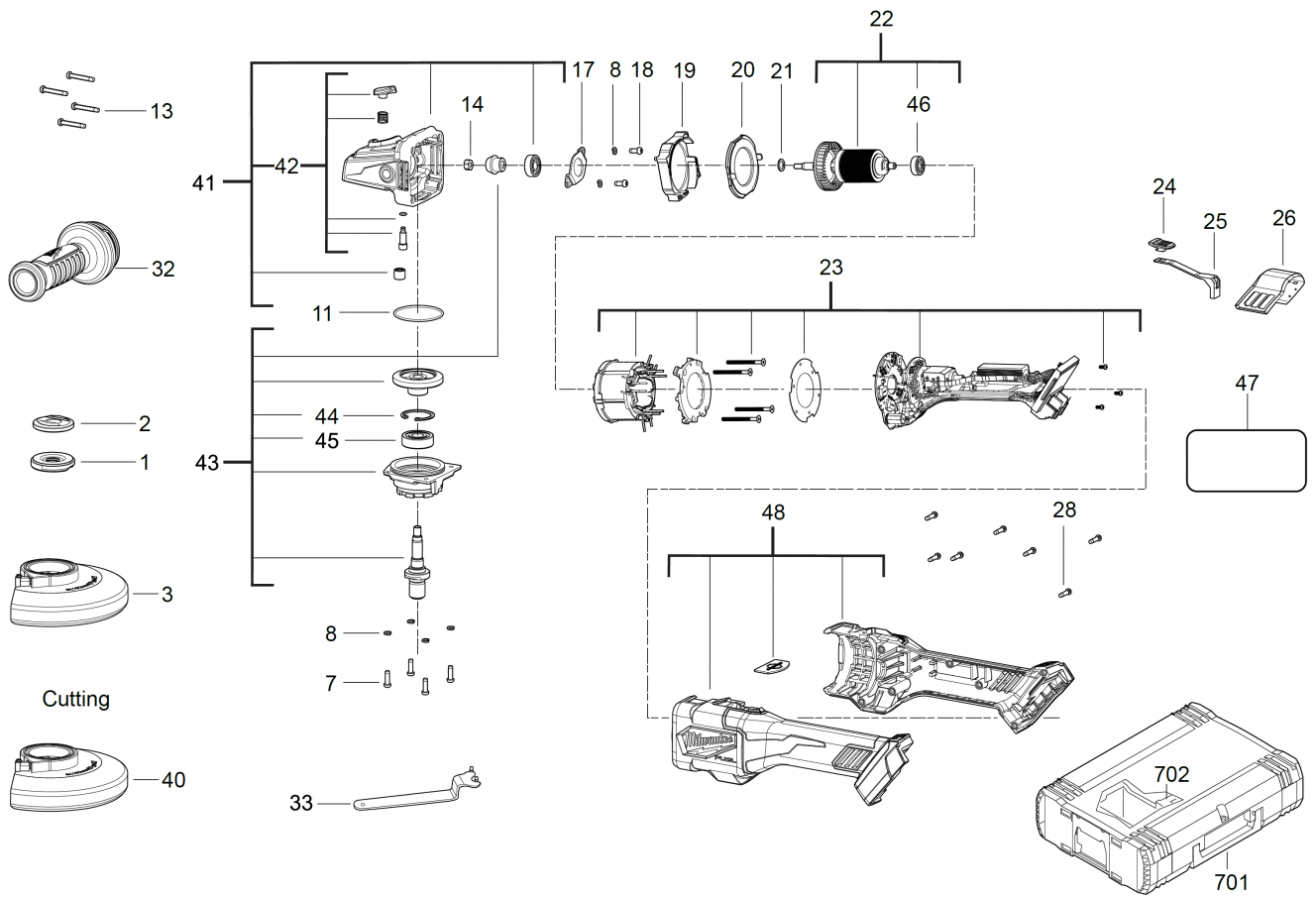


M18FHSAG125XB-552X PERF. BR. GRINDER IN2

4933471079 - M18FHSAG125XB-552X - 4000469710





Position	Quantity	Description	Part number	EAN
0001	1	FIXTEC NUT	4931466273	4058546274900
0002	1	FLANGE	4931466915	4058546281328
0003	1	GUARD	4931466914	4058546281311
0007	4	SCREW	4931435150	4002395859948
0008	6	PROTECTION WASHER	680866003	4002395823895
0011	1	O-RING	570699002	4002395824472
0013	4	SCREW	4931435023	4002395857302
0014	1	NUT	671686001	4002395824526
0017	1	BEARING CAGE	672569001	4002395824533
0018	2	SCREW	660165015	4002395849826
0019	1	AIR DEFLECTOR RING	4931454165	4002395286393
0020	1	AIR DEFLECTOR RING	4931436011	4002395875368
0021	1	WASHER	632876001	4002395829989
0022	1	ROTOR	4931466916	4058546281335
0023	1	ELECTRONIC	4931466943	4058546281601
0024	1	LOCK COMPLETE	4931466944	4058546281618
0025	1	SLIDER	4931466945	4058546281625
0026	1	DUST GUARD	4931466918	4058546281359
0028	7	SCREW	660031017	4002395825189
0032	1	AUXILIARY HANDLE	4931435002	4002395855919
0033	1	WRENCH	4931466910	4058546281274
0040	1	GUARD CAP	4931452115	4002395180929
0041	1	GEAR BOX	4931466921	4058546281380
0042	1	SPINDLE LOCK	4931466922	4058546281397
0043	1	SPINDLE KIT	4931466923	4058546281403
0044	1	HOLDING RING	4931435476	4002395891658
0045	1	BALL BEARING	4931466315	4058546275327
0046	1	BALL BEARING	4931466924	4058546281410
0047	1	RATING PLATE	4931466946	4058546281632
0048	1	HOUSING	4931466948	4058546281656
0701	1	HD Box 1 - 1pc	4932453385	4002395146376
0702	1	INSERT	4931466928	4058546281458