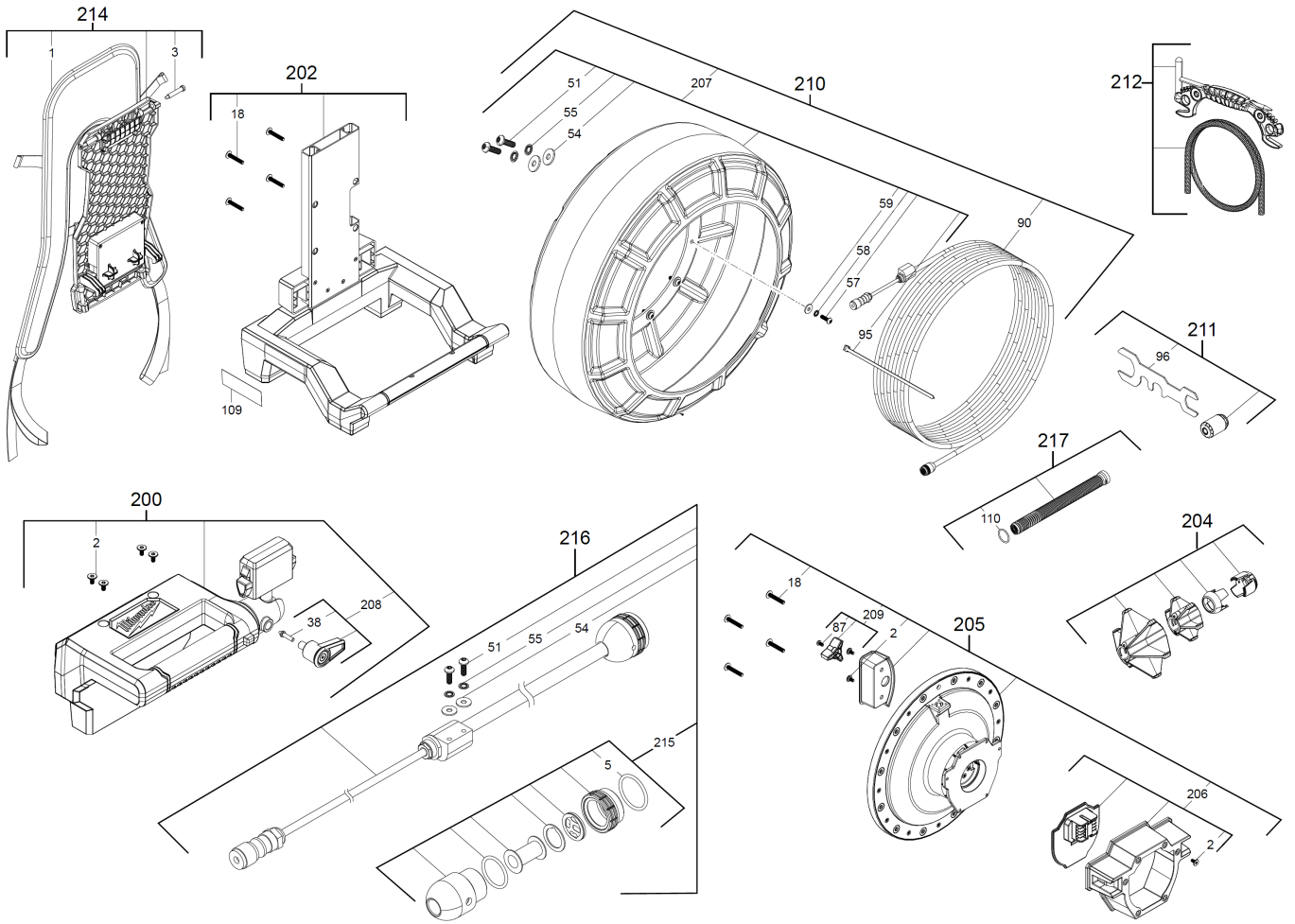


M18SIC36 SEWER INSP. CAMERA 36M XXX

4933471413 - M18SIC36-0 - 4000477320





Position	Quantity	Description	Part number	EAN
0001	1	STRAP	4931473596	4058546354725
0002	12	SCREW	4931473597	4058546354732
0003	4	SCREW	4931473598	4058546354749
0005	1	O-RING	4931473599	4058546354756
0018	4	SCREW	4931473600	4058546354763
0038	1	SCREW	4931473601	4058546354770
0051	4	SCREW	4931473602	4058546354787
0054	4	SEALING WASHER	4931473603	4058546354794
0055	4	LOOKED WASHER	4931473604	4058546354800
0057	12	SCREW	4931473605	4058546354817
0058	12	LOOKED WASHER	4931473606	4058546354824
0059	12	SEALING WASHER	4931473607	4058546354831
0087	1	SCREW	4931473608	4058546354848
0090	1	CABLE	4931473609	4058546354855
0095	3	CABLE JOINT	4931473610	4058546354862
0096	1	WRENCH	4931473611	4058546354879
0109	1	RATING PLATE	4931473612	4058546354886
0110	1	O-RING	4931473613	4058546354893
0200	1	HANDLE SET	4931473614	4058546354909
0202	1	HOLDING DEVICE	4931473615	4058546354916
0204	1	GUIDE SLEEVE	4931473616	4058546354923
0205	1	CLAMPING SET	4931473617	4058546354930
0206	1	HOUSING	4931473618	4058546354947
0207	1	MOULDED PART	4931473619	4058546354954
0208	1	TURNING KNOB	4931473620	4058546354961
0209	1	TURNING KNOB	4931473621	4058546354978
0210	1	CABLE	4931473622	4058546354985
0211	1	INSPECTION CAMERA	4931473623	4058546354992
0212	1	CABLE	4931473526	4058546354022
0214	1	WAISTBELT	4931473624	4058546355005
0215	1	GUIDE	4931473625	4058546355012
0216	1	CABLE	4931473626	4058546355029
0217	1	SPRING	4931473627	4058546355036