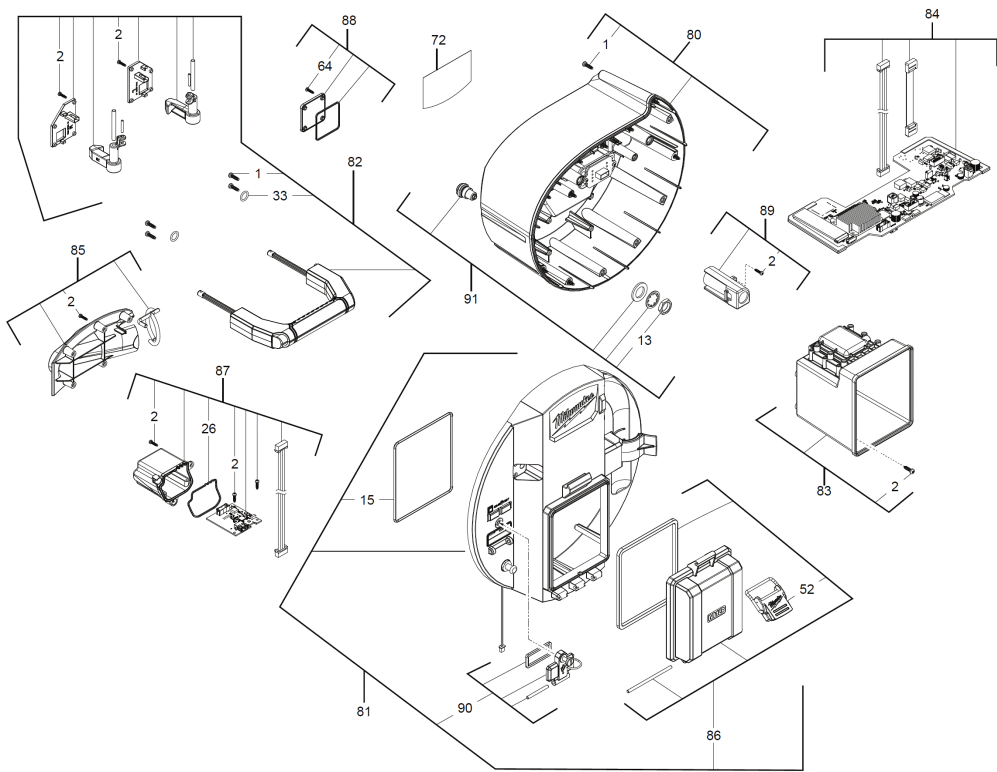


M18SISH-0 M18 SEWER INSP. SMART HUB XXX

4933471415 - M18SISH-0 - 4000477327





| Position | Quantity | Description | Part number | EAN |
|----------|----------|--------------|-------------|---------------|
| 0001 | 21 | SCREW | 4931473647 | 4058546355234 |
| 0002 | 15 | SCREW | 4931473648 | 4058546355241 |
| 0013 | 1 | LOCK NUT | 4931473667 | 4058546355432 |
| 0015 | 1 | GASKET | 4931473668 | 4058546355449 |
| 0026 | 1 | GASKET | 4931473669 | 4058546355456 |
| 0033 | 2 | O-RING | 4931473670 | 4058546355463 |
| 0052 | 1 | LATCH | 4931473671 | 4058546355470 |
| 0064 | 4 | SCREW | 4931473653 | 4058546355296 |
| 0072 | 1 | RATING PLATE | 4931473672 | 4058546355487 |
| 0080 | 1 | HOUSING | 4931473673 | 4058546355494 |
| 0081 | 1 | HOUSING | 4931473674 | 4058546355500 |
| 0082 | 1 | HANDLE SET | 4931473675 | 4058546355517 |
| 0083 | 1 | HOUSING | 4931473676 | 4058546355524 |
| 0084 | 1 | ELECTRONIC | 4931473677 | 4058546355531 |
| 0085 | 1 | HOUSING | 4931473678 | 4058546355548 |
| 0086 | 1 | HOUSING | 4931473679 | 4058546355555 |
| 0087 | 1 | ELECTRONIC | 4931473680 | 4058546355562 |
| 0088 | 1 | COVER | 4931473681 | 4058546355579 |
| 0089 | 1 | CLAMP | 4931473682 | 4058546355586 |
| 0090 | 1 | COVER | 4931473683 | 4058546355593 |
| 0091 | 1 | ELECTRONIC | 4931473684 | 4058546355609 |