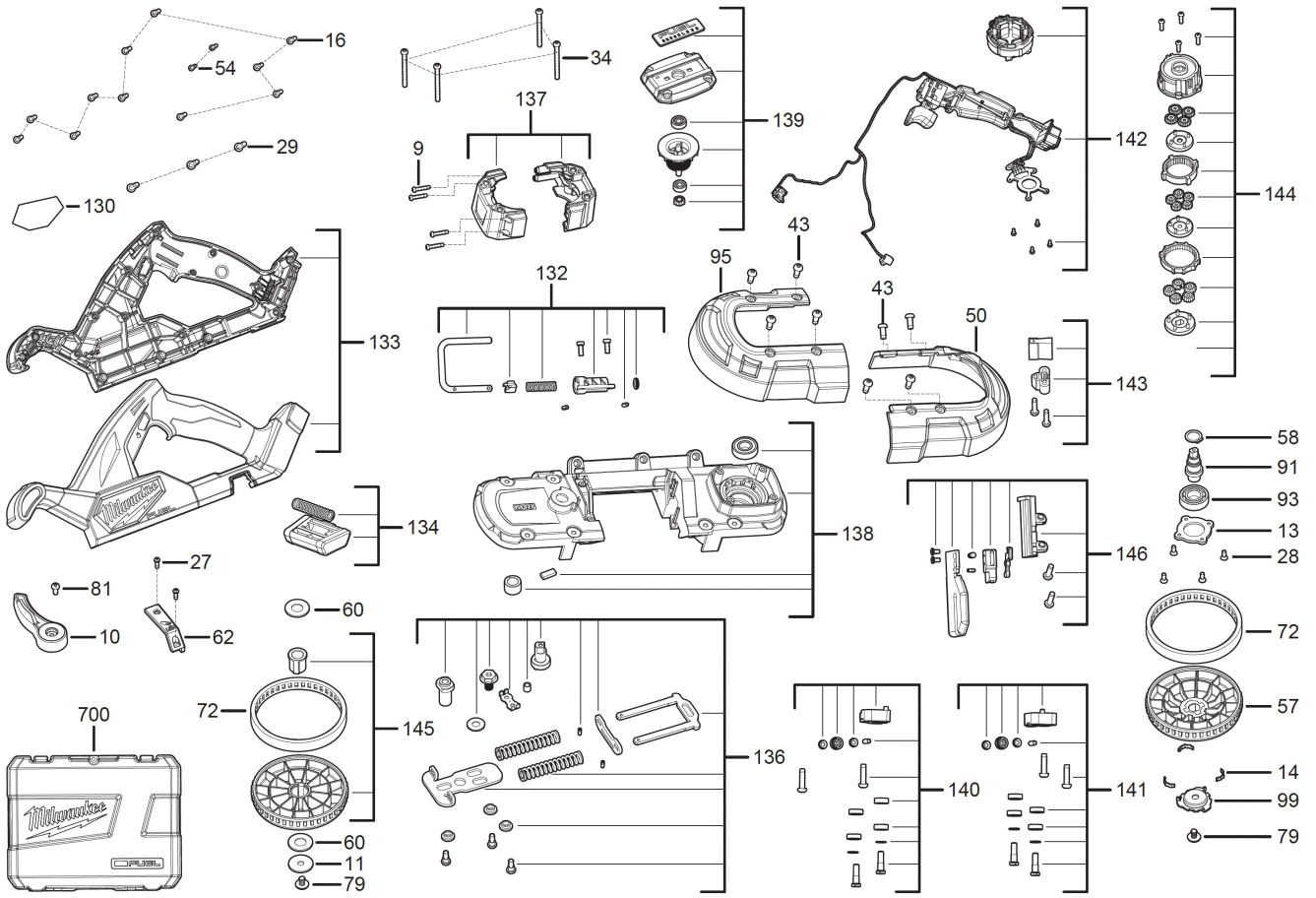


M18FBS85-202C COMP. BAND SAW 2AH KIT IN2

4933471497 - M18FBS85-202C IN2 - 4000474678





Position	Quantity	Description	Part number	EAN
0009	4	SCREW	660230017	4002395839742
0010	1	TENSION LEVER	4931472747	4058546330491
0011	1	WASHER	633266001	4002395829996
0013	1	PLATE	4931472748	4058546330507
0014	3	SPRING PLATE	4931472749	4058546330514
0016	11	SCREW	4931453119	4002395152735
0027	2	SCREW	661414002	4002395848669
0028	4	SCREW	4931472750	4058546330521
0029	3	SCREW	4931465543	4058546236434
0034	4	SCREW	4931436424	4002395248926
0043	8	SCREW TORX SCREW	06825314	4002395851935
0050	1	GUARD	4931472752	4058546330545
0054	2	SCREW	4931465499	4058546235994
0057	1	PULLEY	4931472753	4058546330552
0058	1	SNAP RING	4931472754	4058546330569
0060	2	WASHER	560189001	4002395829903
0062	1	HOLDING BRACKET	4931472755	4058546330576
0072	2	PLANET WHEEL	4931472756	4058546330583
0079	2	SCREW	661299001	4002395829804
0081	1	SCREW	4931472757	4058546330590
0091	1	SHAFT	4931472758	4058546330606
0093	1	BALL BEARING	4931472759	4058546330613
0095	1	GUARD	4931472760	4058546330620
0099	1	WASHER	4931472761	4058546330637
0130	1	RATING PLATE	4931472762	4058546330644
0132	1	HOOK	4931472763	4058546330651
0133	1	HANDLE SHELLS	4931472764	4058546330668
0134	1	LOCK	4931472765	4058546330675
0136	1	TENSIONING DEVICE	4931472766	4058546330682
0137	1	HOUSING SET ASSY	4931472767	4058546330699
0138	1	BEARING END PLATE	4931472768	4058546330705
0139	1	MOTOR ASSEMBLY	4931472769	4058546330712
0140	1	STEERING PULLEY	4931472770	4058546330729
0141	1	STEERING PULLEY	4931472771	4058546330736
0142	1	ELECTRONIC	4931472772	4058546330743
0143	1	STEEL WIRE BRUSH	4931472773	4058546330750
0144	1	GEAR BOX	4931472774	4058546330767
0145	1	PULLEY	4931472775	4058546330774
0146	1	GUIDE SHOE	4931472776	4058546330781
0700	1	CARRYING CASE	4931472777	4058546330798