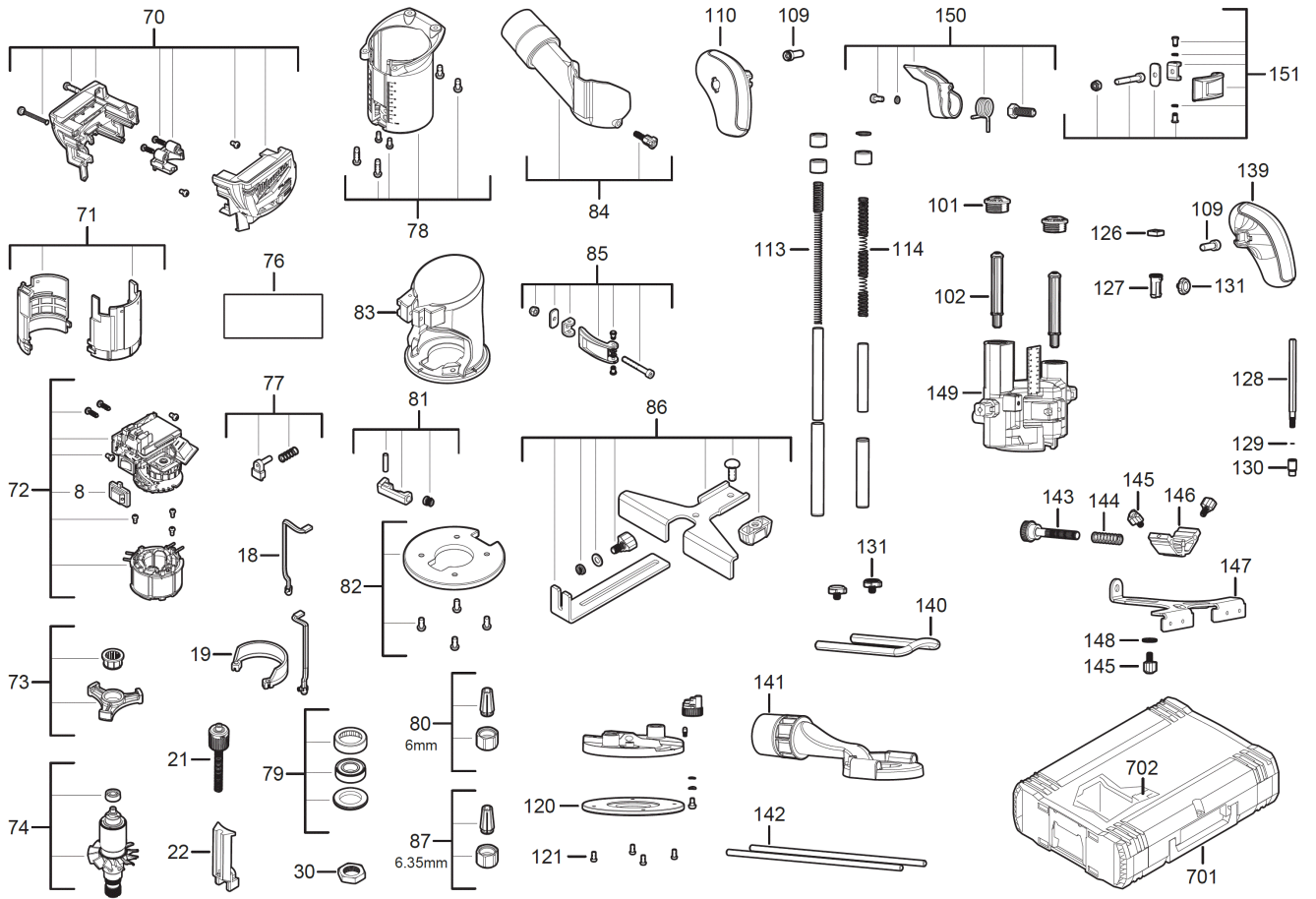


M18FTR-0X FUEL TRIM ROUTER XXX

4933471604 - M18FTR-0X - 4000474460





| Position | Quantity | Description | Part number | EAN |
|----------|----------|---------------------|-------------|---------------|
| 0008 | 1 | COVER | 4931472628 | 4058546329303 |
| 0018 | 2 | LAMP | 4931472629 | 4058546329310 |
| 0019 | 1 | CLAMP | 4931472630 | 4058546329327 |
| 0021 | 1 | ALTITUDE ADJUSTMENT | 4931472631 | 4058546329334 |
| 0022 | 1 | HOLDER | 4931472632 | 4058546329341 |
| 0030 | 1 | NUT | 4931472633 | 4058546329358 |
| 0070 | 1 | GRIP | 4931472634 | 4058546329365 |
| 0071 | 1 | MOTOR HOUSING | 4931472635 | 4058546329372 |
| 0072 | 1 | ELECTRONIC | 4931472636 | 4058546329389 |
| 0073 | 1 | BEARING END PLATE | 4931472637 | 4058546329396 |
| 0074 | 1 | ROTOR | 4931472638 | 4058546329402 |
| 0076 | 1 | RATING PLATE | 4931472639 | 4058546329419 |
| 0077 | 1 | LOCK COMPLETE | 4931472640 | 4058546329426 |
| 0078 | 1 | SLEEVE | 4931472641 | 4058546329433 |
| 0079 | 1 | BALL BEARING | 4931472642 | 4058546329440 |
| 0080 | 1 | COLLET | 4931472643 | 4058546329457 |
| 0081 | 1 | LOCK COMPLETE | 4931472644 | 4058546329464 |
| 0082 | 1 | BASE PLATE | 4931472645 | 4058546329471 |
| 0083 | 1 | HOUSING | 4931472646 | 4058546329488 |
| 0084 | 1 | DUST EXTR.CONNECTOR | 4931472647 | 4058546329495 |
| 0085 | 1 | CLAMPING LEVER | 4931472648 | 4058546329501 |
| 0086 | 1 | STOP | 4931472649 | 4058546329518 |
| 0087 | 1 | COLLET | 4931472650 | 4058546329525 |
| 0101 | 2 | CAP | 4931472651 | 4058546329532 |
| 0102 | 2 | PIN | 4931472652 | 4058546329549 |
| 0109 | 2 | SCREW | 4931465533 | 4058546236335 |
| 0110 | 1 | GRIP | 4931472653 | 4058546329556 |
| 0113 | 1 | SPRING | 4931472654 | 4058546329563 |
| 0114 | 1 | SPRING | 4931472655 | 4058546329570 |
| 0120 | 1 | BASE PLATE | 4931472656 | 4058546329587 |
| 0121 | 4 | SCREW | 4931461787 | 4058546040208 |
| 0126 | 1 | INDICATOR SET | 4931472657 | 4058546329594 |
| 0127 | 1 | CAP | 4931472658 | 4058546329600 |
| 0128 | 1 | DEPTH GAUGE | 4931472659 | 4058546329617 |
| 0129 | 1 | O-RING | 4931472660 | 4058546329624 |
| 0130 | 1 | SCREW SOCKET | 4931472661 | 4058546329631 |
| 0131 | 3 | KNOB | 4931472662 | 4058546329648 |
| 0139 | 1 | GRIP | 4931472663 | 4058546329655 |
| 0140 | 1 | YOKE | 4931472664 | 4058546329662 |
| 0141 | 1 | DUST EXTR.CONNECTOR | 4931472665 | 4058546329679 |
| 0142 | 2 | ROD | 4931472666 | 4058546329686 |
| 0143 | 1 | ADJUSTING BUTTON | 4931472667 | 4058546329693 |
| 0144 | 1 | SPRING | 4931472668 | 4058546329709 |
| 0145 | 3 | KNOB | 4931472669 | 4058546329716 |
| 0146 | 1 | FRAME | 4931472670 | 4058546329723 |
| 0147 | 2 | PARALLEL GUIDE | 4931472671 | 4058546329730 |
| 0148 | 1 | WASHER | 45888461 | 4002395775354 |
| 0149 | 1 | SCALE | 4931472672 | 4058546329747 |
| 0150 | 1 | LOCK COMPLETE | 4931472673 | 4058546329754 |
| 0151 | 1 | LATCH | 4931472626 | 4058546329280 |

| Position | Quantité | Désignation | Référence | EAN |
|-----------------|-----------------|--------------------|------------------|---------------|
| 0701 | 1 | HD Box 3 - 1pc | 4932453386 | 4002395143634 |
| 0702 | 1 | INSERT | 4931472674 | 4058546329761 |