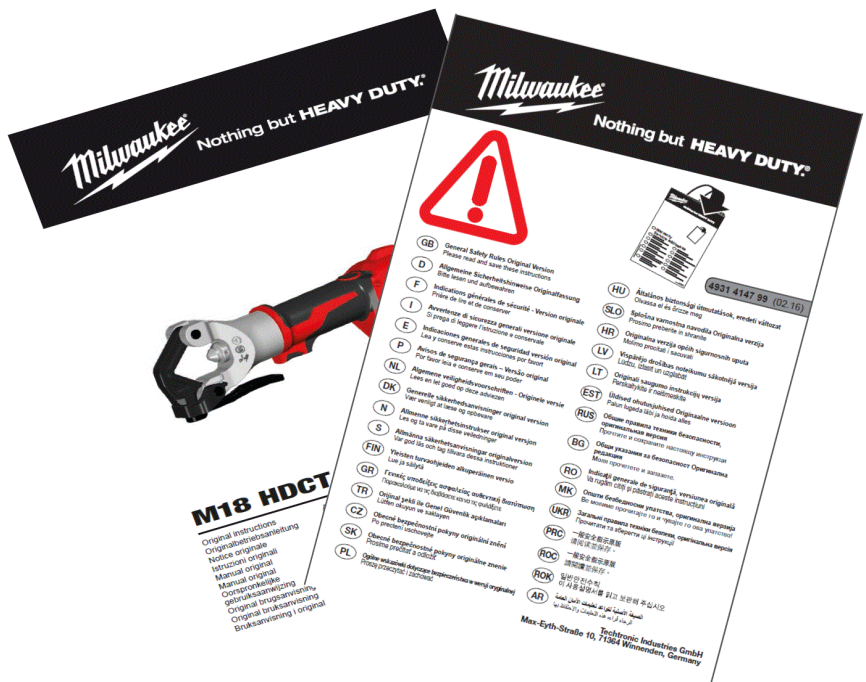
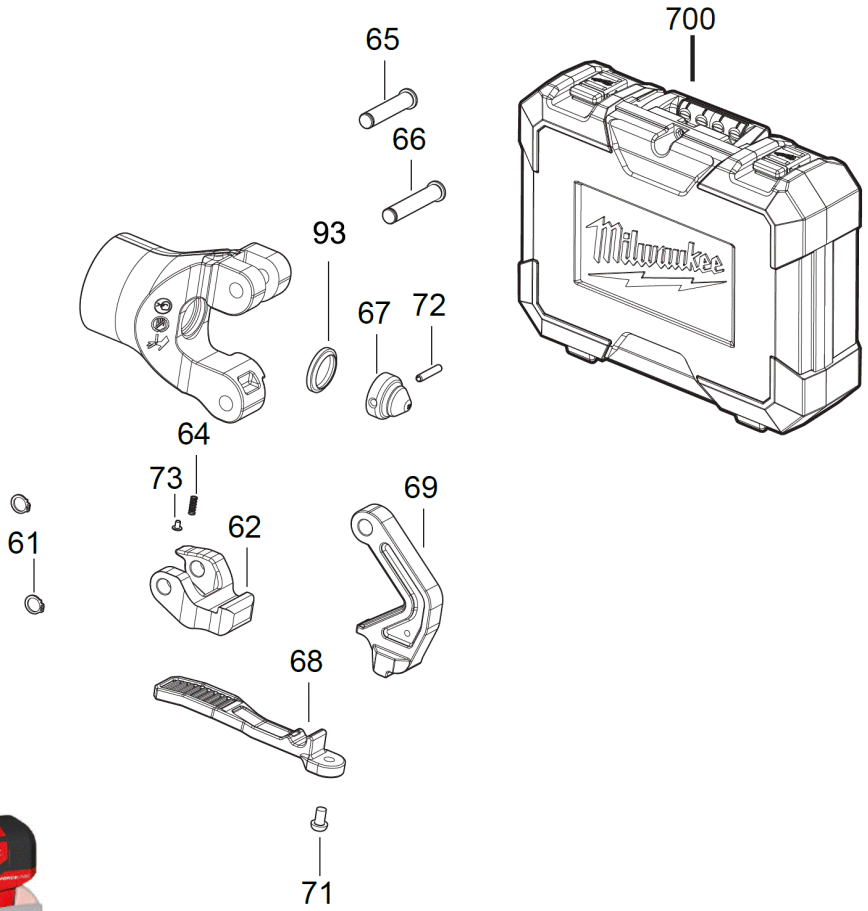
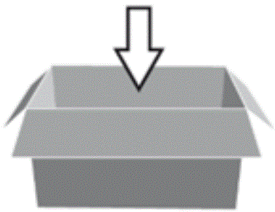


M18HDCT-202C HYDR.DIELESS CRIMP.TOOL IN2

4933471950 - M18HDCT-202C - 4000474095



Force Logic™



Position	Quantity	Description	Part number	EAN
0061	2	SPRING RING	4931461278	4058546034504
0062	1	LATCH	4931473037	4058546333393
0064	1	SPRING	4931473039	4058546333416
0065	1	PIN	4931473040	4058546333423
0066	1	PIN	4931473041	4058546333430
0067	1	PRESS JAWS	4931473042	4058546333447
0068	1	LEVER	4931473043	4058546333454
0069	1	PRESS PART	4931473044	4058546333461
0071	1	SCREW	4931473045	4058546333478
0072	1	PIN	4931473046	4058546333485
0073	1	PIN	4931473047	4058546333492
0093	1	SEAL RING	4931473066	4058546333683
0700	1	CARRYING CASE	4931473067	4058546333690