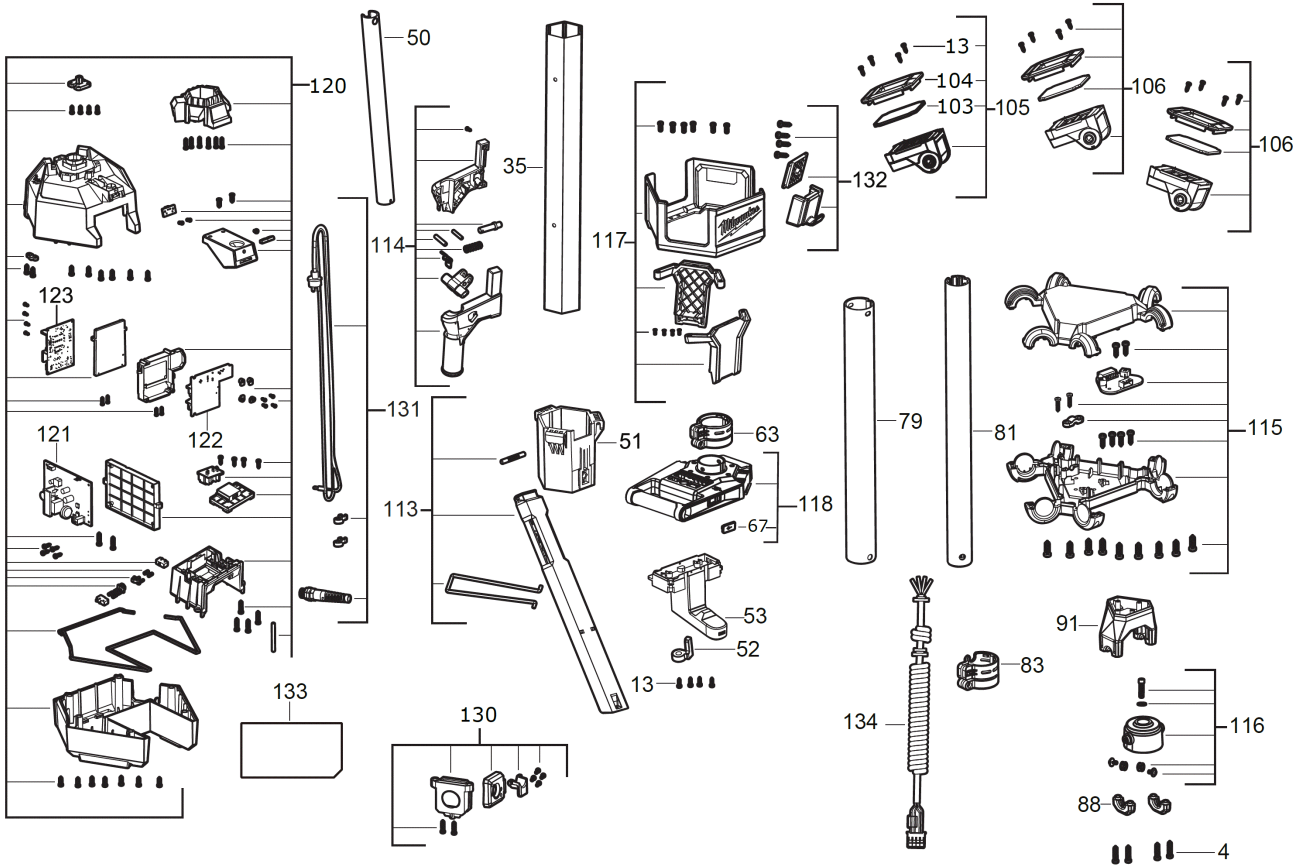


# M18HOSALC-0 HG.O.STAND A.LT.CHARGER IN2

4933478116 - M18HOSALC-0 - 4000481010





Position	Quantity	Description	Part number	EAN
0004	4	SCREW	4931473933	4058546365011
0013	15	SCREW	4931473934	4058546365028
0035	1	COLUMN	4931473935	4058546365035
0050	1	TUBE	4931473936	4058546365042
0051	1	FASTENING PARTS	4931473937	4058546365059
0052	1	COVER	4931473938	4058546365066
0053	1	FASTENING PARTS	4931473939	4058546365073
0063	1	ADJUSTING LOCK	4931473940	4058546365080
0067	1	COVER	4931473941	4058546365097
0079	1	TUBE	4931473942	4058546365103
0081	1	TUBE	4931473943	4058546365110
0083	1	ADJUSTING LOCK	4931473944	4058546365127
0088	2	COVER	4931473945	4058546365134
0091	1	HOLDER	4931473946	4058546365141
0103	3	LENS	4931473947	4058546365158
0104	3	COVER	4931473948	4058546365165
0105	1	LAMP	4931473949	4058546365172
0106	2	LAMP	4931473950	4058546365189
0113	3	KIT	4931473951	4058546365196
0114	1	HANDLE	4931473952	4058546365202
0115	1	HOUSING COVER	4931473953	4058546365219
0116	1	MOUNTING CAP	4931473954	4058546365226
0117	1	KIT	4931473955	4058546365233
0118	1	ASSEMBLY KIT	4931473956	4058546365240
0120	1	BASE PLATE	4931473957	4058546365257
0121	1	ELECTRONIC	4931473958	4058546365264
0122	1	ELECTRONIC	4931473959	4058546365271
0123	1	ELECTRONIC	4931473960	4058546365288
0130	1	TERMINAL PLUG	4931473961	4058546365295
0131	1	POWER CORD	4931473966	4058546365349
0132	1	HOLDER	4931473963	4058546365318
0133	1	RATING PLATE	4931473967	4058546365356
0134	1	WIRE	4931473965	4058546365332