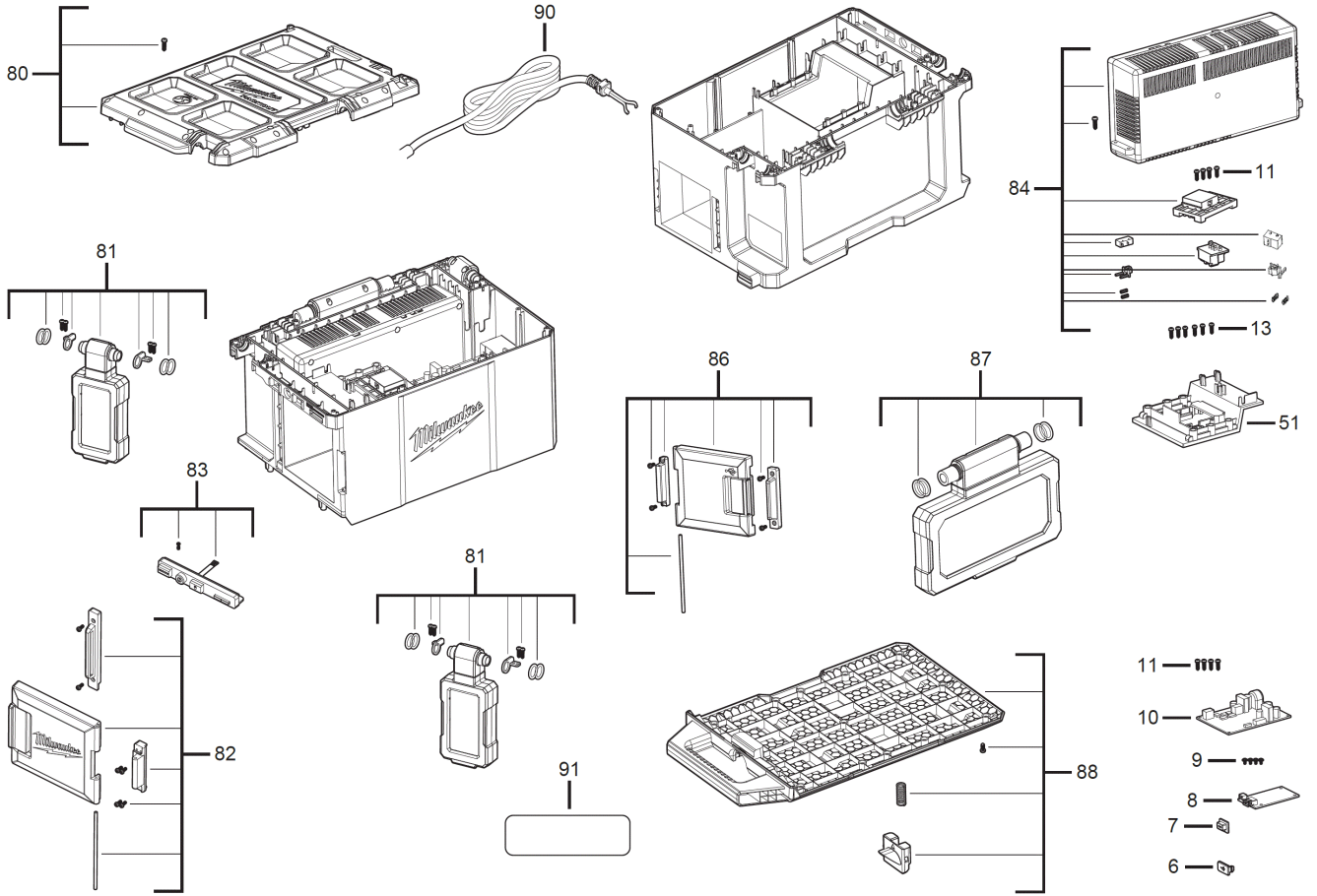


M18POALC-0 PACKOUT AREA Lt. CHARGER IN2

4933478120 - M18POALC-0 - 4000481022





Position	Quantity	Description	Part number	EAN
0006	1	COVER	4931473804	4058546363727
0007	1	BUTTON	4931473805	4058546363734
0008	1	ELECTRONIC	4931473806	4058546363741
0009	4	SCREW	4931473807	4058546363758
0010	1	ELECTRONIC ELEMENT	4931473808	4058546363765
0011	8	SCREW	4931473809	4058546363772
0013	6	SCREW	4931473810	4058546363789
0051	1	TERMINAL PLUG	4931473811	4058546363796
0080	1	LID	4931473812	4058546363802
0081	2	SERVICE-KIT	4931473813	4058546363819
0082	1	SERVICE-KIT	4931473814	4058546363826
0083	1	SERVICE KIT	4931473815	4058546363833
0084	1	SERVICE KIT	4931473816	4058546363840
0086	1	SERVICE-KIT	4931473817	4058546363857
0087	1	SERVICE KIT	4931473818	4058546363864
0088	1	SERVICE-KIT	4931473819	4058546363871
0090	1	POWER CORD	4931473822	4058546363901
0091	1	RATING PLATE	4931473823	4058546363918