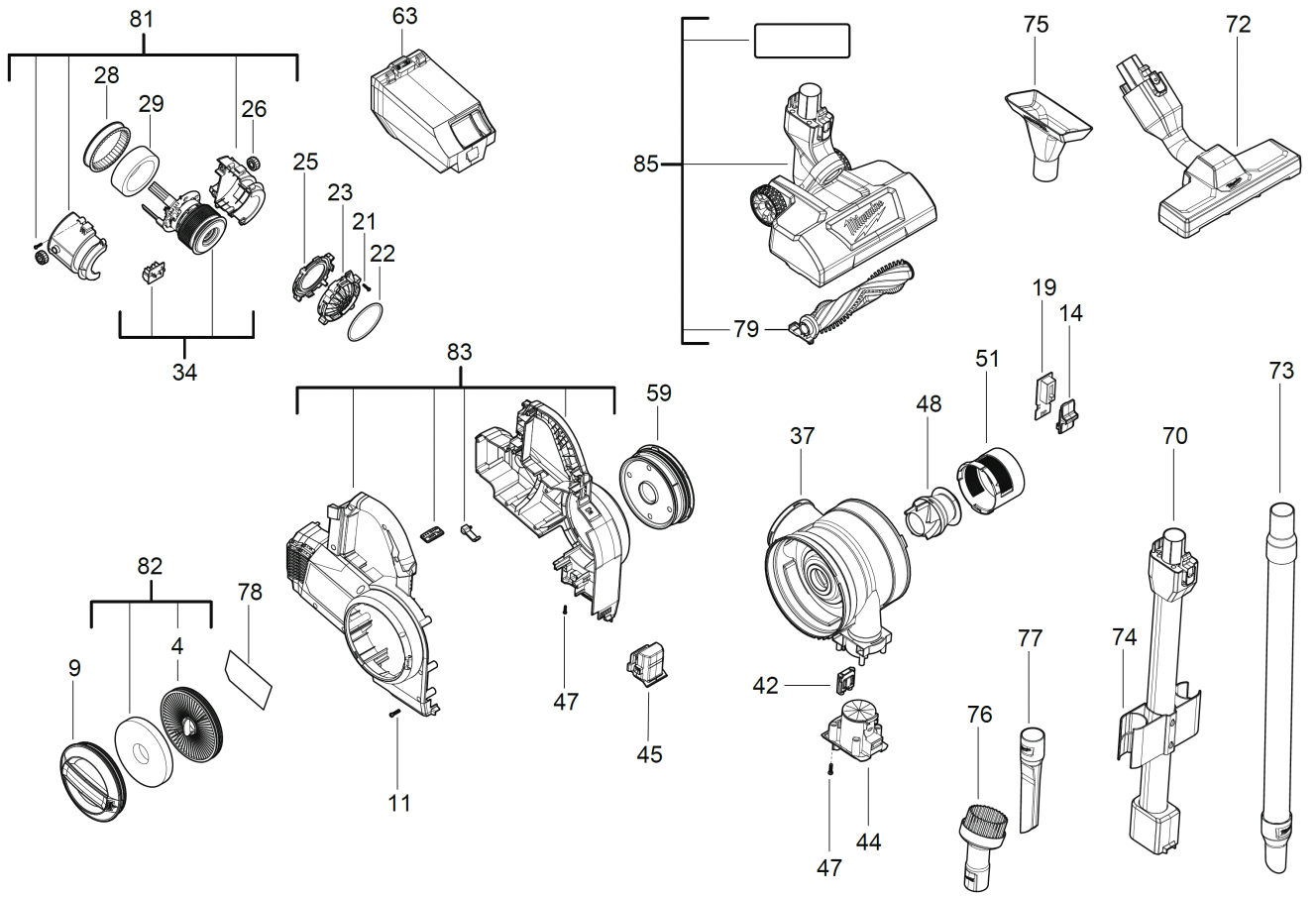


# M18FCVL-0 M18 Fuel Compact Vac. XXX

4933478185 - M18FCVL-0 - 4000477395





Position	Quantity	Description	Part number	EAN
0004	1	FILTER	4931477209	4058546368272
0009	1	COVER	4931473968	4058546365363
0011	13	SCREW	4931473969	4058546365370
0014	1	PUSH-BUTTON	4931473970	4058546365387
0019	1	ELECTRONIC	4931473971	4058546365394
0021	4	SCREW	4931473972	4058546365400
0022	1	O-RING	4931473973	4058546365417
0023	1	MOTOR HOUSING	4931473974	4058546365424
0025	1	SEAL	4931473975	4058546365431
0026	2	SLEEVE	4931473976	4058546365448
0028	1	COVERING RING	4931473977	4058546365455
0029	1	FILTER	4931473978	4058546365462
0034	1	ELECTRONIC	4931473979	4058546365479
0037	1	ABSOLUTE UNIT	4931473980	4058546365486
0042	1	PLUG SOCKET	4931473981	4058546365493
0044	1	WALL SOCKET	4931473982	4058546365509
0045	1	SWITCH BUTTON	4931473983	4058546365516
0047	6	SCREW	4931473984	4058546365523
0048	1	PLANET WHEEL	4931473985	4058546365530
0051	1	HOUSING	4931473986	4058546365547
0059	1	HOUSING LEFT	4931473987	4058546365554
0063	1	TANK	4931473988	4058546365561
0070	1	GUIDE TUBE	4931473989	4058546365578
0072	1	FLOOR TOOL	4931473990	4058546365585
0073	1	HOSE	4931473991	4058546365592
0074	1	HOLDER	4931473992	4058546365608
0075	1	NOZZLE	4931473993	4058546365615
0076	1	NOZZLE	4931473994	4058546365622
0077	1	BRUSH CLEANER	4931473995	4058546365639
0078	1	RATING PLATE	4931473996	4058546365646
0079	1	GUIDE	4931473997	4058546365653
0081	1	MOTOR HOUSING	4931473998	4058546365660
0082	1	Dry Filter HEPA M18 FCVL replacement	4932478814	4058546360962
0083	1	HOUSING	4931473999	4058546365677
0085	1	ADAPTOR	4931479000	4058546365684